



US00D628131S

(12) **United States Design Patent**
Hu

(10) **Patent No.:** **US D628,131 S**

(45) **Date of Patent:** **** Nov. 30, 2010**

(54) **LICENSE PLATE FRAME**

(76) Inventor: **Ming-Liang Hu**, No. 129, Lane 523,
Sec. 3, Chung Cheng Rd., Jen Te
Township, Tainan Hsien (TW)

(**) Term: **14 Years**

(21) Appl. No.: **29/365,198**

(22) Filed: **Jul. 6, 2010**

(51) **LOC (9) Cl.** **12-16**

(52) **U.S. Cl.** **D12/193**

(58) **Field of Classification Search** D12/193;
D6/300-30, 310-314; 40/200-204, 207-214;
362/497, 473, 327, 604; D20/13
See application file for complete search history.

(56) **References Cited**

U.S. PATENT DOCUMENTS

D453,491 S *	2/2002	Schmitz	D12/193
D473,503 S *	4/2003	Byrne	D12/193
D601,478 S *	10/2009	Hu	D12/193
D602,832 S *	10/2009	Tharp et al.	D12/193

* cited by examiner

Primary Examiner—Stacia Cadmus

(74) *Attorney, Agent, or Firm*—Whyte Hirschboeck Dudek
SC

(57) **CLAIM**

The ornamental design for license plate frame, as shown and
described.

DESCRIPTION

FIG. 1 is a perspective view of license plate frame showing
my new design;

FIG. 2 is a front elevational view thereof;

FIG. 3 is a rear elevational view thereof;

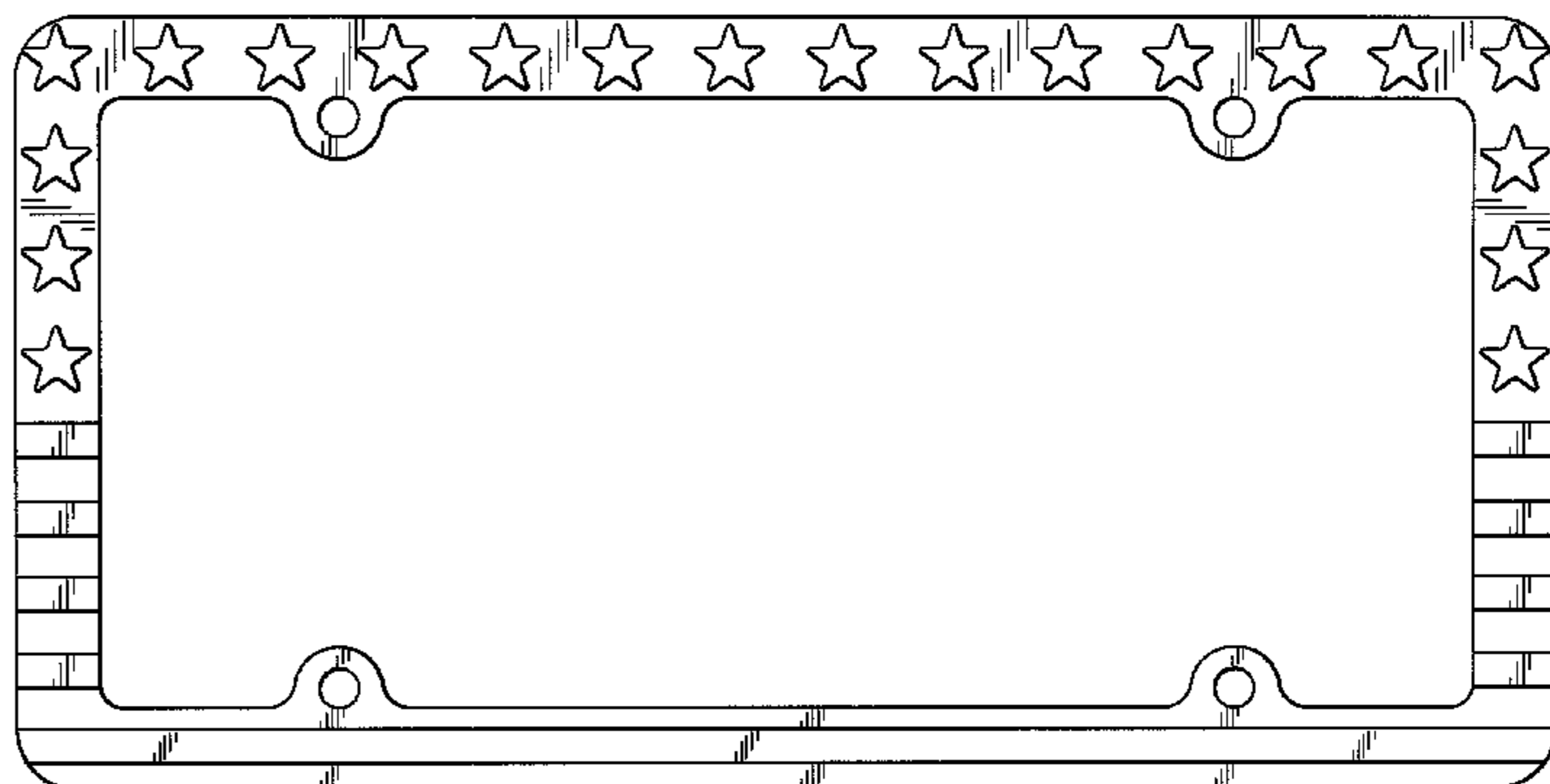
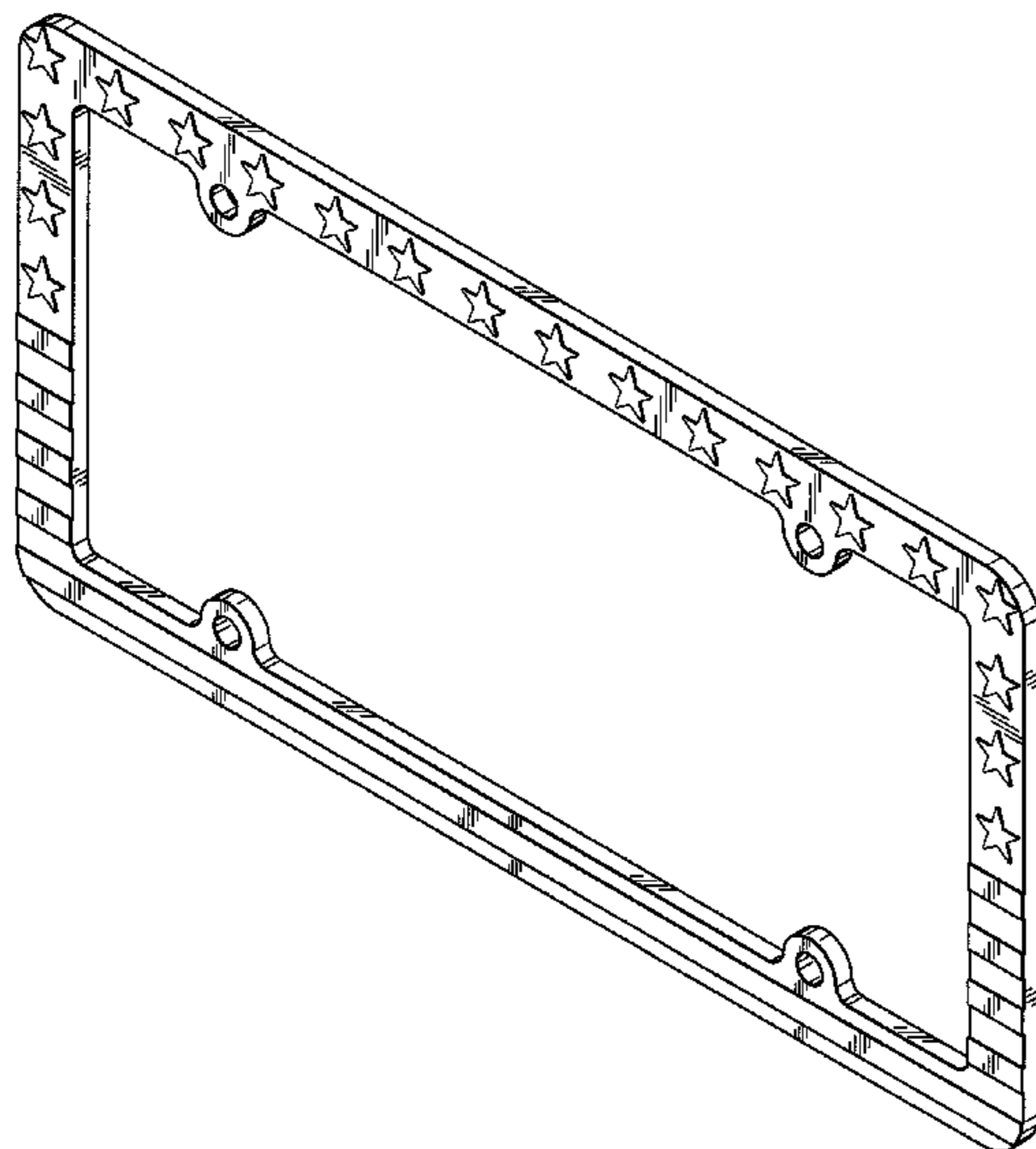
FIG. 4 is a left side elevational view thereof;

FIG. 5 is a right side elevational view thereof;

FIG. 6 is a top plan view thereof; and,

FIG. 7 is a bottom plan view thereof.

1 Claim, 5 Drawing Sheets



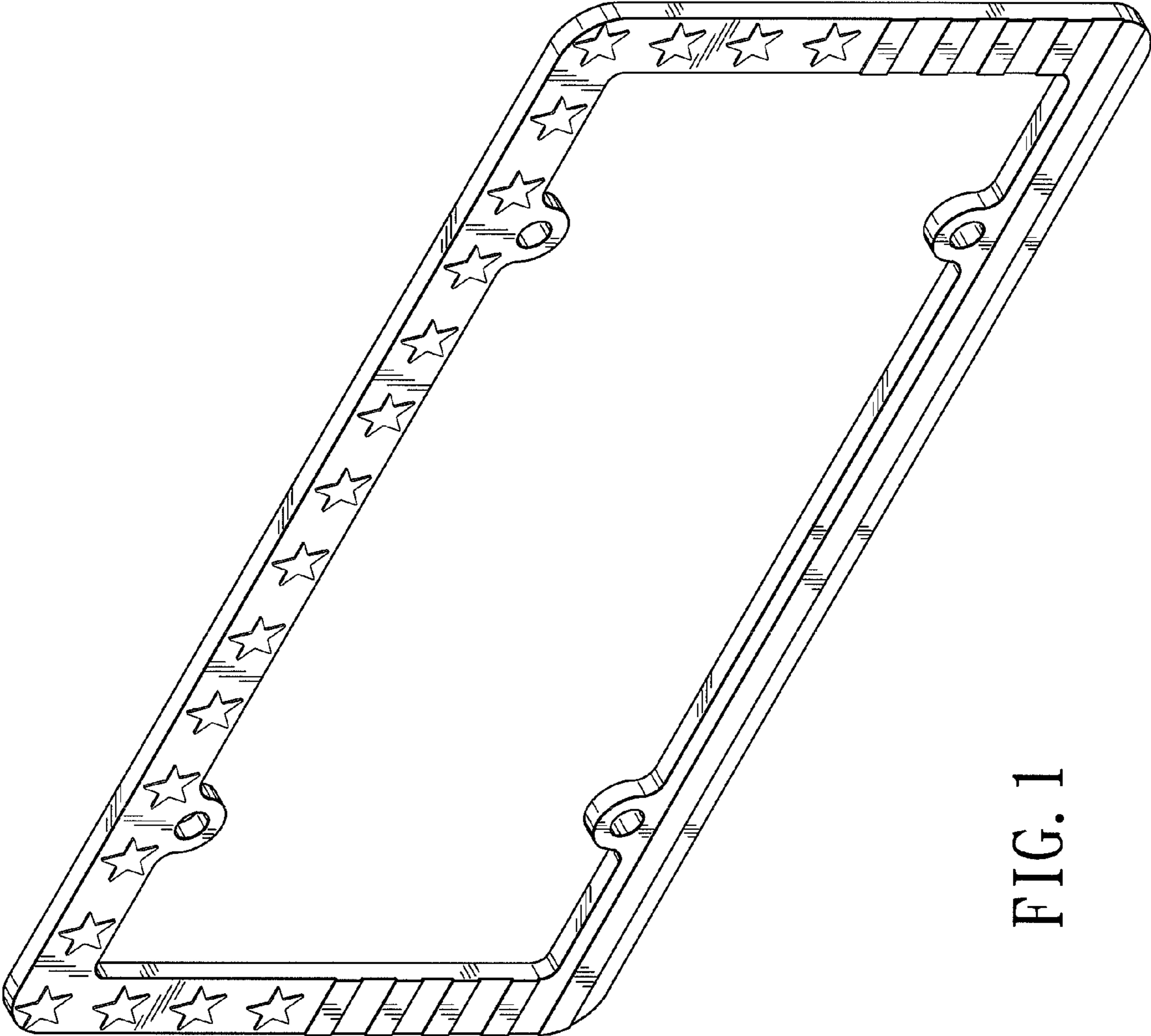


FIG. 1

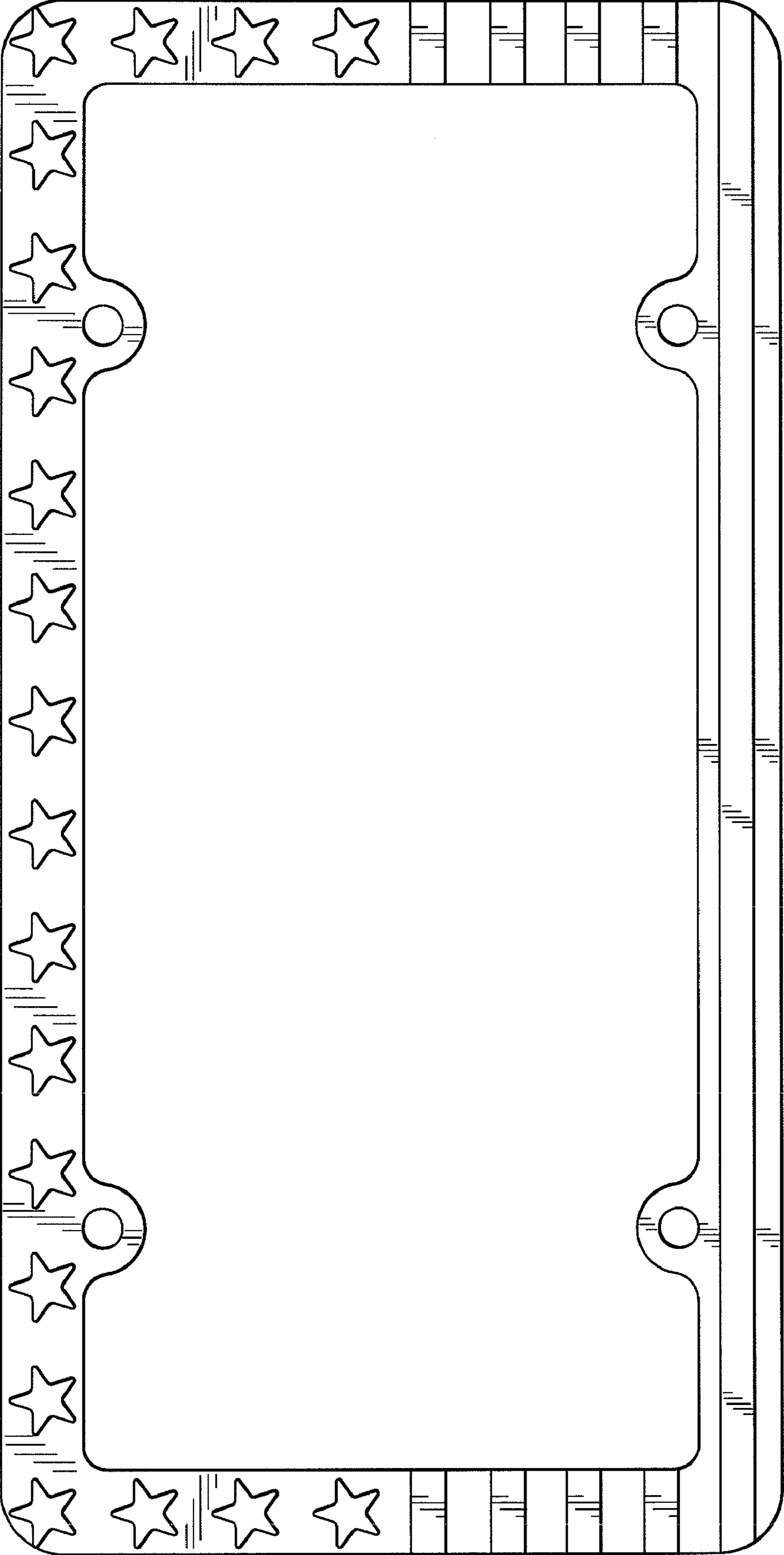


FIG. 2

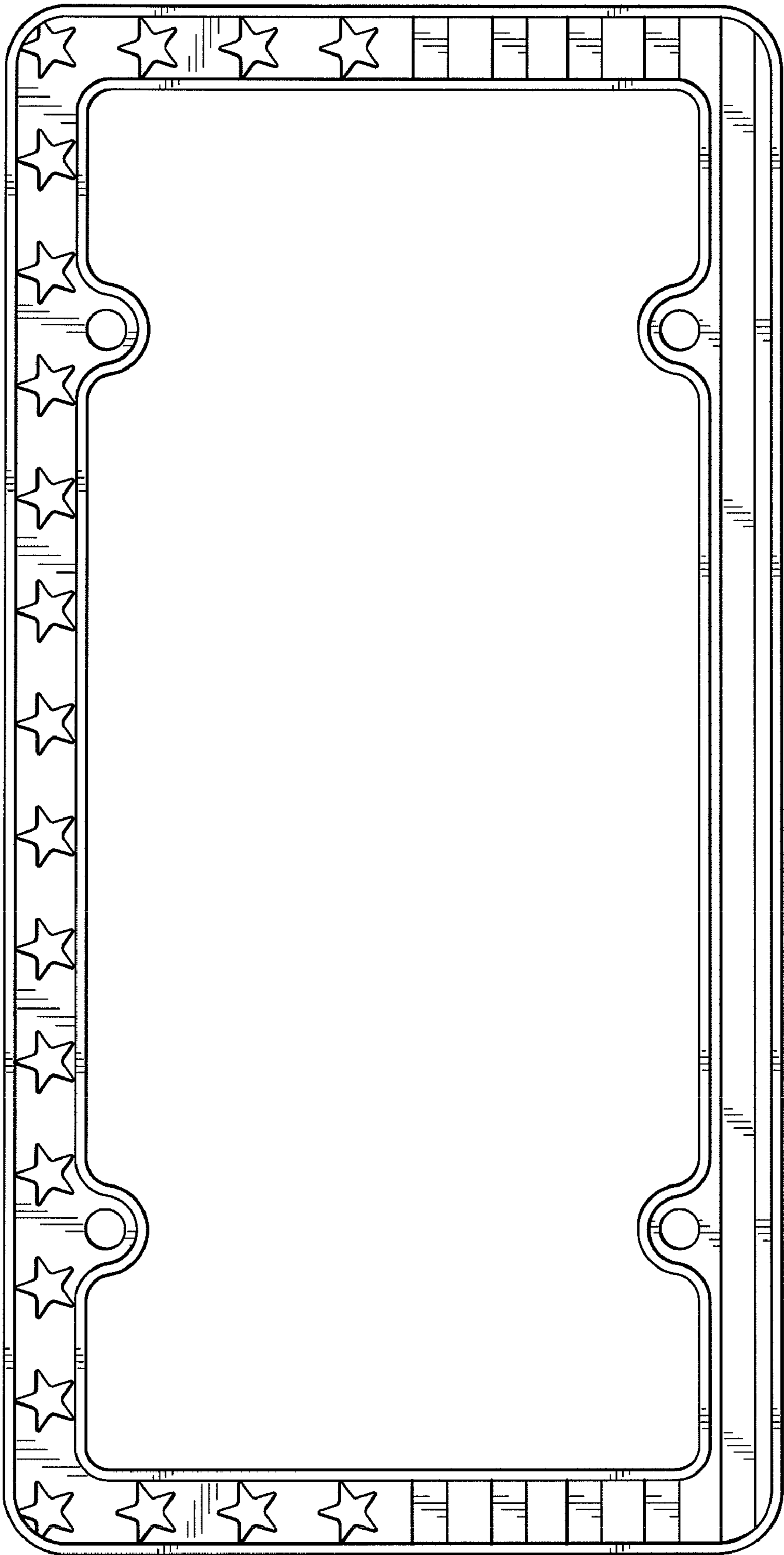


FIG. 3

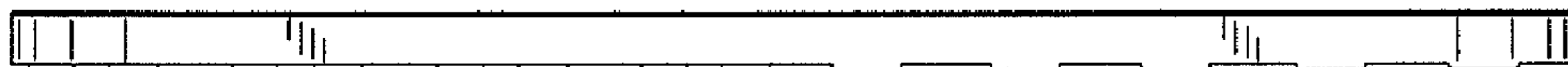


FIG. 5



FIG. 4



FIG. 6



FIG. 7