



US00D628128S

(12) **United States Design Patent**
Sanders et al.

(10) **Patent No.:** **US D628,128 S**

(45) **Date of Patent:** **** Nov. 30, 2010**

(54) **PROTECTIVE TRAILER HITCH COVER**

7,467,804 B2 * 12/2008 Ezra 280/506
D596,539 S * 7/2009 Ezra D12/162

(76) Inventors: **Andrew Michael Sanders**, 1685 W.
Wagonwheel Rd., Cottonwood, AZ (US)
86326; **Jeffrey Wayne Macey**, 2313
Grant St., Vancouver, WA (US) 98660

* cited by examiner

Primary Examiner—Celia Murphy

Assistant Examiner—John Windmuller

(74) *Attorney, Agent, or Firm*—Mark S. Hubert

(**) Term: **14 Years**

(21) Appl. No.: **29/354,795**

(22) Filed: **Jan. 28, 2010**

(51) **LOC (9) Cl.** **12-16**

(52) **U.S. Cl.** **D12/162**

(58) **Field of Classification Search** D12/162,
D12/400; 280/504–507, 511, 495; 293/117;
150/166

See application file for complete search history.

(56) **References Cited**

U.S. PATENT DOCUMENTS

D313,965	S	*	1/1991	Sluss, Jr.	D12/162
D372,892	S	*	8/1996	McCoy et al.	D12/162
5,794,961	A	*	8/1998	Niswanger	280/507
D425,833	S	*	5/2000	Robinson	D12/162
6,105,989	A	*	8/2000	Linger	280/506
6,142,502	A	*	11/2000	Breslin	280/506
D450,231	S	*	11/2001	Niswanger	D8/330
D463,346	S	*	9/2002	Pancheri et al.	D12/203
D540,222	S	*	4/2007	Goettker	D12/162
D553,056	S	*	10/2007	Eberle	D12/162
D563,838	S	*	3/2008	McCowan	D12/162
D575,684	S	*	8/2008	Falconer et al.	D12/162

(57) **CLAIM**

The ornamental design for the protective trailer hitch cover, as shown and described.

DESCRIPTION

FIG. 1 is a left, rear perspective view of the protective trailer hitch cover;

FIG. 2 is a right, front perspective view of the protective trailer hitch cover;

FIG. 3 is a right, rear perspective view of the protective trailer hitch cover;

FIG. 4 is a left, front perspective view of the protective trailer hitch cover;

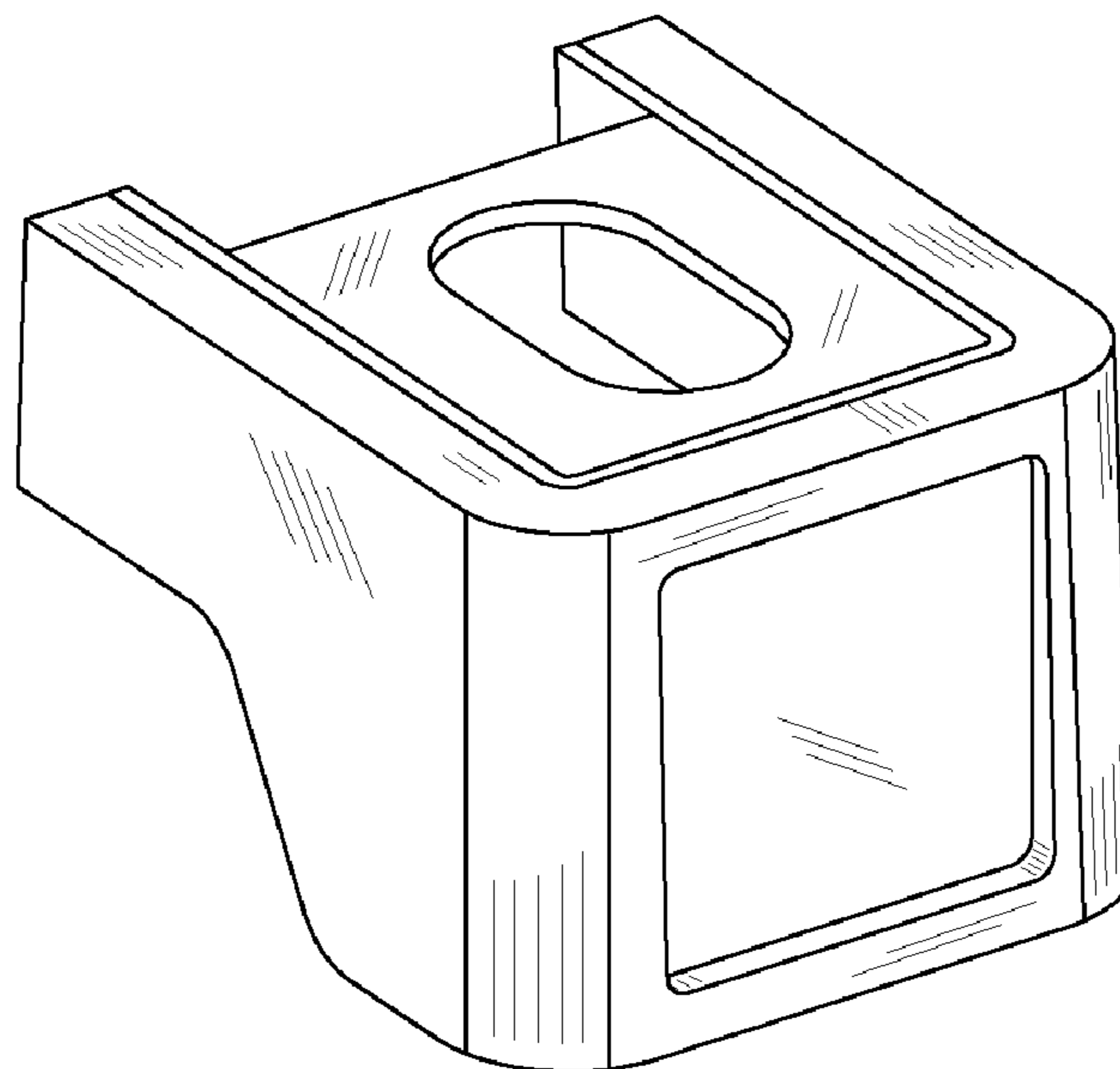
FIG. 5 is a bottom perspective view of the protective trailer hitch cover;

FIG. 6 is a top view of the protective trailer hitch cover; the bottom view being an identical image thereof;

FIG. 7 is a left side view of the protective trailer hitch cover; the right side view being a mirror thereof; and,

FIG. 8 is a front view of the protective trailer hitch cover.

1 Claim, 4 Drawing Sheets



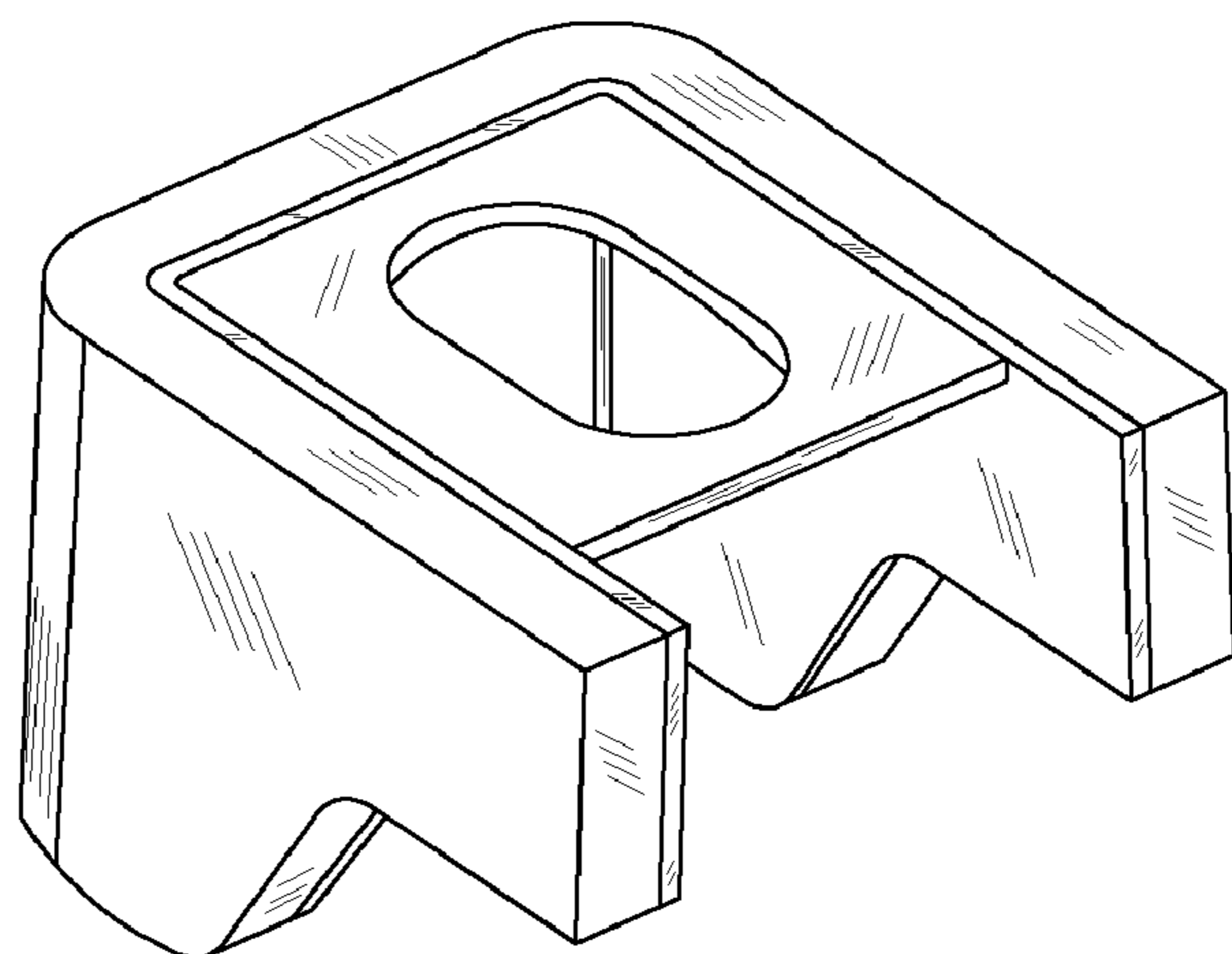


FIG. 1

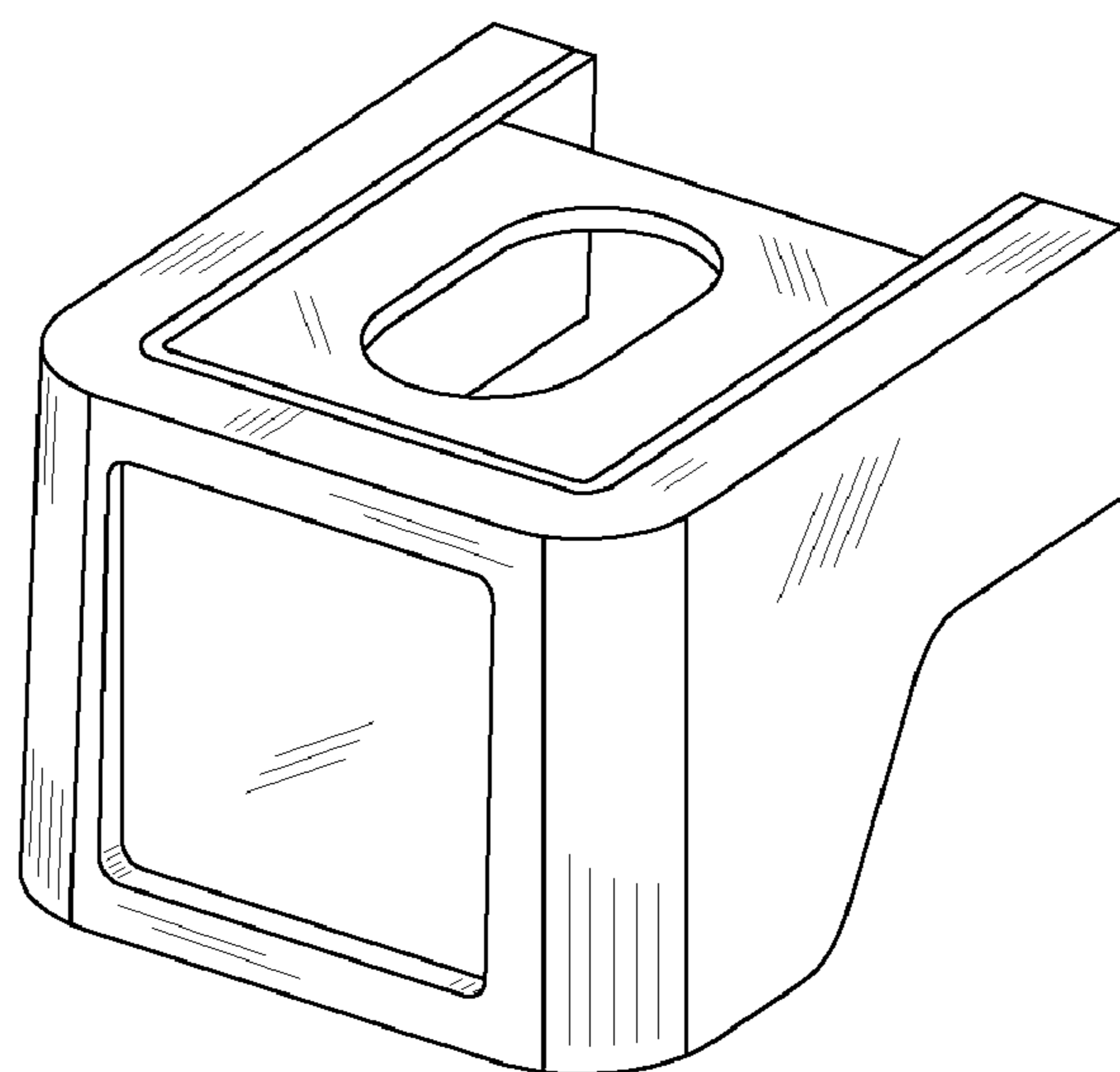


FIG. 2

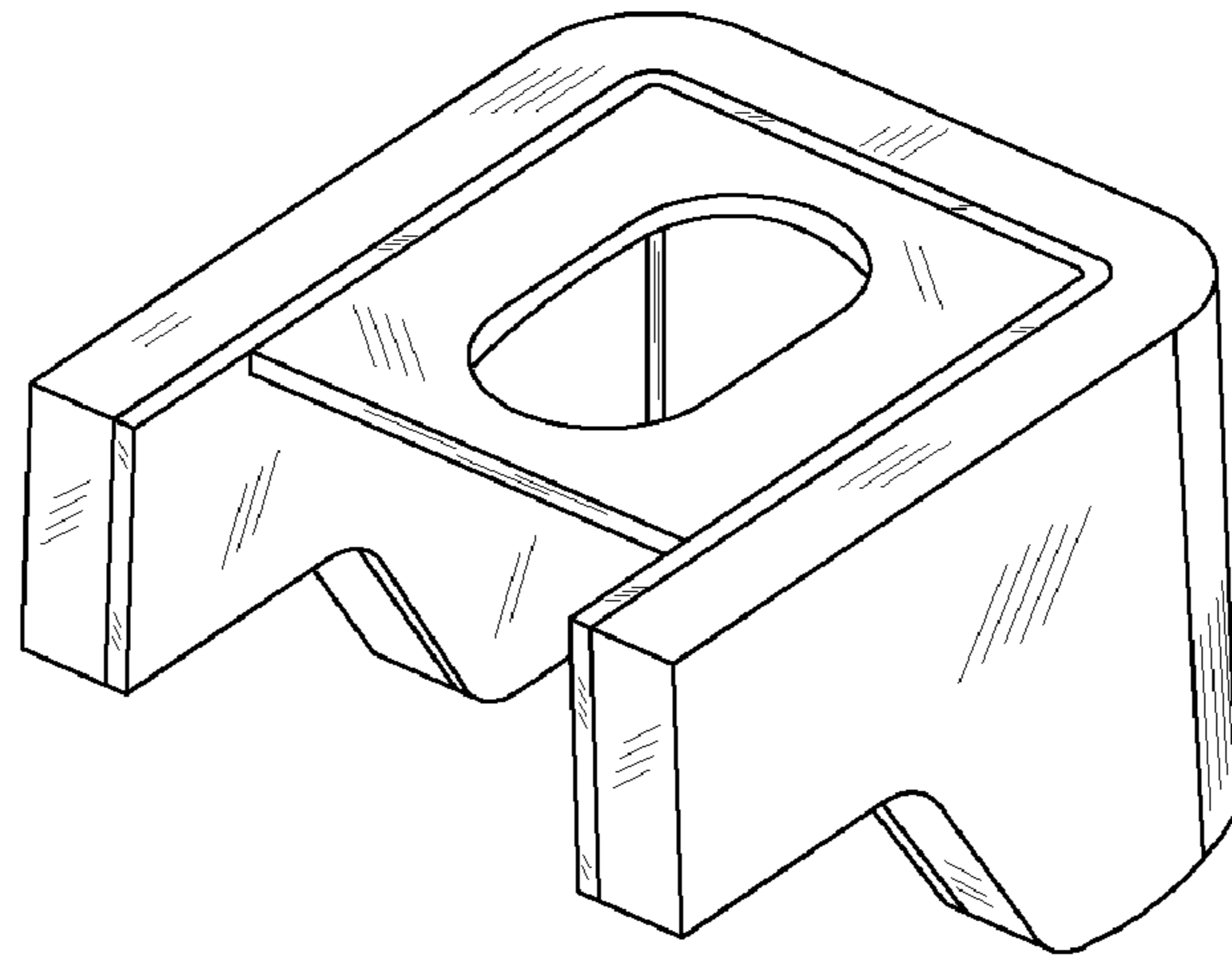


FIG. 3

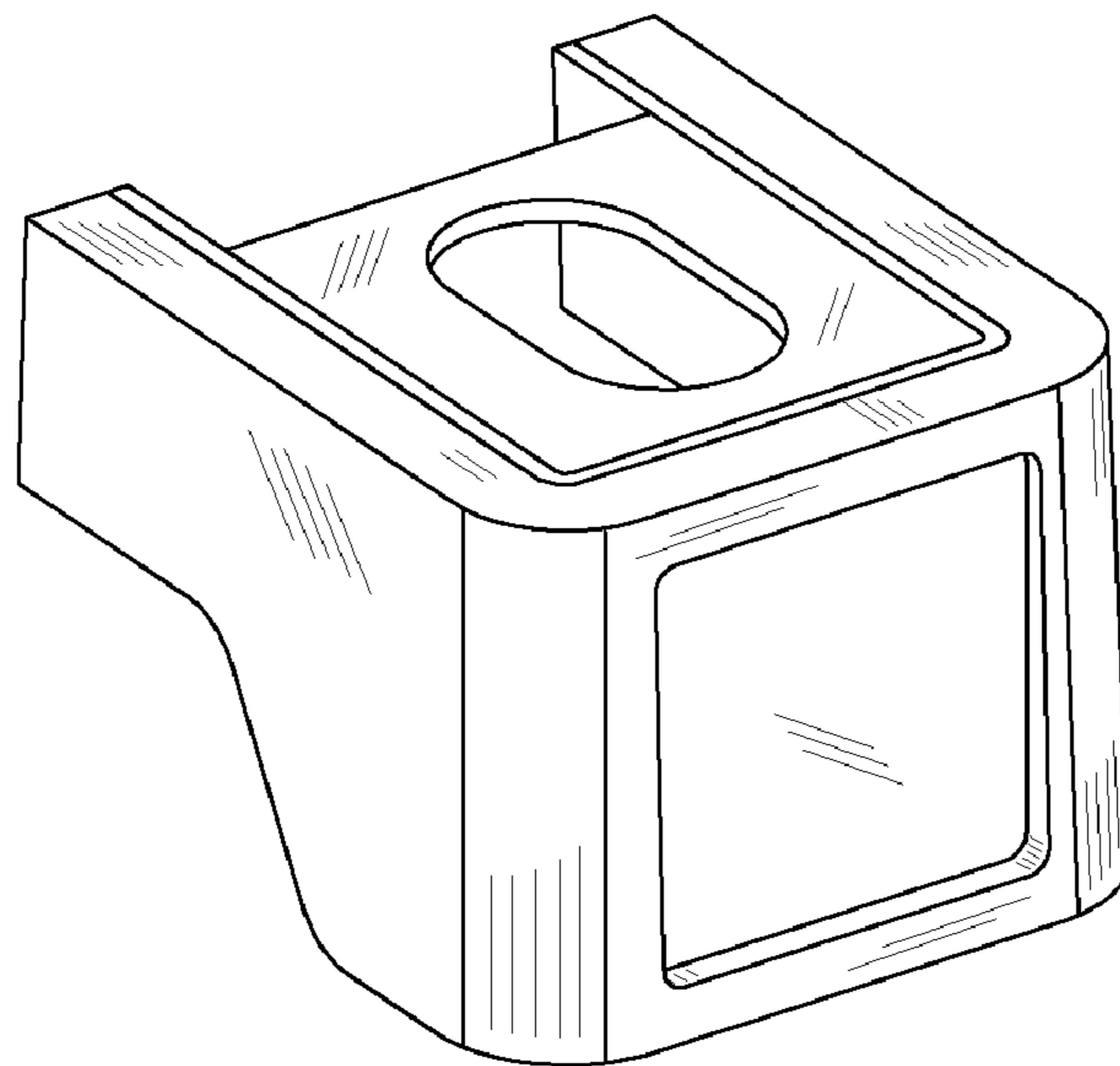


FIG. 4

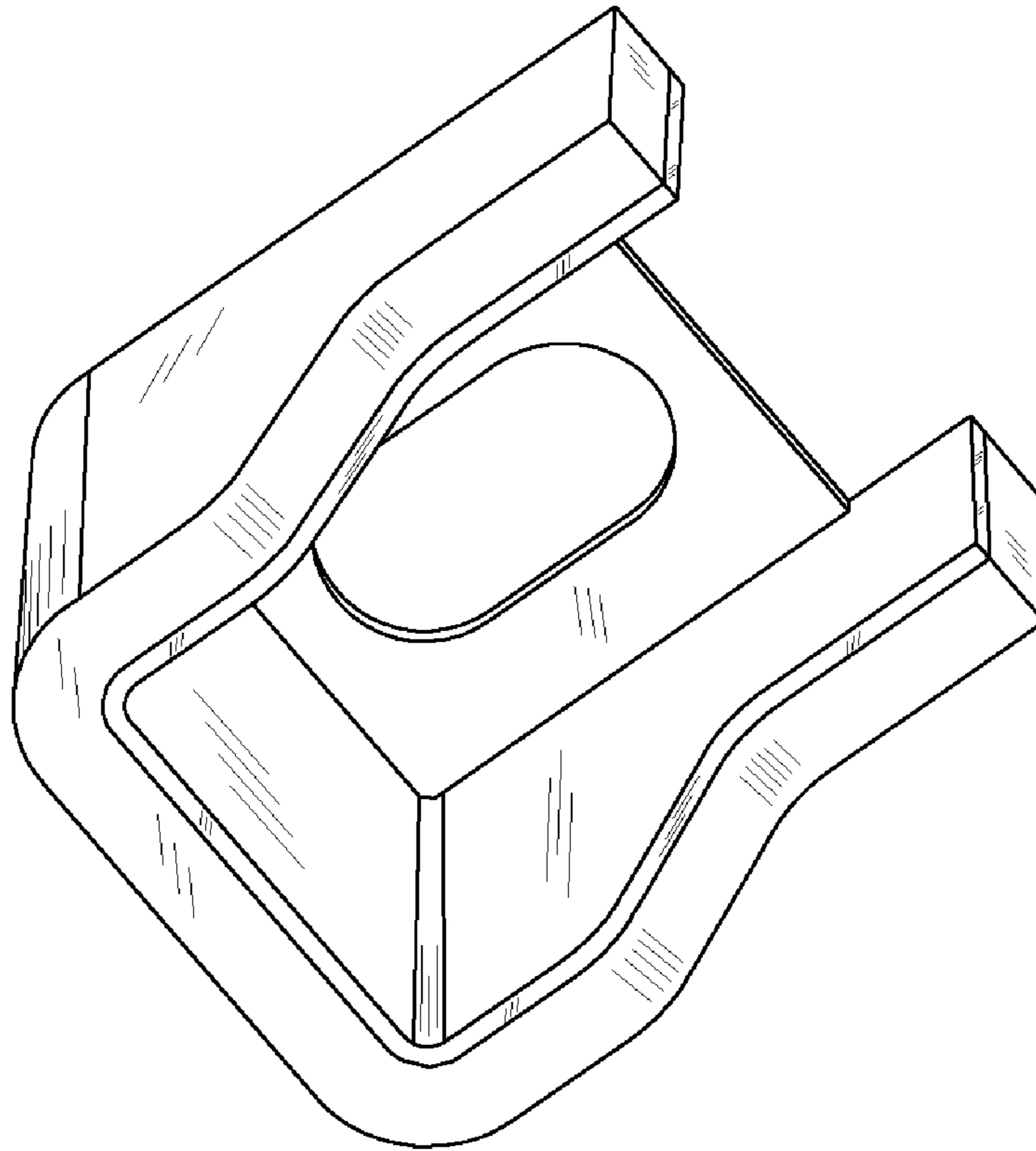


FIG. 5

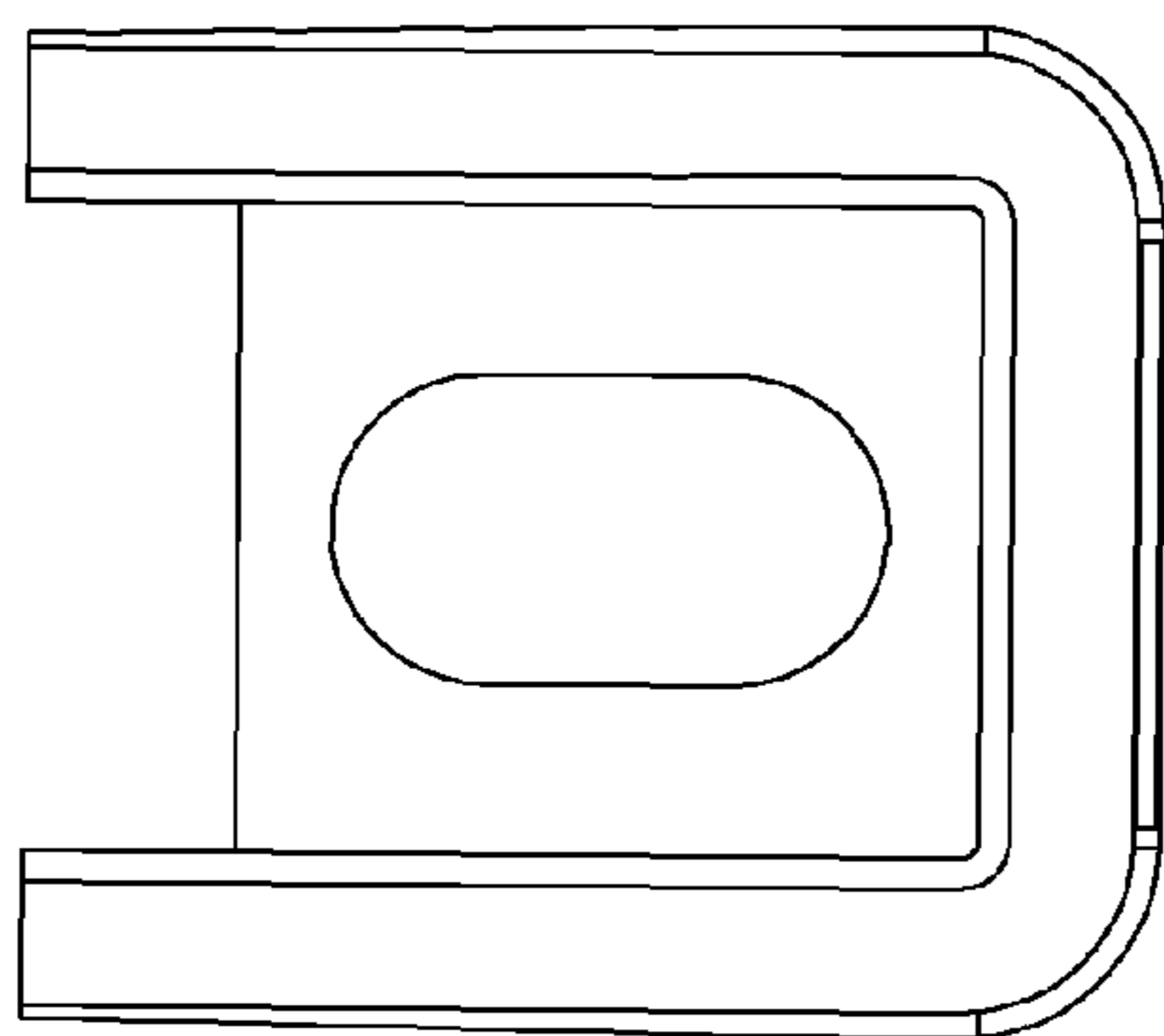


FIG. 6

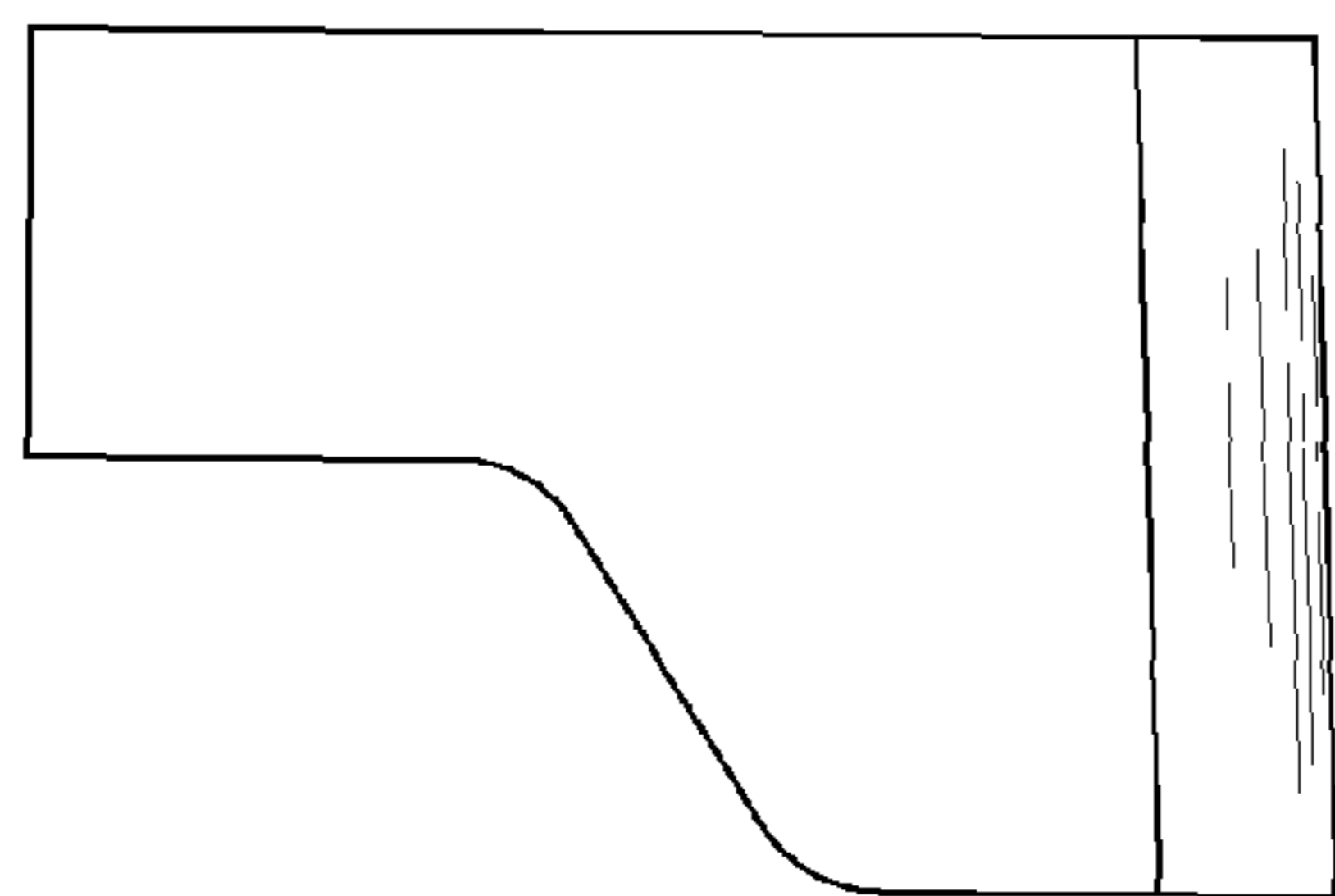


FIG. 7

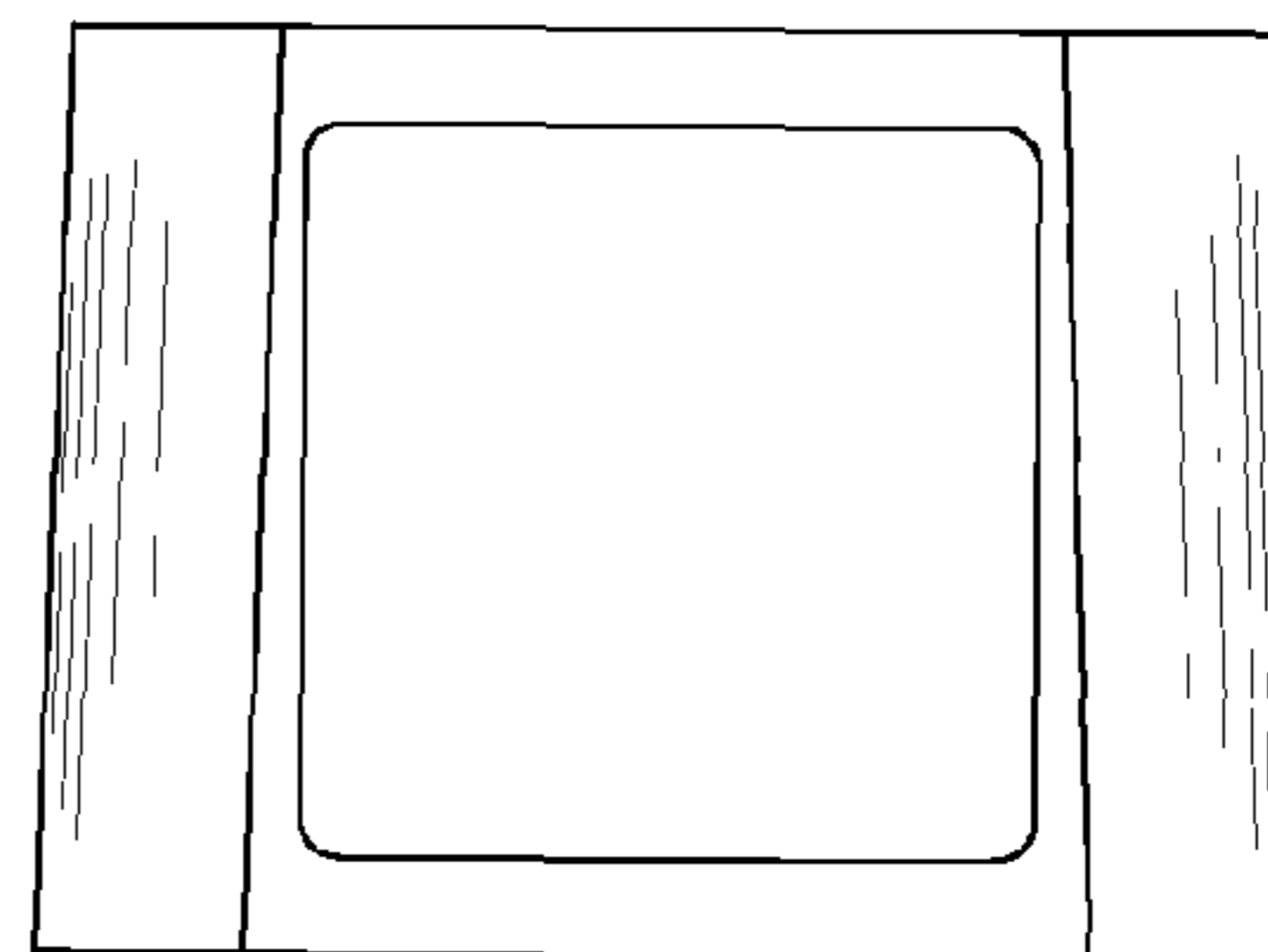


FIG. 8