



US00D628127S

(12) **United States Design Patent**
LeBlanc

(10) **Patent No.:** **US D628,127 S**

(45) **Date of Patent:** **** Nov. 30, 2010**

(54) **MOTORCYCLE SEAT SUPPORT BAR AND RACK ASSEMBLY**

(76) Inventor: **Maurice LeBlanc**, 895 Yount Town Rd., Thorn Hill, TN (US) 37881

(**) Term: **14 Years**

(21) Appl. No.: **29/338,929**

(22) Filed: **Jun. 20, 2009**

(51) **LOC (9) Cl.** **12-11**

(52) **U.S. Cl.** **D12/119; D12/407**

(58) **Field of Classification Search** D6/354, D6/500-502; D12/110, 114, 119, 222, 223, D12/407; 297/195.1, 196-215, 215.1-215.16, 297/353, 452.48, 283.3; 280/202, 288.4, 280/304.3-304.5, 748, 751, 756; 180/219; 224/413, 427, 418, 275, 42.11

See application file for complete search history.

(56) **References Cited**

U.S. PATENT DOCUMENTS

D223,070	S *	3/1972	Heltzen et al.	D12/407
3,850,353	A *	11/1974	Foulds	224/418
D260,251	S *	8/1981	Larose	D12/407
D265,390	S *	7/1982	Yoshida	D12/7
D272,140	S *	1/1984	Turkington et al.	D12/119
D287,348	S *	12/1986	Larson	D12/119
D332,540	S *	1/1993	Peterson	D6/502
6,390,220	B1 *	5/2002	Galbraith et al.	180/219
6,840,344	B2 *	1/2005	Galbraith et al.	180/219
D528,311	S *	9/2006	Stahel et al.	D6/354

* cited by examiner

Primary Examiner—Philip S Hyder

Assistant Examiner—Linda G. Brooks

(74) *Attorney, Agent, or Firm*—John L. DeAngelis; Beusse Wolter Sanks Mora & Maire, P.A.

(57) **CLAIM**

The ornamental design for a motorcycle seat support bar and rack assembly, as shown and described.

DESCRIPTION

FIG. 1 is a front view of the motorcycle seat support bar and rack assembly of the present invention.

FIG. 2 is a rear view of the motorcycle seat support bar and rack assembly.

FIG. 3 is a top view of the motorcycle seat support bar and rack assembly.

FIG. 4 is a bottom view of the motorcycle seat support bar and rack assembly.

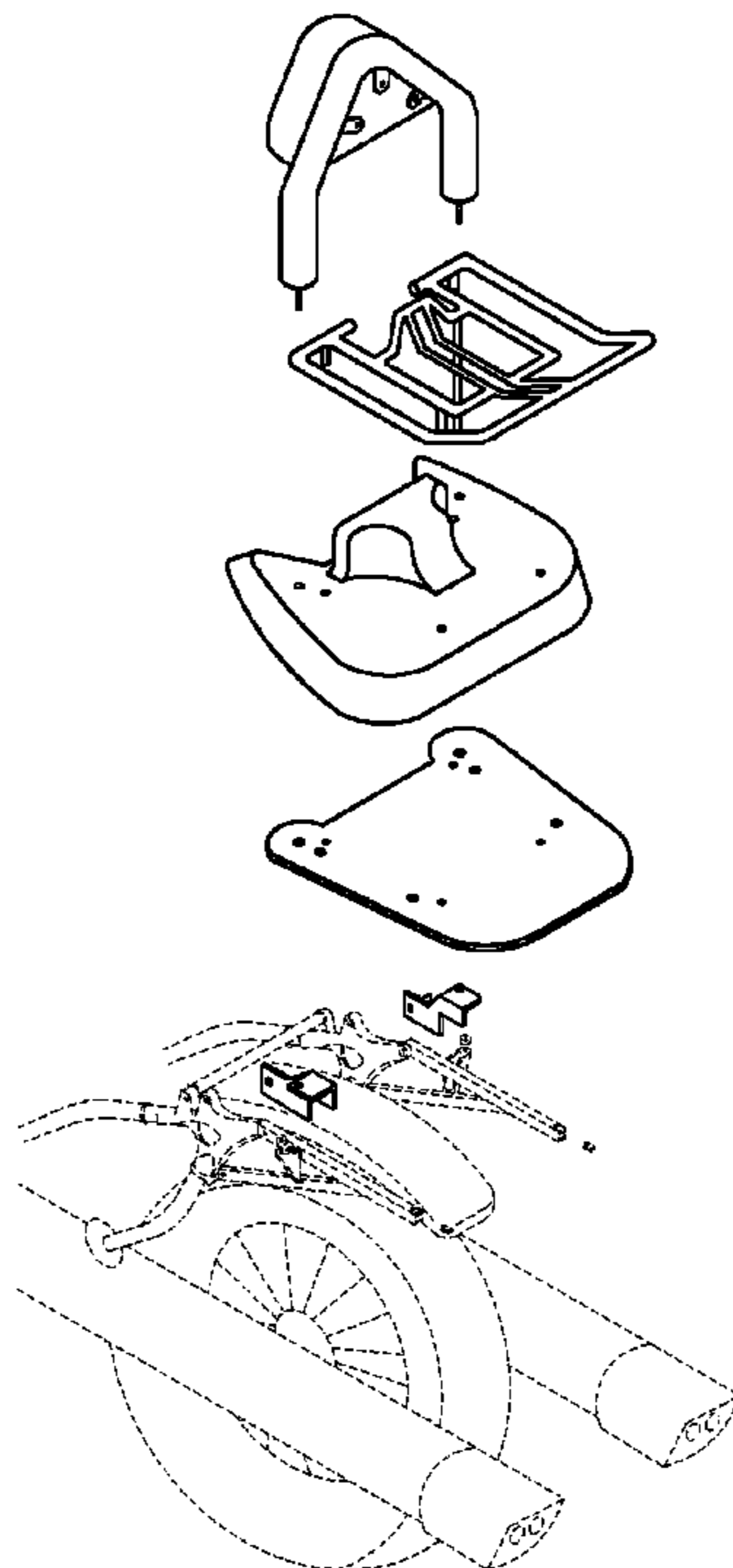
FIG. 5 is a right side view of the motorcycle seat support bar and rack assembly.

FIG. 6 is a left side view of the motorcycle seat support bar and rack assembly; and,

FIG. 7 is an exploded isometric illustration of the motorcycle seat support bar and rack assembly.

The broken lines illustrate environmental structure and form no part of the claimed design.

1 Claim, 4 Drawing Sheets



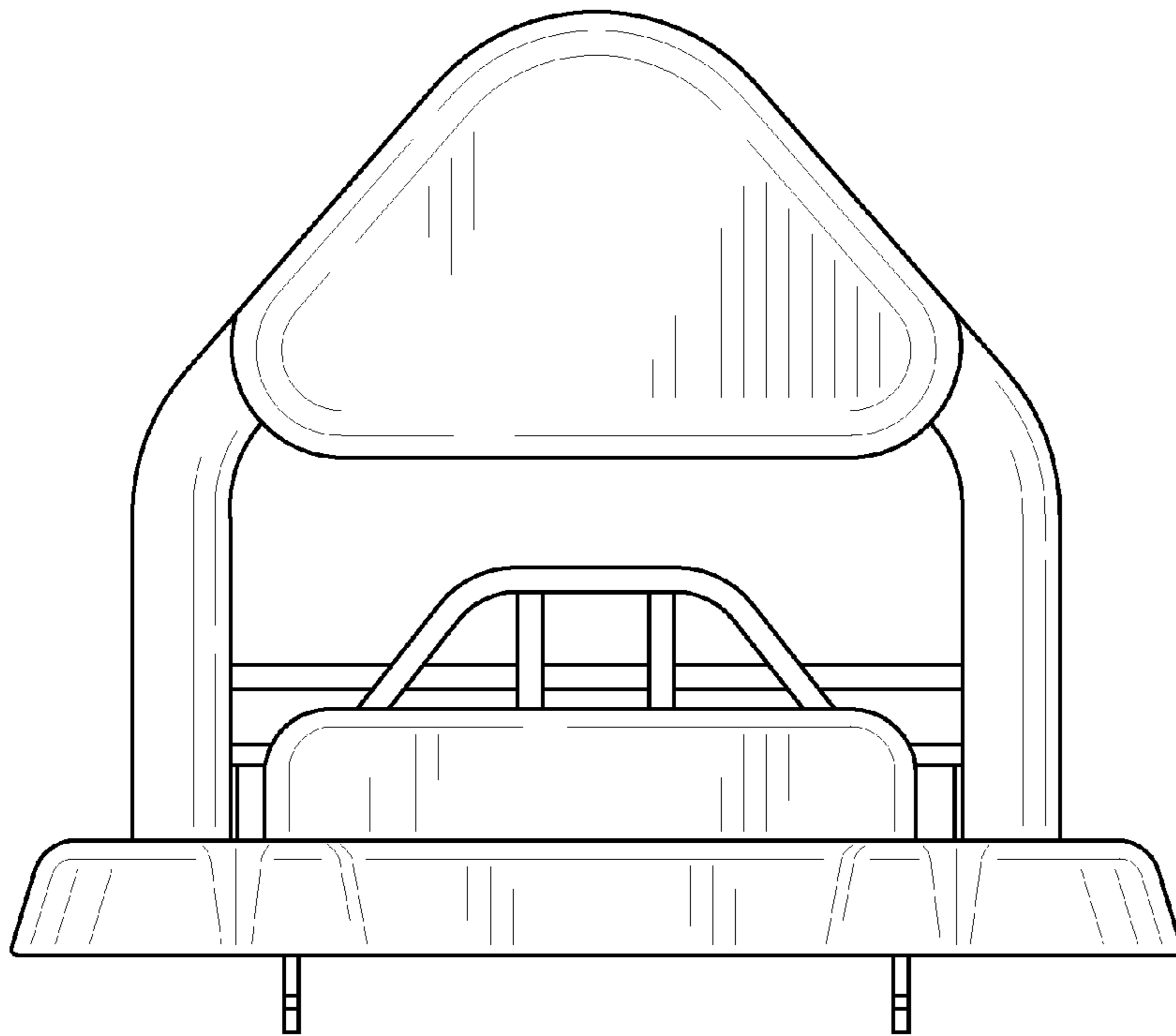


FIG. 1

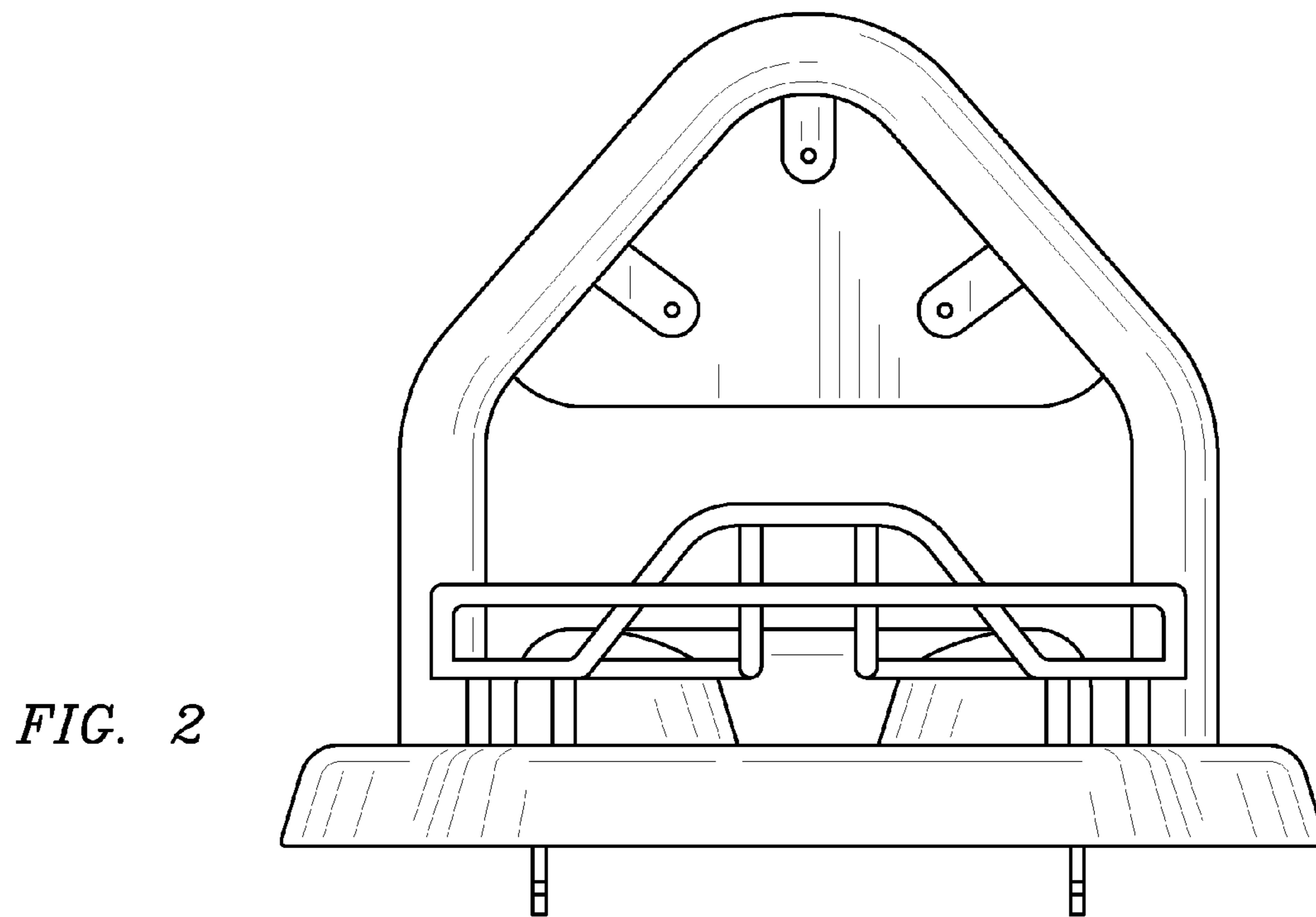


FIG. 2

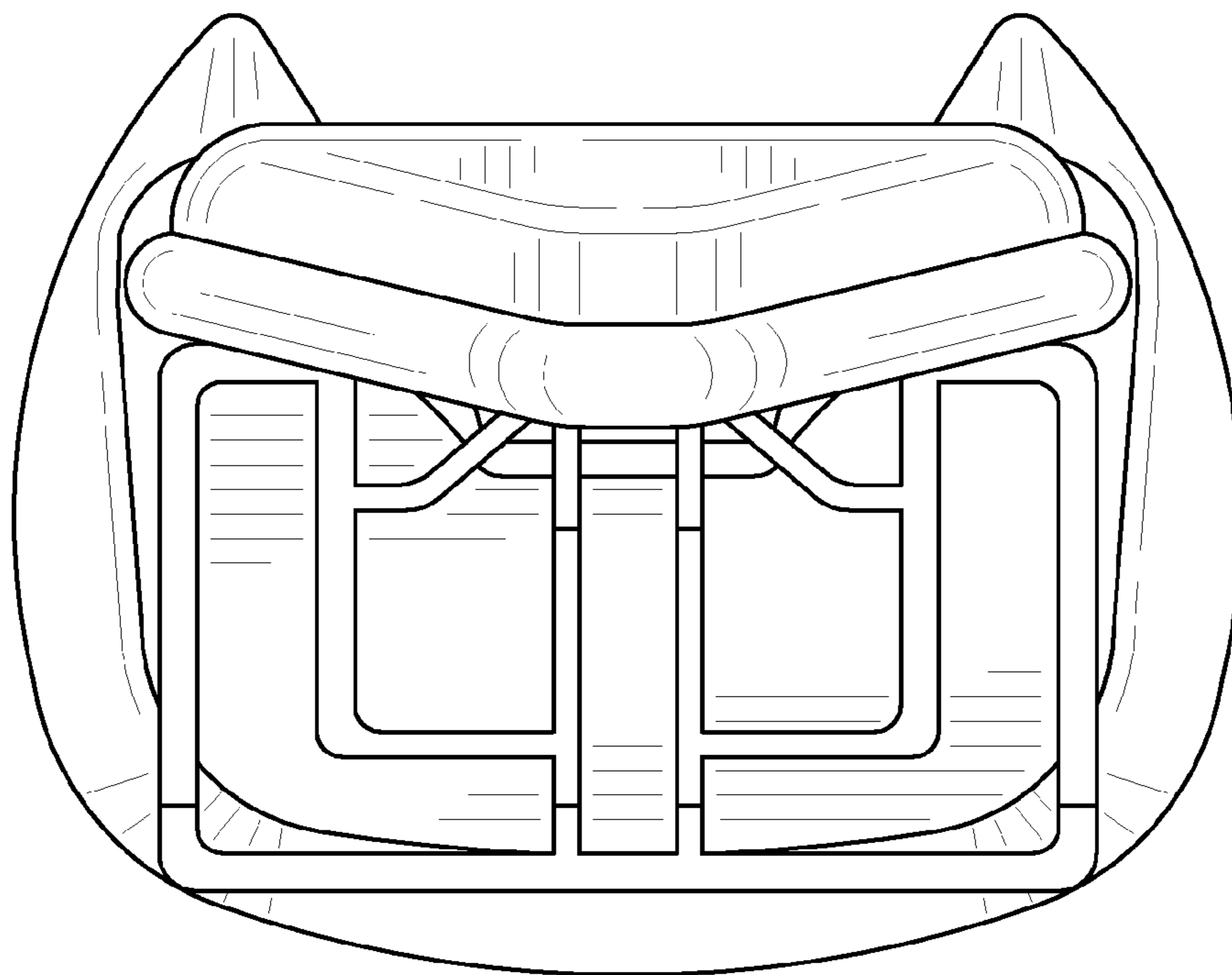


FIG. 3

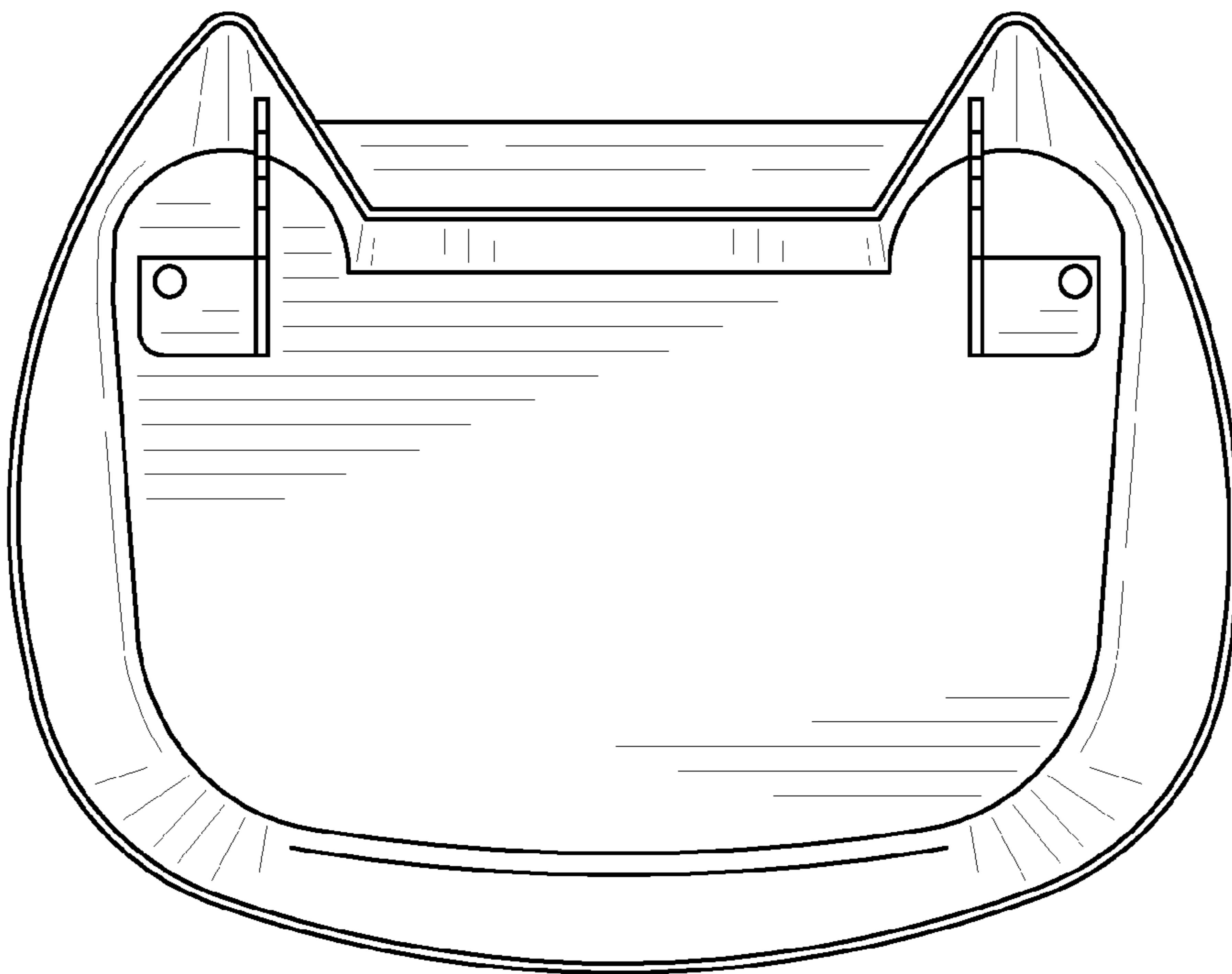


FIG. 4

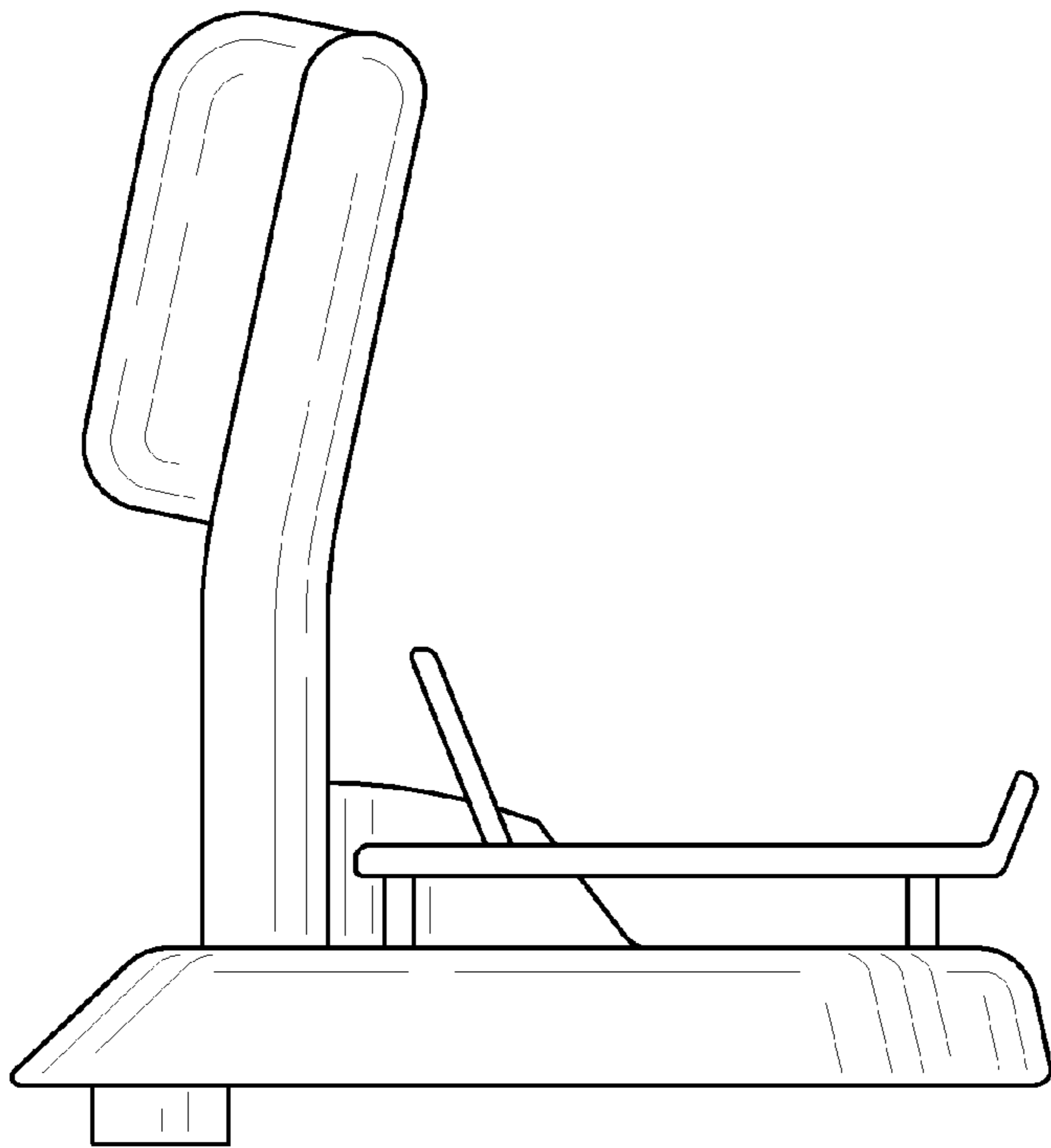


FIG. 6

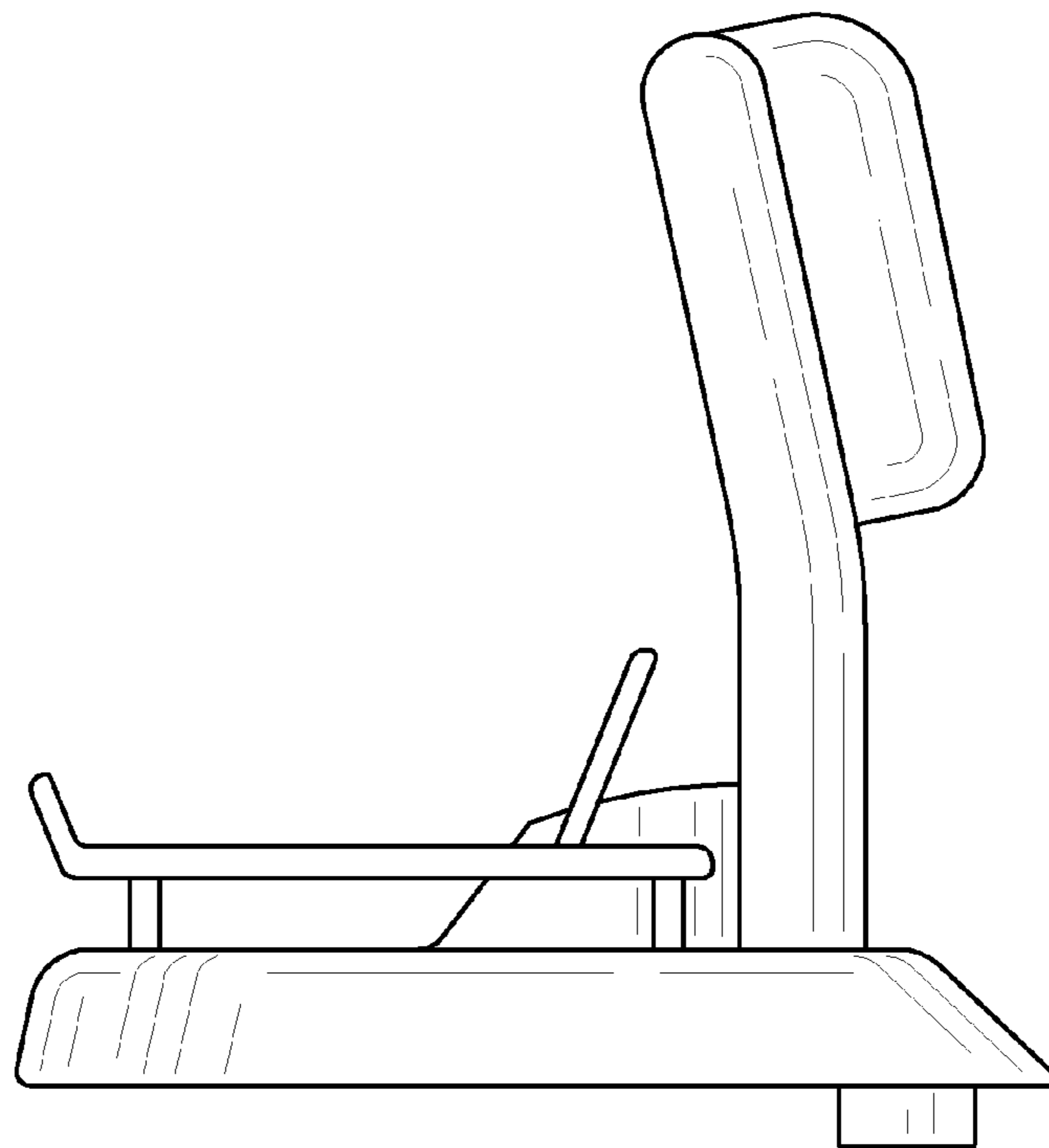


FIG. 5

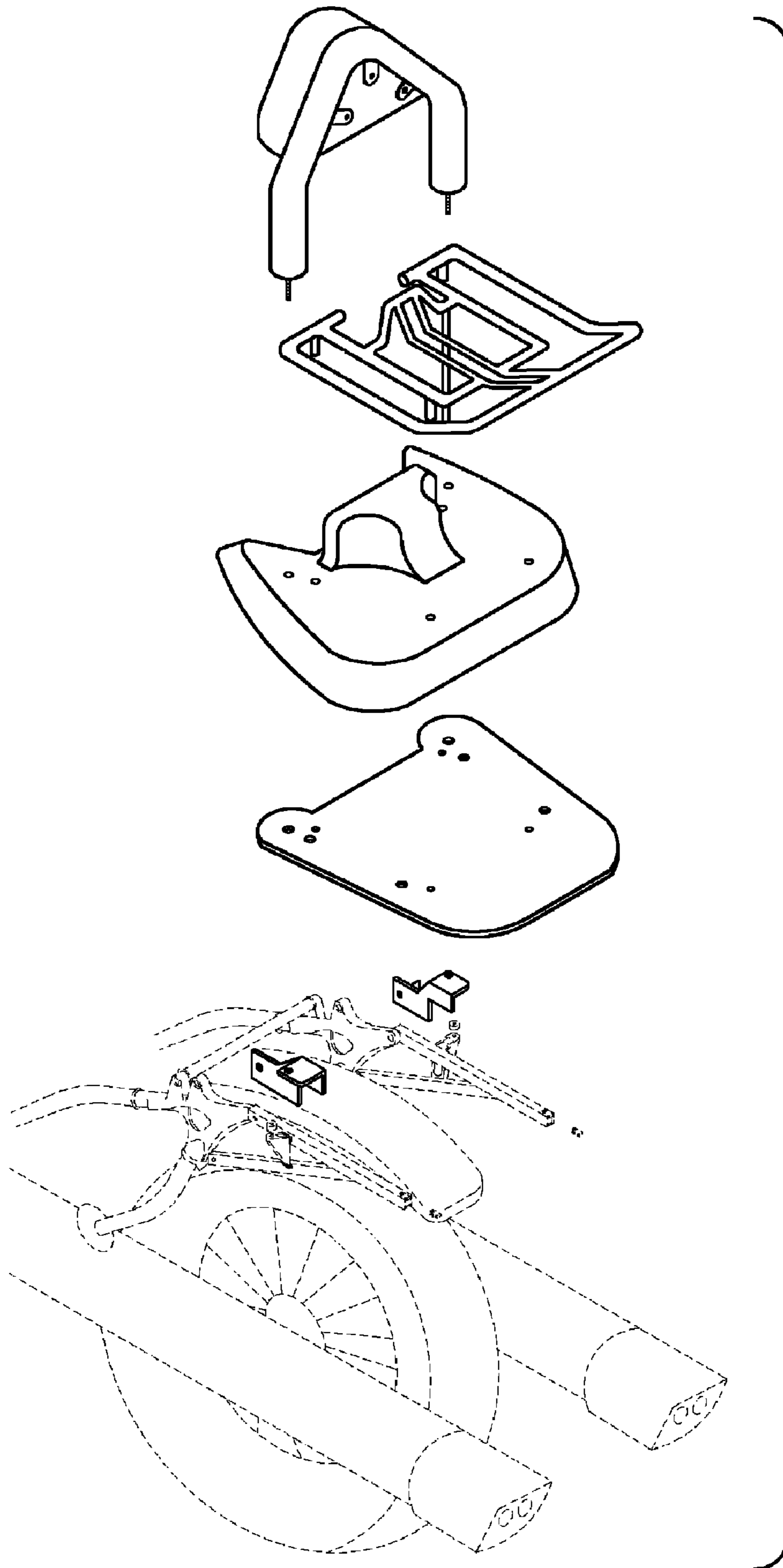


FIG. 7