



US00D628126S

(12) **United States Design Patent**
Tai

(10) **Patent No.:** **US D628,126 S**
(45) **Date of Patent:** **** Nov. 30, 2010**

(54) **VENT FOR ROOFTOP OF RECREATIONAL VEHICLE**

(75) Inventor: **Lo Yun Tai**, Tuen Mun (GB)

(73) Assignee: **Double Color Industrial Ltd.**, Hong Kong (HK)

(**) Term: **14 Years**

(21) Appl. No.: **29/333,775**

(22) Filed: **Mar. 13, 2009**

Related U.S. Application Data

(63) Continuation-in-part of application No. 11/599,063, filed on Nov. 14, 2006, now abandoned.

(51) **LOC (9) Cl.** **12-10**

(52) **U.S. Cl.** **D12/106**

(58) **Field of Classification Search** D12/19,
D12/129, 101-106, 404; D21/425, 435;
D34/21-26, 12, 16; 296/168, 180, 180.2,
296/10, 61, 100.01-100.08; 280/204, 205,
280/63, 475, 482, 647

See application file for complete search history.

(56) **References Cited**

U.S. PATENT DOCUMENTS

5,309,972 A 5/1994 Thomas
6,468,147 B1 10/2002 Thomas

D486,096 S * 2/2004 Messmer D12/102
D505,361 S * 5/2005 Arkebauer D12/102
D507,200 S * 7/2005 Adrianson et al. D10/104
D542,183 S * 5/2007 Van Buuren D12/102
D542,184 S * 5/2007 Van Buuren D12/102
D542,185 S * 5/2007 Remington D12/103
D594,385 S * 6/2009 Cadotte D12/102
2008/0244907 A1 * 10/2008 Boucher 29/897.2

* cited by examiner

Primary Examiner—Caron Veynar
Assistant Examiner—Katrina A Kile

(57) **CLAIM**

The ornamental design for a vent for rooftop of recreational vehicle, as shown and described.

DESCRIPTION

FIG. 1 is a top perspective view of the vent for rooftop of recreational vehicle of my design.

FIG. 2 is a bottom perspective view thereof.

FIG. 3 is a bottom view thereof.

FIG. 4 is a top view thereof.

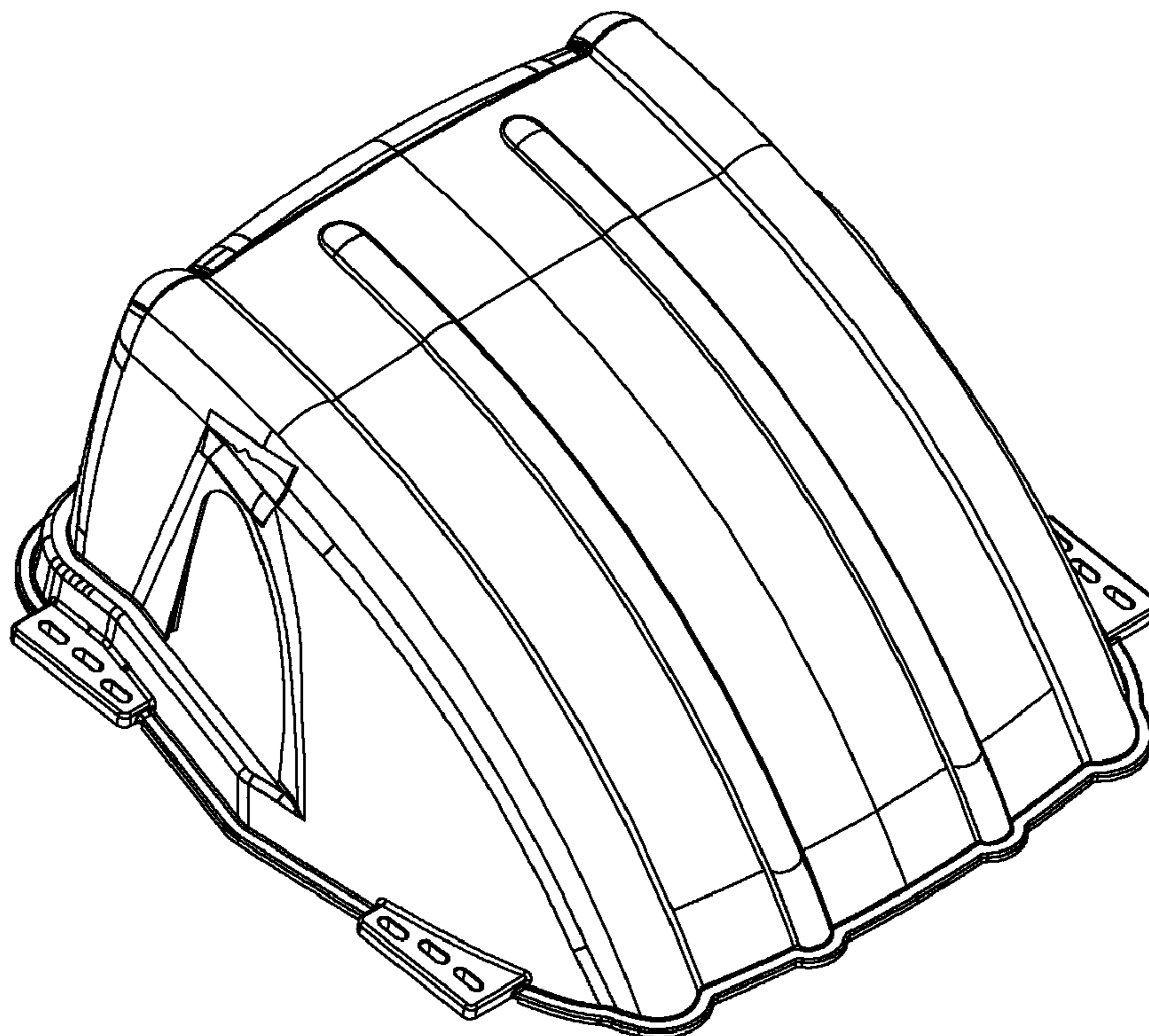
FIG. 5 is a rear view thereof.

FIG. 6 is front view thereof.

FIG. 7 is a left side view thereof; and,

FIG. 8 is a right side view thereof.

1 Claim, 3 Drawing Sheets



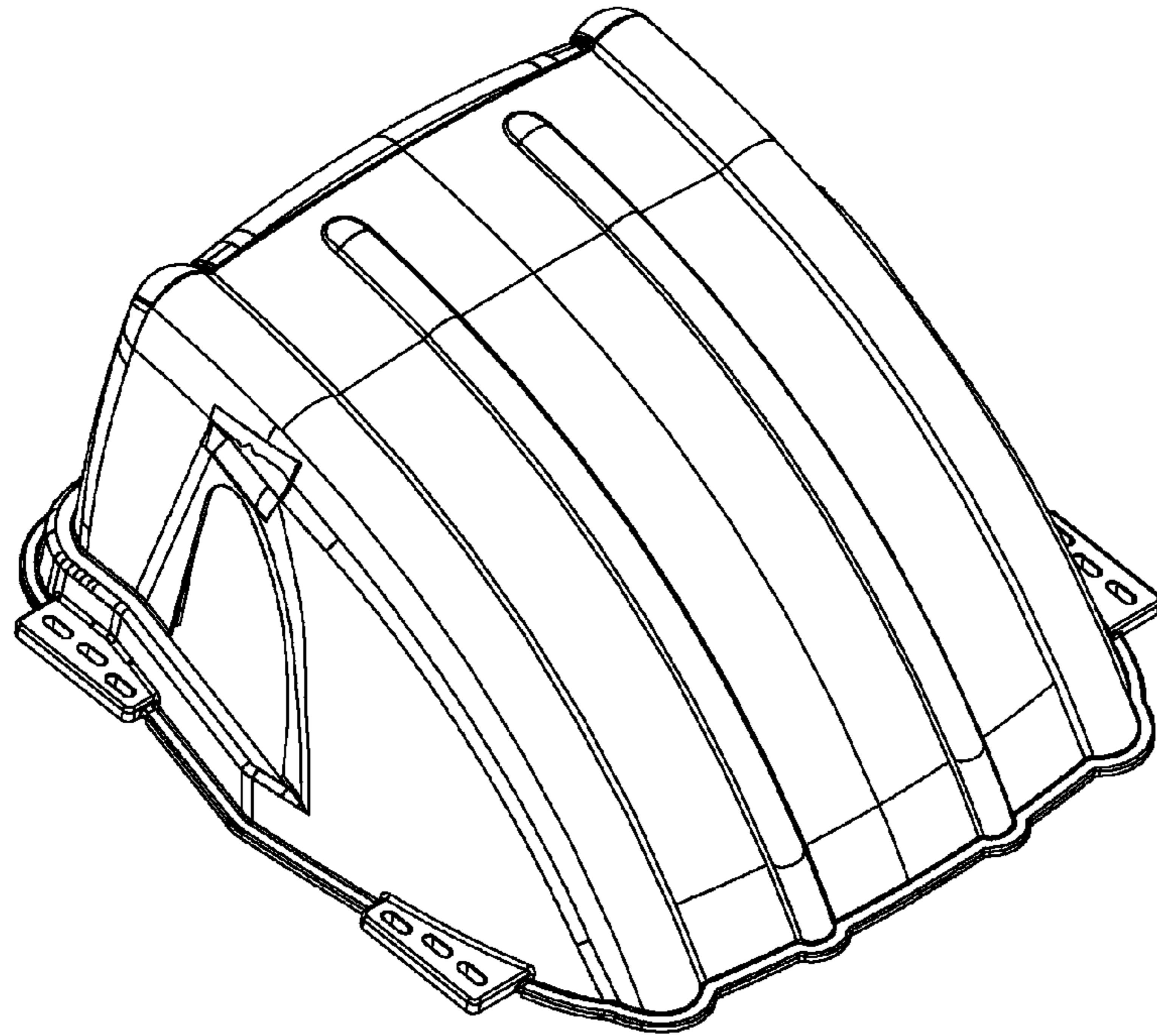


FIG. 1

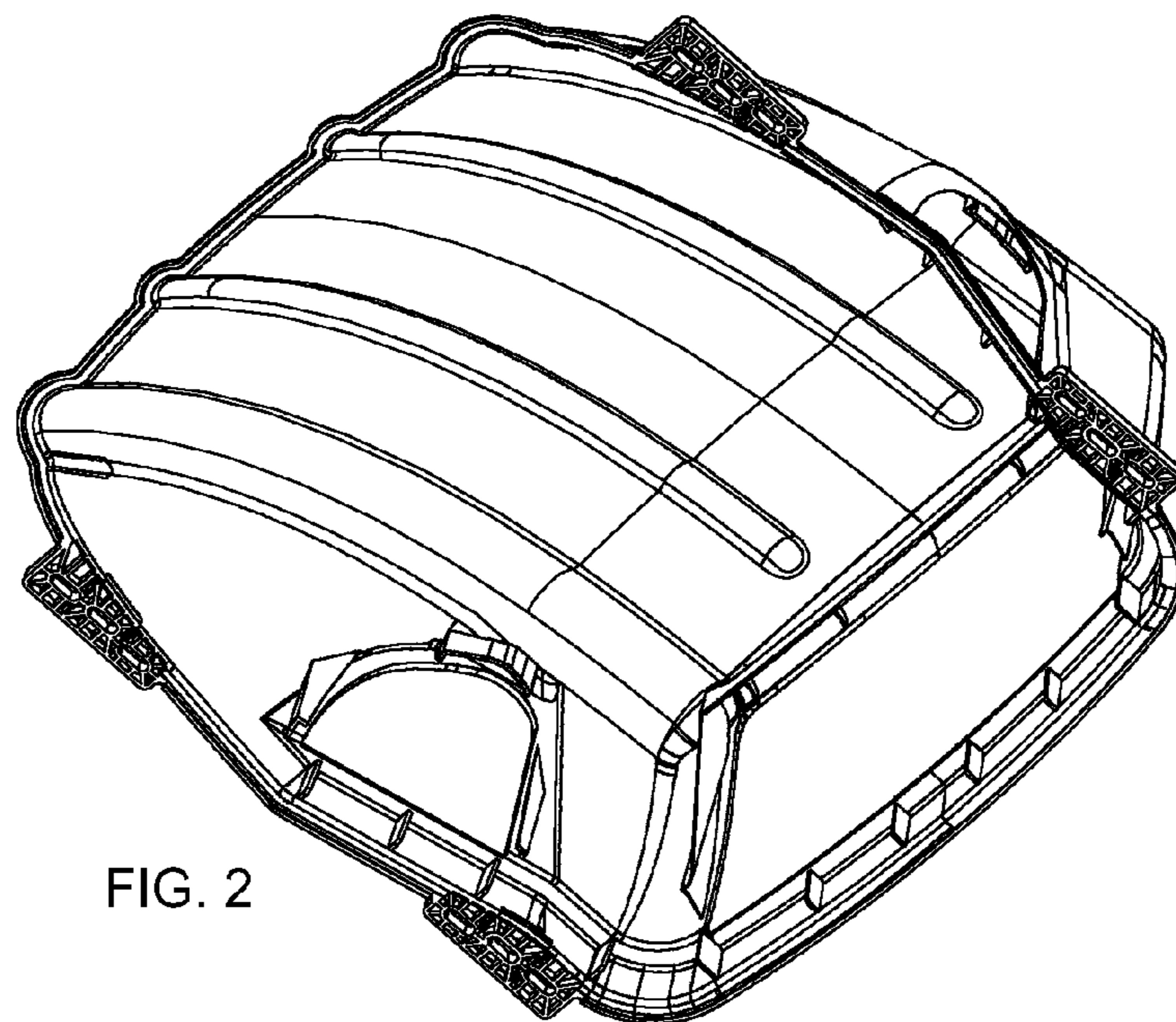


FIG. 2

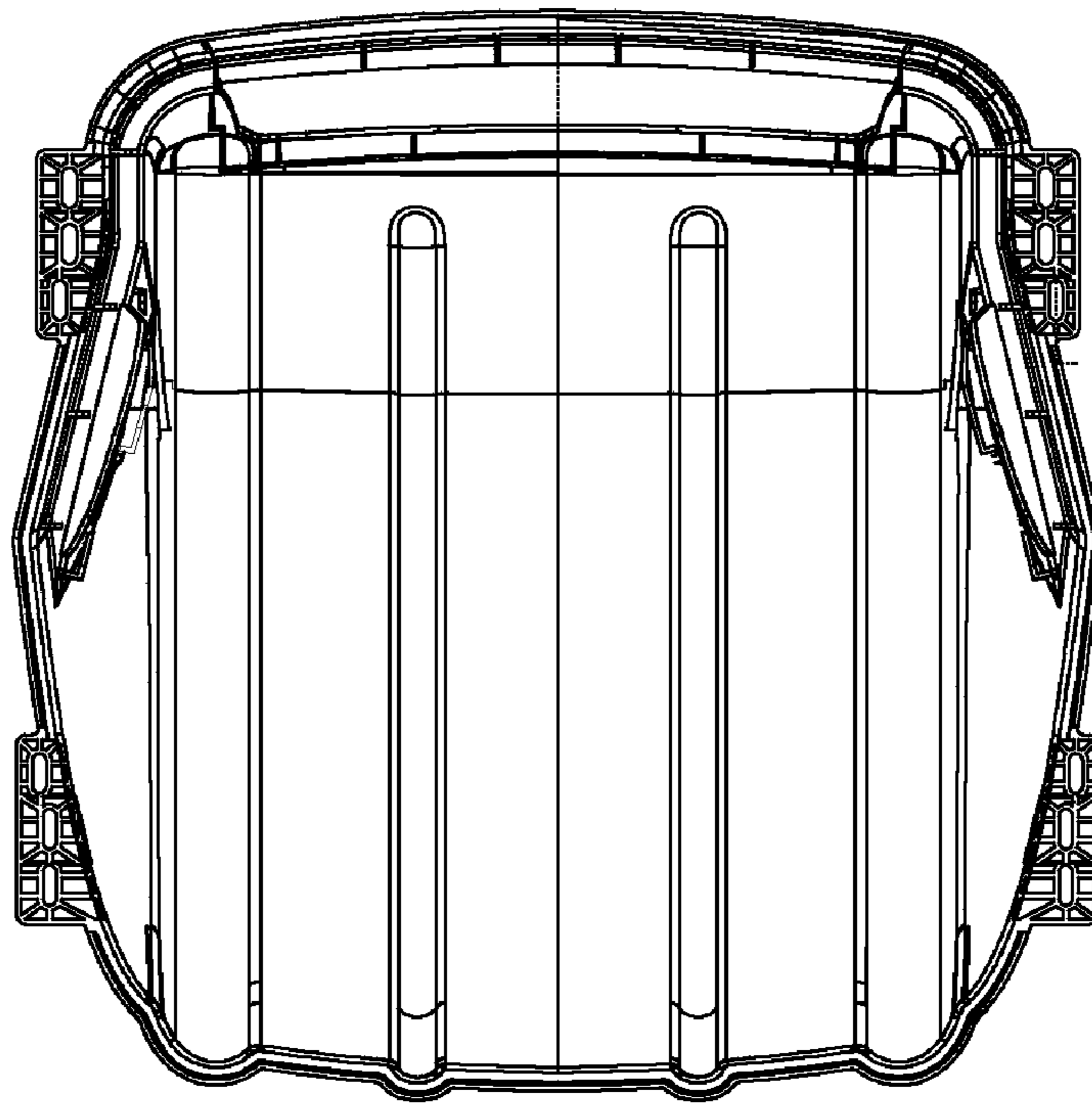


FIG. 3

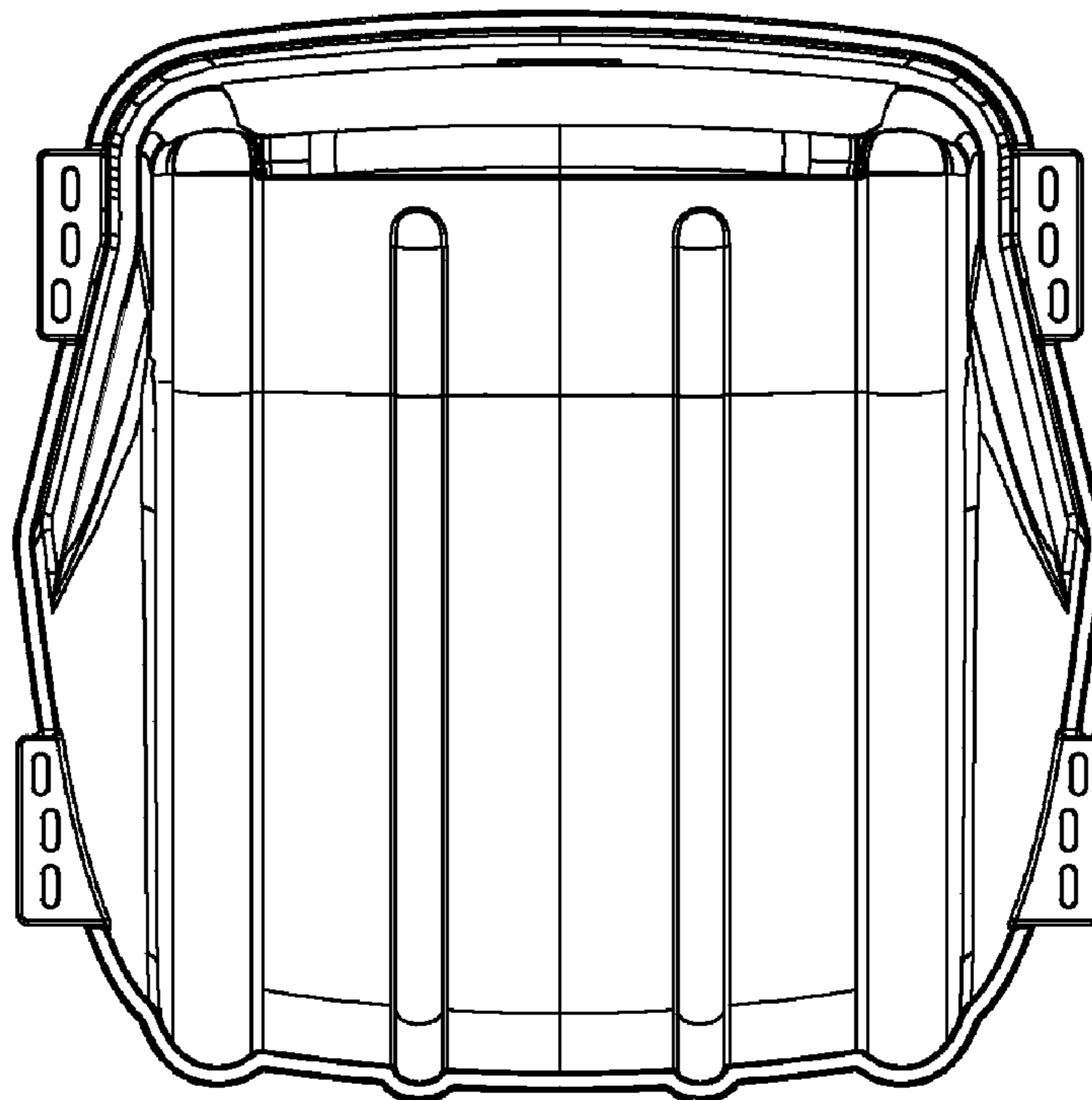


FIG. 4

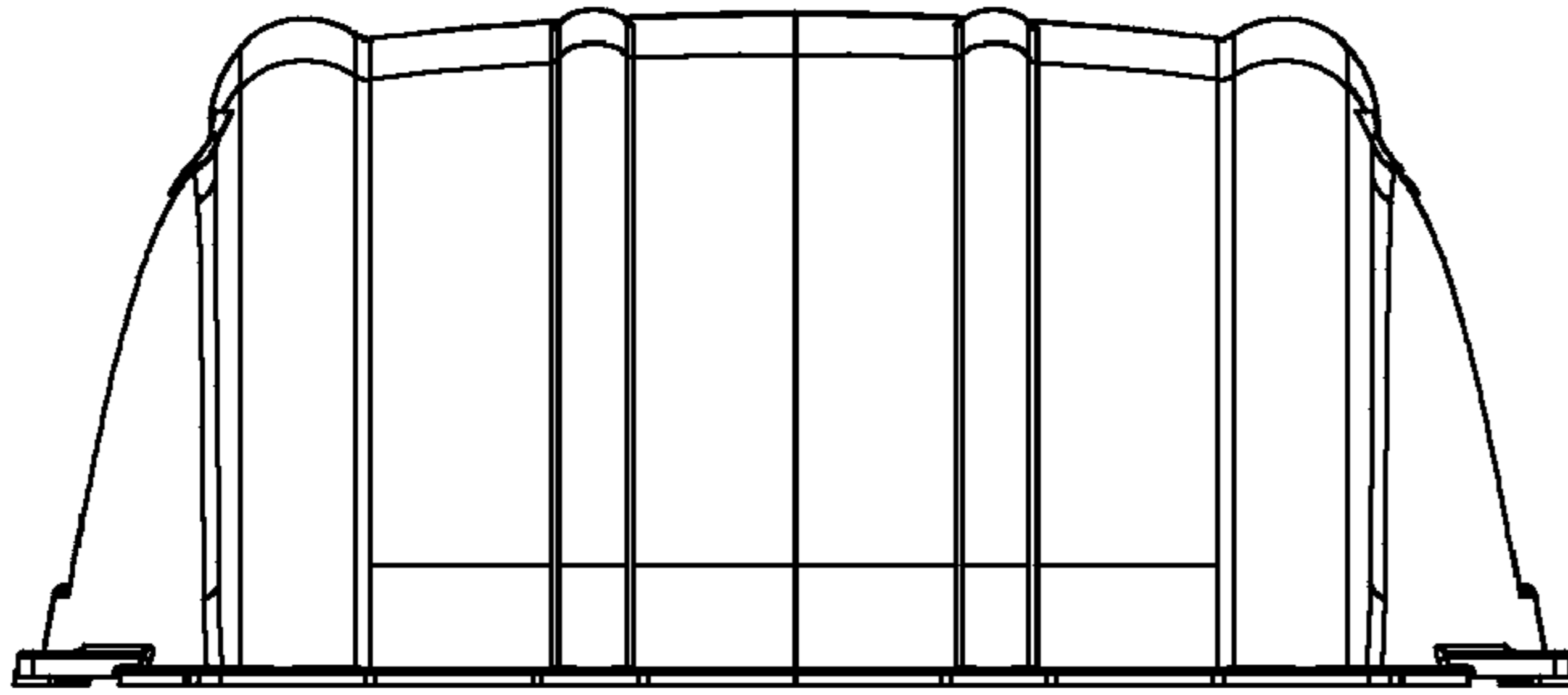


FIG. 5

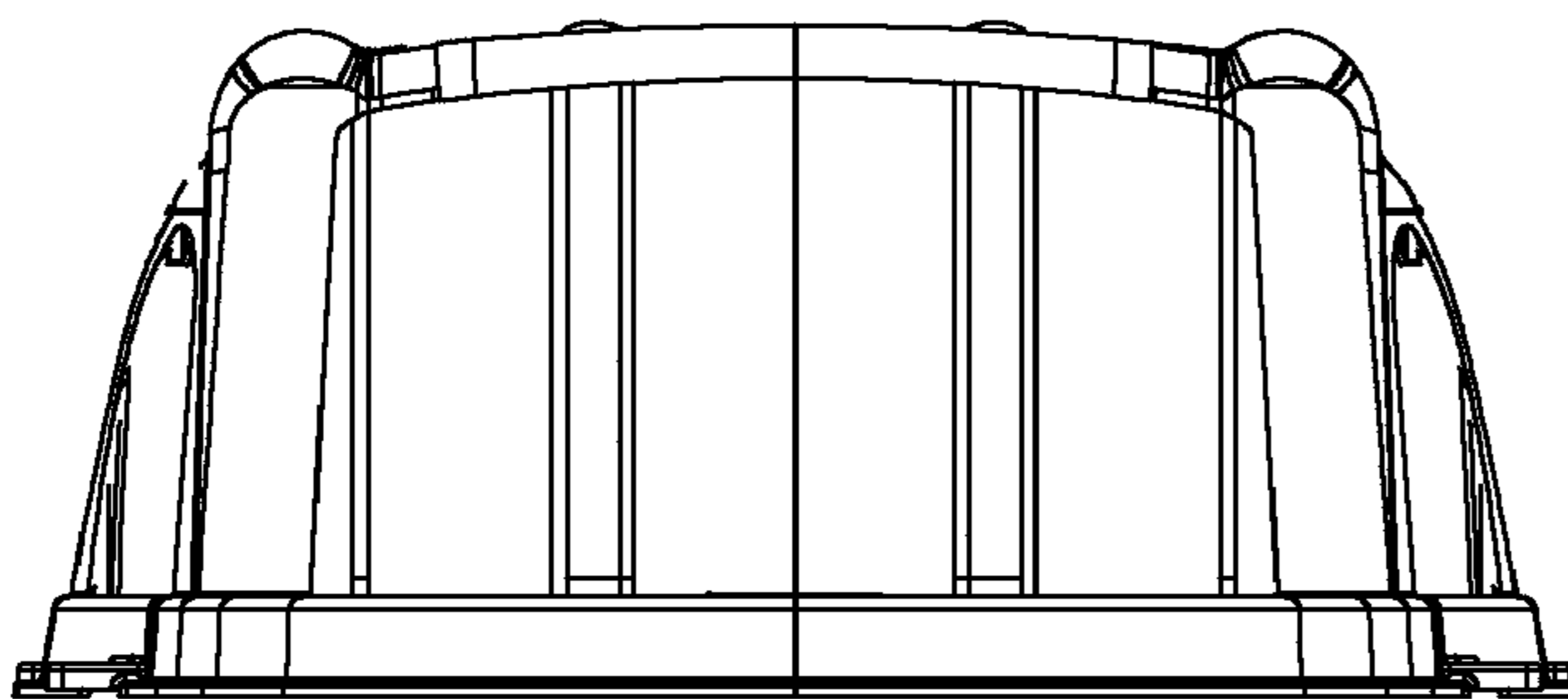


FIG. 6

FIG. 7

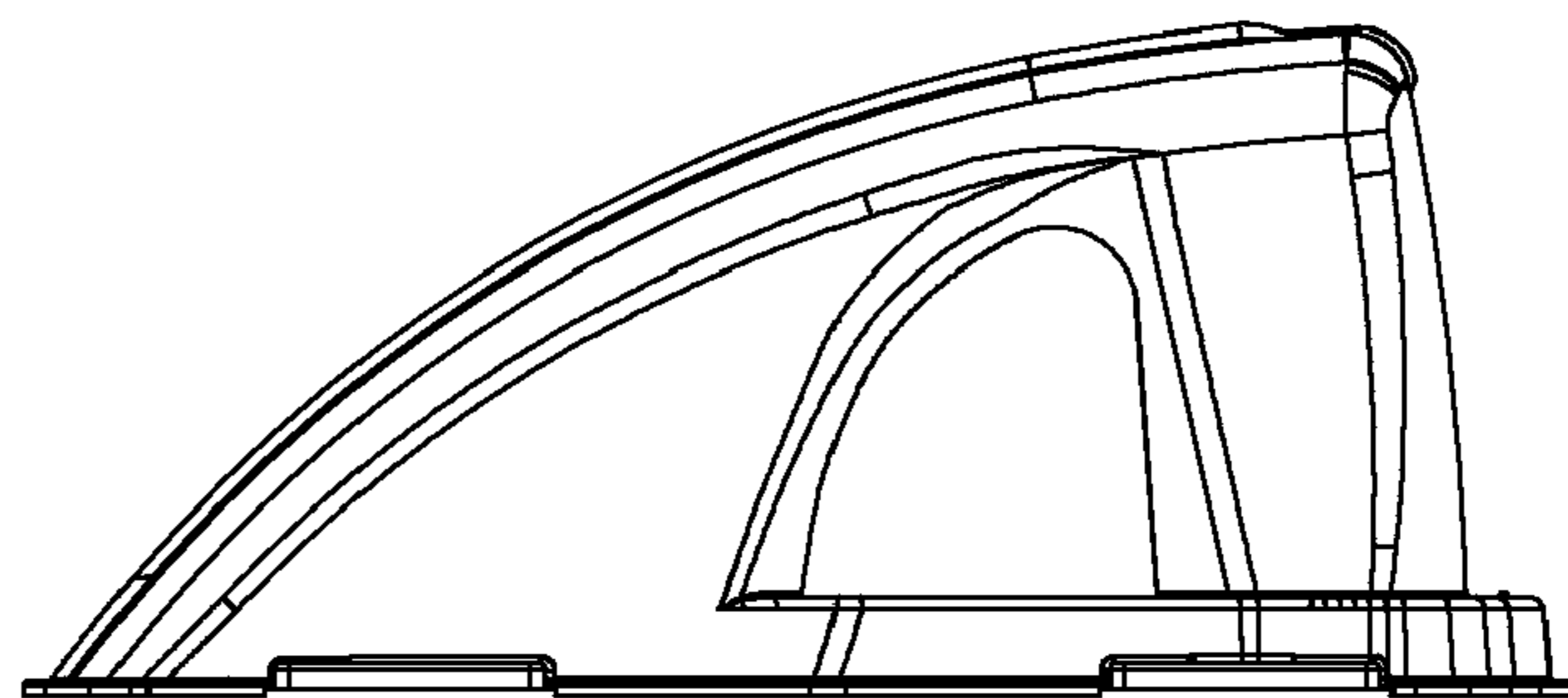


FIG. 8

