



US00D628125S

(12) **United States Design Patent**
Nemoto et al.

(10) **Patent No.:** **US D628,125 S**

(45) **Date of Patent:** **** Nov. 30, 2010**

(54) **TRUCK, TOY REPLICA AND/OR OTHER REPLICAS**

(75) Inventors: **Tomoyuki Nemoto**, Wako (JP); **Naohiro Kitazono**, Wako (JP)

(73) Assignee: **Honda Motor Co., Ltd.**, Tokyo (JP)

(**) Term: **14 Years**

(21) Appl. No.: **29/357,874**

(22) Filed: **Mar. 18, 2010**

(30) **Foreign Application Priority Data**

Sep. 18, 2009 (JP) 2009-021758

(51) **LOC (9) Cl.** **12-16**

(52) **U.S. Cl.** **D12/96**

(58) **Field of Classification Search** D12/96,
D12/97, 98, 12, 90-92; 296/180.1-180.3,
296/181.1-185, 183, 183.1, 186, 186.1; 180/89.12,
180/89.1, 242, 449

See application file for complete search history.

(56) **References Cited**

U.S. PATENT DOCUMENTS

D344,472 S * 2/1994 Savio D12/96
D422,534 S * 4/2000 Hellhake et al. D12/96

D570,739 S * 6/2008 Emoto et al. D12/96
D570,740 S * 6/2008 Emoto et al. D12/96
D570,741 S * 6/2008 Emoto et al. D12/96
D571,259 S * 6/2008 Emoto et al. D12/96

* cited by examiner

Primary Examiner—Melody N Brown

(74) *Attorney, Agent, or Firm*—Birch, Stewart, Kolasch & Birch, LLP

(57) **CLAIM**

The ornamental design for a truck, toy replica and/or other replicas, as shown and described.

DESCRIPTION

FIG. 1 is a front elevational view of a truck, toy replica and/or other replicas showing our new design;

FIG. 2 is a rear elevational view thereof;

FIG. 3 is a top plan view thereof;

FIG. 4 is a right side elevational view thereof;

FIG. 5 is a front perspective view thereof; and,

FIG. 6 is a rear perspective view thereof.

The portions shown in broken lines form no part of the claimed design.

1 Claim, 3 Drawing Sheets

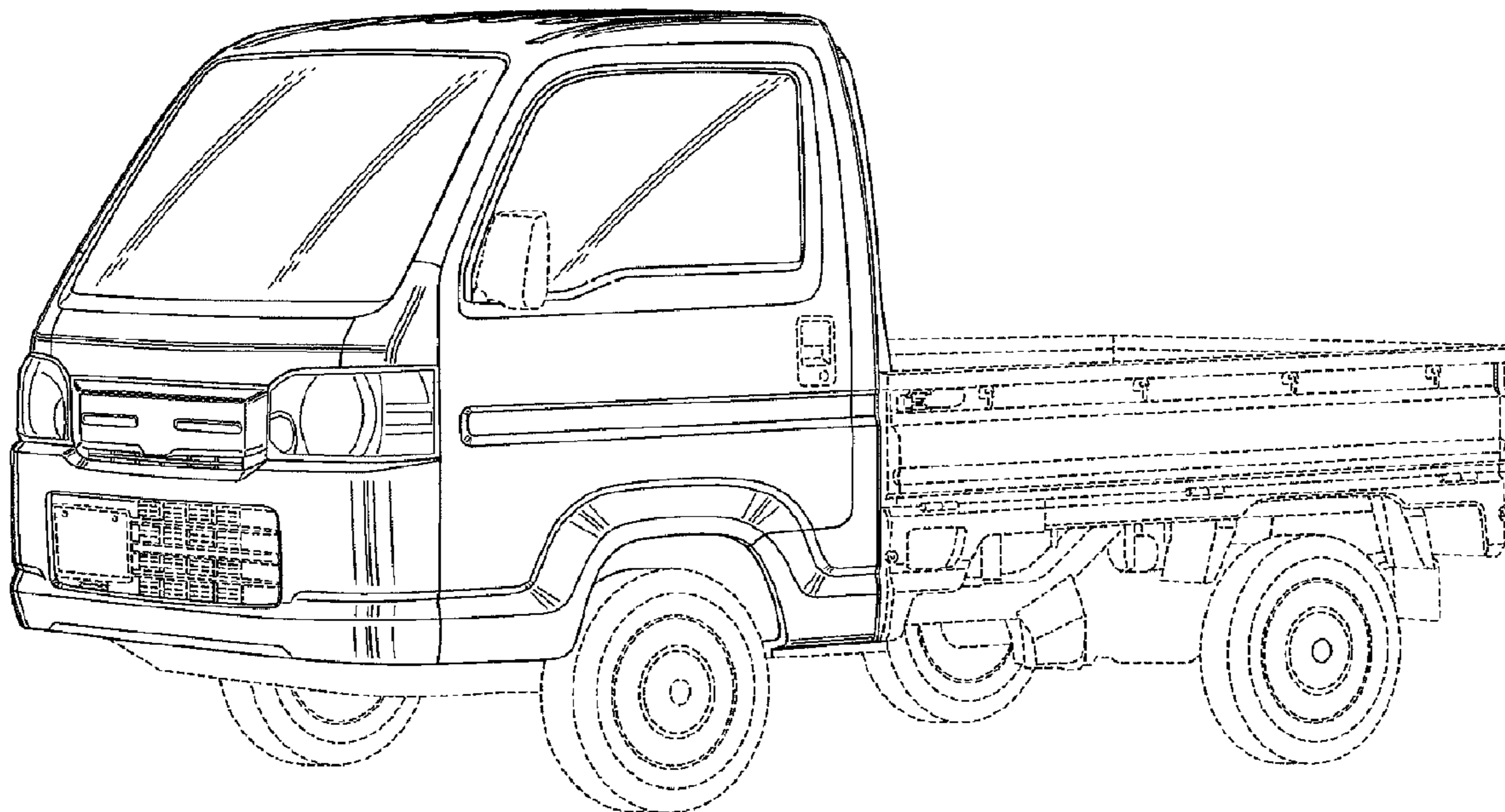


FIG.1

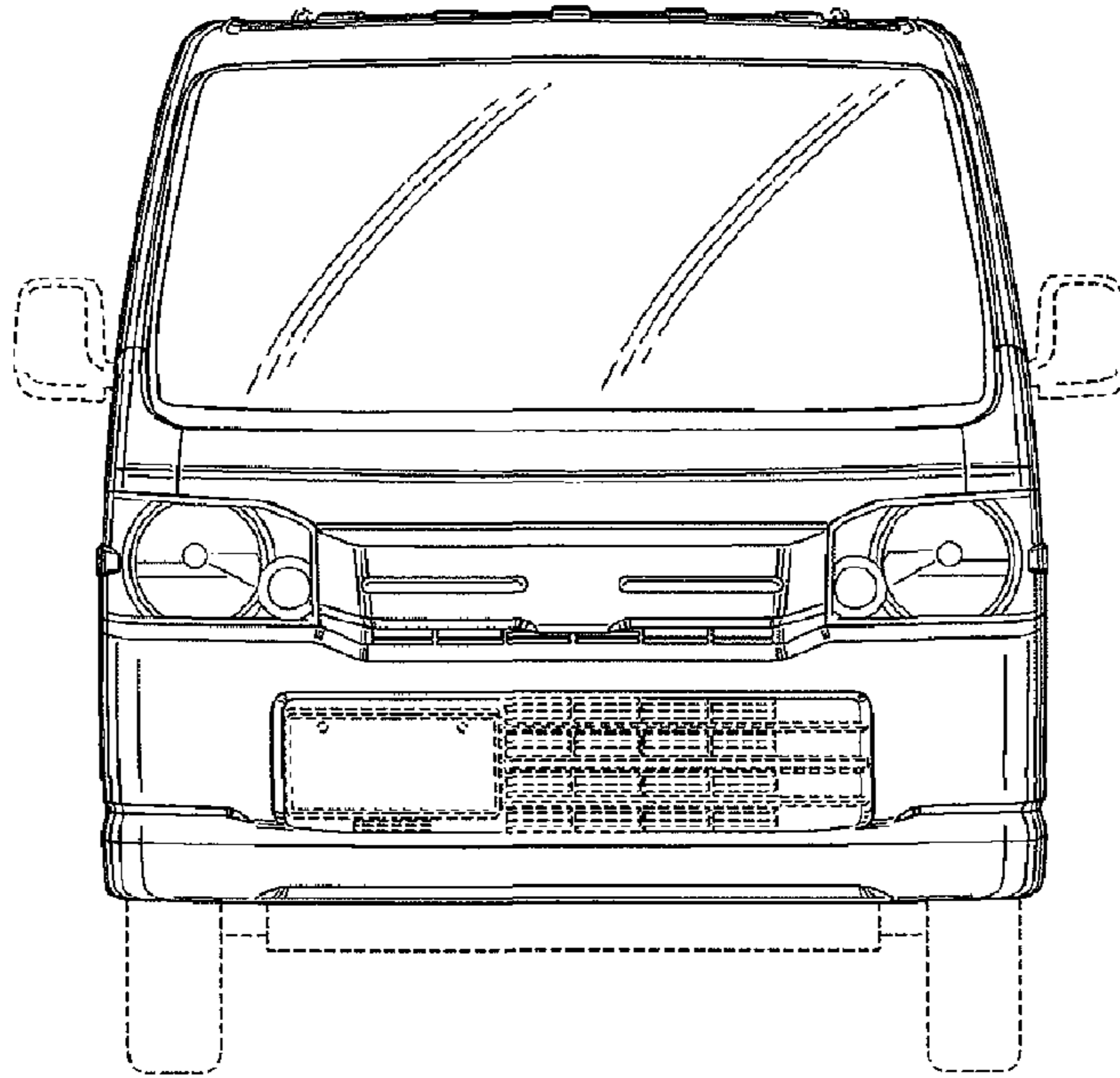


FIG.2

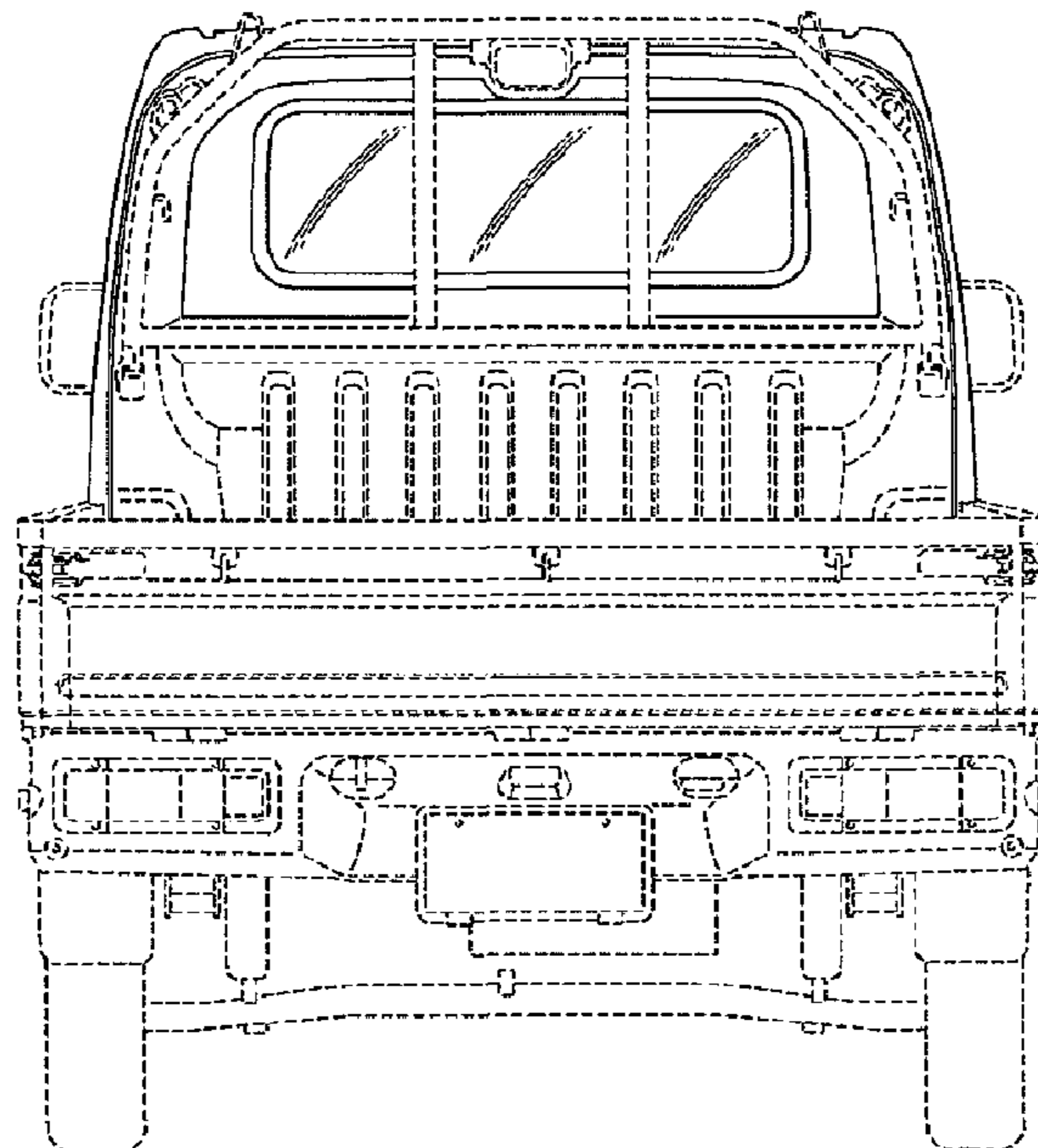


FIG.3

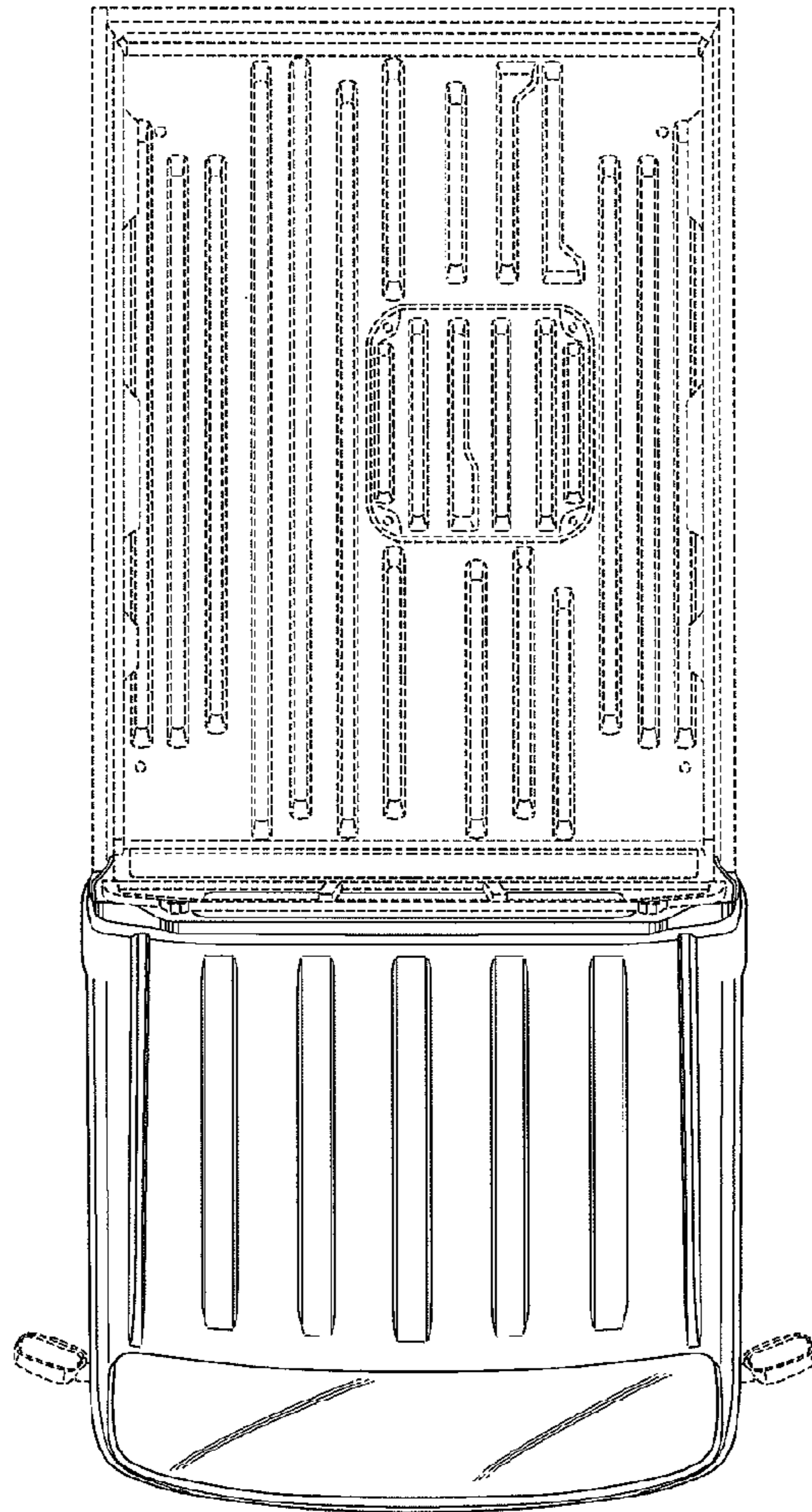


FIG.4

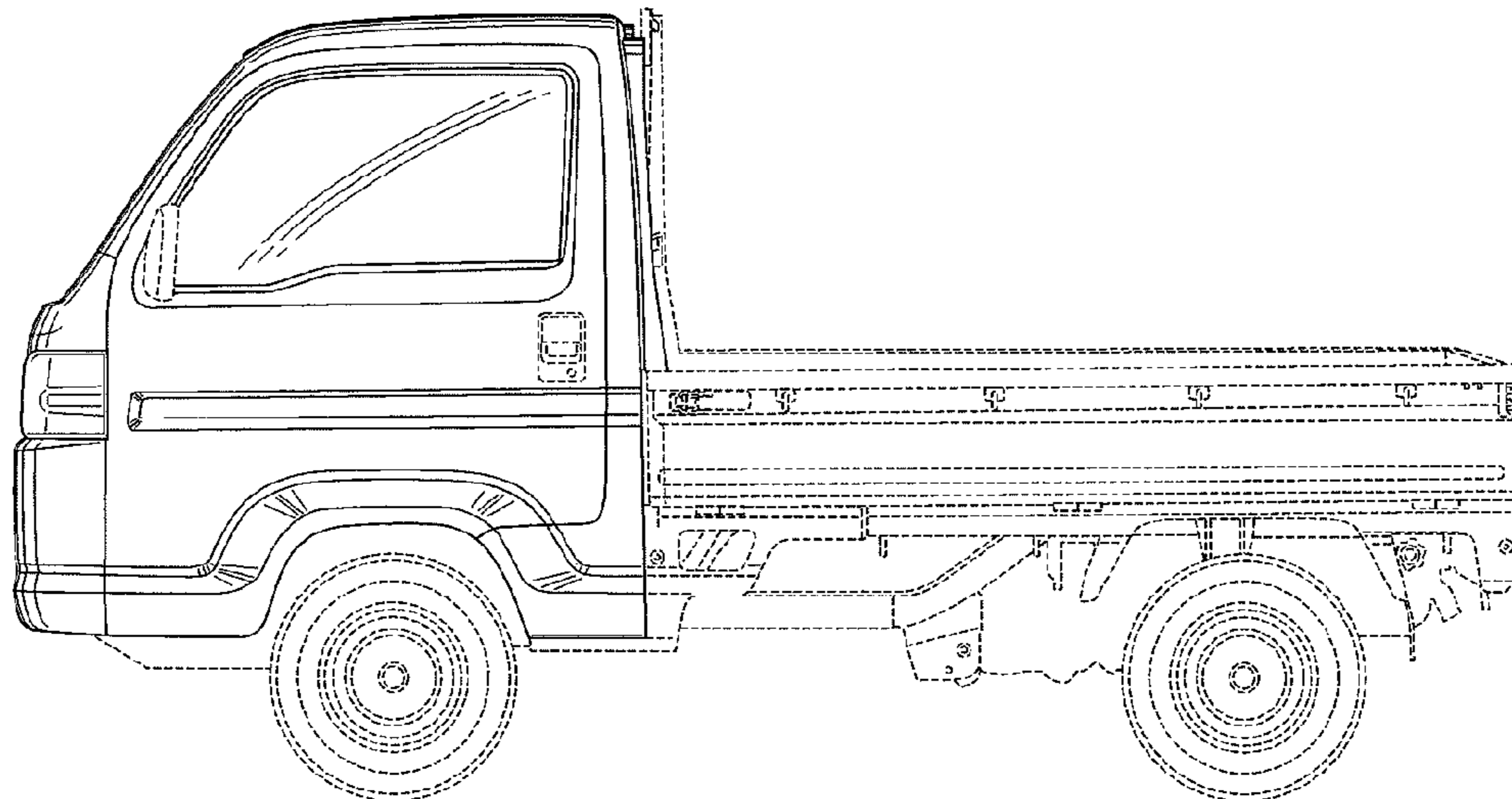


FIG.5

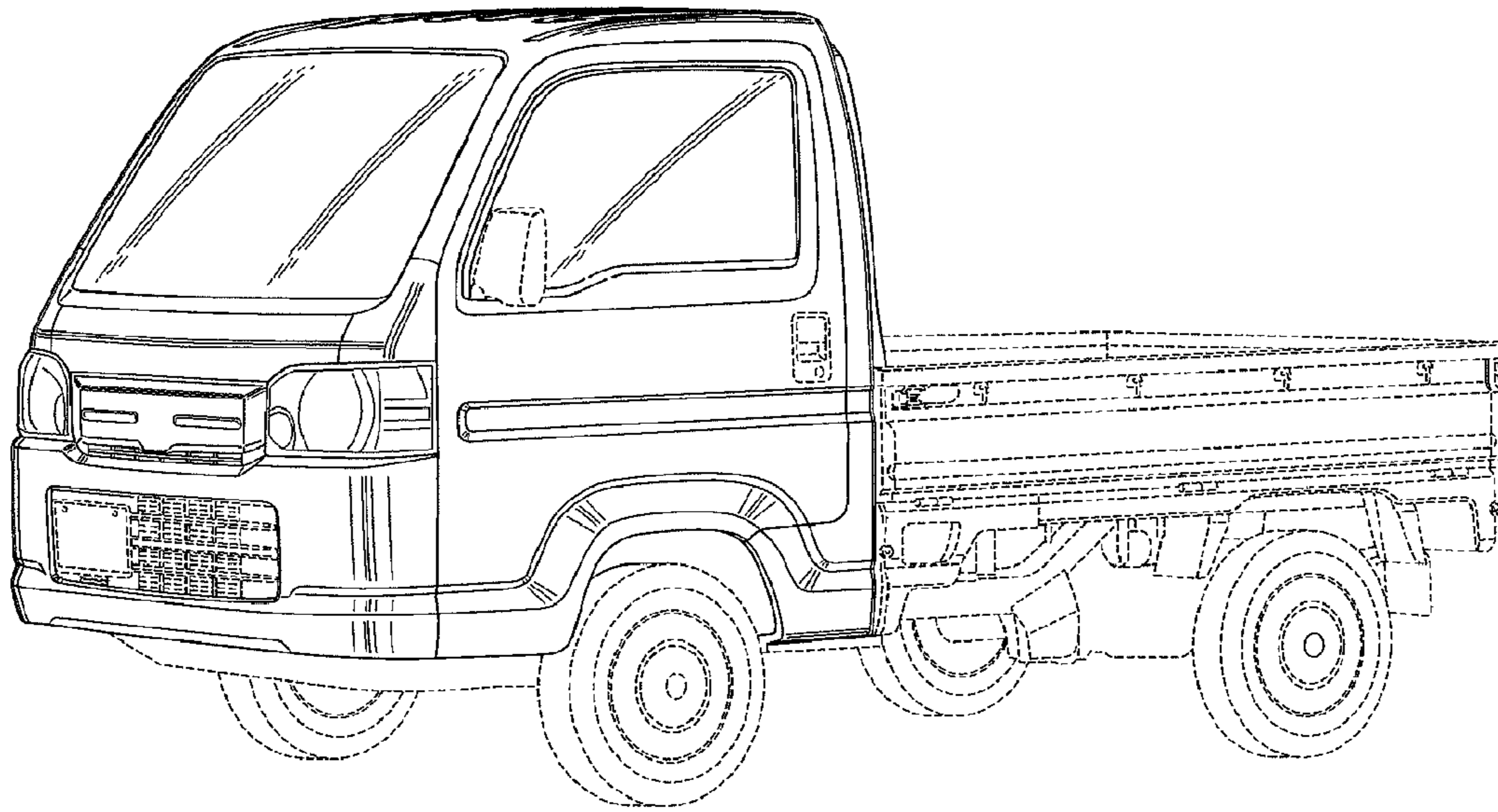


FIG.6

