



US00D628123S

(12) **United States Design Patent**  
**Kojima et al.**

(10) **Patent No.:** **US D628,123 S**

(45) **Date of Patent:** **\*\* Nov. 30, 2010**

(54) **CHAIN FOR SLIDE FASTENER**

(75) Inventors: **Masayoshi Kojima**, Kurobe (JP); **Kenji Yuki**, Kurobe (JP)

(73) Assignee: **YKK Corporation**, Tokyo (JP)

(\*\*) Term: **14 Years**

(21) Appl. No.: **29/342,874**

(22) Filed: **Sep. 2, 2009**

(30) **Foreign Application Priority Data**

Mar. 25, 2009 (JP) ..... 2009-006607

(51) **LOC (9) Cl.** ..... **02-07**

(52) **U.S. Cl.** ..... **D11/221**

(58) **Field of Classification Search** ..... D11/200,  
D11/201, 221; 24/381–383, 385–387, 414–417,  
24/421–422, 427–431, 433, 401, 405, 410;  
2/265

See application file for complete search history.

(56) **References Cited**

**U.S. PATENT DOCUMENTS**

2,385,020 A \* 9/1945 Morin ..... 24/410  
2,701,401 A \* 2/1955 Dorman ..... 24/433  
2,720,015 A \* 10/1955 Morin ..... 24/405  
2,814,847 A \* 12/1957 Zbinden ..... 24/434  
D265,606 S \* 8/1982 Kasai ..... D11/221

4,429,438 A \* 2/1984 Takeshima et al. .... 24/401  
D274,016 S \* 5/1984 Kasai ..... D11/221  
D284,330 S \* 6/1986 Yoshikawa et al. .... D11/221  
D293,225 S \* 12/1987 Hasegawa ..... D11/221  
D326,433 S \* 5/1992 Takizawa et al. .... D11/221  
D385,827 S \* 11/1997 Covi et al. .... D11/221  
6,230,373 B1 \* 5/2001 Wakai et al. .... 24/381  
7,353,570 B2 \* 4/2008 Himi ..... 24/405  
D586,693 S \* 2/2009 Stenhall ..... D11/221

\* cited by examiner

*Primary Examiner*—Ralf Seifert

(74) *Attorney, Agent, or Firm*—Alston & Bird LLP

(57) **CLAIM**

The ornamental design for a chain for slide fastener, as shown and described.

**DESCRIPTION**

FIG. 1 is a perspective view of the top, front and right side of a chain for slide fastener showing our new design;

FIG. 2 is front view thereof;

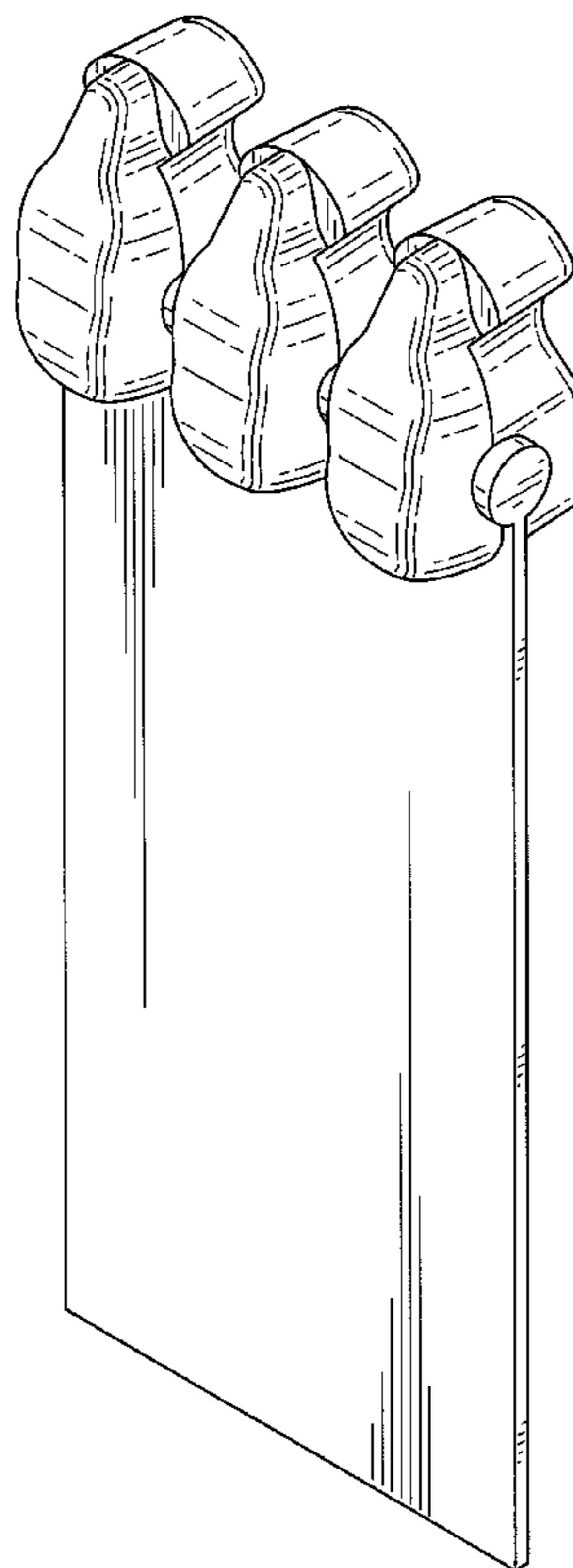
FIG. 3 is a rear view thereof;

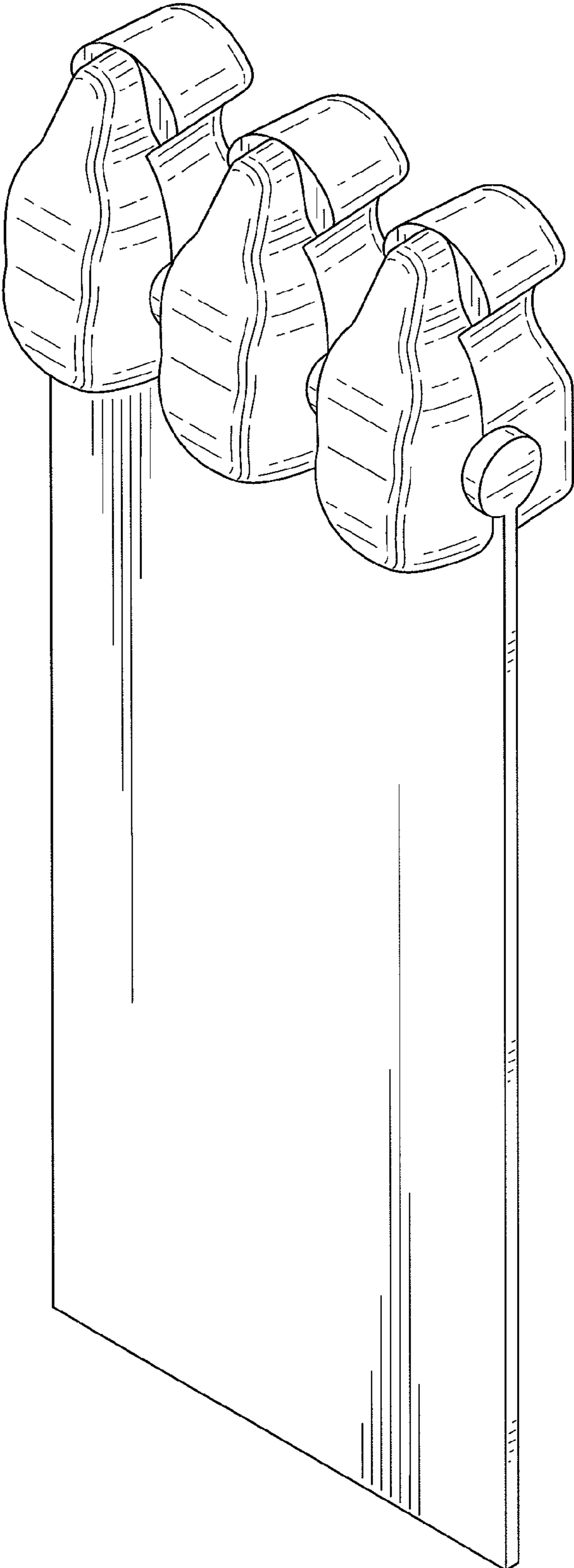
FIG. 4 is a right side view thereof, the left side view being mirror image thereof;

FIG. 5 is a top plan view thereof; and,

FIG. 6 is a bottom view thereof.

**1 Claim, 5 Drawing Sheets**





**FIG. 1**

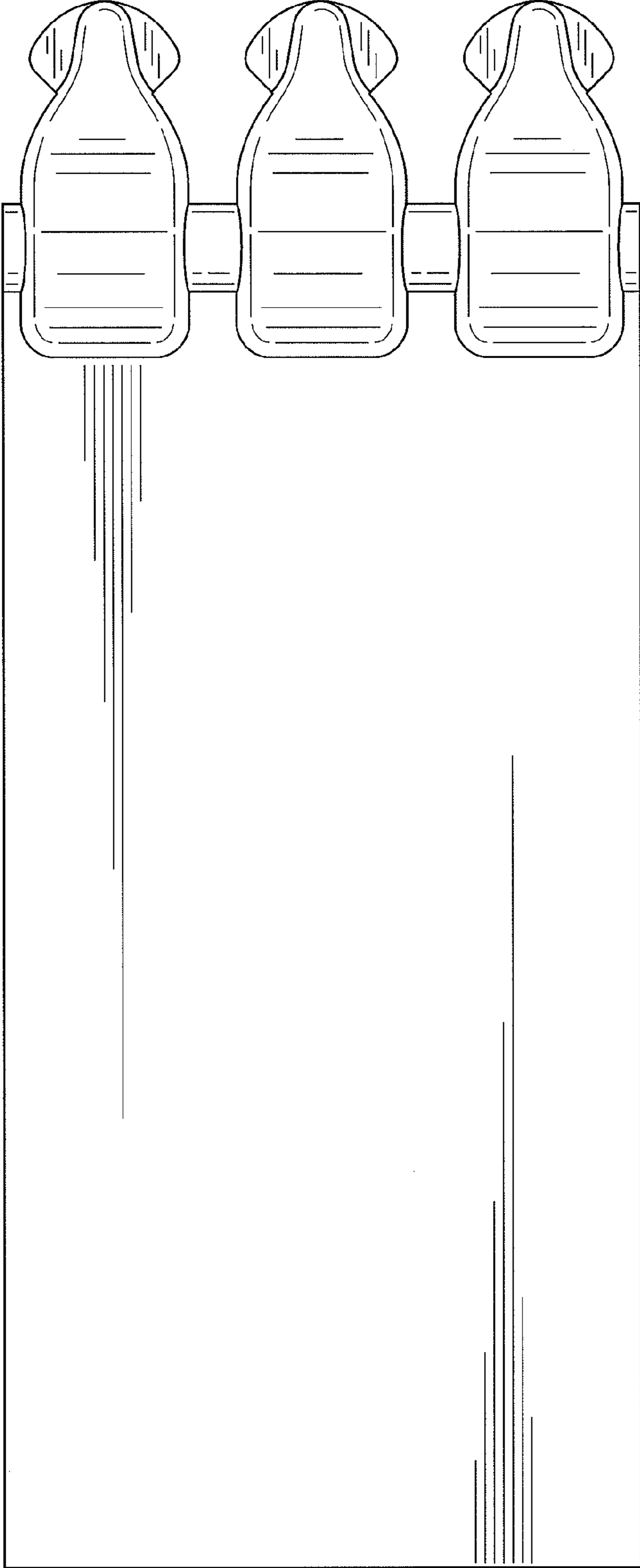
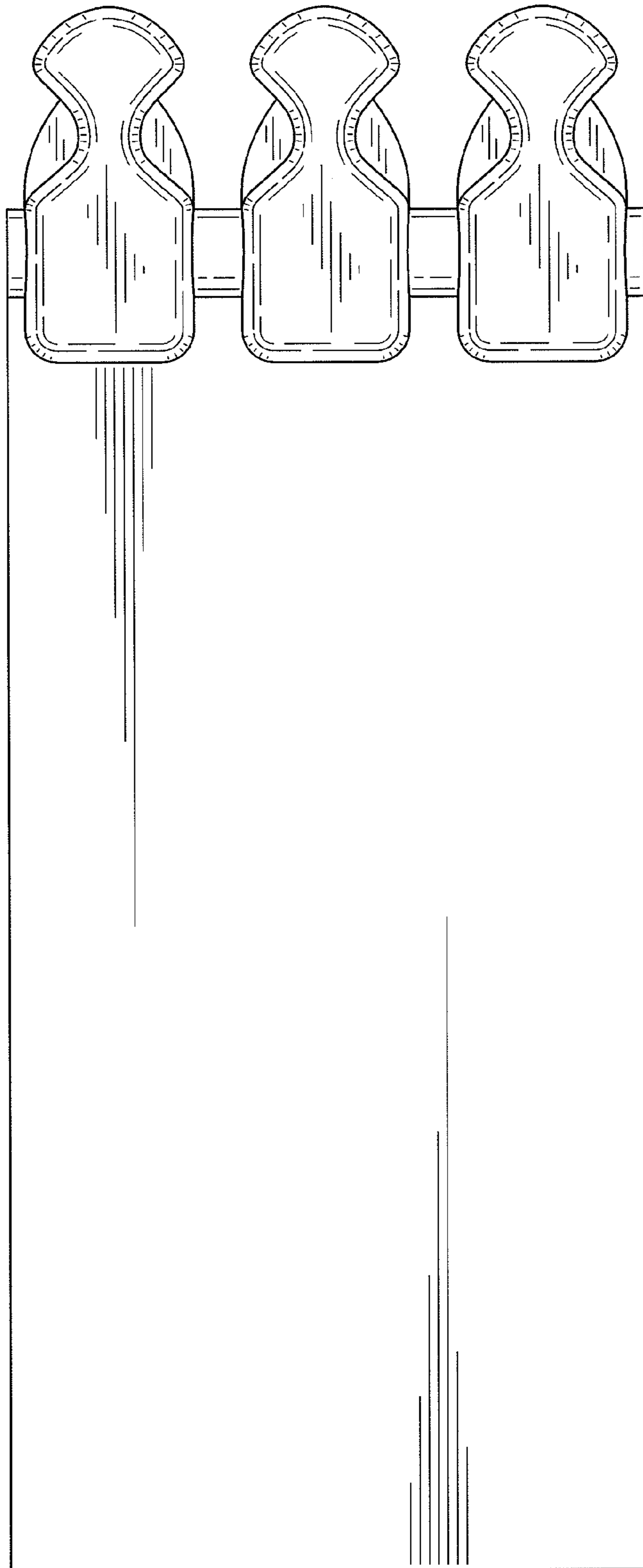
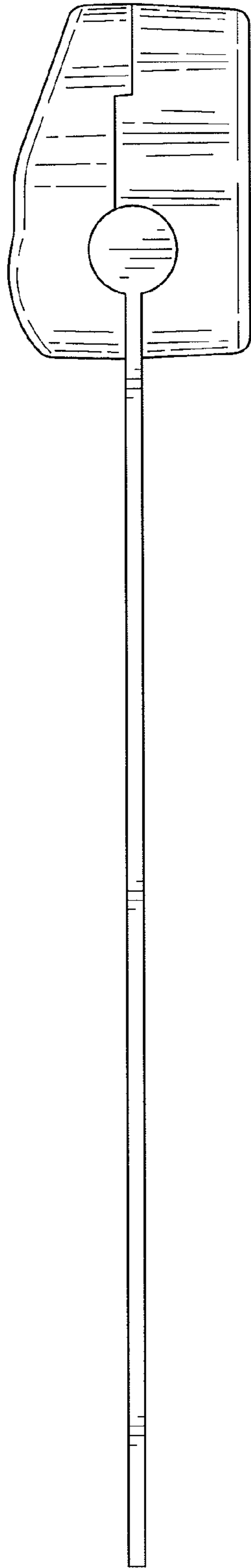


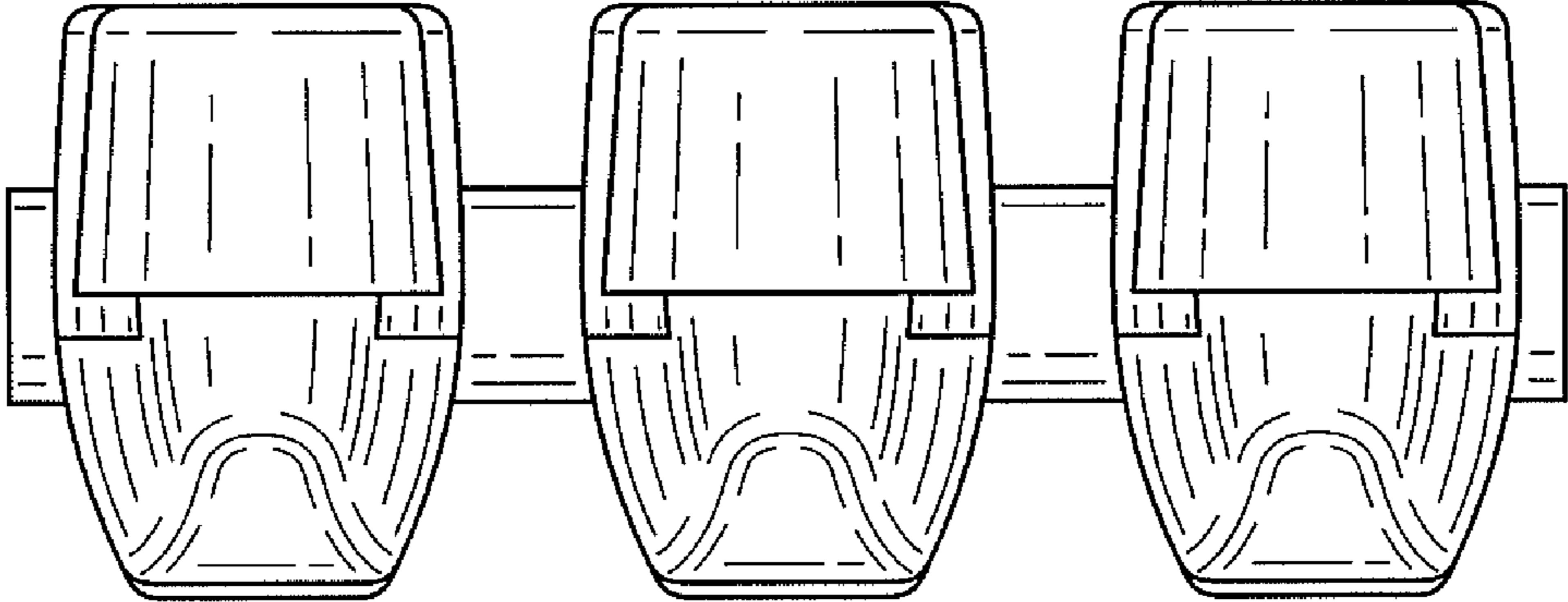
FIG. 2



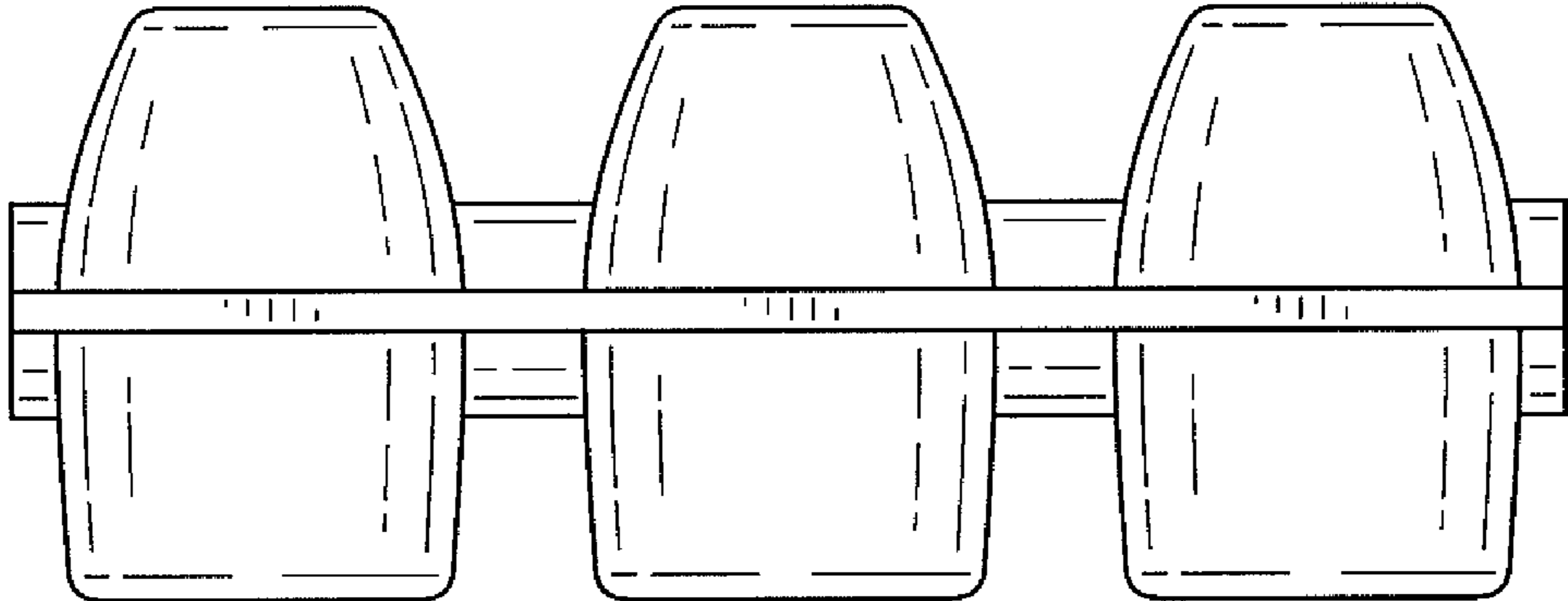
*FIG. 3*



**FIG. 4**



**FIG. 5**



**FIG. 6**