

US00D628111S

(12) **United States Design Patent**  
**Cerrato**

(10) **Patent No.:** **US D628,111 S**

(45) **Date of Patent:** **\*\* Nov. 30, 2010**

(54) **WATCH BRACELET**

(75) Inventor: **Davide Cerrato**, Geneva (CH)

(73) Assignee: **Montres Tudor SA**, Geneva (CH)

(\*\*) Term: **14 Years**

(21) Appl. No.: **29/358,865**

(22) Filed: **Apr. 1, 2010**

**Related U.S. Application Data**

(62) Division of application No. 29/344,229, filed on Sep. 25, 2009.

(30) **Foreign Application Priority Data**

Mar. 25, 2009 (CH) ..... 135968

(51) **LOC (9) Cl.** ..... **11-01**

(52) **U.S. Cl.** ..... **D11/3**

(58) **Field of Classification Search** ..... D11/1-25;  
D10/30-32, 38, 39; 224/164-179; 63/1.11,  
63/3, 3.1, 3.2, 5.1, 5.2, 7, 8, 9, 10, 11  
See application file for complete search history.

(56) **References Cited**

**U.S. PATENT DOCUMENTS**

D106,219 S \* 9/1937 Sauer ..... D11/3  
D107,323 S \* 12/1937 Sauer ..... D11/3  
D279,555 S \* 7/1985 Matsuo ..... D11/4

D328,878 S \* 8/1992 Tse ..... D11/4  
D393,602 S \* 4/1998 Sang ..... D11/3  
D407,341 S \* 3/1999 Oshita ..... D11/3  
D407,990 S \* 4/1999 Akagi ..... D11/3  
D409,940 S \* 5/1999 Spandrio et al. .... D11/3  
D409,941 S \* 5/1999 Spandrio et al. .... D11/3  
D562,724 S \* 2/2008 Lalo ..... D11/94  
D610,472 S \* 2/2010 Nashimoto ..... D10/32

\* cited by examiner

*Primary Examiner*—Cathron C Brooks

*Assistant Examiner*—Melanie Levy

(74) *Attorney, Agent, or Firm*—Sughrue Mion, PLLC

(57) **CLAIM**

The ornamental design for watch bracelet, as shown and described.

**DESCRIPTION**

FIG. 1 is a front perspective view of a watch bracelet according to the present invention;

FIG. 2 is a front plan view thereof;

FIG. 3 is a rear plan view thereof;

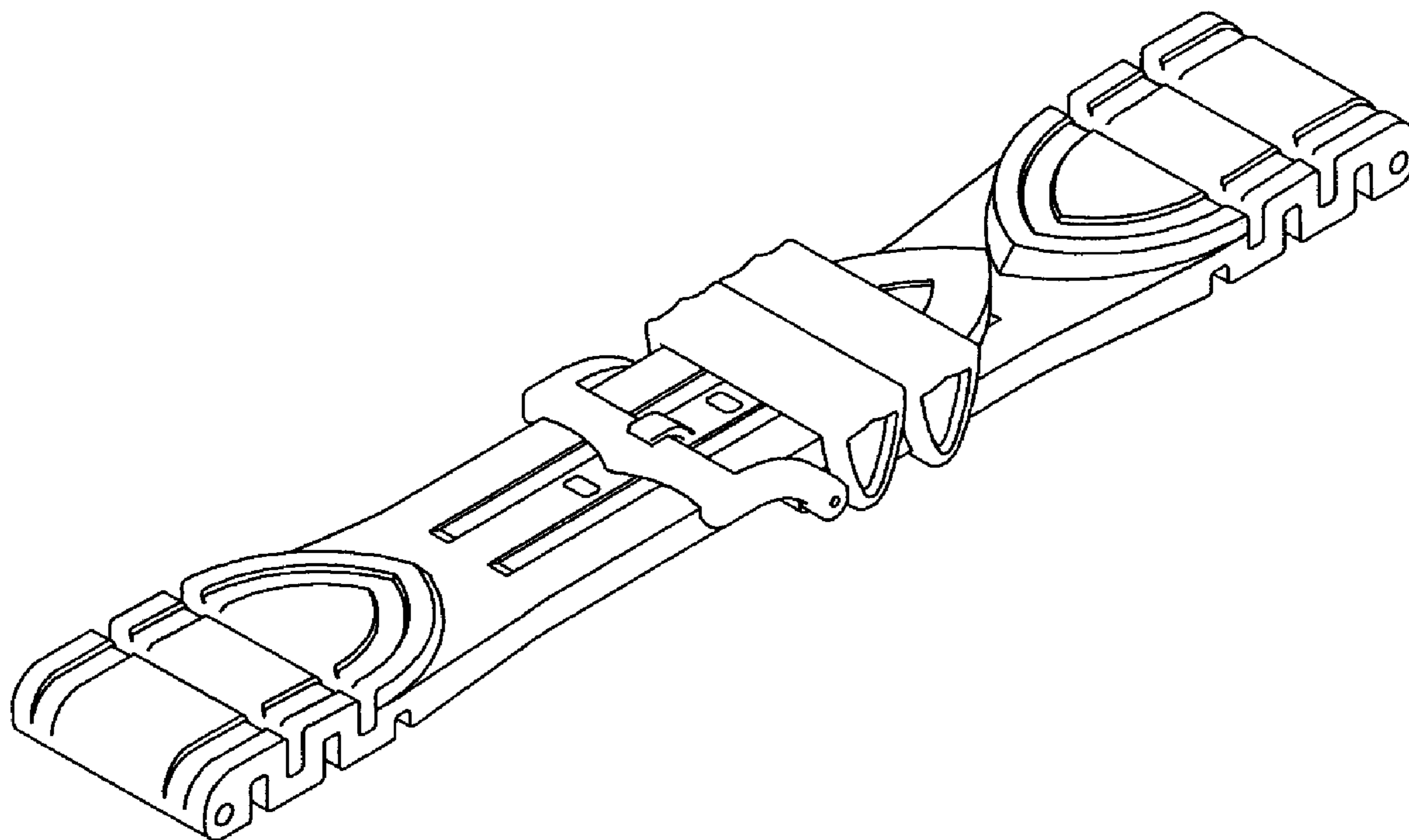
FIG. 4 is a first end view thereof;

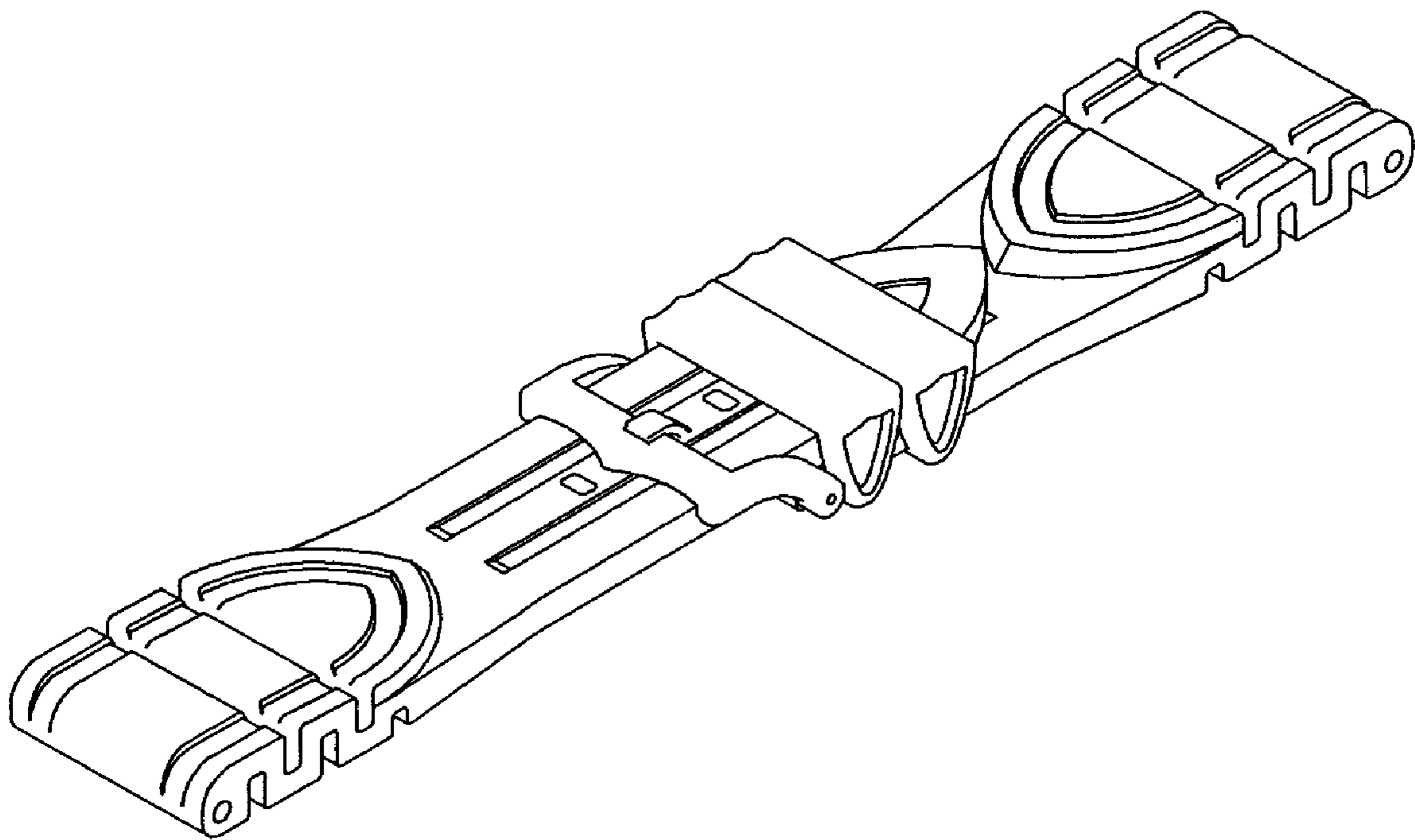
FIG. 5 is a second end view opposite the first end;

FIG. 6 is a first side view thereof; and,

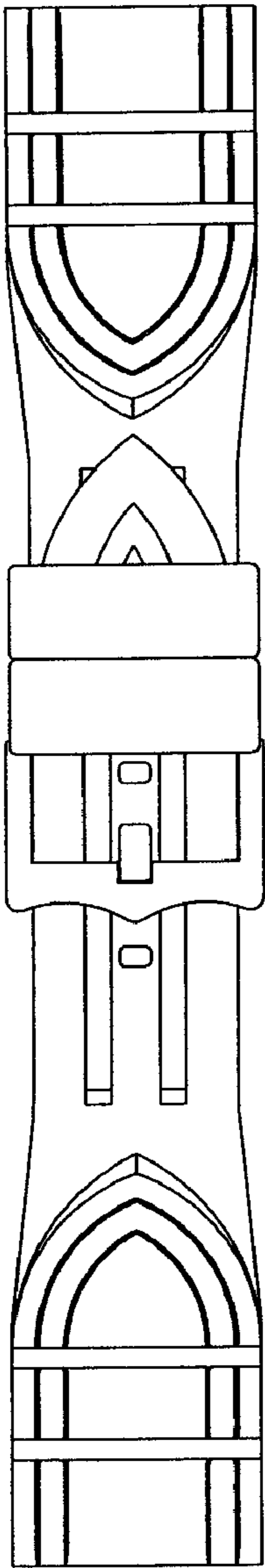
FIG. 7 is a second side view thereof opposite the first side.

**1 Claim, 4 Drawing Sheets**

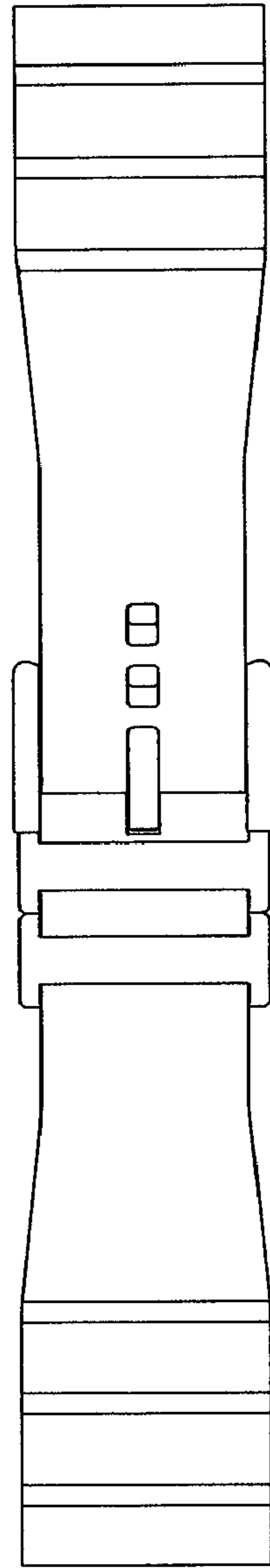




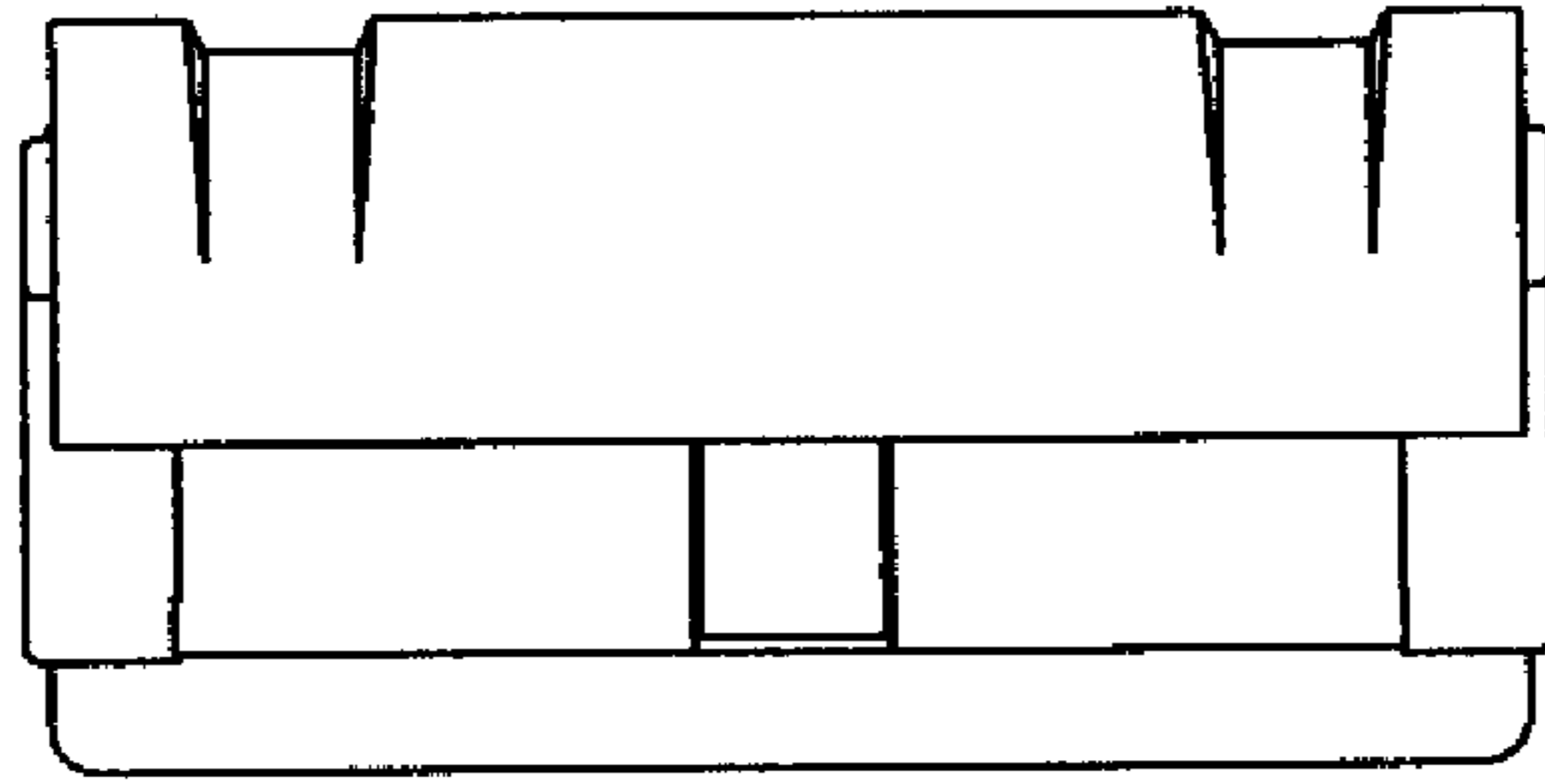
**FIG. 1**



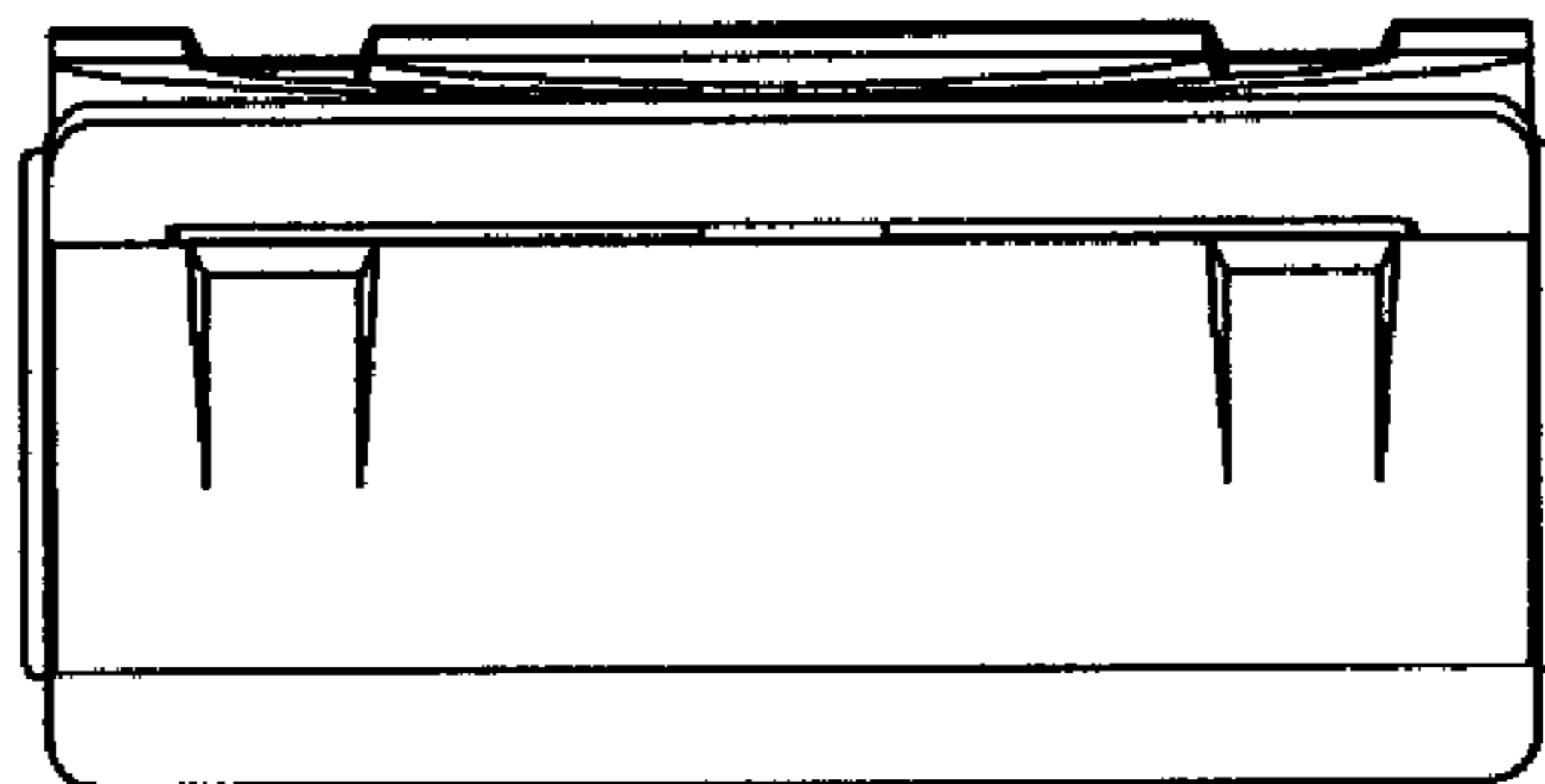
**FIG. 2**



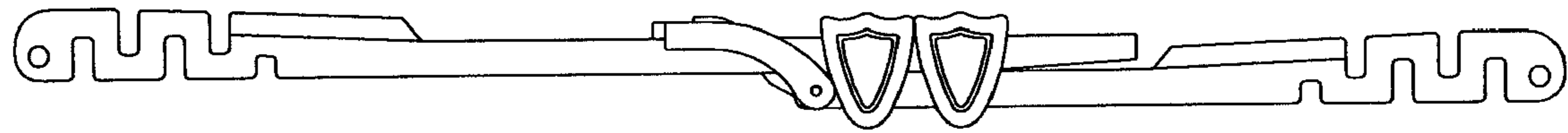
**FIG. 3**



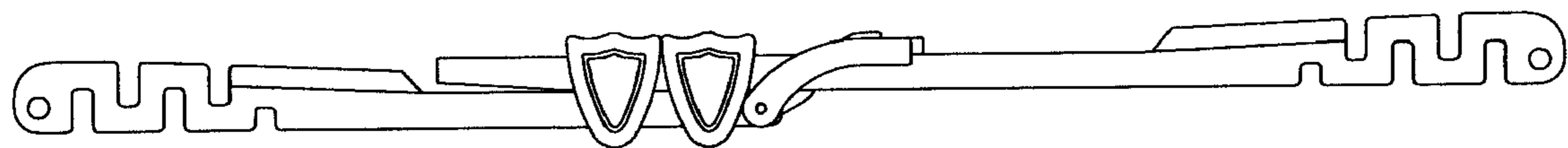
**FIG. 4**



**FIG. 5**



**FIG. 6**



**FIG. 7**