



US00D628109S

(12) **United States Design Patent**
Boulangéot

(10) **Patent No.:** **US D628,109 S**

(45) **Date of Patent:** **** Nov. 30, 2010**

(54) **WATCH DIAL**

D599,243 S * 9/2009 Eilinger D10/126
D607,757 S * 1/2010 Cattin D10/39

(75) Inventor: **Sophie Boulangéot**, Geneva (CH)

* cited by examiner

(73) Assignee: **Cartier Creation Studio SA** (CH)

Primary Examiner—Lucy Lieberman

(**) Term: **14 Years**

(74) *Attorney, Agent, or Firm*—Galbreath Law Offices, P.C.;
John A. Galbreath

(21) Appl. No.: **29/365,322**

(57) **CLAIM**

(22) Filed: **Jul. 8, 2010**

The ornamental design for a watch dial, as shown and described.

(51) **LOC (9) Cl.** **10-07**

(52) **U.S. Cl.** **D10/126**

(58) **Field of Classification Search** D10/30–39,
D10/122–126; 368/80, 223, 228, 232, 28
See application file for complete search history.

DESCRIPTION

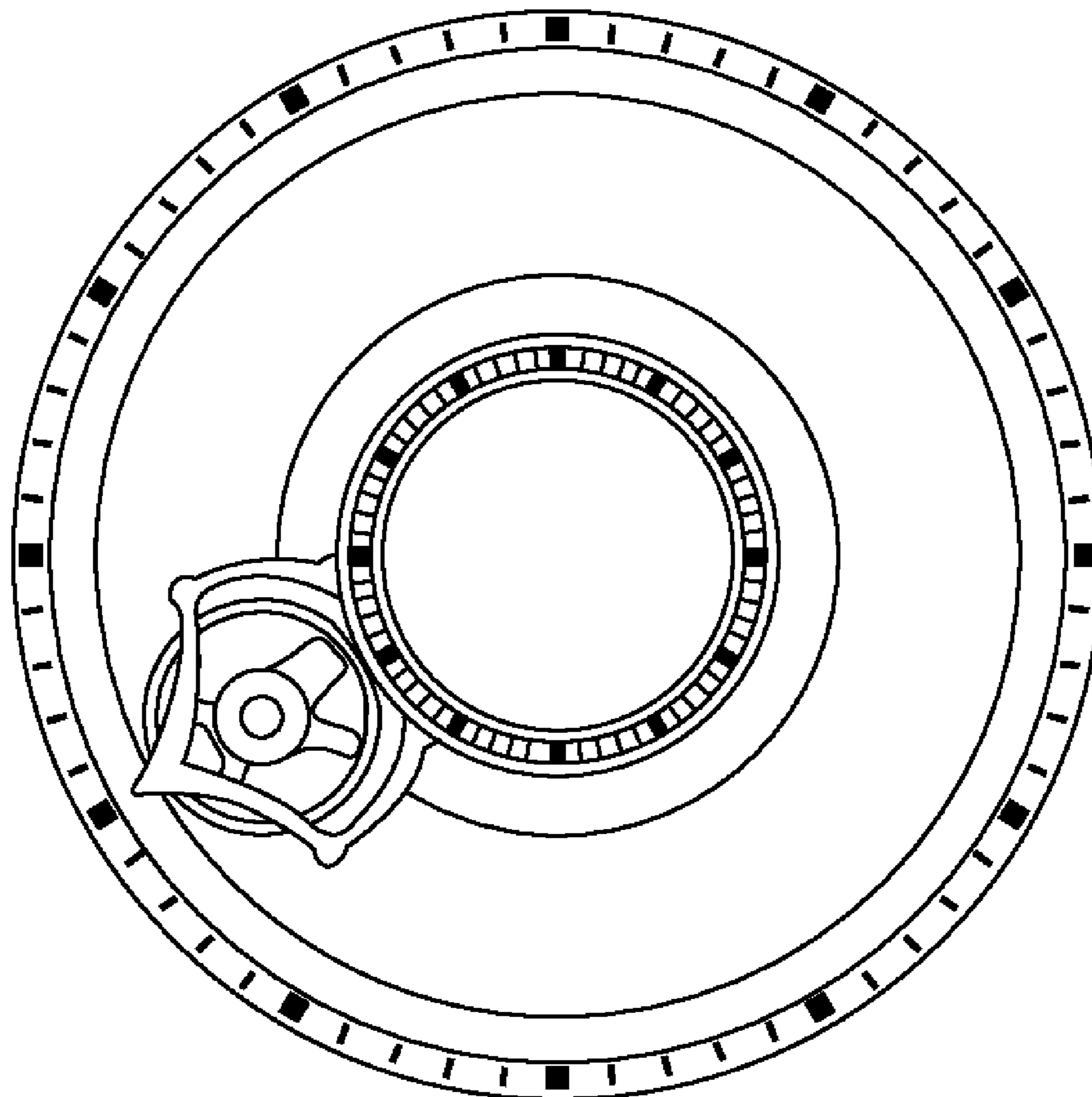
FIG. 1 is a top view of the invention;
FIG. 2 is a bottom view of the invention;
FIG. 3 is a front view of the invention;
FIG. 4 is a back view of the invention;
FIG. 5 is a side view of the invention; and,
FIG. 6 is another side view of the invention, showing the side
opposite that shown in FIG. 5.
The top of the watch dial is flat.

(56) **References Cited**

U.S. PATENT DOCUMENTS

D326,232 S * 5/1992 Kurebayashi D10/39
D357,421 S * 4/1995 Tsukada D10/39
D473,474 S * 4/2003 Wunderman D10/32
D477,236 S * 7/2003 Robert-Tissot D10/39
D481,966 S * 11/2003 Journe D10/126
D535,207 S * 1/2007 Skaggs D10/126

1 Claim, 1 Drawing Sheet



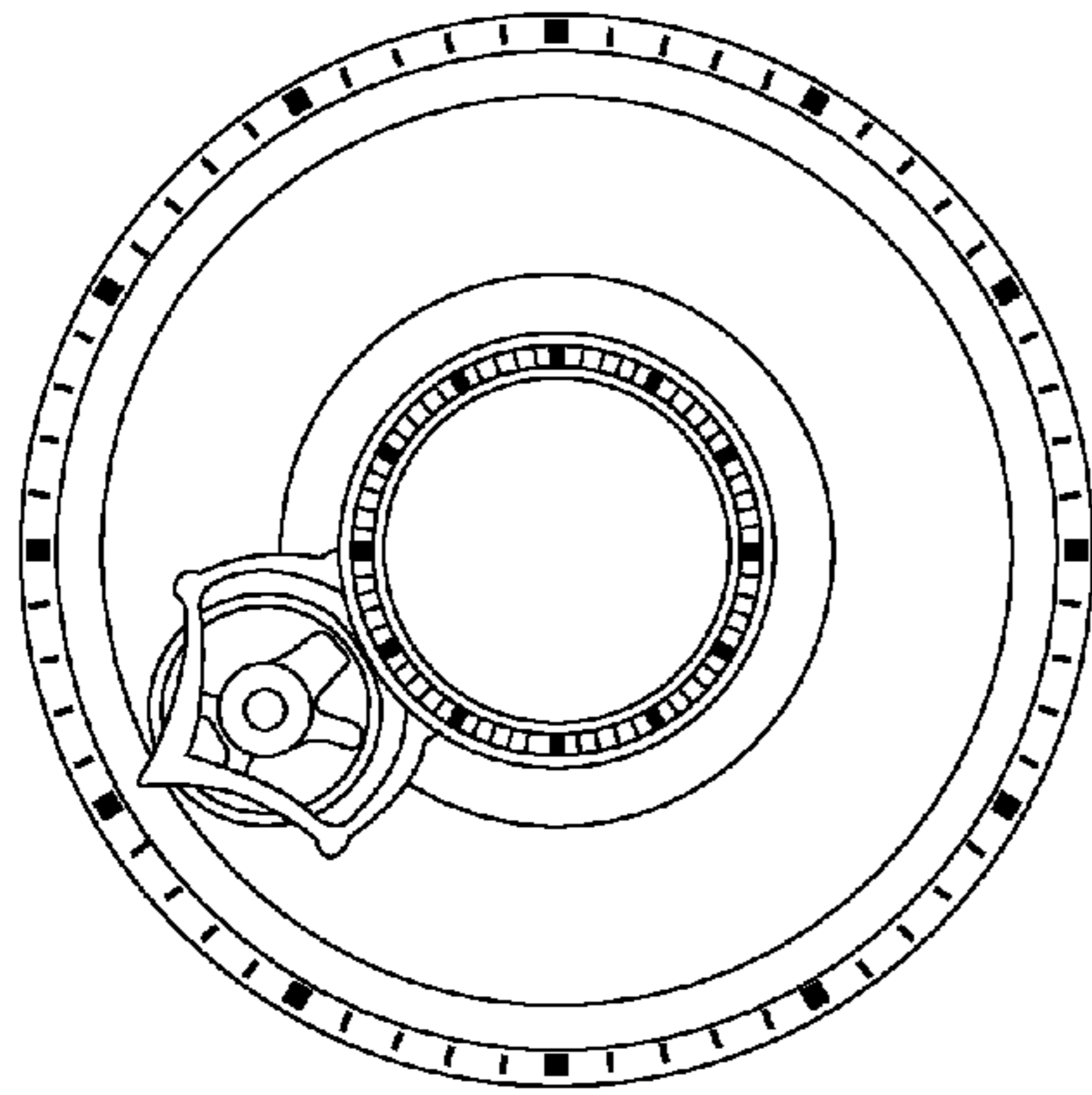


Fig. 1

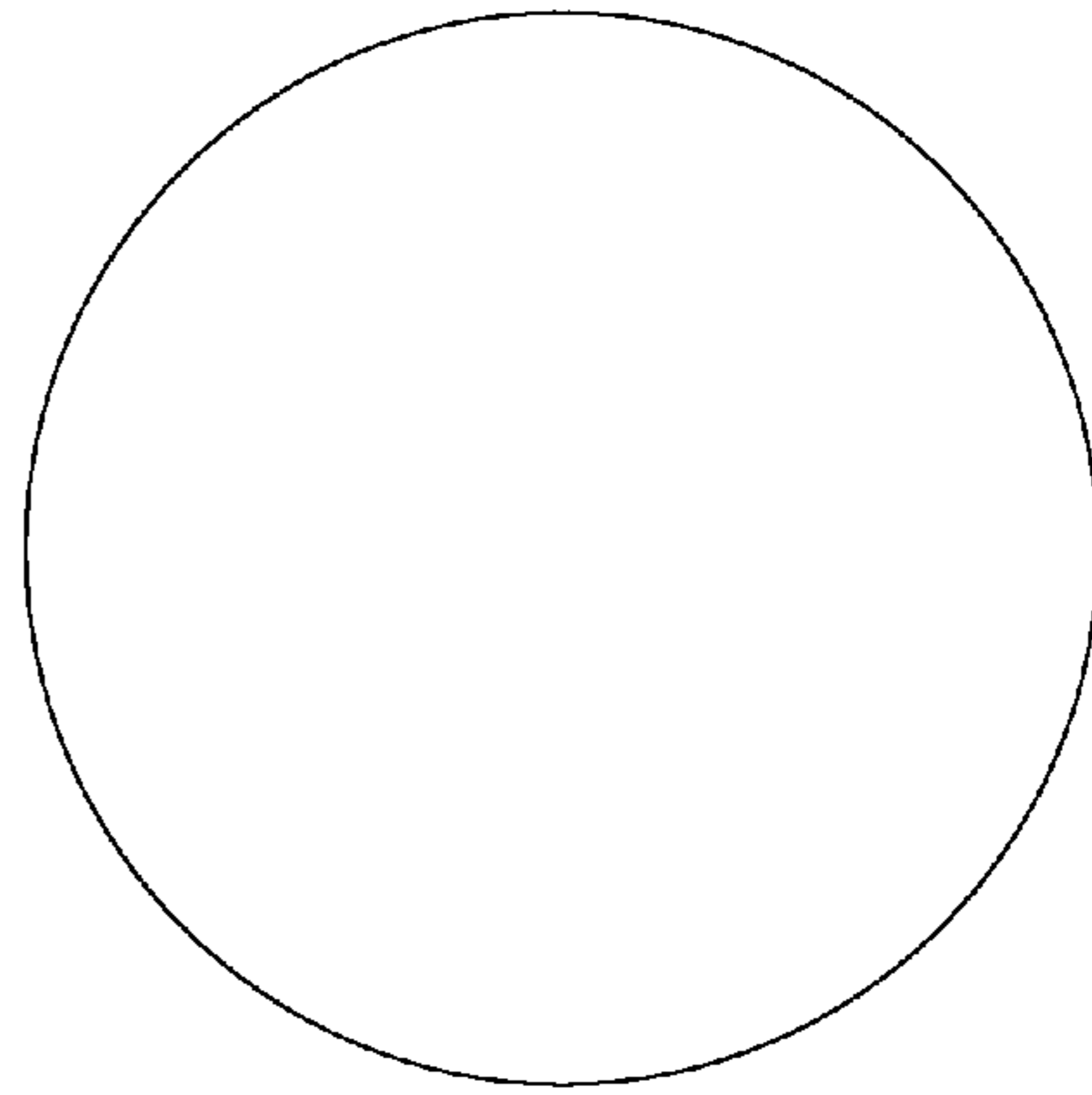


Fig. 2

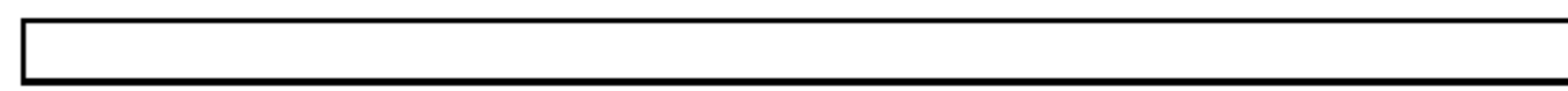


Fig. 3

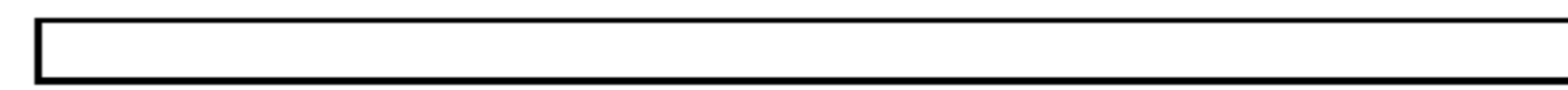


Fig. 4

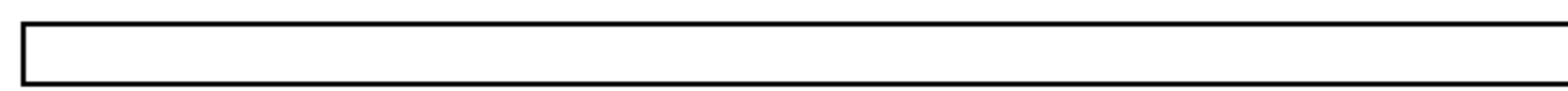


Fig. 5

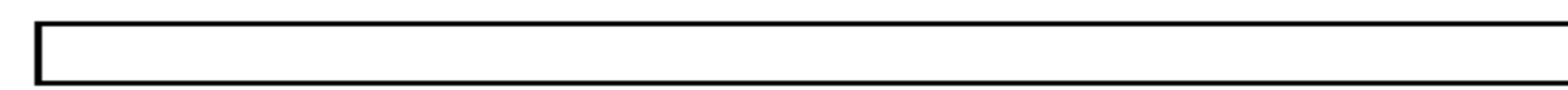


Fig. 6