



US00D628108S

(12) **United States Design Patent**  
**Akdag et al.**

(10) **Patent No.:** **US D628,108 S**

(45) **Date of Patent:** **\*\* Nov. 30, 2010**

(54) **LIFE SAFETY DETECTOR**

(75) Inventors: **Omer Akdag**, Bradenton, FL (US); **Jan A. Braam**, Bradenton, FL (US); **Jeffery Van Keuren**, Bradenton, FL (US); **Paul Schatz**, Bradenton, FL (US); **Gabriel A. Anzziani**, Bradenton, FL (US); **Charles William Dowling**, Bradenton, FL (US)

(73) Assignee: **UTC Fire & Security Americas Corporation, Inc.**, Bradenton, FL (US)

(\*\*) Term: **14 Years**

(21) Appl. No.: **29/346,903**

(22) Filed: **Nov. 9, 2009**

(51) **LOC (9) Cl.** ..... **10-05**

(52) **U.S. Cl.** ..... **D10/106**

(58) **Field of Classification Search** ..... D10/104,  
D10/106; 340/628, 632, 634  
See application file for complete search history.

(56) **References Cited**

**U.S. PATENT DOCUMENTS**

D241,824 S	*	10/1976	Mackay	.....	D10/106
D246,443 S		11/1977	Ernest		
D247,665 S		4/1978	Larsen		
D308,836 S	*	6/1990	Fenne	.....	D10/106
D316,828 S		5/1991	Amemiya et al.		
D319,798 S		9/1991	Hatano		
D332,231 S		1/1993	Akimoto et al.		
D342,213 S		12/1993	Fellmann		
D357,202 S		4/1995	Ozawa		
D357,203 S		4/1995	Ozawa		
D358,109 S		5/1995	Ozawa		
D382,217 S		8/1997	Akiyama et al.		
D383,407 S		9/1997	Repp et al.		
D388,351 S		12/1997	Repp et al.		

D388,352 S		12/1997	Repp et al.		
D391,185 S		2/1998	Tomizawa		
D392,573 S		3/1998	Repp et al.		
D395,614 S		6/1998	Denoon-Stevens		
D450,008 S		11/2001	Sakurai et al.		
D453,304 S	*	2/2002	Job	.....	D10/106
D472,488 S	*	4/2003	Job	.....	D10/106
D475,943 S		6/2003	Runciman		
D476,252 S		6/2003	Runciman		
D477,544 S		7/2003	Renner et al.		

\* cited by examiner

*Primary Examiner*—Caron Veynar

*Assistant Examiner*—George D Kirschbaum

(74) *Attorney, Agent, or Firm*—Armstrong Teasdale LLP

(57) **CLAIM**

The ornamental design for the life safety detector, as shown.

**DESCRIPTION**

FIG. 1 is a top view of a life safety detector showing our new design;

FIG. 2 is a rear side view thereof;

FIG. 3 is a front side view thereof;

FIG. 4 is a bottom side view thereof;

FIG. 5 is a right side view thereof;

FIG. 6 is a left side view thereof;

FIG. 7 is a bottom left perspective view thereof;

FIG. 8 is a top left perspective view thereof

FIG. 9 is a bottom right perspective view thereof; and,

FIG. 10 is a top right perspective view thereof.

The broken line showing of indicia on the side of the design forms no part of the claimed design.

**1 Claim, 4 Drawing Sheets**

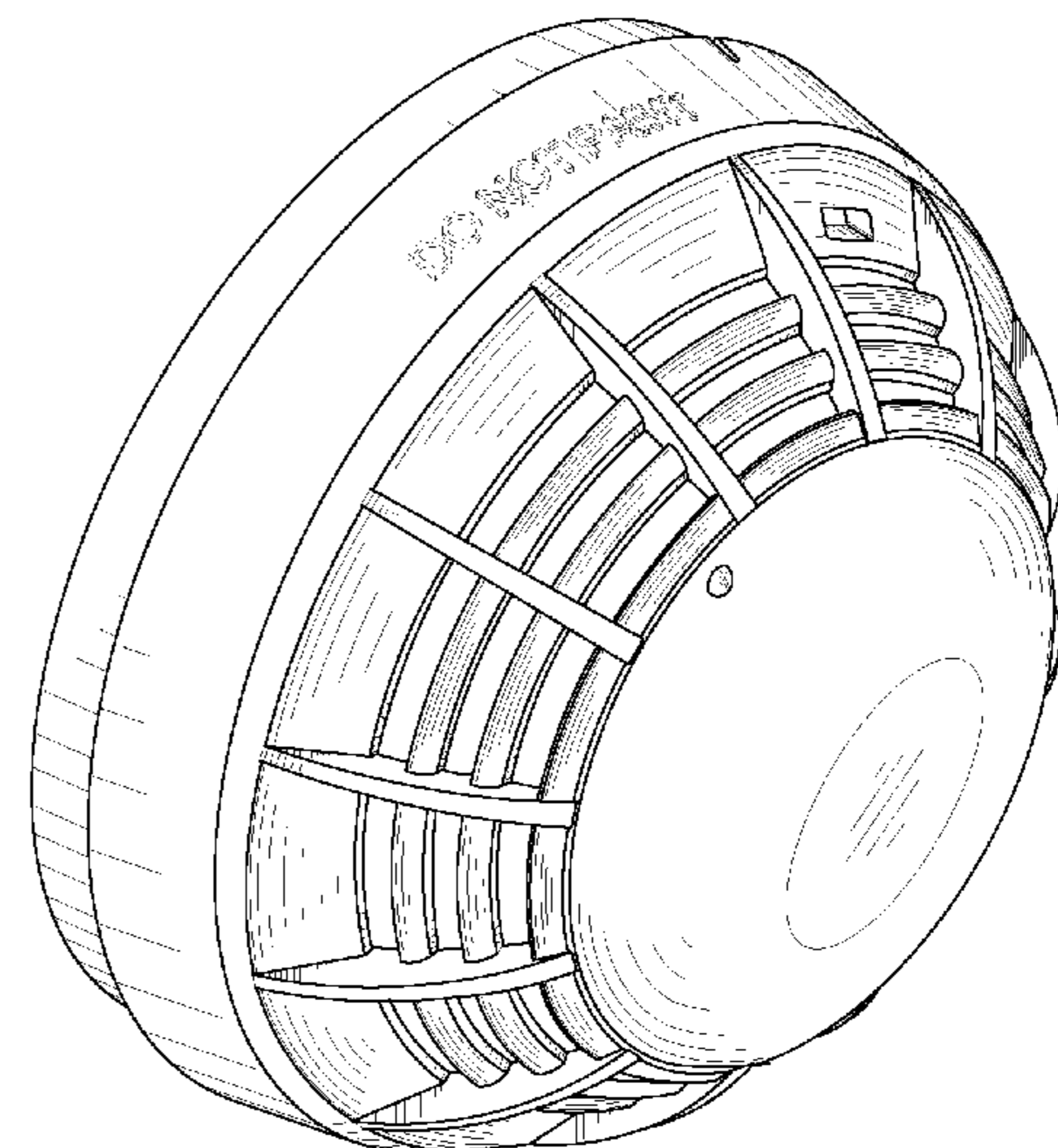
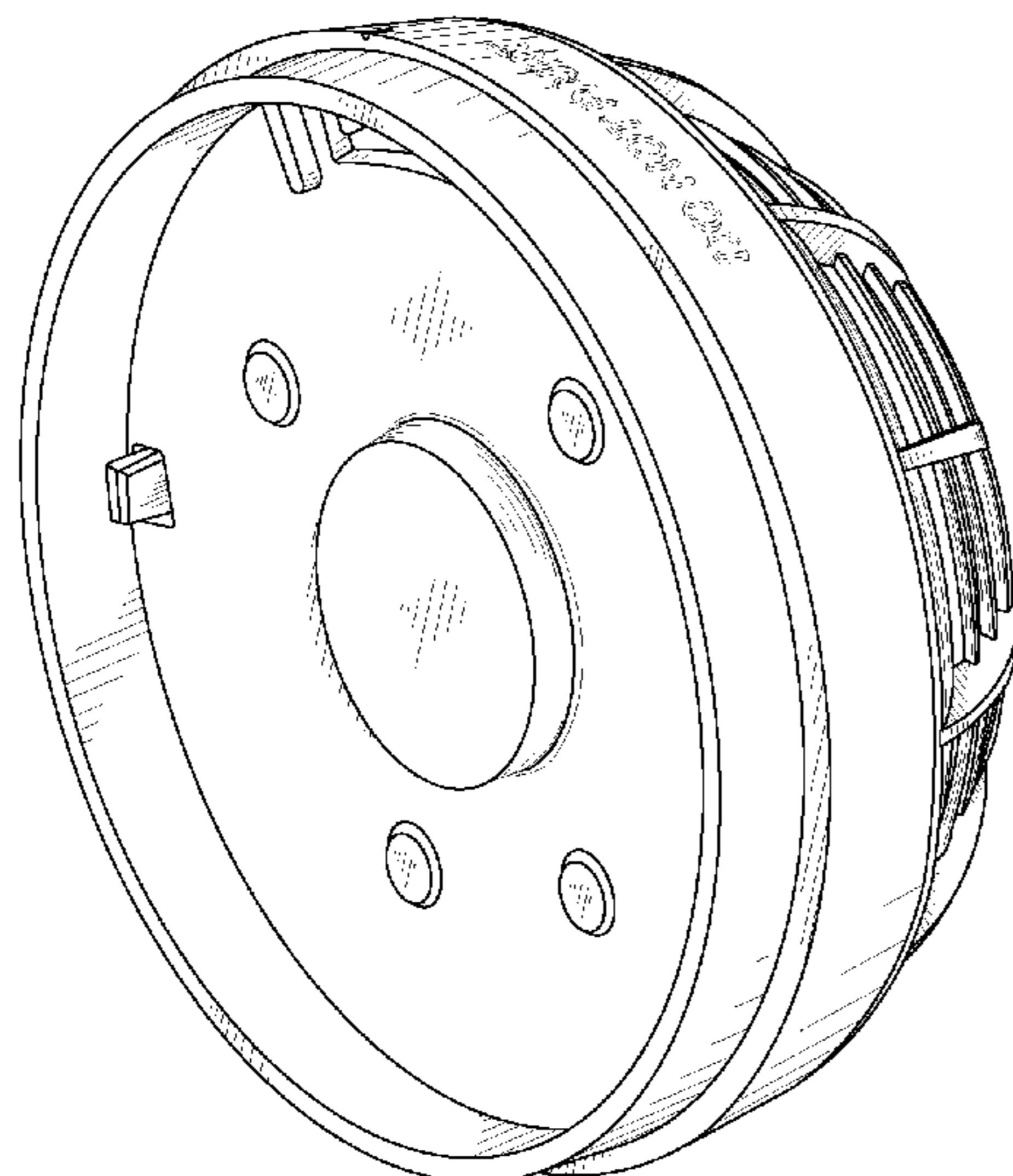


FIG. 1

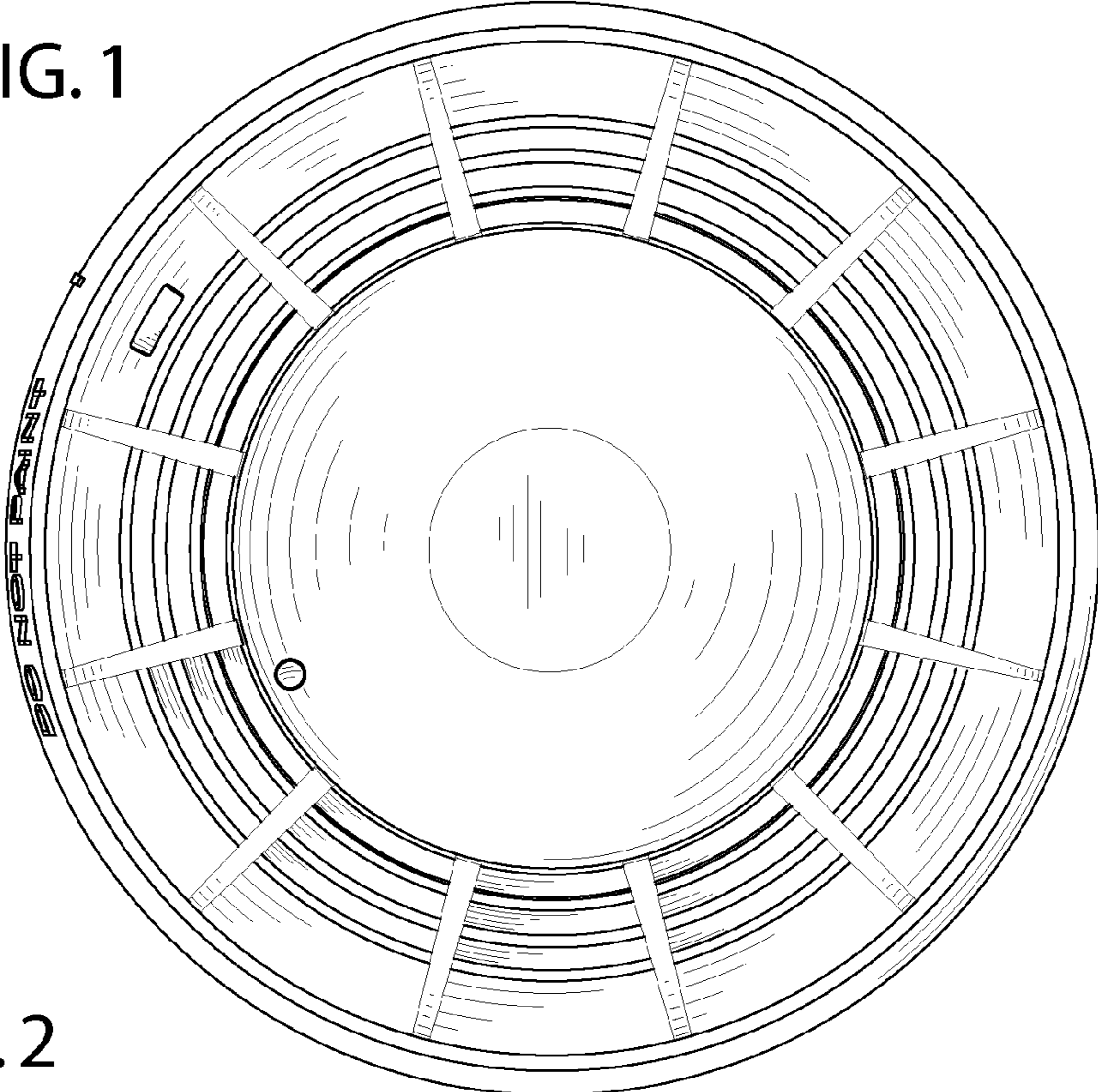


FIG. 2

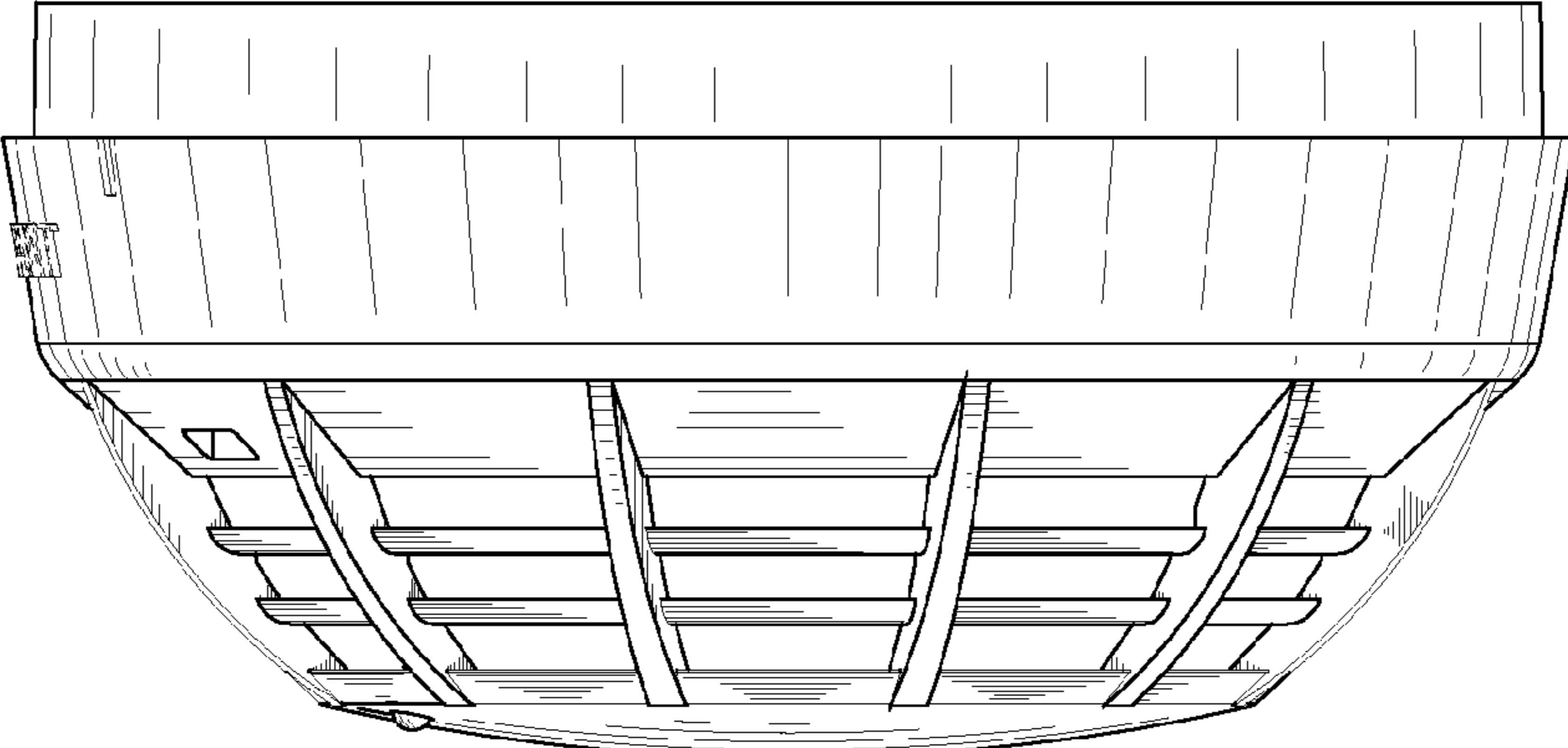


FIG. 3

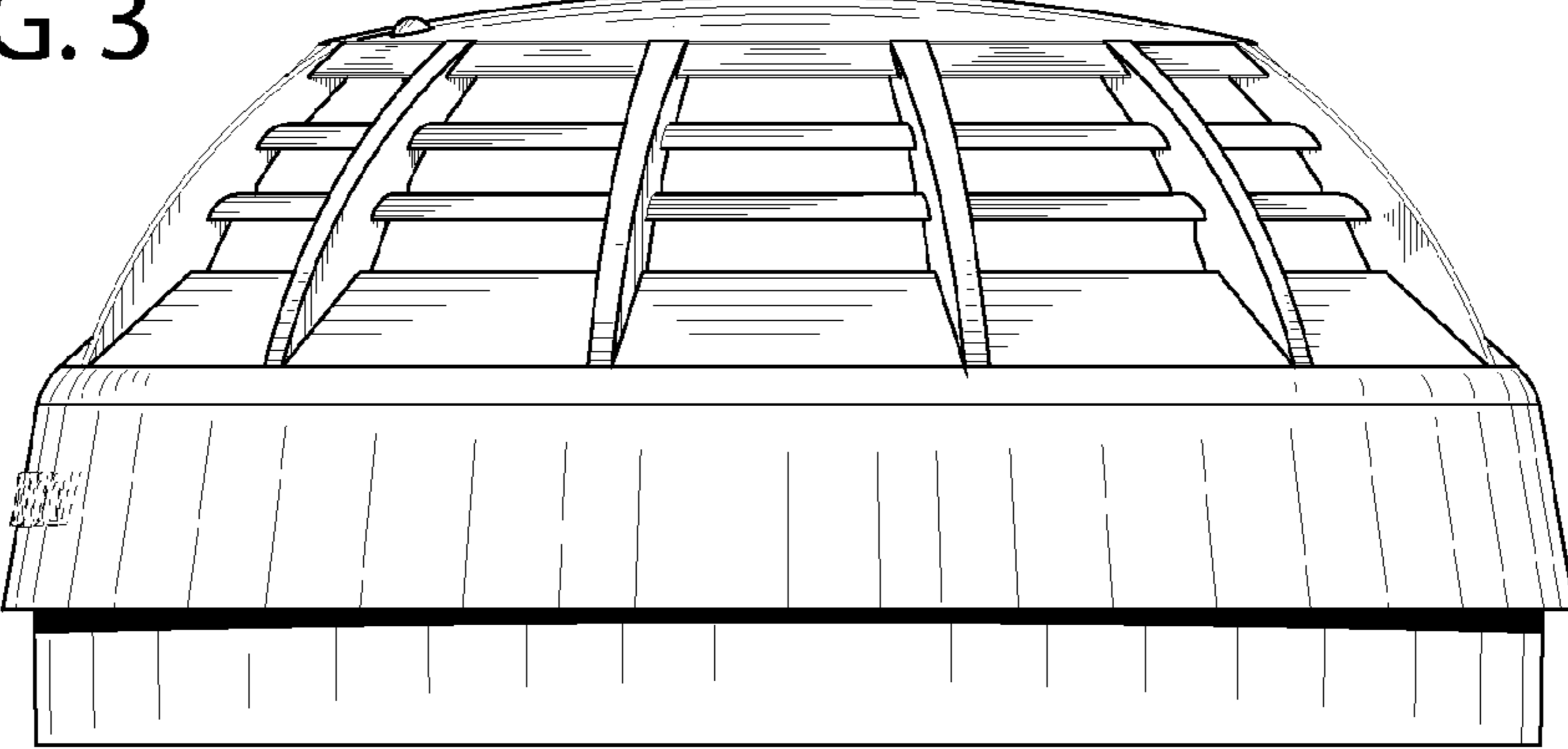


FIG. 6

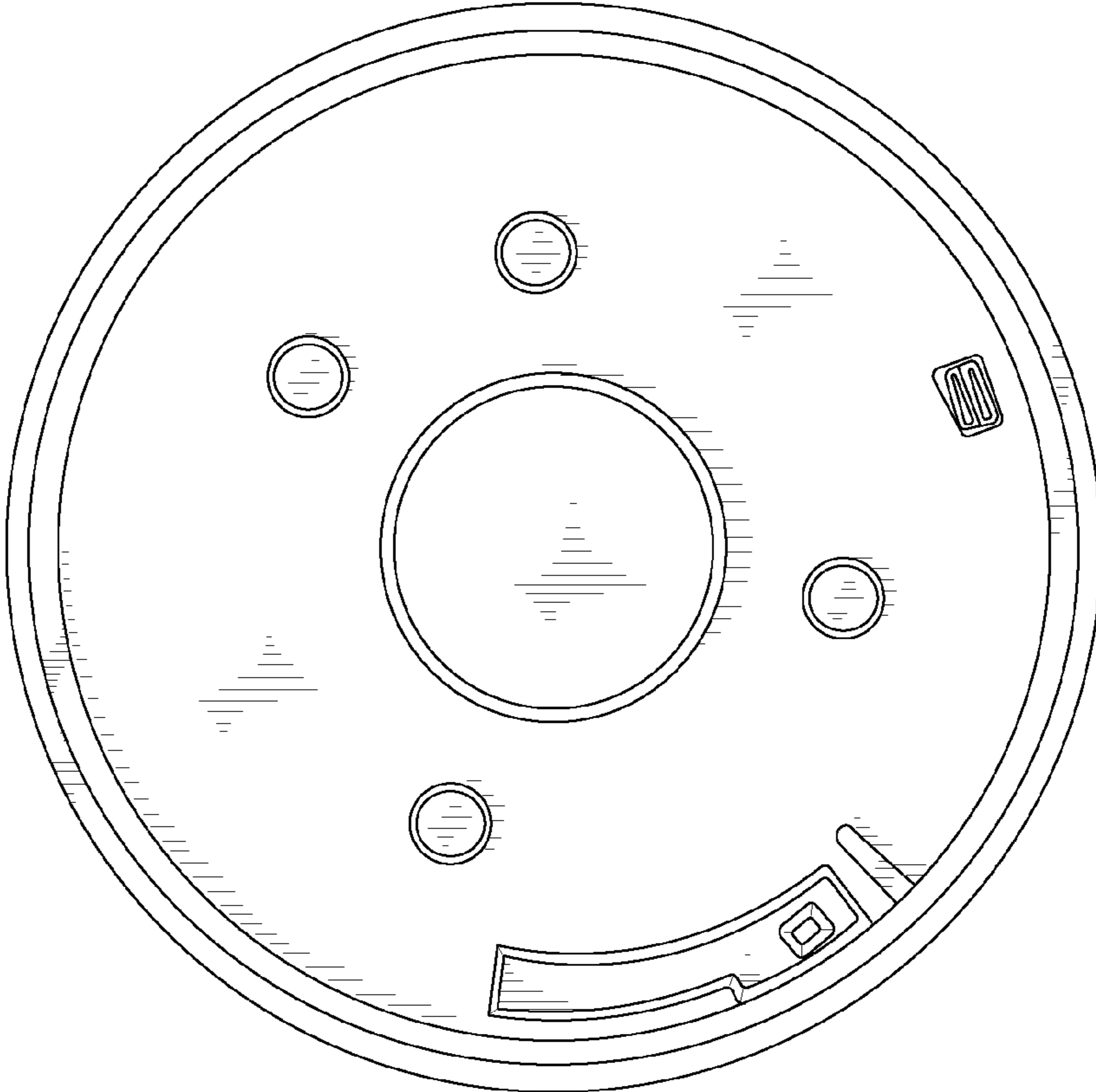


FIG. 5

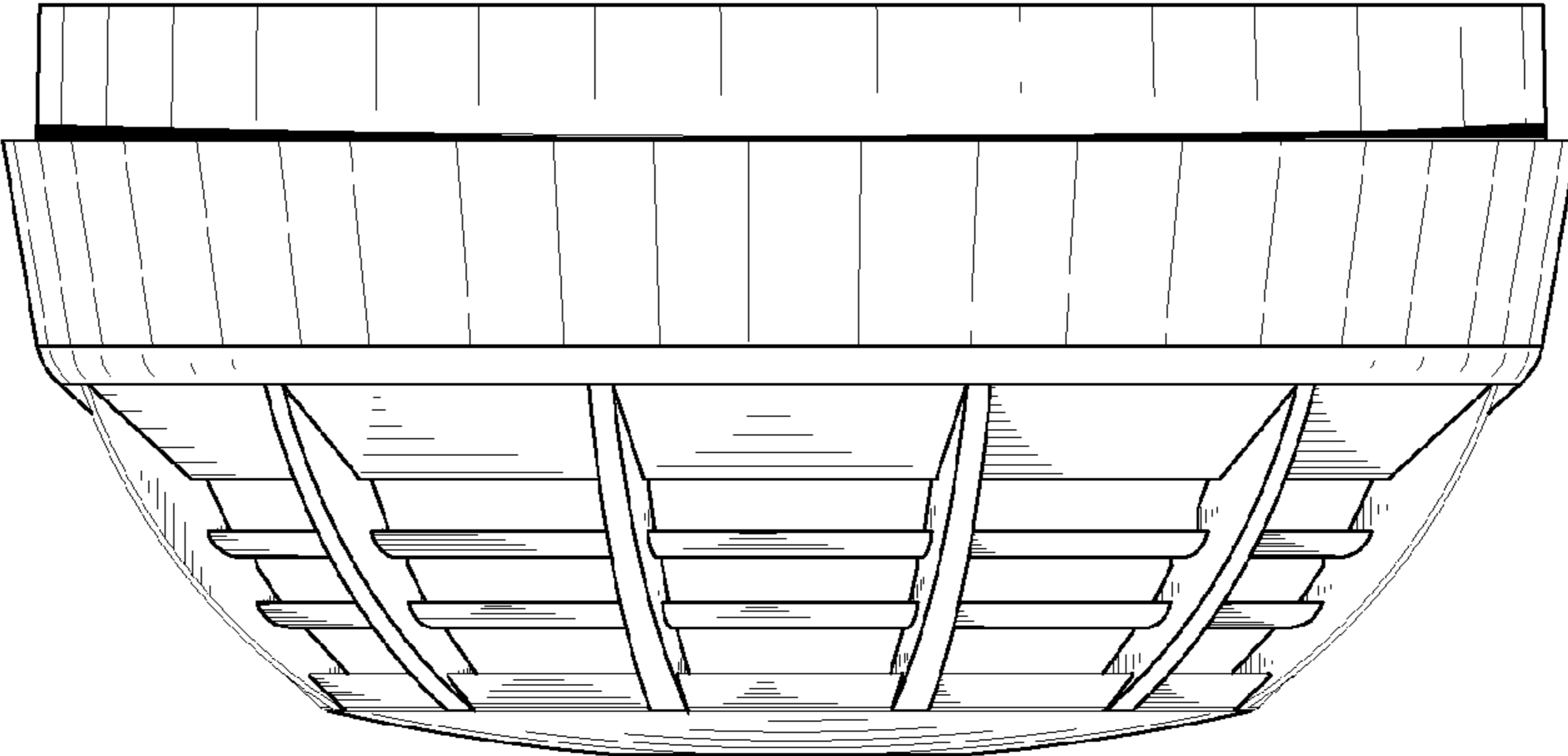


FIG. 4

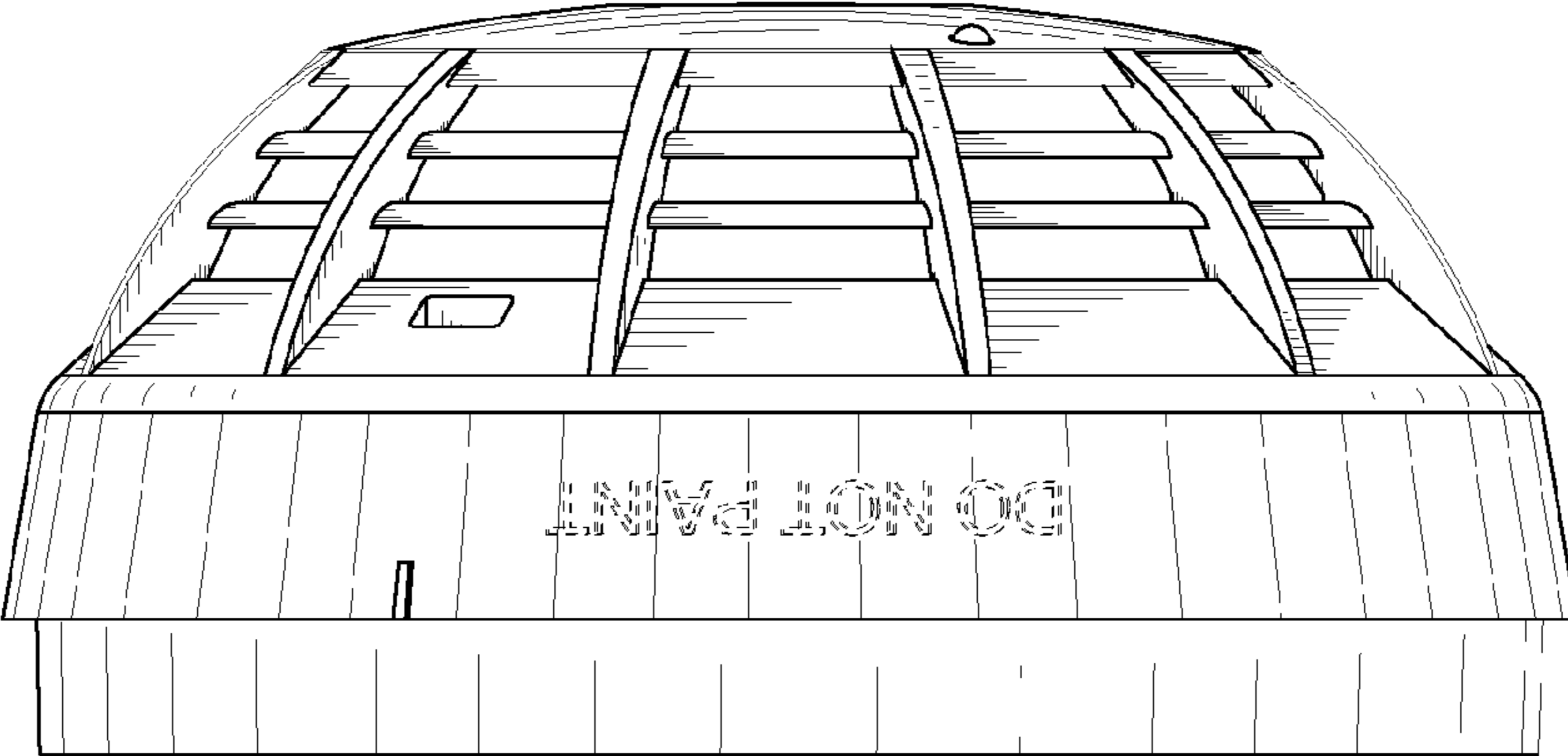


FIG. 7

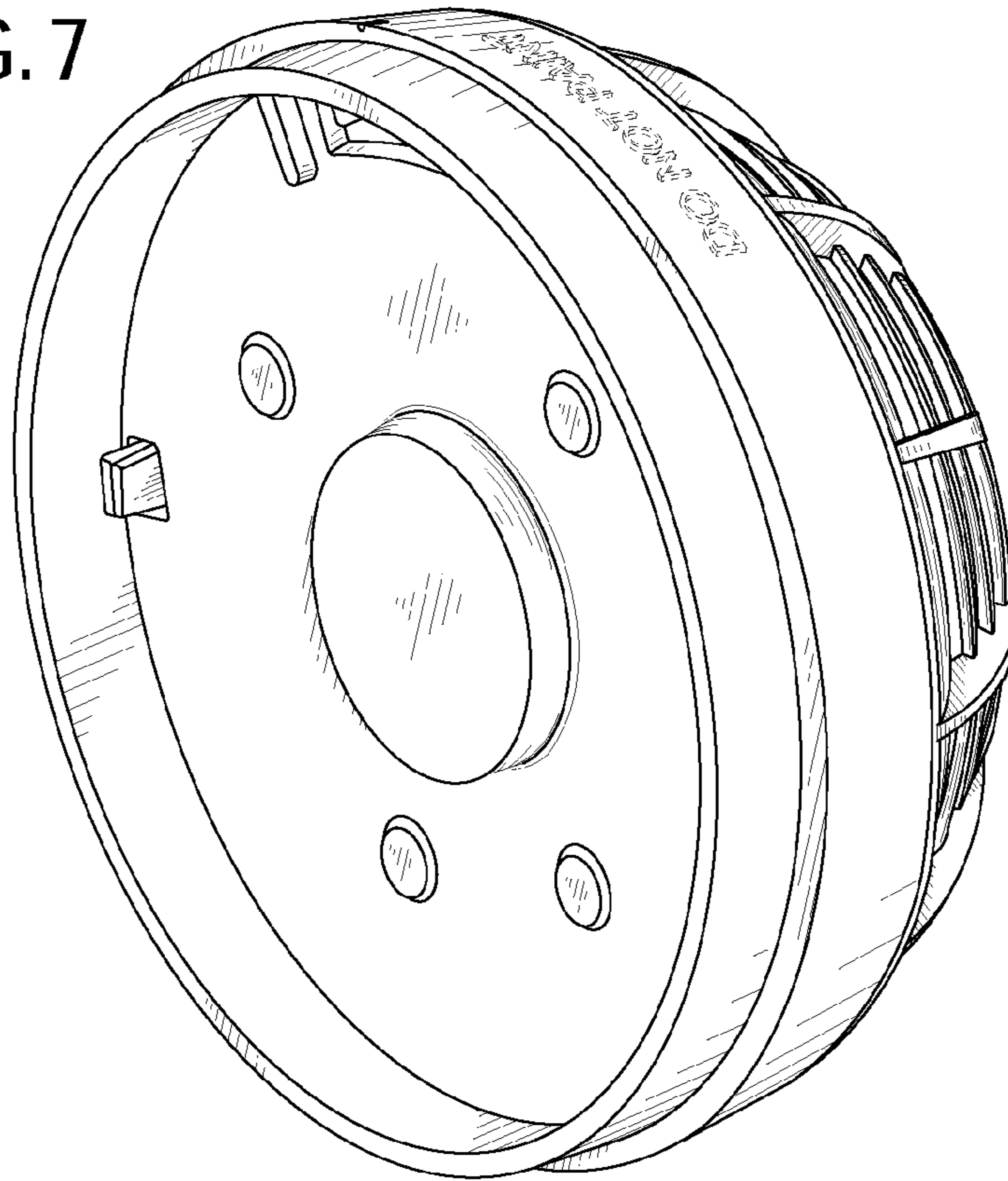


FIG. 8

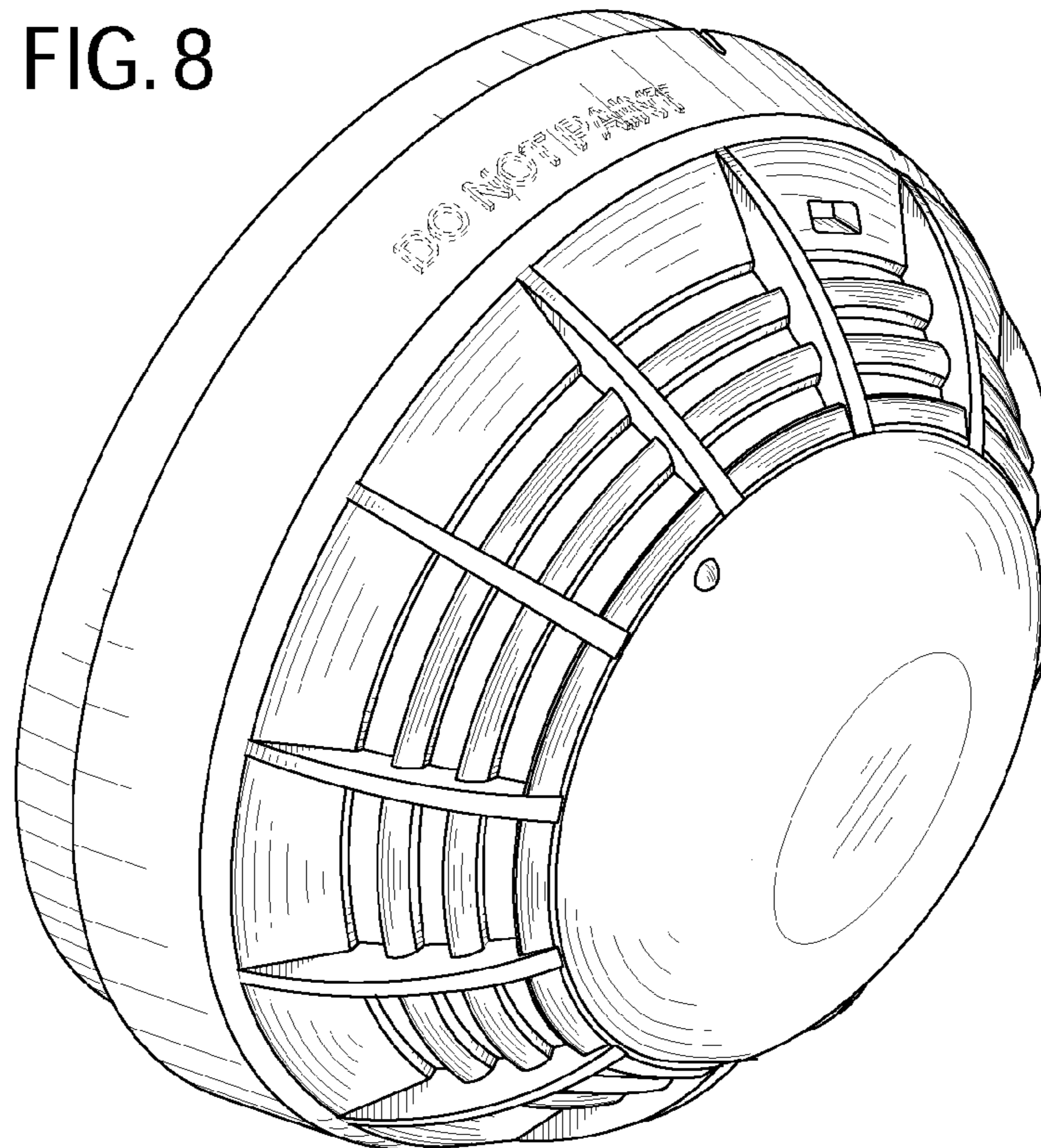


FIG. 9

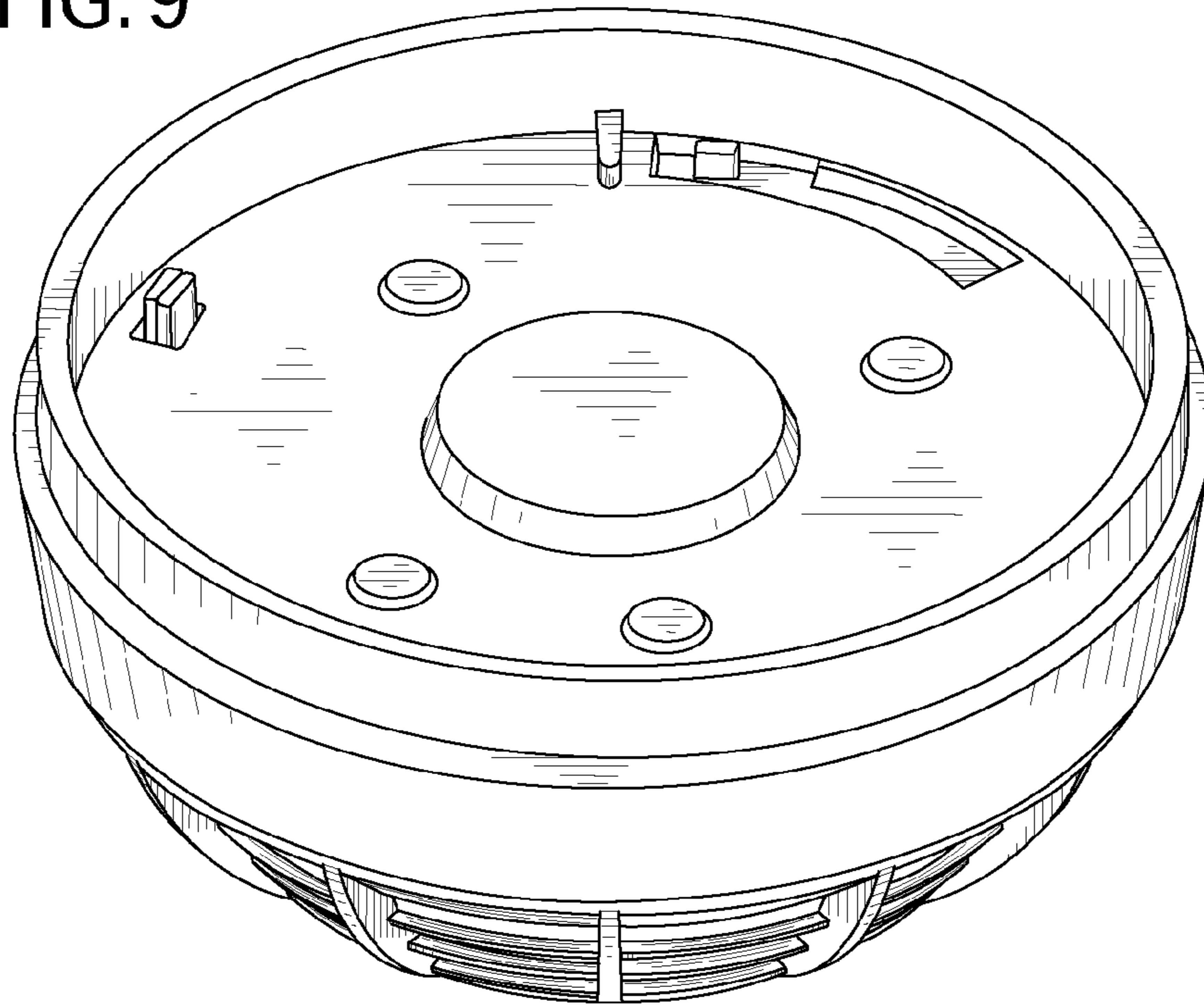


FIG. 10

