



US00D628106S

(12) **United States Design Patent**
Kabaya

(10) **Patent No.:** **US D628,106 S**

(45) **Date of Patent:** **** Nov. 30, 2010**

(54) **CONVERTER FOR A FLOWMETER**

D613,195 S * 4/2010 Kabaya D10/96
D613,196 S * 4/2010 Kabaya D10/96

(75) Inventor: **Hiroyuki Kabaya**, Tokyo (JP)

* cited by examiner

(73) Assignee: **Oval Corporation**, Tokyo (JP)

Primary Examiner—Antoine D Davis

(**) Term: **14 Years**

(74) *Attorney, Agent, or Firm*—Wenderoth, Lind & Ponack,
L.L.P.

(21) Appl. No.: **29/347,077**

(57) **CLAIM**

(22) Filed: **Sep. 17, 2009**

The ornamental design for a converter for a flowmeter, as shown and described.

(30) **Foreign Application Priority Data**

Mar. 23, 2009 (JP) 2009-006376

DESCRIPTION

(51) **LOC (9) Cl.** **10-04**

FIG. 1 is a front view of the invention;

(52) **U.S. Cl.** **D10/96**

FIG. 2 is a plan view of the invention;

(58) **Field of Classification Search** D10/96;

FIG. 3 is a back view of the invention;

73/201, 273, 204.21, 861.63, 861.64, 861.351–861.357

FIG. 4 is a bottom view of the invention;

See application file for complete search history.

FIG. 5 is a right side view of the invention;

FIG. 6 is a left side view of the invention;

(56) **References Cited**

FIG. 7 is a first perspective view of the invention; and,

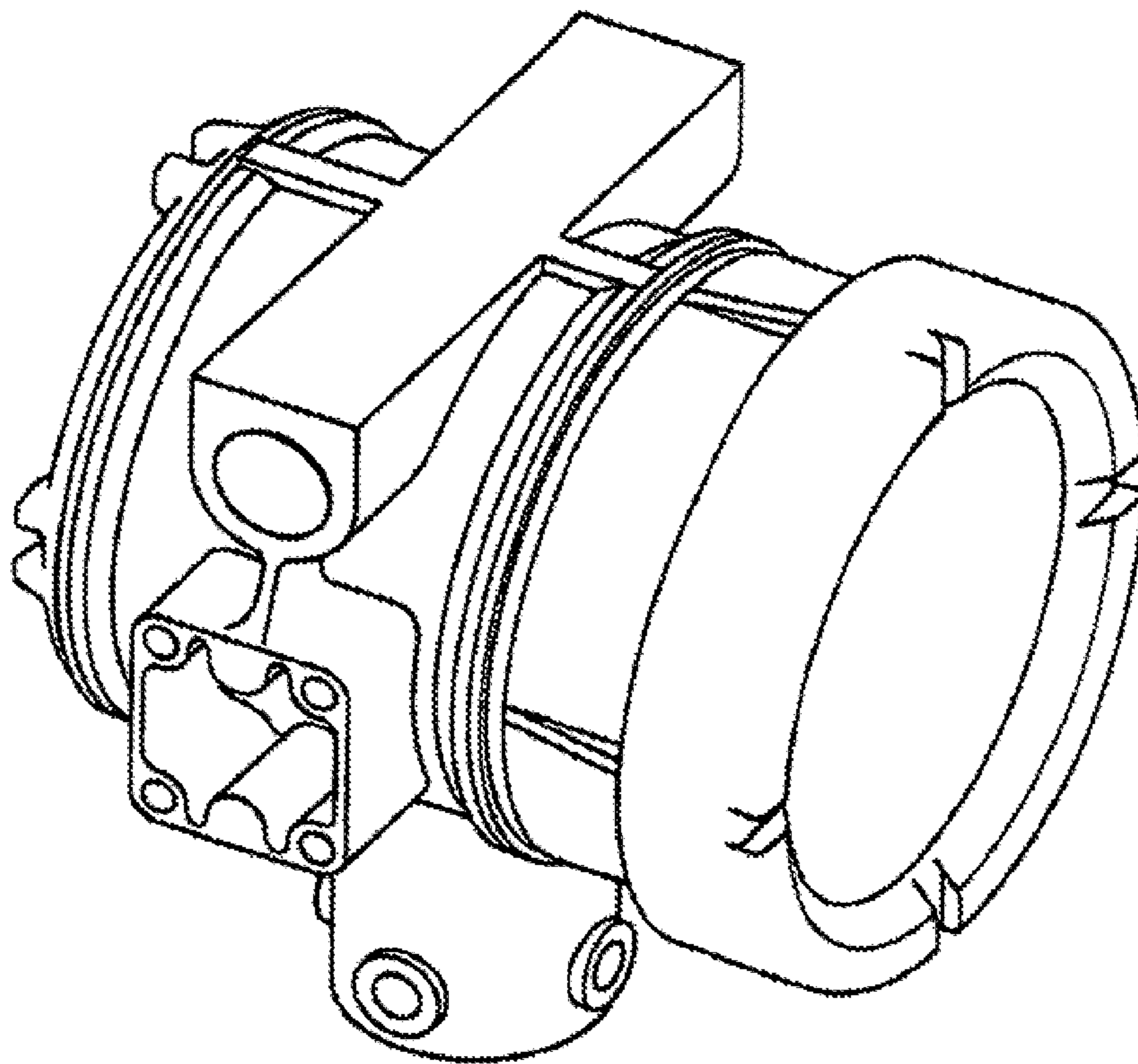
U.S. PATENT DOCUMENTS

FIG. 8 is a second perspective view of the invention.

7,325,462 B2 * 2/2008 Bitto et al. 73/861.355

7,610,795 B2 * 11/2009 Bitto et al. 73/32 A

1 Claim, 8 Drawing Sheets



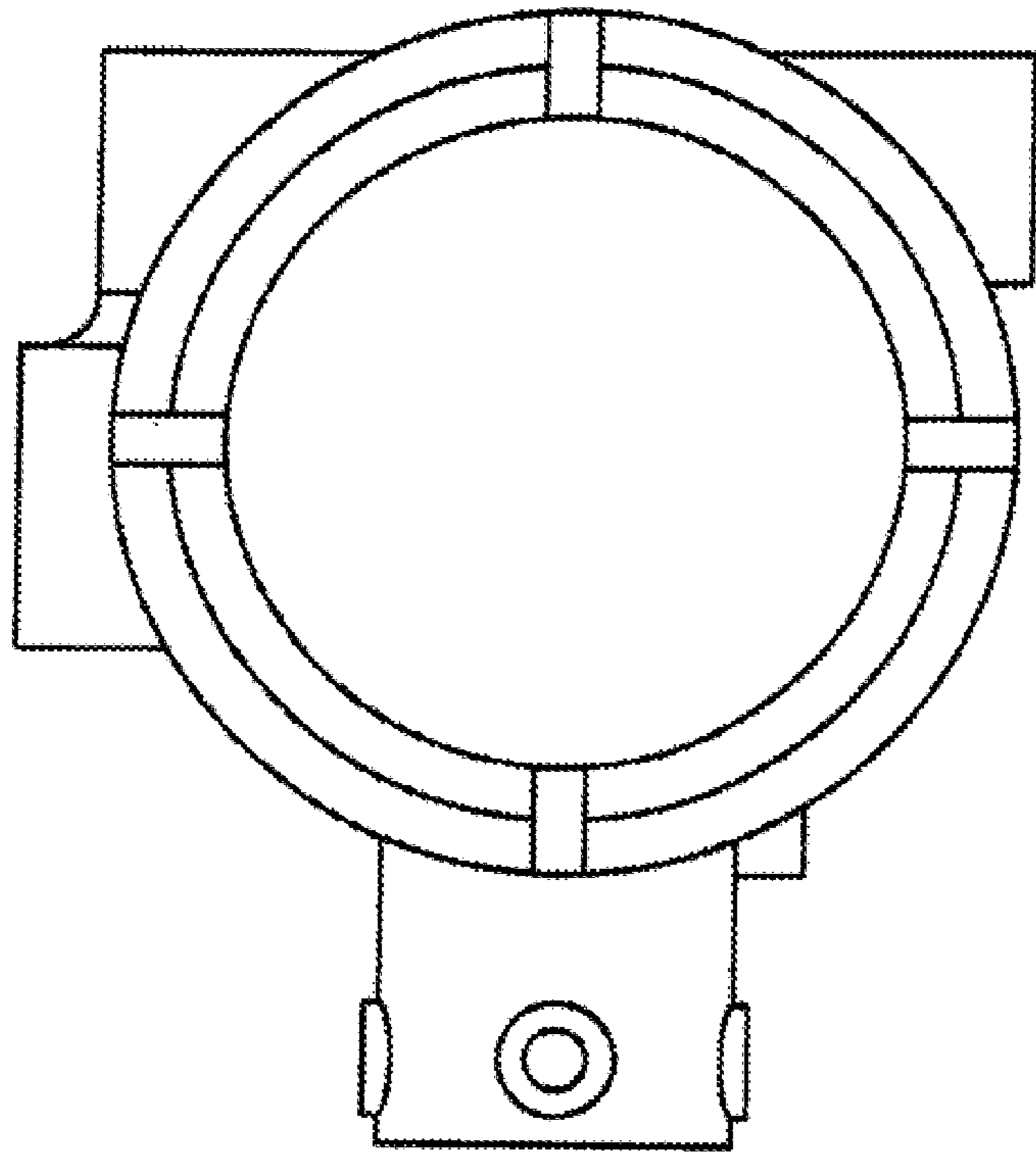


FIG. 1

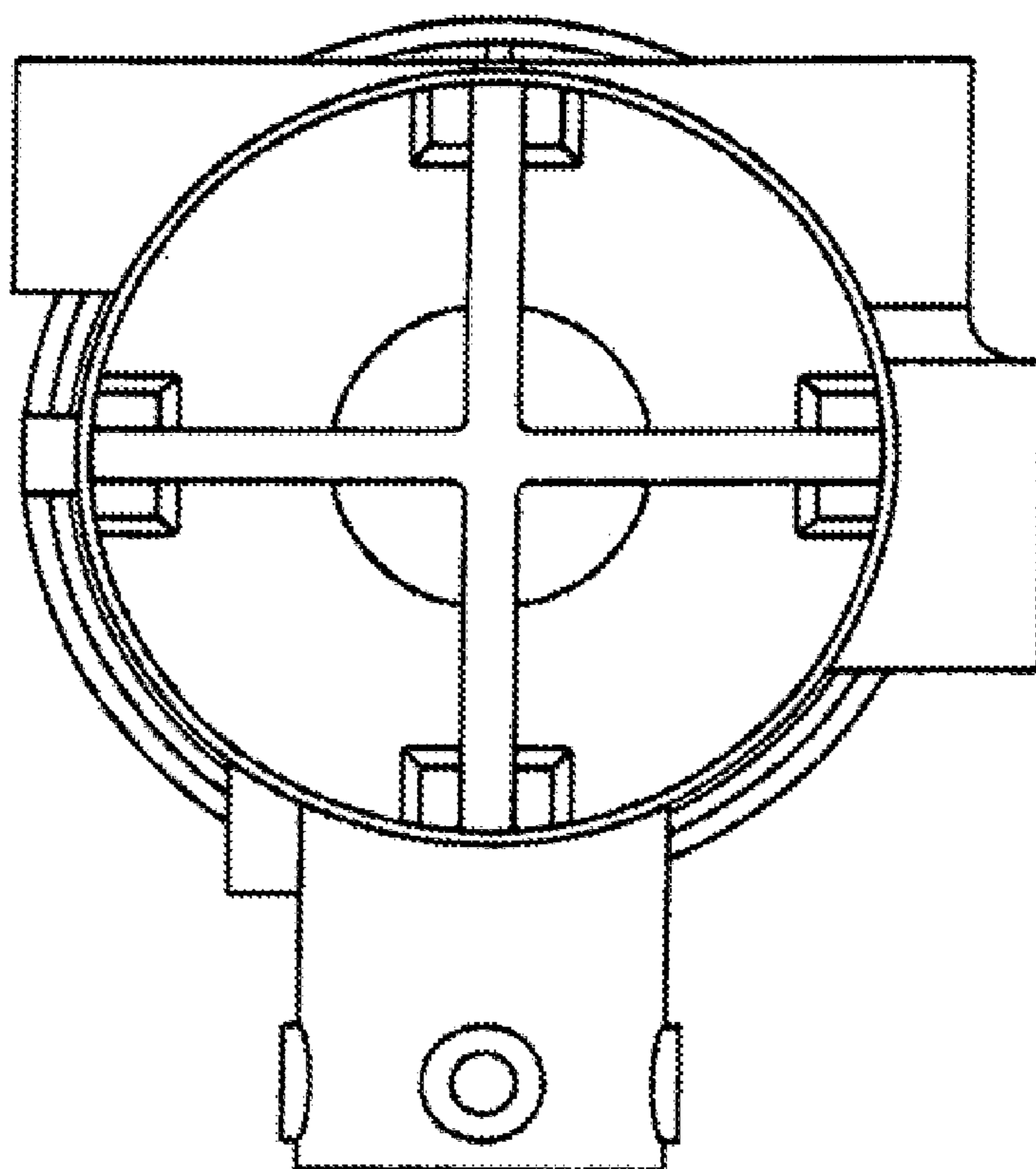


FIG. 2

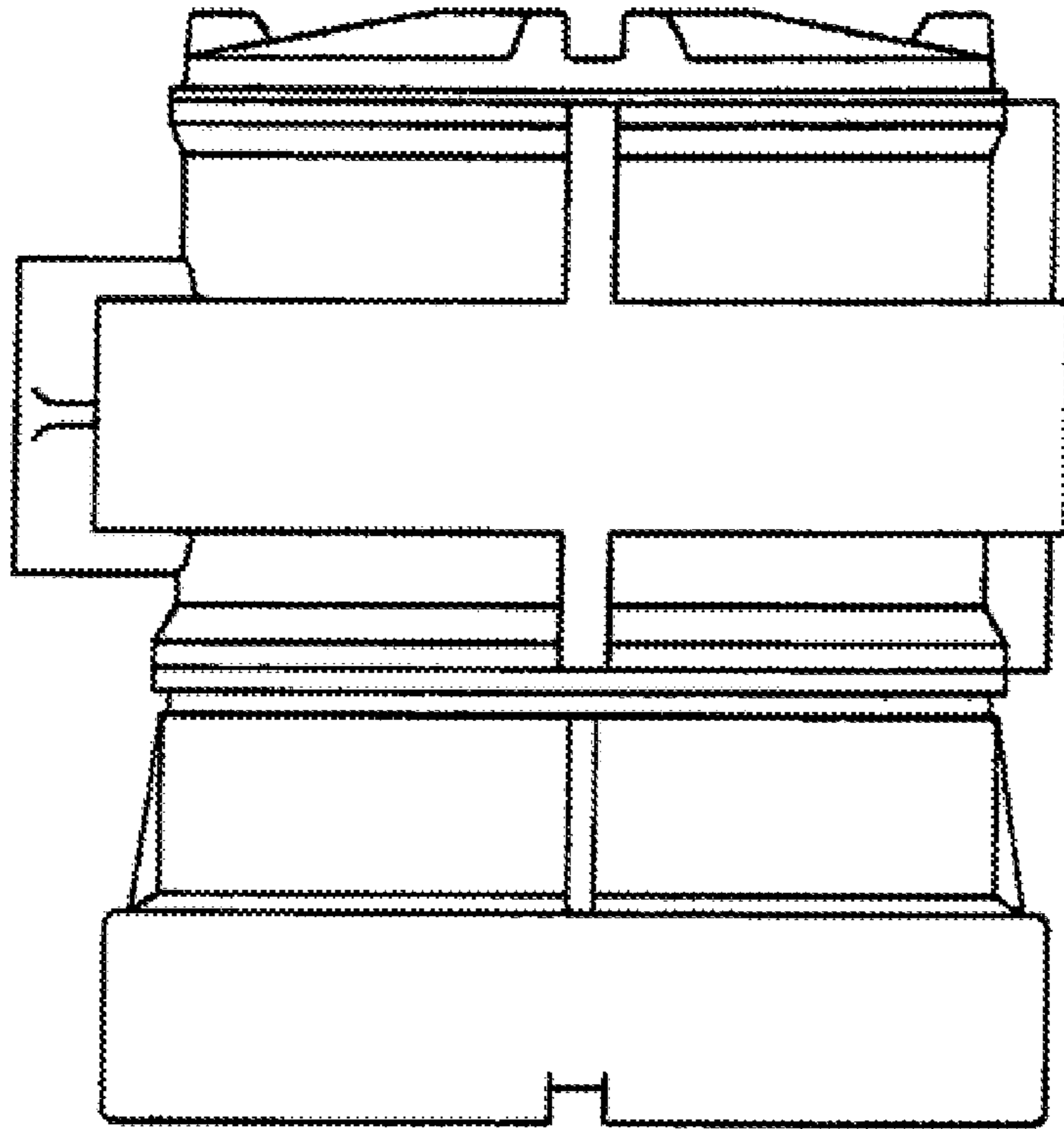


FIG. 3

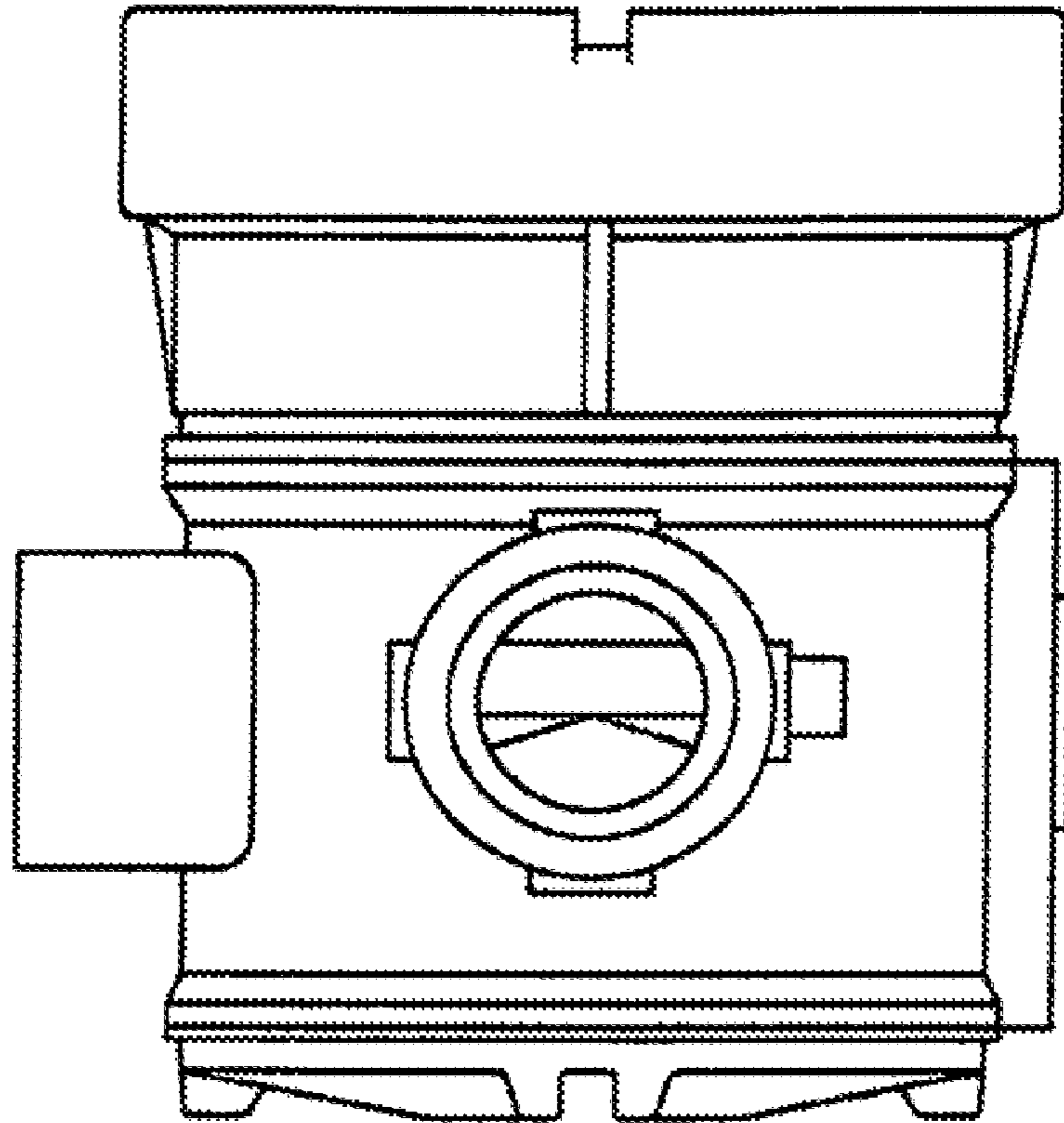


FIG. 4

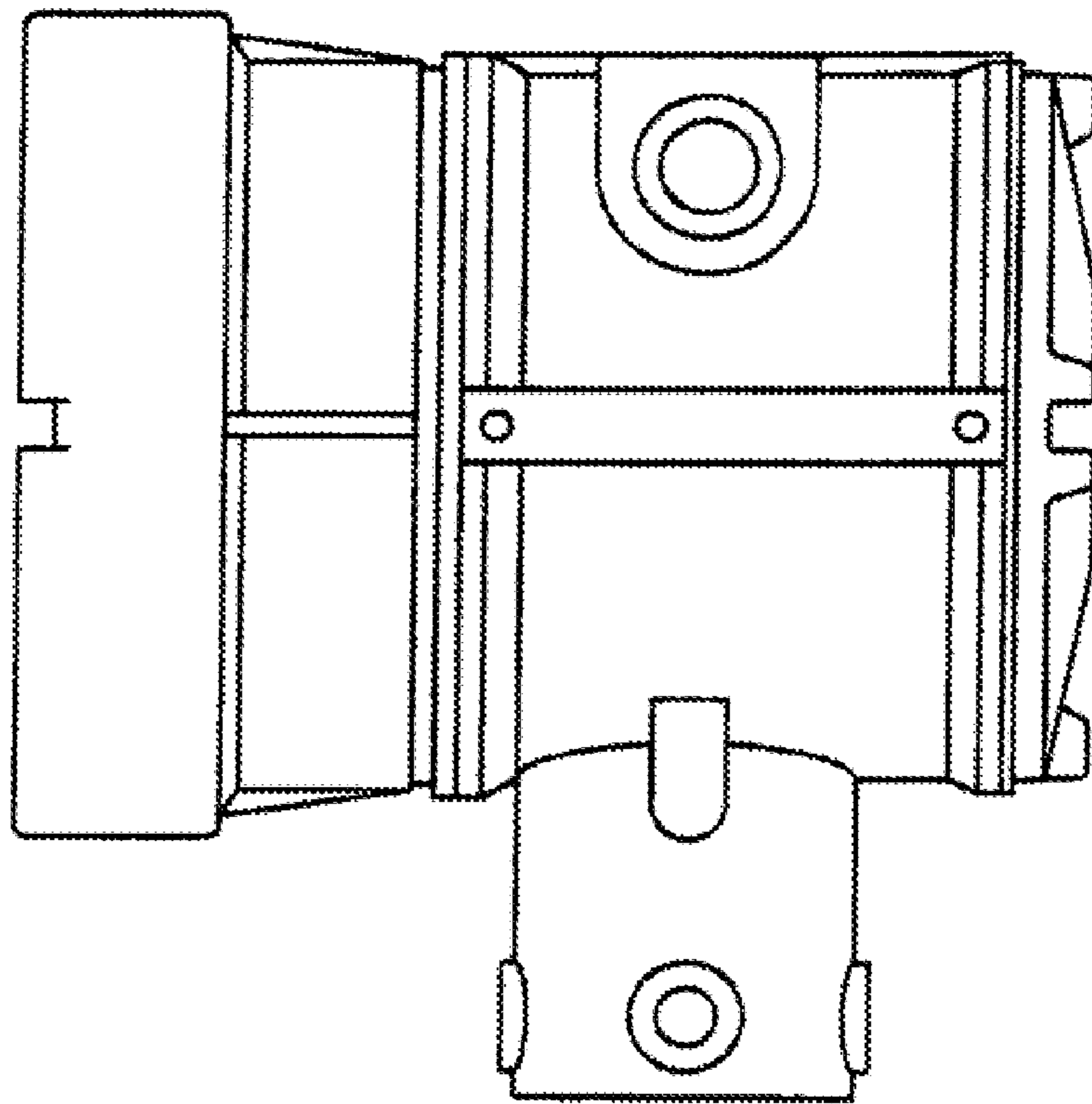


FIG. 5

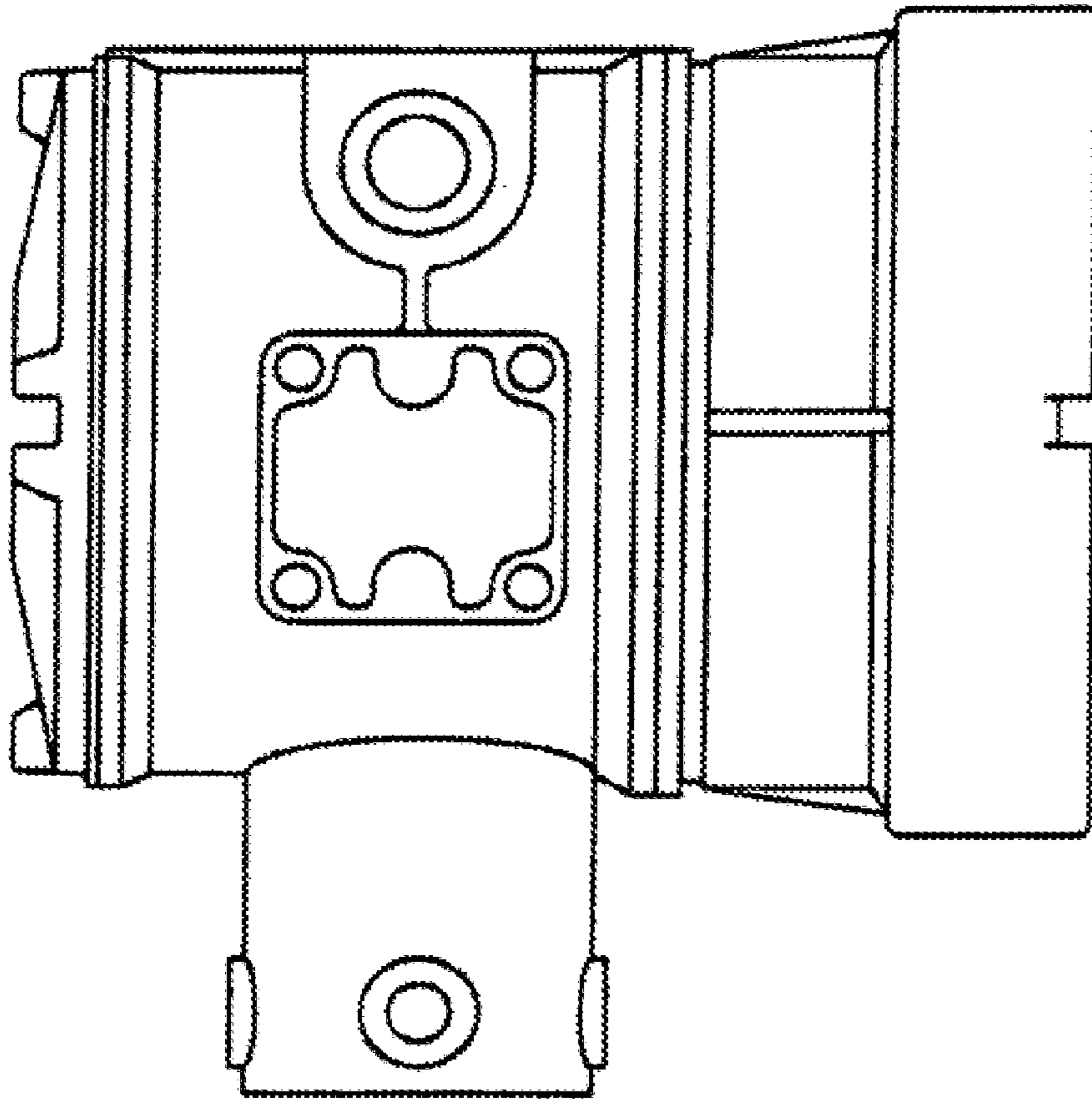


FIG. 6

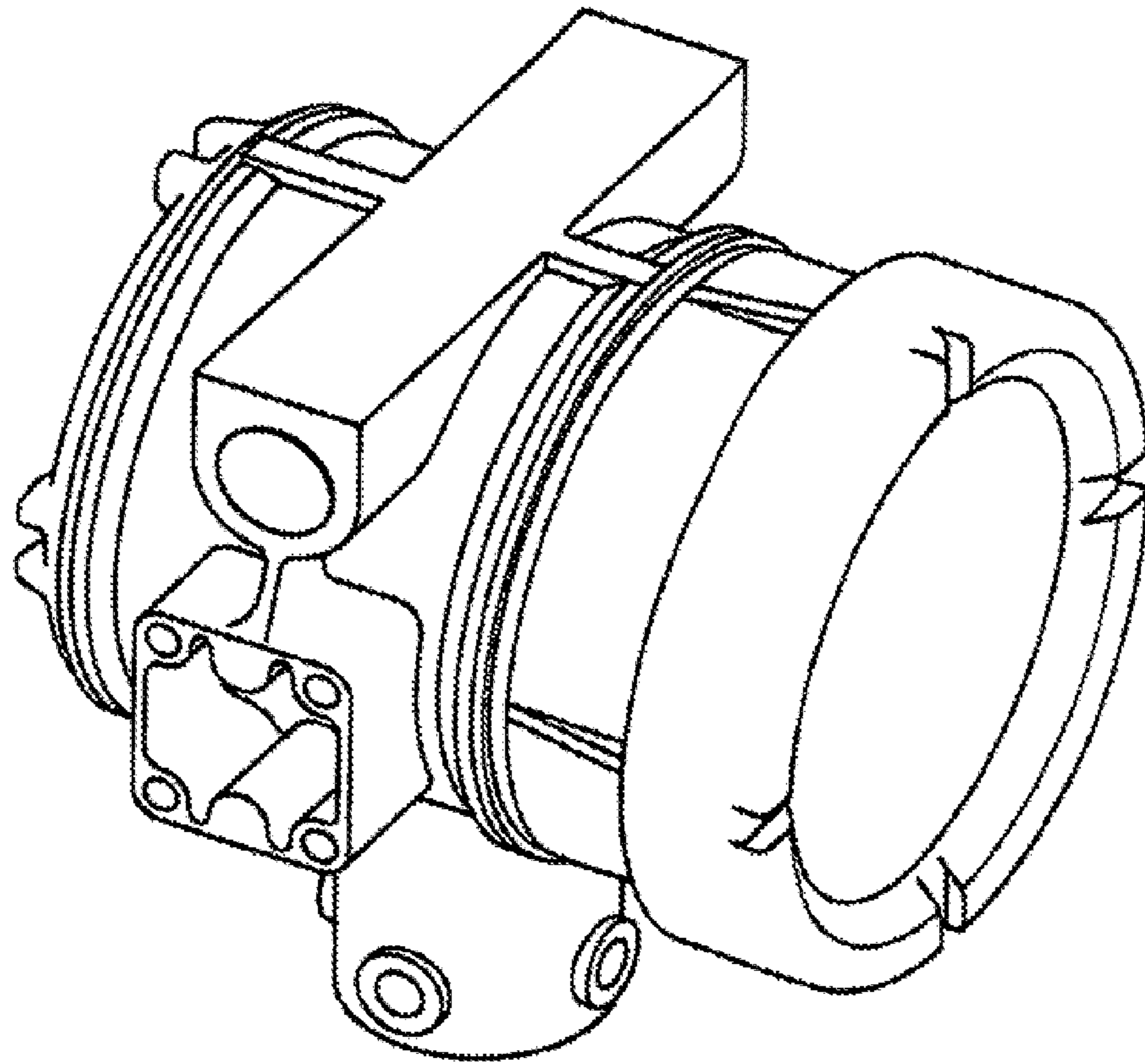


FIG. 7

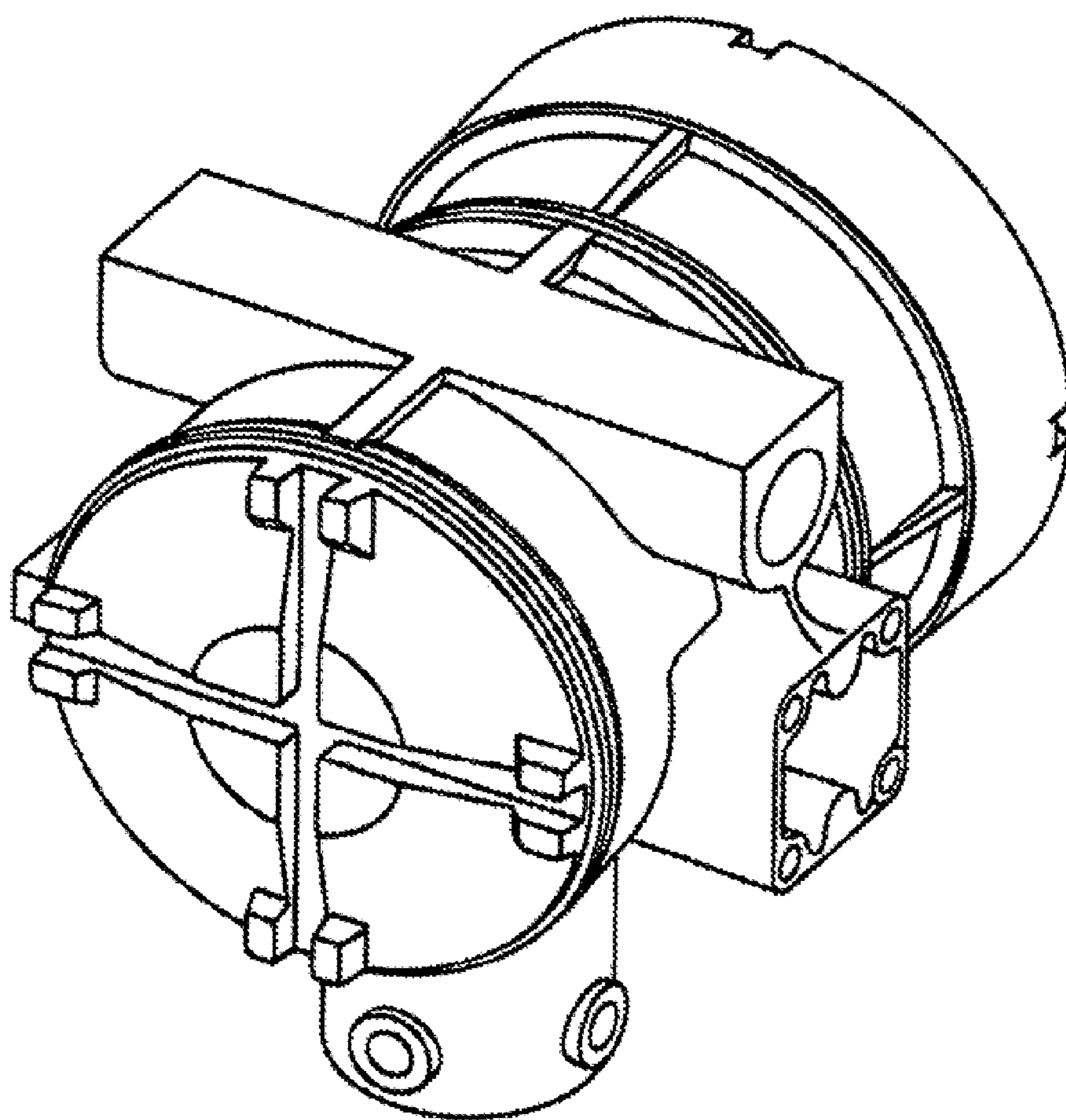


FIG. 8