



US00D628102S

(12) **United States Design Patent**
Yoder et al.

(10) **Patent No.:** **US D628,102 S**
(45) **Date of Patent:** **** Nov. 30, 2010**

(54) **MAIN TOOL AND T-SQUARE FOR SCRAPBOOKING WORK SURFACE**

(75) Inventors: **Regina Yoder**, Arthur, IL (US); **Timucin Kip**, Kansas City, MO (US); **Christopher J. Ostrander**, Lawrence, KS (US)

(73) Assignee: **Craft-N-Doodle, LLC**, Lexington, KY (US)

(**) Term: **14 Years**

(21) Appl. No.: **29/348,588**

(22) Filed: **Jan. 21, 2010**

(51) **LOC (9) Cl.** **10-04**

(52) **U.S. Cl.** **D10/65; D10/71**

(58) **Field of Classification Search** D10/65,
D10/71; 33/427, 433, 437, 464, 468-470,
33/474, 479, 483-494

See application file for complete search history.

(56) **References Cited**

U.S. PATENT DOCUMENTS

D586,246 S * 2/2009 Rosso et al. D10/65

* cited by examiner

Primary Examiner—Antoine D Davis

(74) *Attorney, Agent, or Firm*—IpHorgan Ltd.

(57) **CLAIM**

The ornamental design for a main tool and T-square for scrapbooking work surface, as shown and described.

DESCRIPTION

FIG. 1 is a perspective view of a main tool and T-square together with a scrapbooking work surface showing the new ornamental design, the portions shown in broken lines forming no part of the design sought to be patented;

FIG. 2 is a perspective view of the T-square, the portions shown in broken lines forming no part of the design sought to be patented;

FIG. 3 is a top view thereof, the portions shown in broken lines forming no part of the design sought to be patented;

FIG. 4 is a left view thereof, and the portions shown in broken lines forming no part of the design sought to be patented;

FIG. 5 is a right view thereof, and the portions shown in broken lines forming no part of the design sought to be patented;

FIG. 6 is a front view thereof, and the portions shown in broken lines forming no part of the design sought to be patented;

FIG. 7 is a bottom view thereof, and the portions shown in broken lines forming no part of the design sought to be patented;

FIG. 8 is a back view thereof, and the portions shown in broken lines forming no part of the design sought to be patented;

FIG. 9 is a perspective view of the main tool, the portions shown in broken lines forming no part of the design sought to be patented;

FIG. 10 is a top view thereof, the portions shown in broken lines forming no part of the design sought to be patented;

FIG. 11 is a back view thereof, the portions shown in broken lines forming no part of the design sought to be patented;

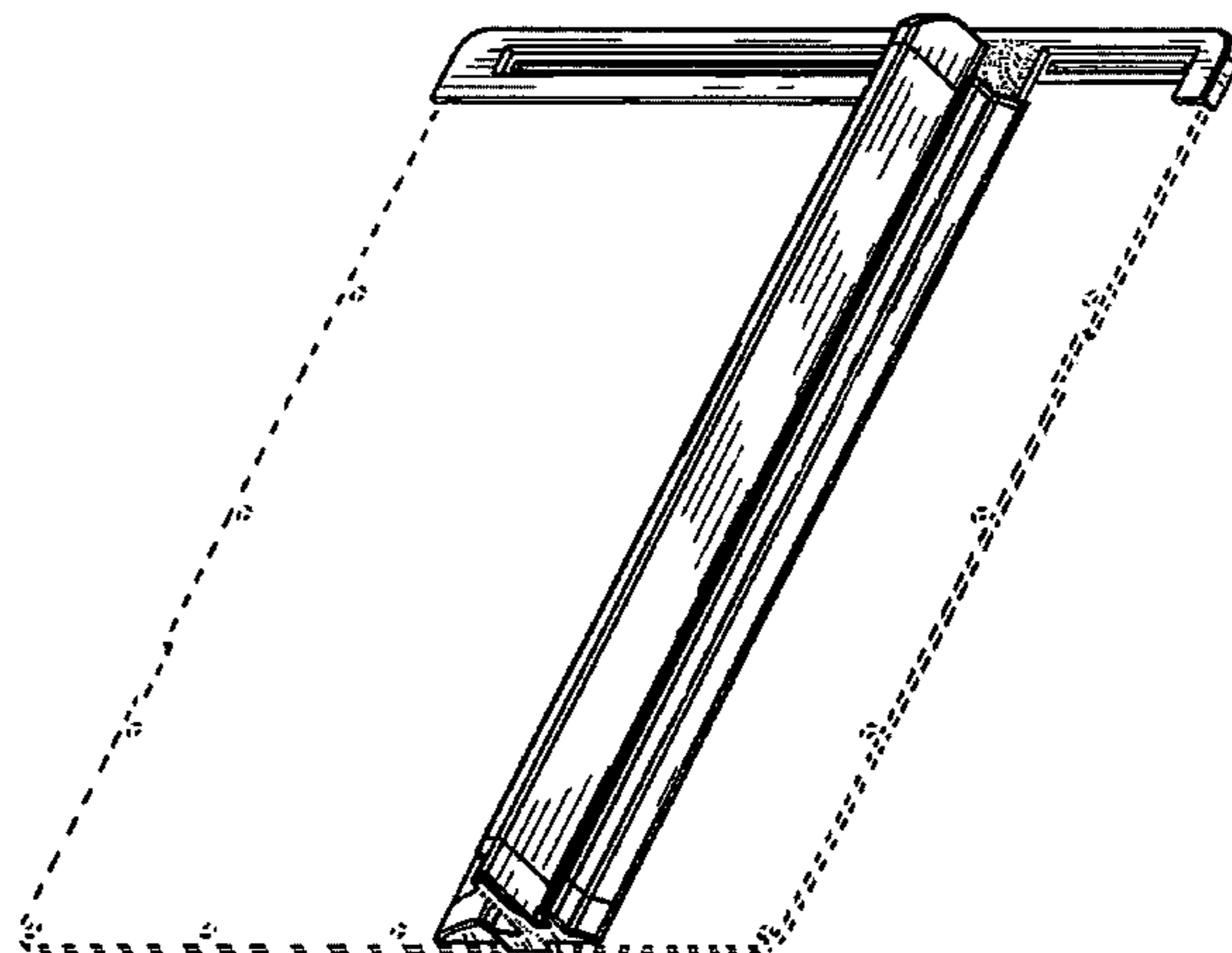
FIG. 12 is front view thereof, the portions shown in broken lines forming no part of the design sought to be patented;

FIG. 13 is a right view thereof, the portions shown in broken lines forming no part of the design sought to be patented;

FIG. 14 is a left view thereof, the portions shown in broken lines forming no part of the design sought to be patented; and,

FIG. 15 is a bottom view thereof, the portions shown in broken lines forming no part of the design sought to be patented.

1 Claim, 15 Drawing Sheets



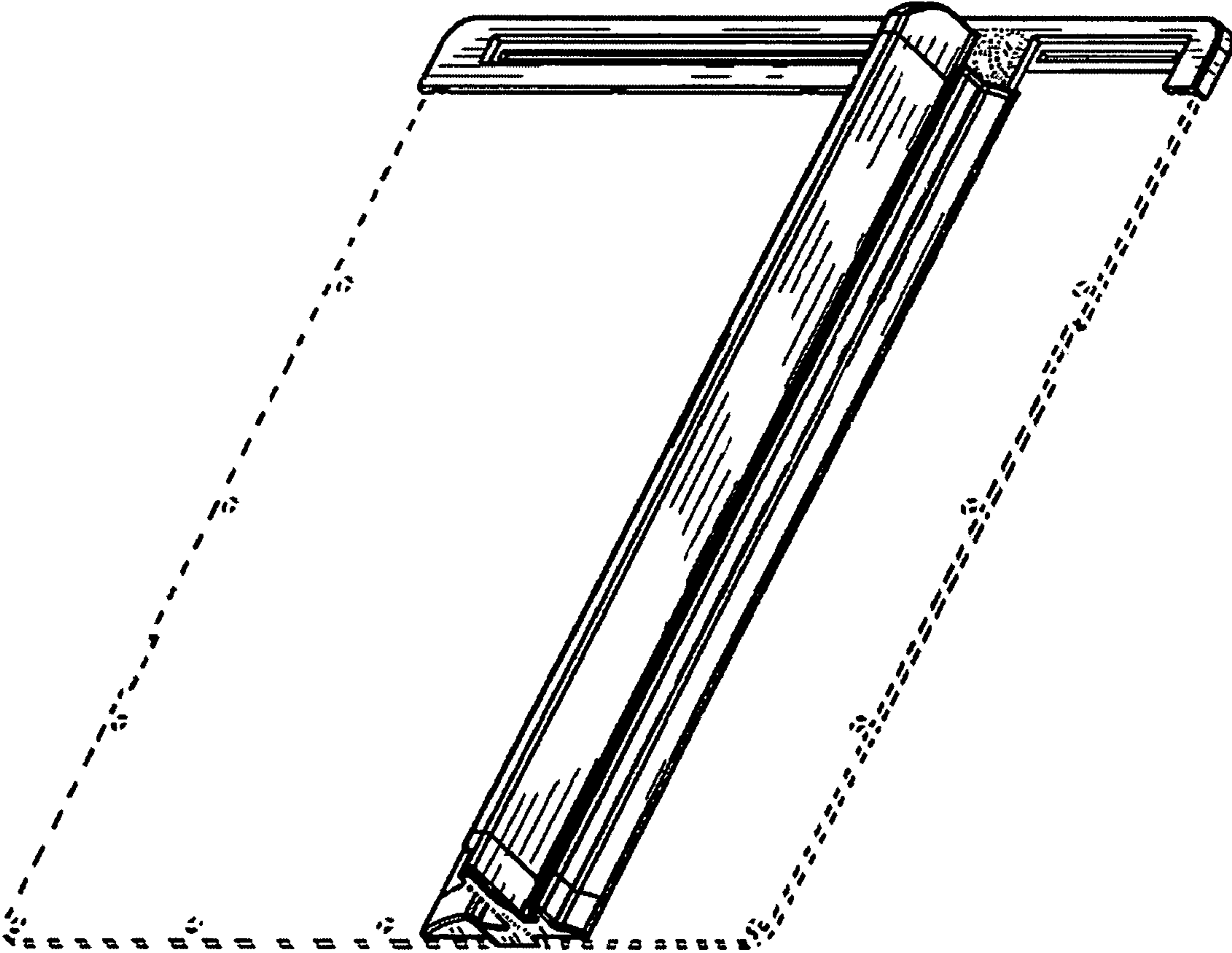


Fig. 1

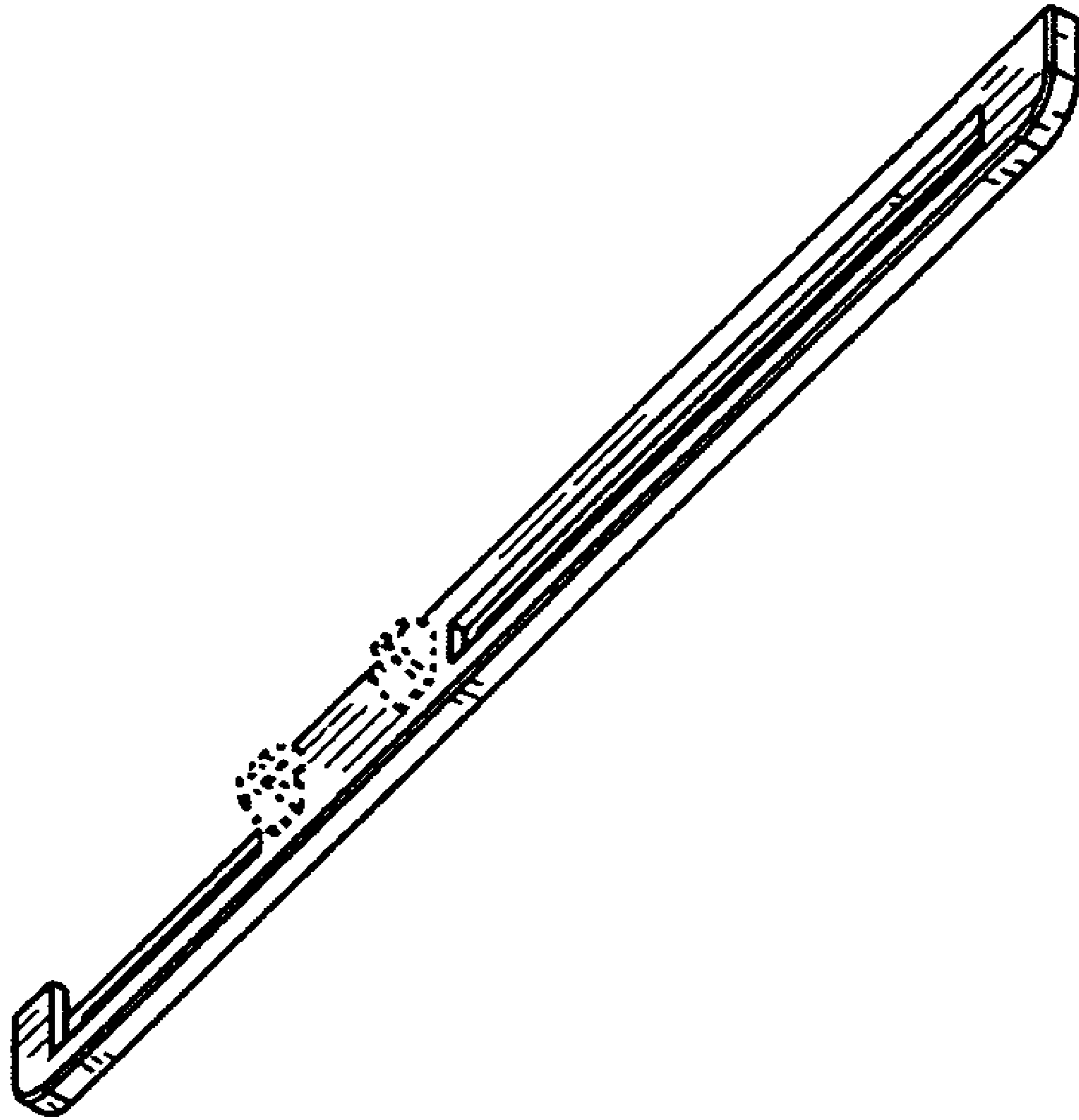


Fig. 2

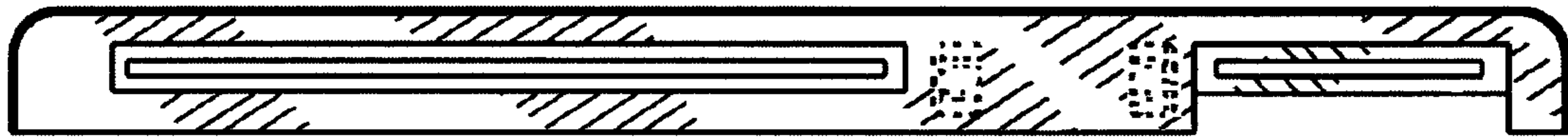


Fig. 3



Fig. 4



Fig. 5



Fig. 6



Fig. 7



Fig. 8

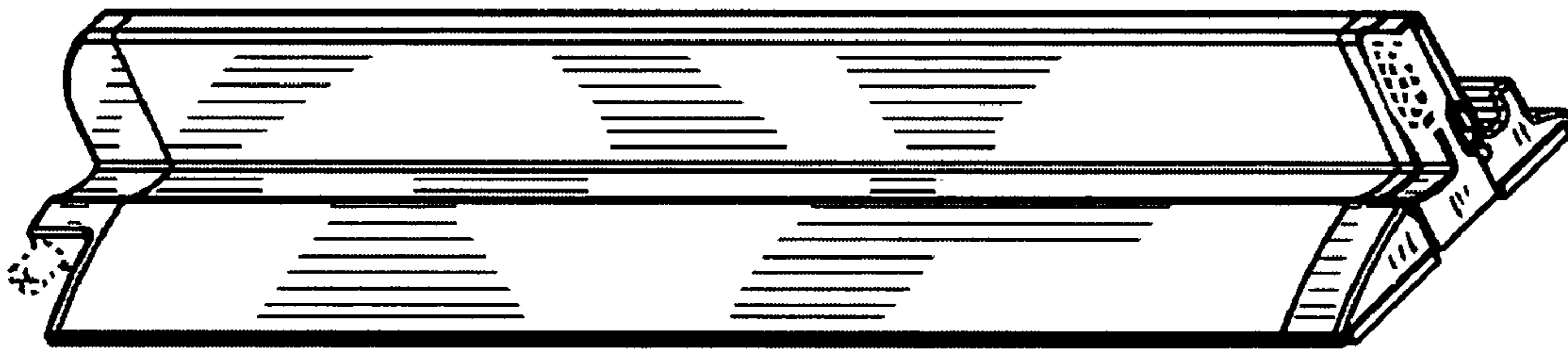


Fig. 9

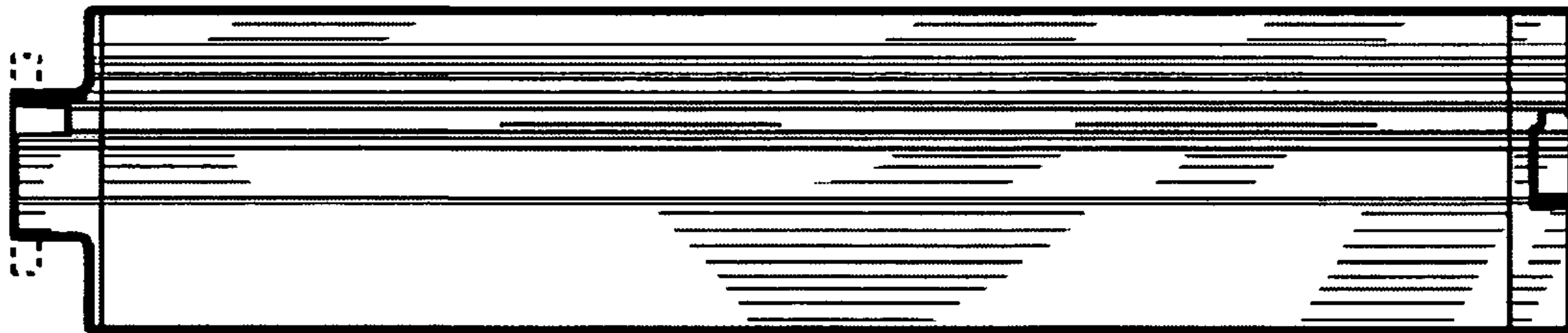


Fig. 10

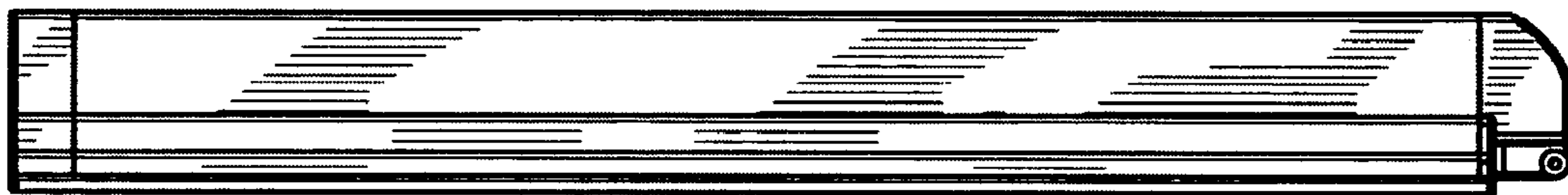


Fig. 11

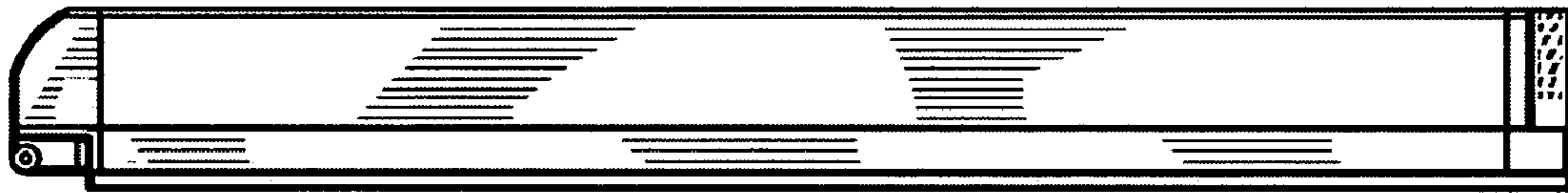


Fig. 12

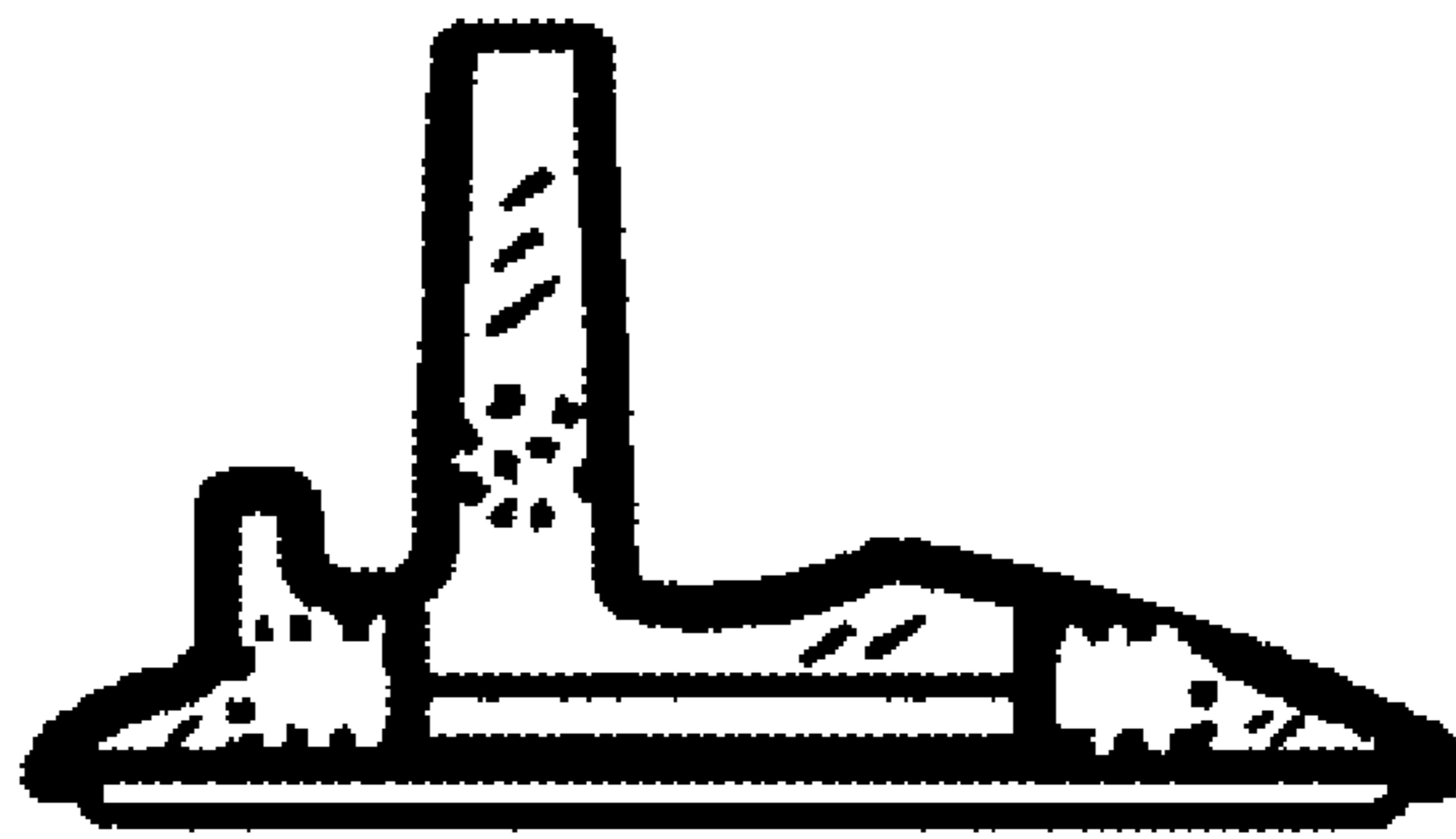


Fig. 13

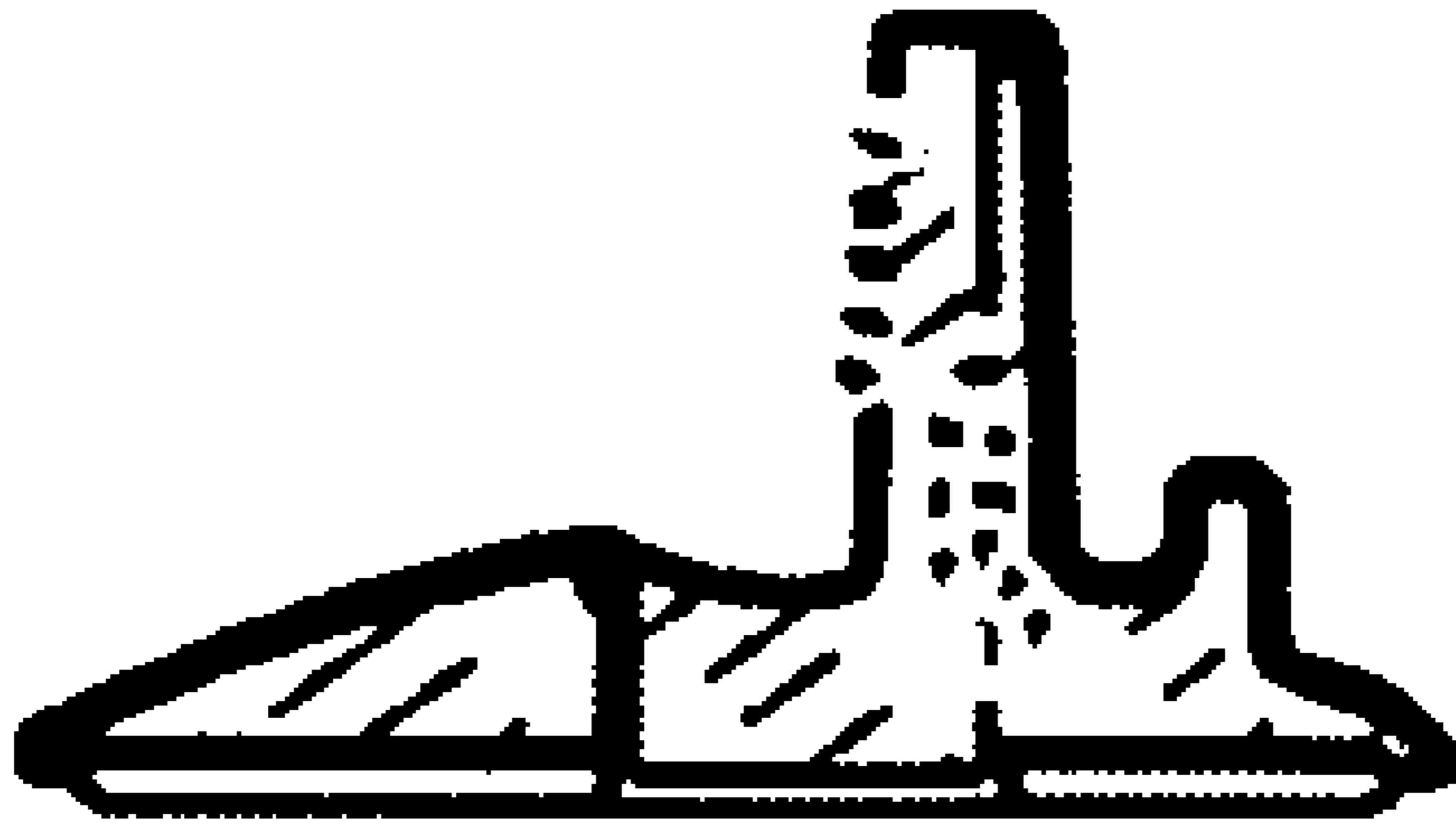


Fig. 14

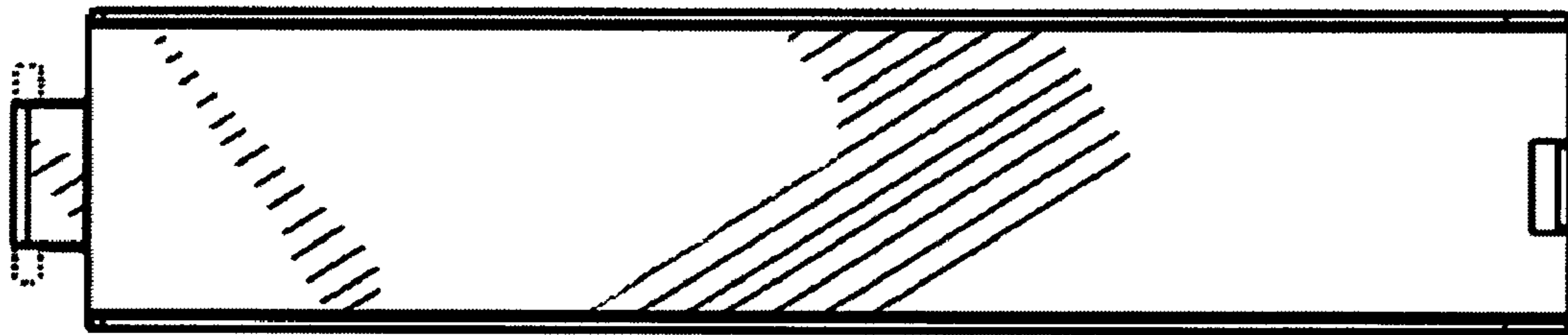


Fig. 15