



US00D628095S

(12) **United States Design Patent**  
**Monachon**

(10) **Patent No.:** **US D628,095 S**

(45) **Date of Patent:** **\*\* Nov. 30, 2010**

(54) **WATCH**

(75) **Inventor:** **Jean-Claude Monachon, Bevaix (CH)**

(73) **Assignee:** **Omega SA (Omega AG) (Omega Ltd.),  
Biel/Bienne (CH)**

(\*\*) **Term:** **14 Years**

(21) **Appl. No.:** **29/367,650**

(22) **Filed:** **Aug. 11, 2010**

(30) **Foreign Application Priority Data**

Feb. 12, 2010 (WO) ..... DM/073 317

(51) **LOC (9) Cl.** ..... **10-02**

(52) **U.S. Cl.** ..... **D10/39**

(58) **Field of Classification Search** ..... D10/30-39;  
368/276, 281, 282, 285, 308, 319

See application file for complete search history.

(56) **References Cited**

**U.S. PATENT DOCUMENTS**

D42,449 S *	4/1912	Wittnauer	.....	D10/38
1,219,449 A *	3/1917	Fitch	.....	224/170
D152,417 S *	1/1949	Glass	.....	D10/32
D215,112 S *	9/1969	Meylan	.....	D10/38
D244,916 S *	7/1977	Ueno	.....	D10/38
D250,634 S *	12/1978	Porsche	.....	D10/32
D323,298 S *	1/1992	Kawashima	.....	D10/39
D327,441 S *	6/1992	Yamamoto et al.	.....	D10/38
D329,387 S *	9/1992	Takahashi	.....	D10/30
D339,301 S *	9/1993	Morishima	.....	D10/38
D348,013 S *	6/1994	Nomura	.....	D10/38
D355,613 S *	2/1995	Takani et al.	.....	D10/39
D377,315 S *	1/1997	Moriai et al.	.....	D10/38
D378,740 S *	4/1997	Yamamoto et al.	.....	D10/38
D387,677 S *	12/1997	Hanagata	.....	D10/30

D387,686 S *	12/1997	Hanagata	.....	D10/38
D395,241 S *	6/1998	Galli	.....	D10/30
D402,565 S *	12/1998	Sato et al.	.....	D10/32
D403,246 S *	12/1998	Hanagata	.....	D10/30
D403,252 S *	12/1998	Hanagata	.....	D10/38
D413,527 S *	9/1999	Hanagata	.....	D10/30
D427,080 S *	6/2000	Hanagata	.....	D10/30
D435,221 S *	12/2000	Nikaido et al.	.....	D10/30
D441,302 S *	5/2001	Tomimatsu	.....	D10/30
D451,820 S *	12/2001	Sugisawa	.....	D10/30
D451,955 S *	12/2001	Hanagata	.....	D19/30
D452,169 S *	12/2001	Syoubayashi	.....	D10/30
D453,299 S *	2/2002	Bach et al.	.....	D10/39
D455,081 S *	4/2002	Bach et al.	.....	D10/32
D491,817 S *	6/2004	Bonnet	.....	D10/30
D517,927 S *	3/2006	Enomoto et al.	.....	D10/32
D549,597 S *	8/2007	Kraus et al.	.....	D10/31

\* cited by examiner

*Primary Examiner*—Lucy Lieberman

(74) *Attorney, Agent, or Firm*—Collen IP; Donald J. Ranft

(57) **CLAIM**

The ornamental design for a watch, as shown and described.

**DESCRIPTION**

FIG. 1 is a front perspective view of my new, original and ornamental design for a watch;

FIG. 2 is a rear perspective view thereof;

FIG. 3 is a front view thereof;

FIG. 4 is a rear view thereof;

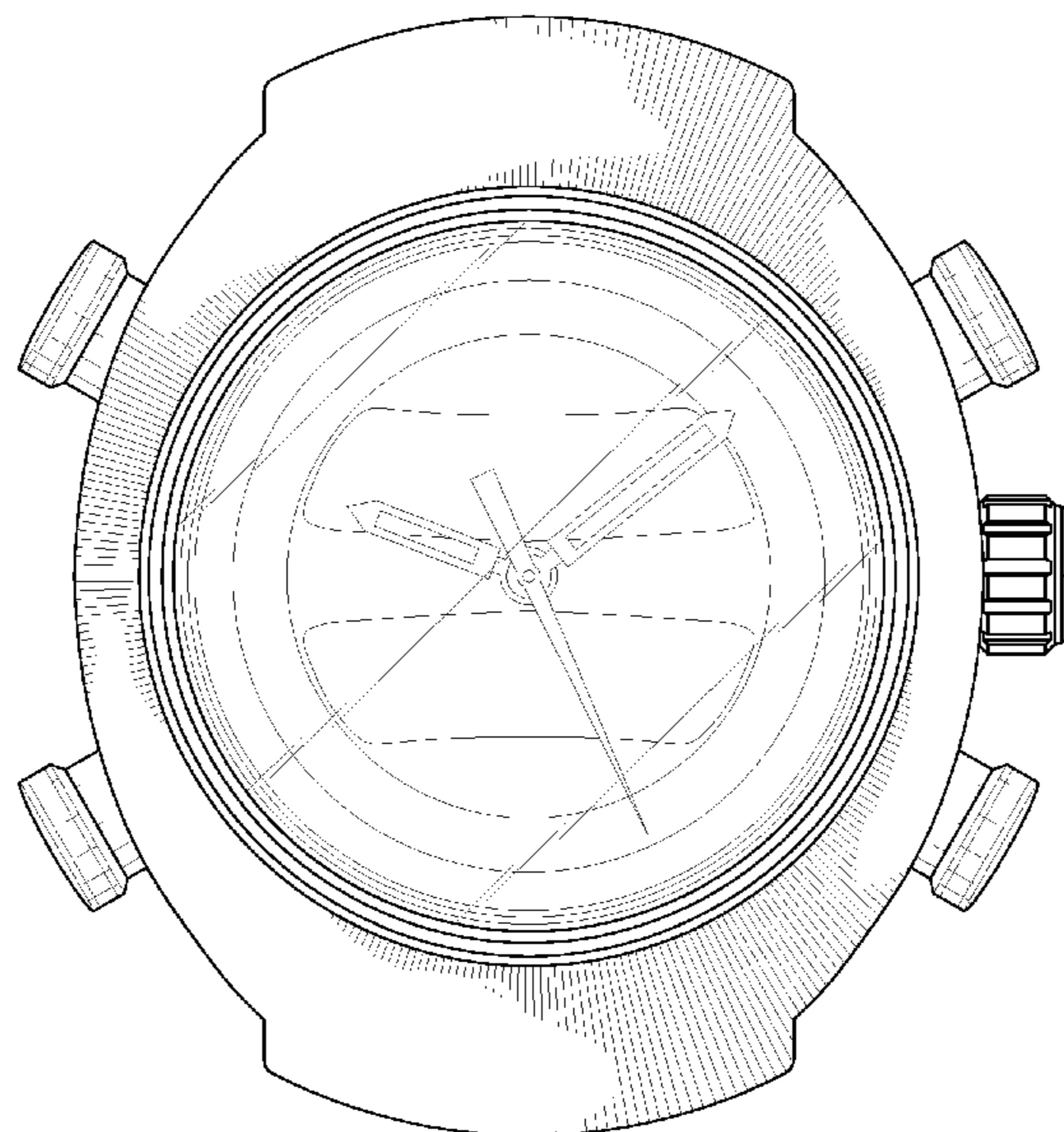
FIG. 5 is a bottom view thereof;

FIG. 6 is a top view thereof;

FIG. 7 is a left view thereof; and,

FIG. 8 is a right view thereof.

**1 Claim, 5 Drawing Sheets**



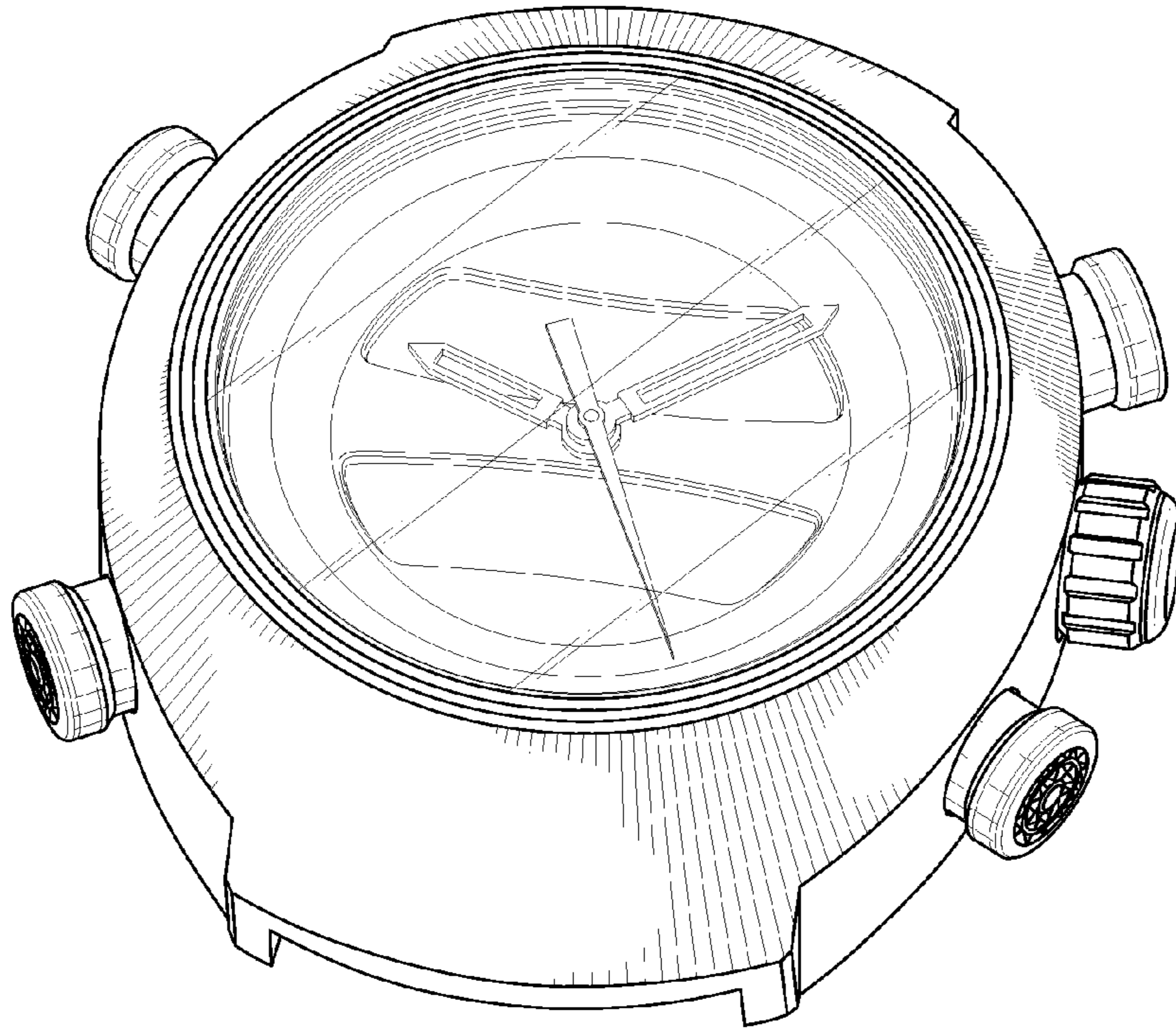


FIG. 1

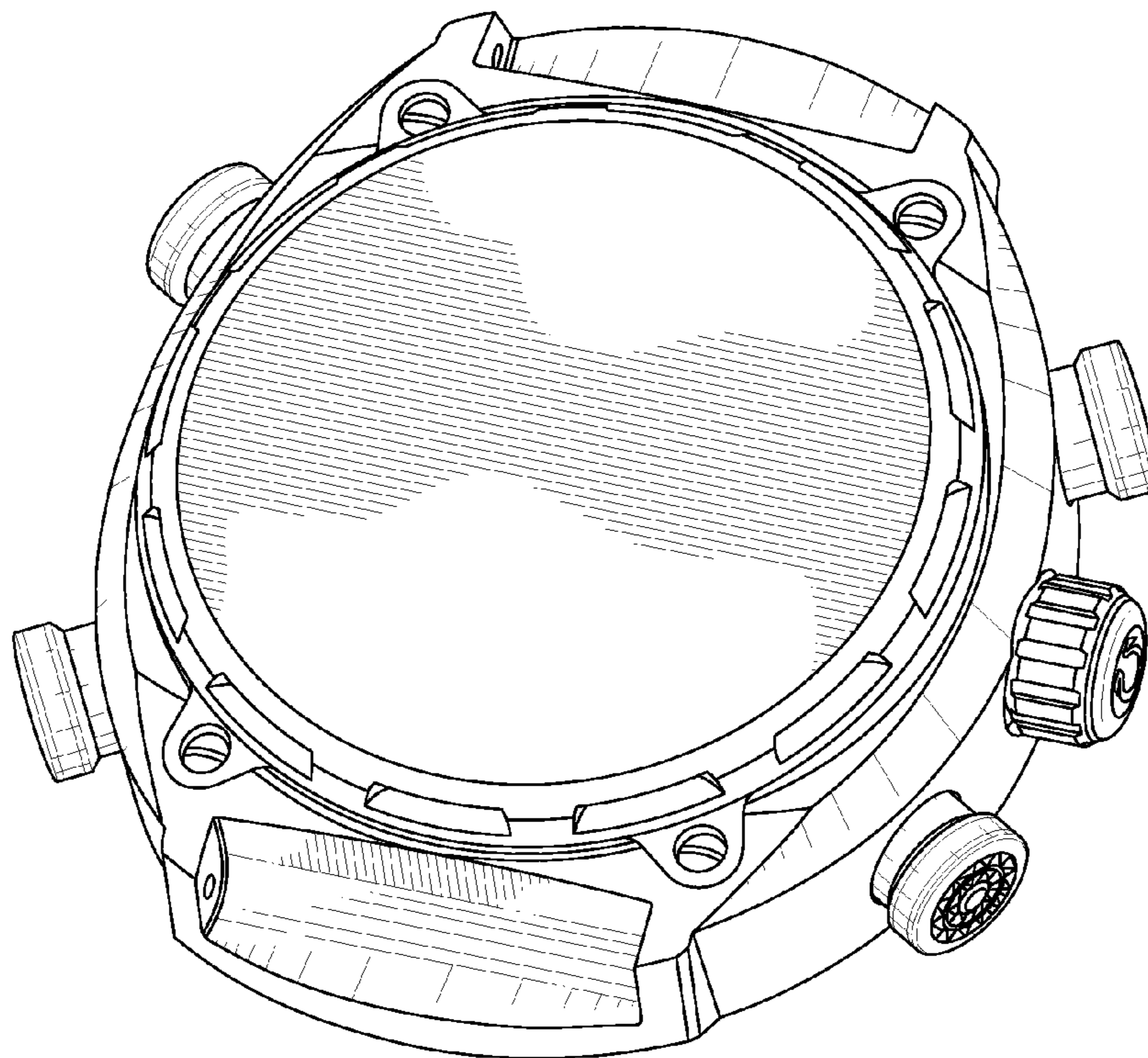


FIG. 2

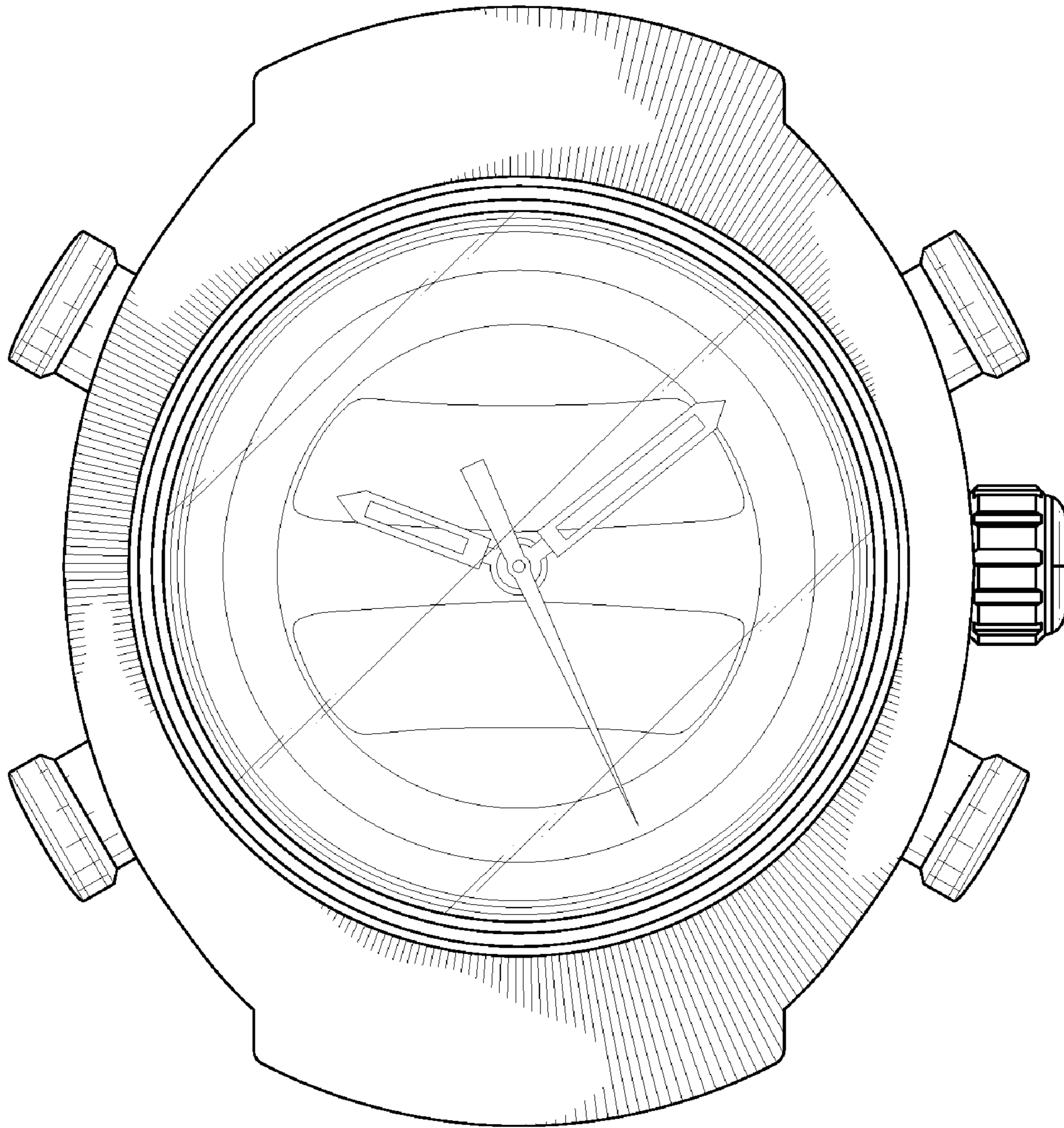


FIG. 3

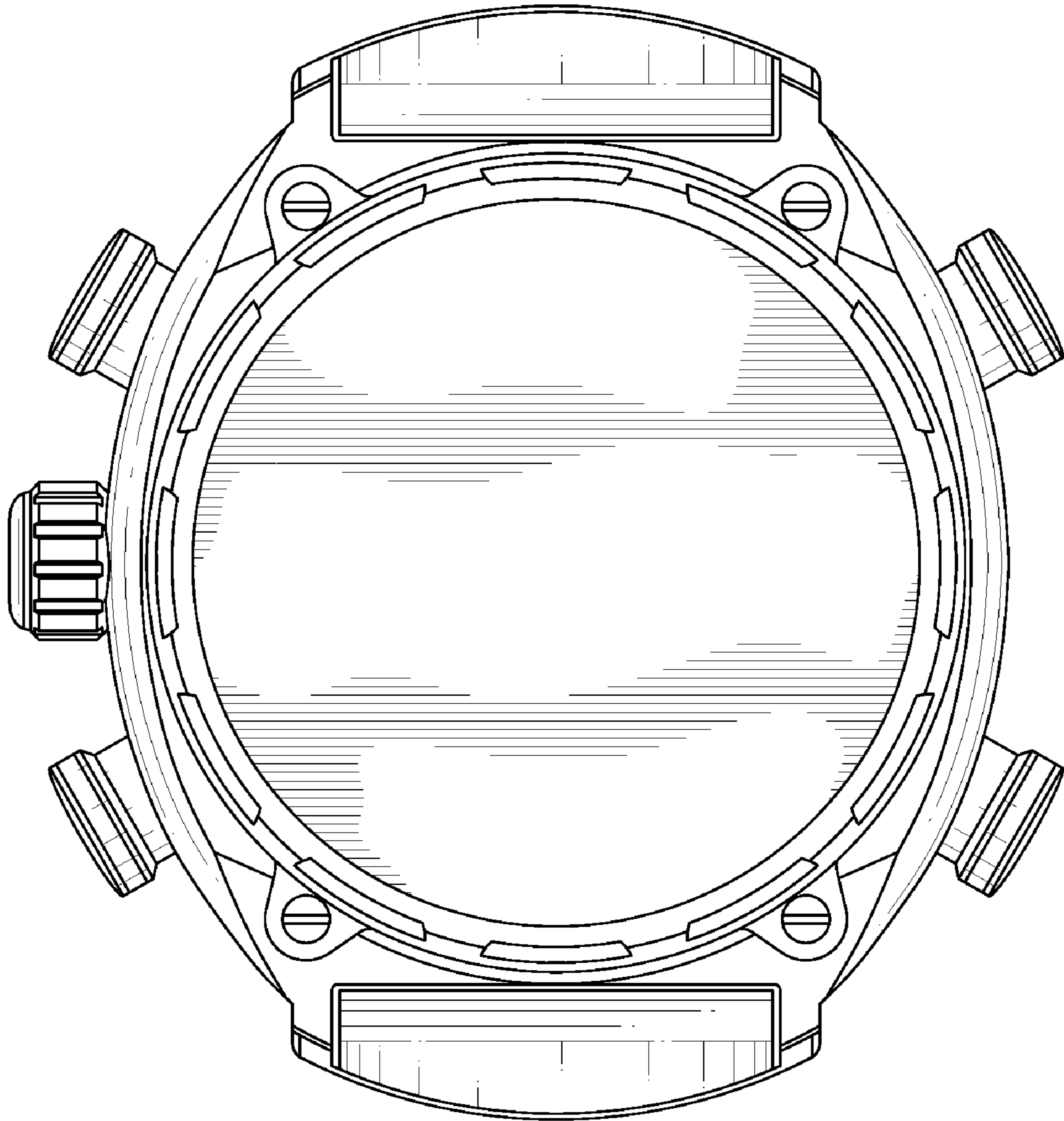


FIG. 4

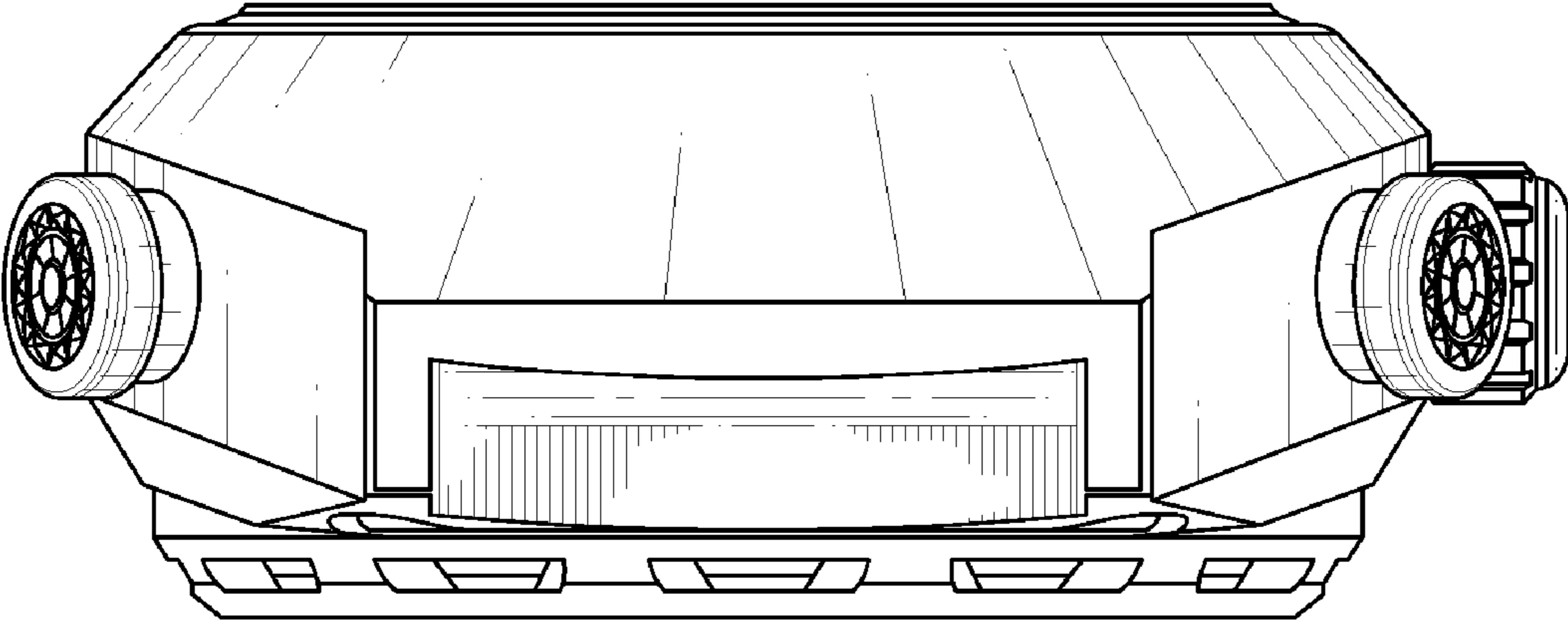


FIG. 5

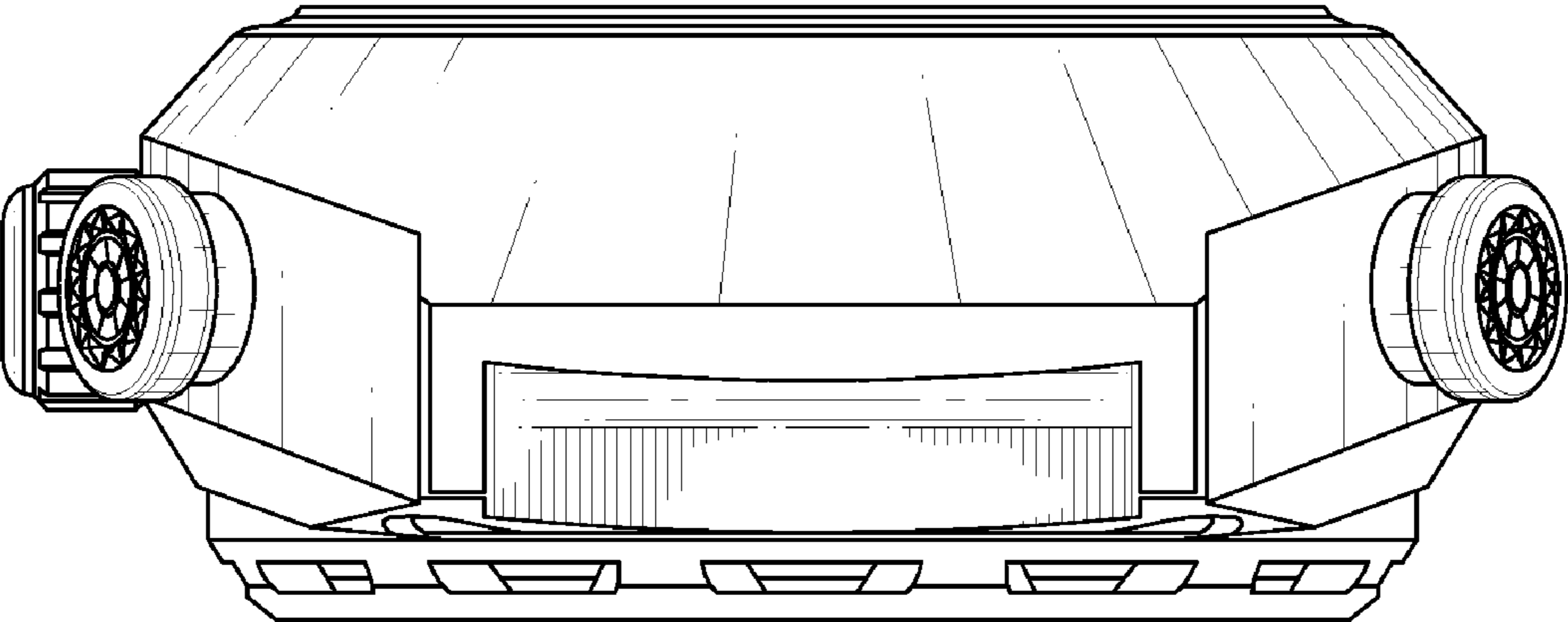


FIG. 6

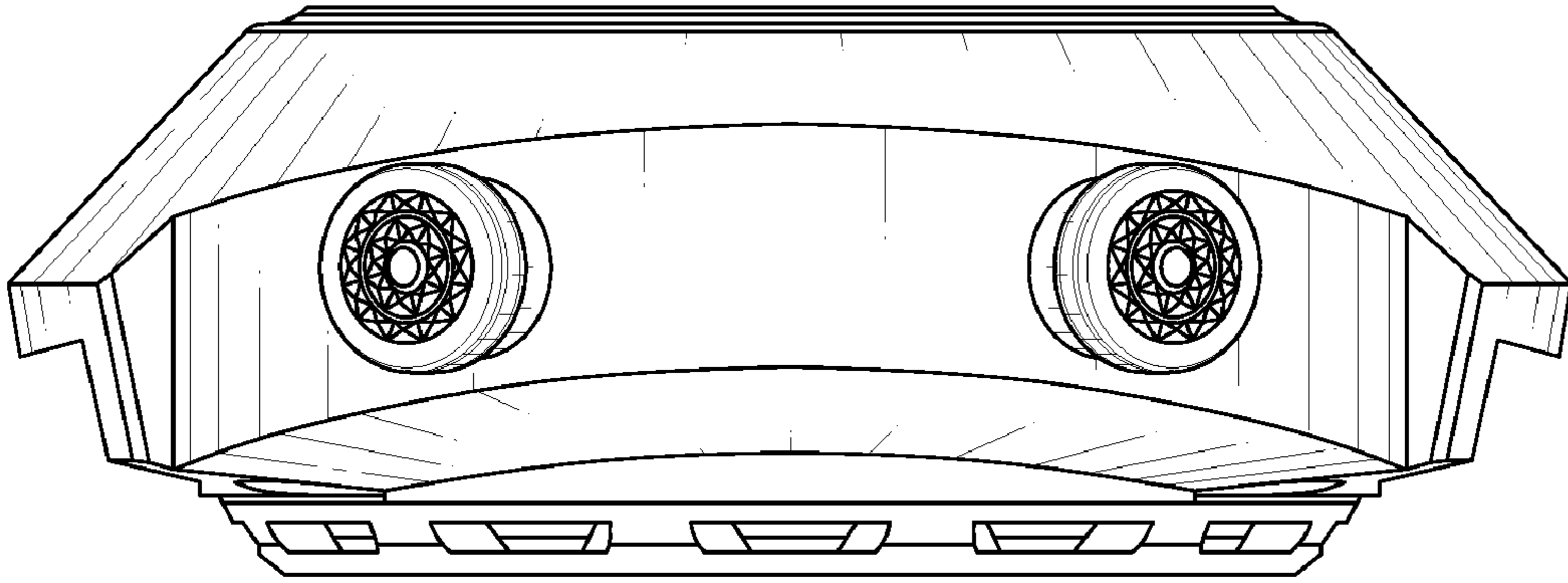


FIG. 7

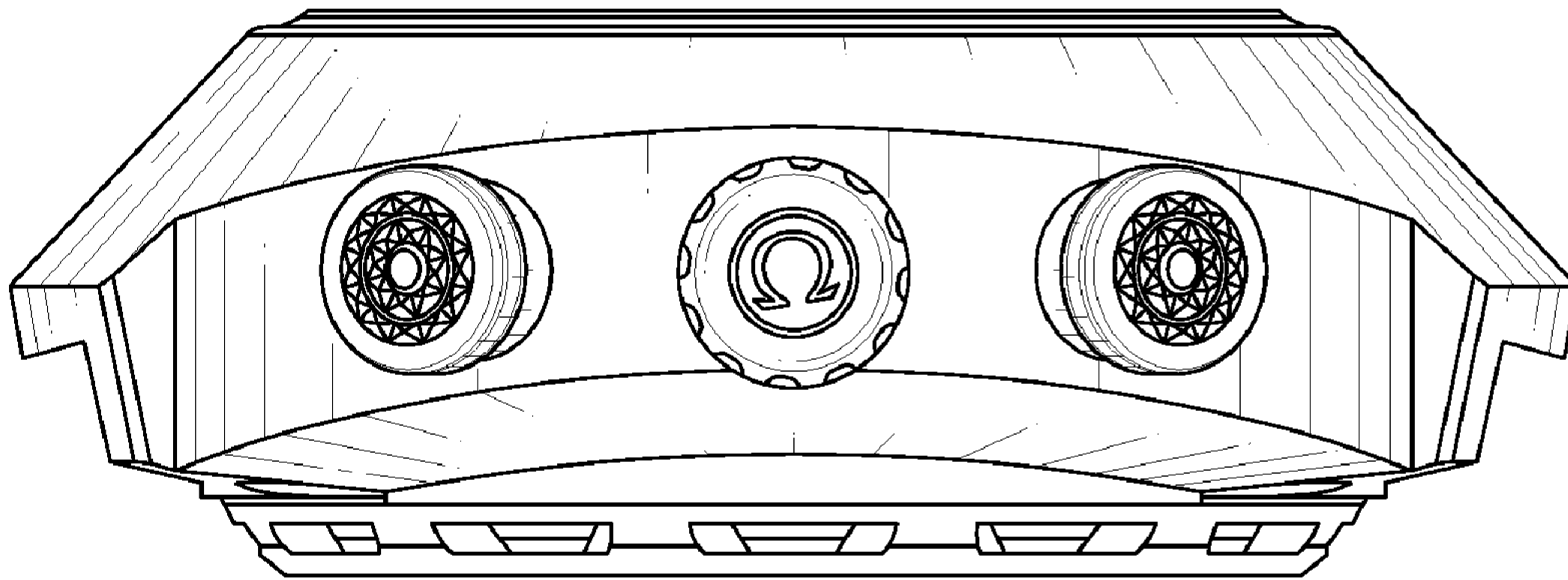


FIG. 8