



US00D628094S

(12) **United States Design Patent**
Rabassa

(10) **Patent No.:** **US D628,094 S**

(45) **Date of Patent:** **** Nov. 30, 2010**

(54) **WATCH CASE**

(75) **Inventor:** **Serge Rabassa, Vessy (CH)**

(73) **Assignee:** **Cartier Creation Studio SA (CH)**

(**) **Term:** **14 Years**

(21) **Appl. No.:** **29/365,573**

(22) **Filed:** **Jul. 12, 2010**

(51) **LOC (9) Cl.** **10-02**

(52) **U.S. Cl.** **D10/38**

(58) **Field of Classification Search** D10/30-39;
368/276, 281, 282, 285

See application file for complete search history.

(56) **References Cited**

U.S. PATENT DOCUMENTS

1,633,661	A	*	6/1927	Dinstman	29/896.33
1,675,675	A	*	7/1928	Wadsworth	368/281
1,786,762	A	*	12/1930	Lyons	368/281
1,981,047	A	*	11/1934	Irelan	368/295
1,996,276	A	*	4/1935	Cowen	224/178
2,004,685	A	*	6/1935	Best	24/265 WS
D151,301	S	*	10/1948	Tuffo	D10/31
D382,211	S	*	8/1997	Bodino	D10/30
D420,293	S	*	2/2000	Parmigiani	D10/30
D422,514	S	*	4/2000	Diltoer et al.	D10/39
D453,689	S	*	2/2002	Lepeu et al.	D10/32

D493,375	S	*	7/2004	Arabov	D10/39
D494,478	S	*	8/2004	Arabov	D10/39
D506,684	S	*	6/2005	Junod	D10/30
D510,707	S	*	10/2005	Cheng	D10/30
D588,942	S	*	3/2009	Fasciano	D10/38
7,703,974	B2	*	4/2010	Bouille	368/281

* cited by examiner

Primary Examiner—Lucy Lieberman

(74) *Attorney, Agent, or Firm*—Galbreath Law Offices, P.C.;
John A. Galbreath

(57) **CLAIM**

The ornamental design for a watch case, as shown and described.

DESCRIPTION

FIG. 1 is a top view of the invention;

FIG. 2 is a bottom view of the invention;

FIG. 3 is a side view of the invention;

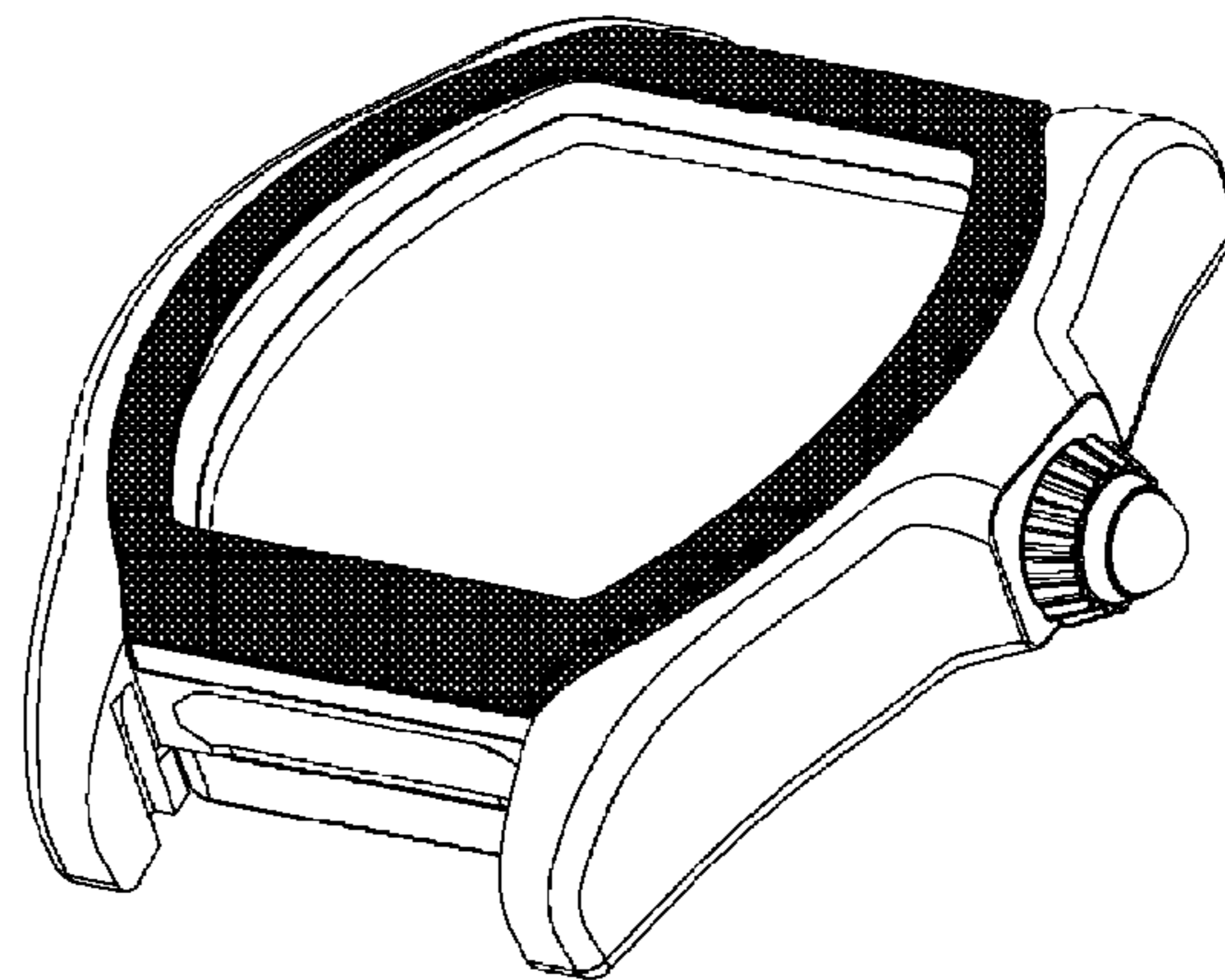
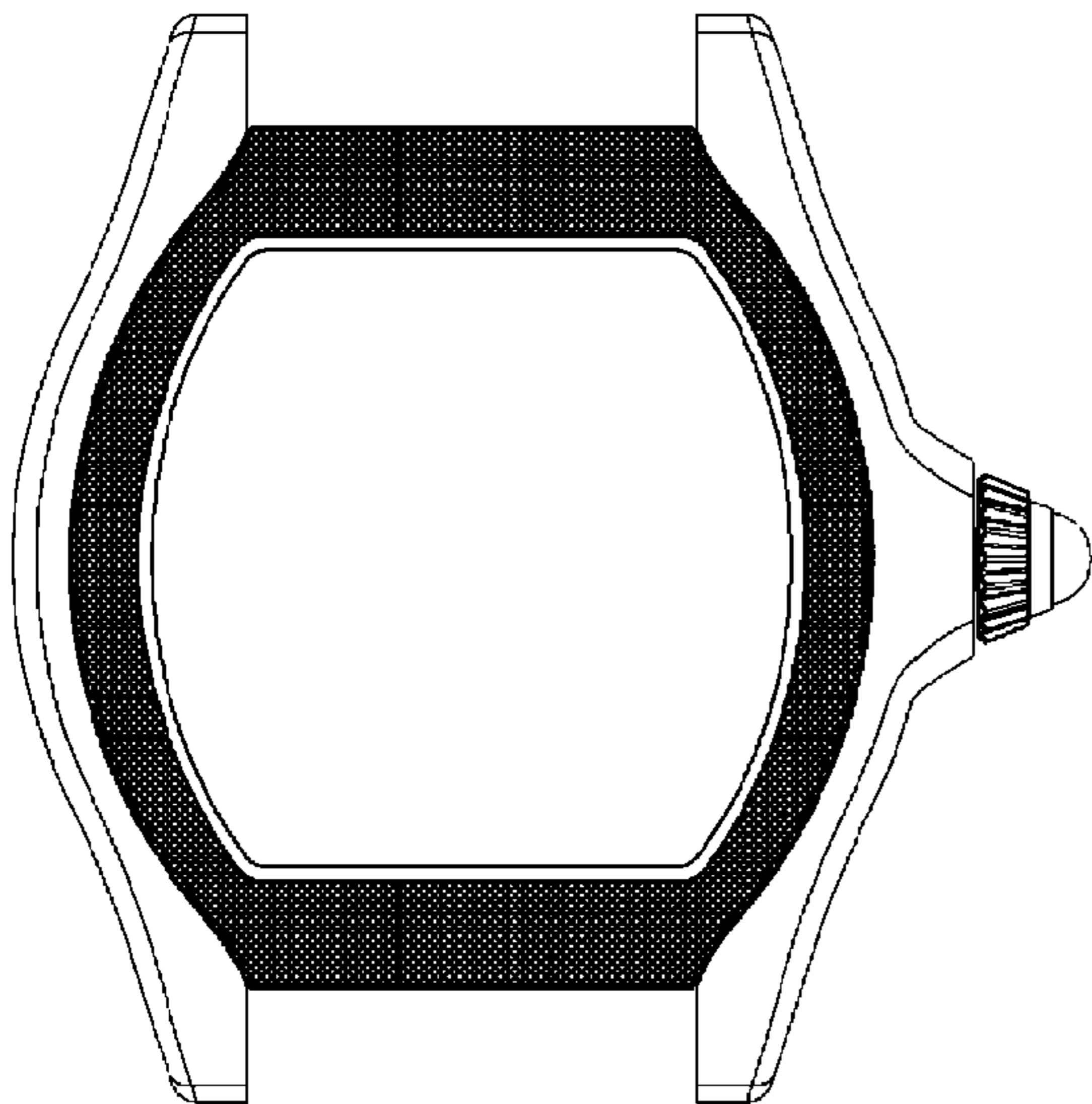
FIG. 4 is another side view of the invention, showing the side opposite that shown in FIG. 3;

FIG. 5 is a back view of the invention;

FIG. 6 is a front view of the invention; and,

FIG. 7 is a perspective view of the invention.

1 Claim, 1 Drawing Sheet



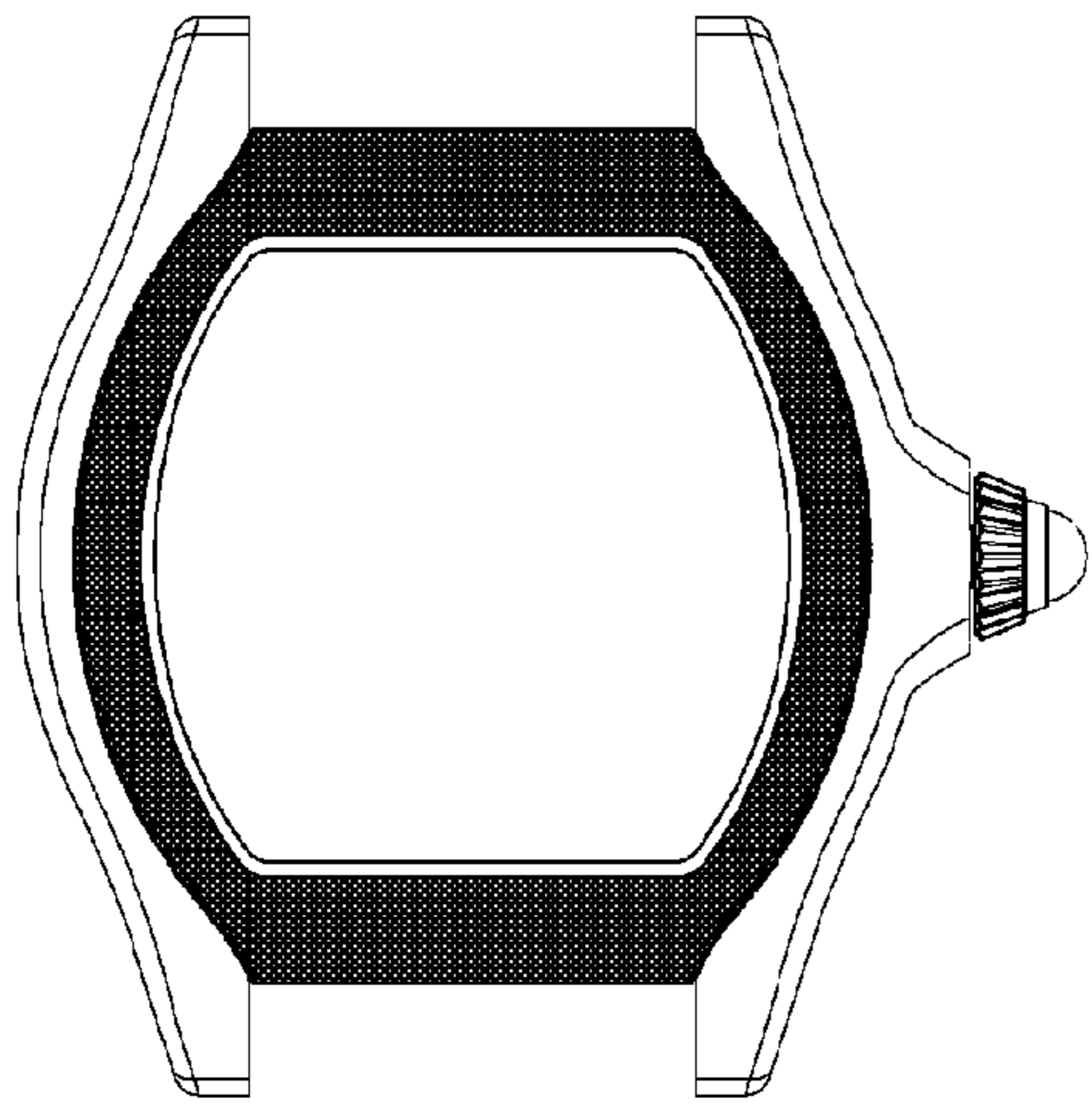


Fig.1

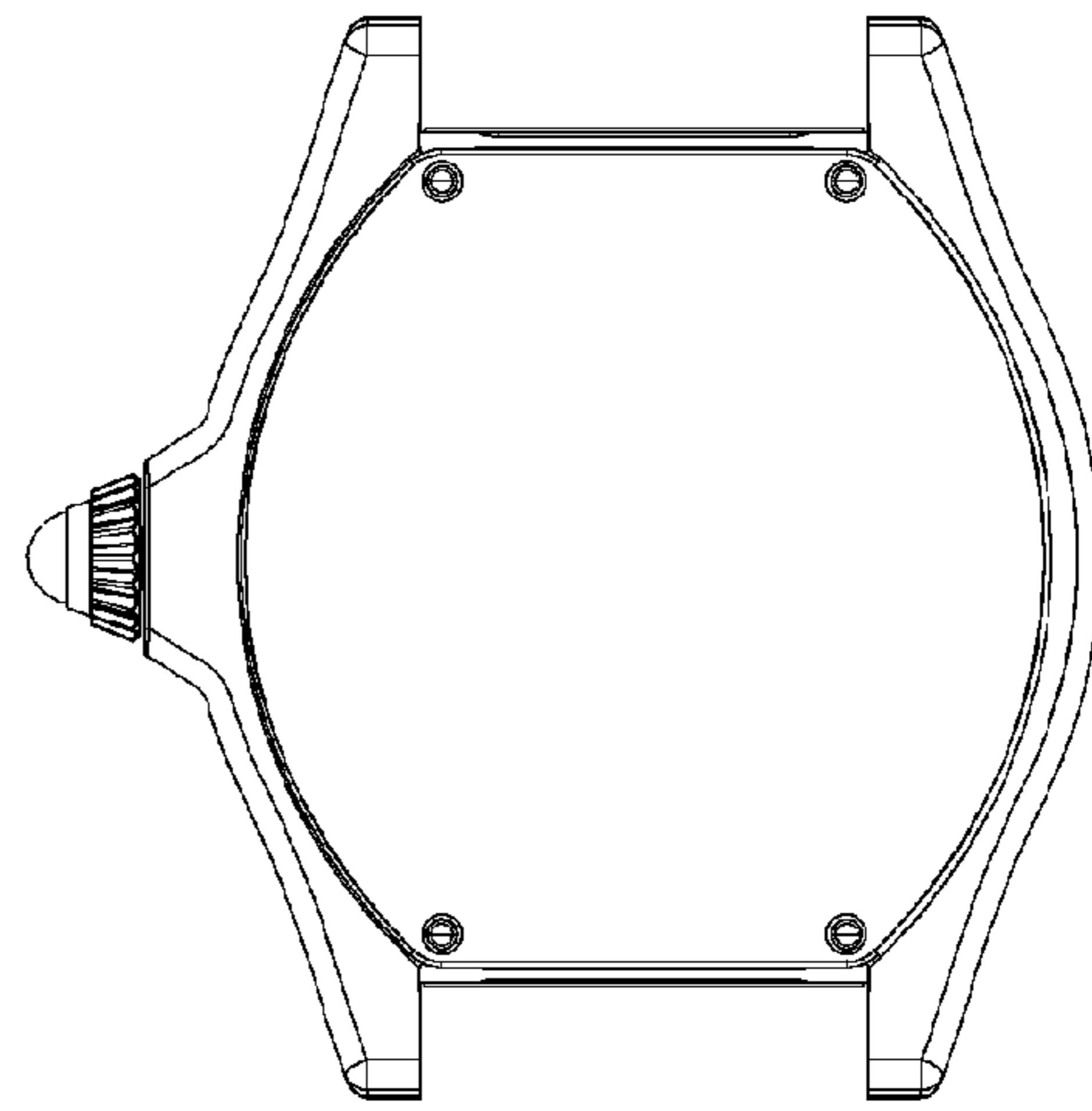


Fig.2

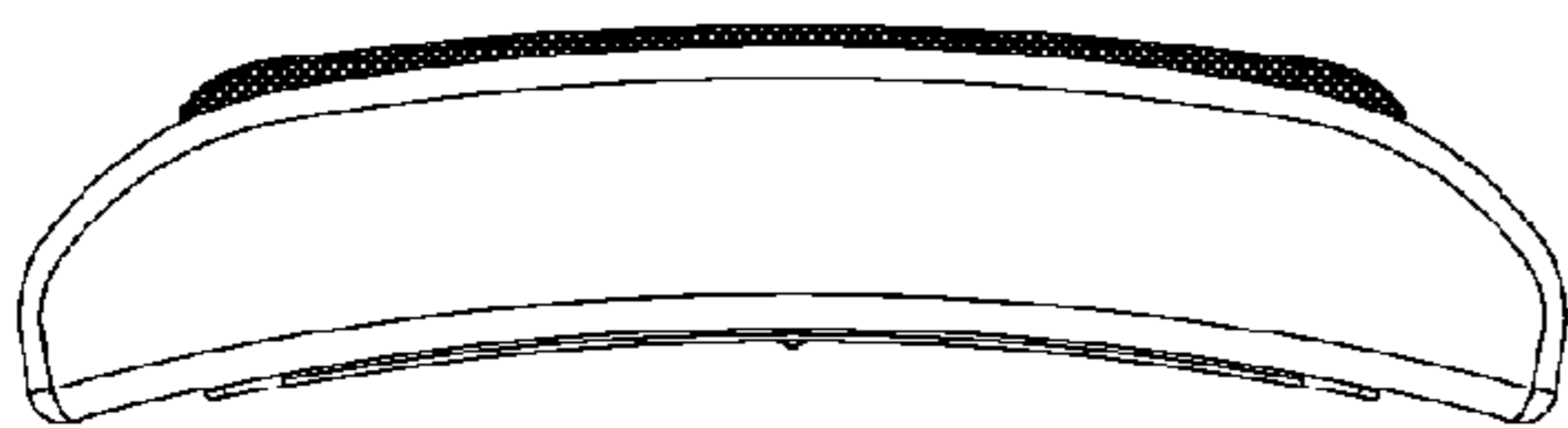


Fig.3

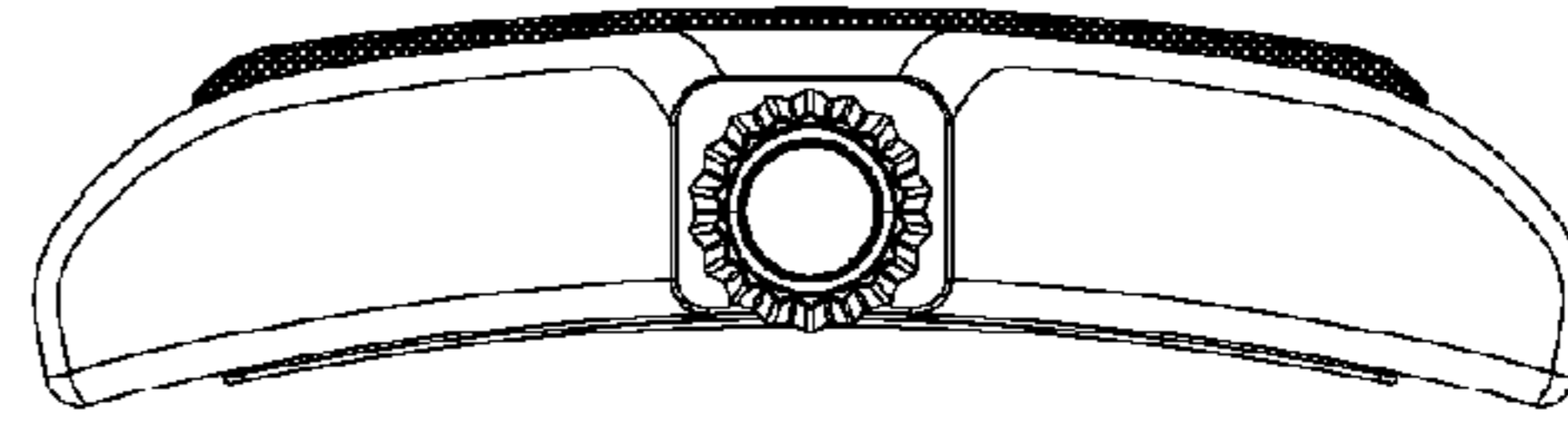


Fig.4

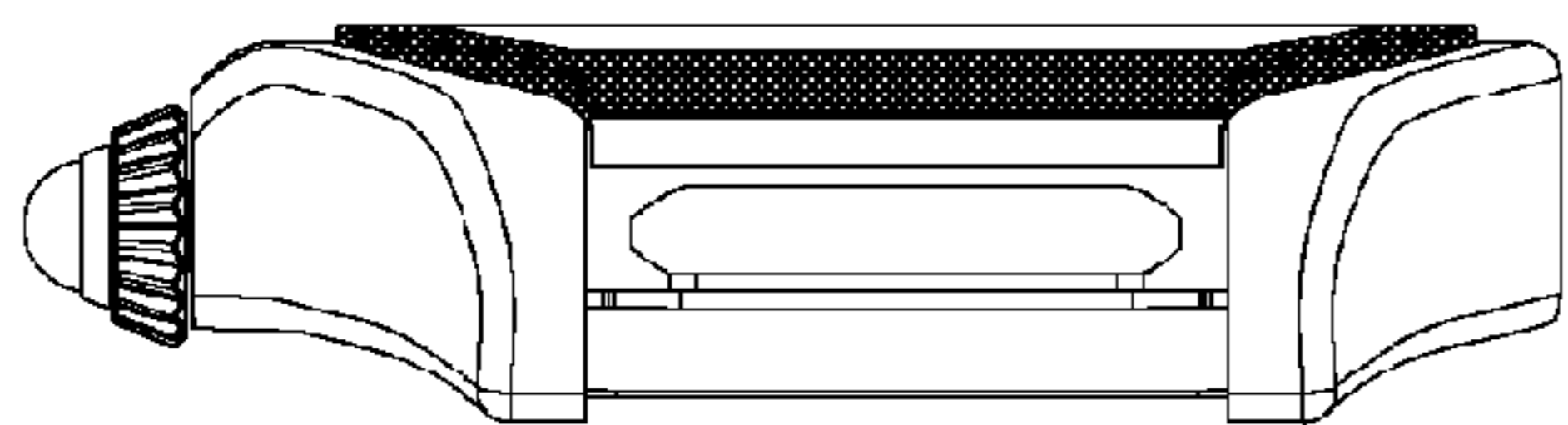


Fig.5

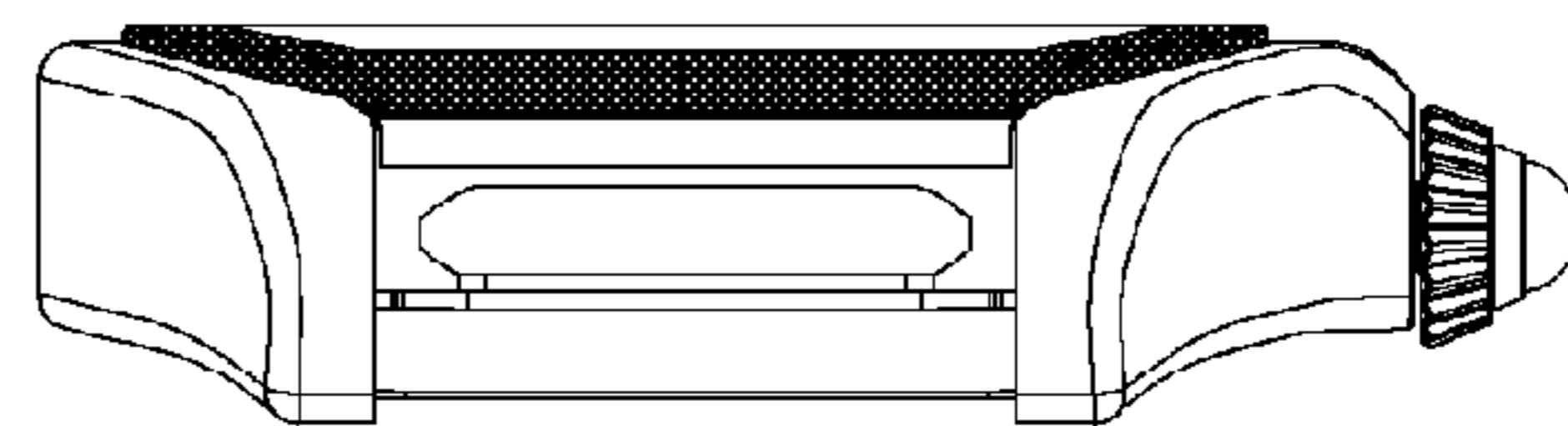


Fig.6

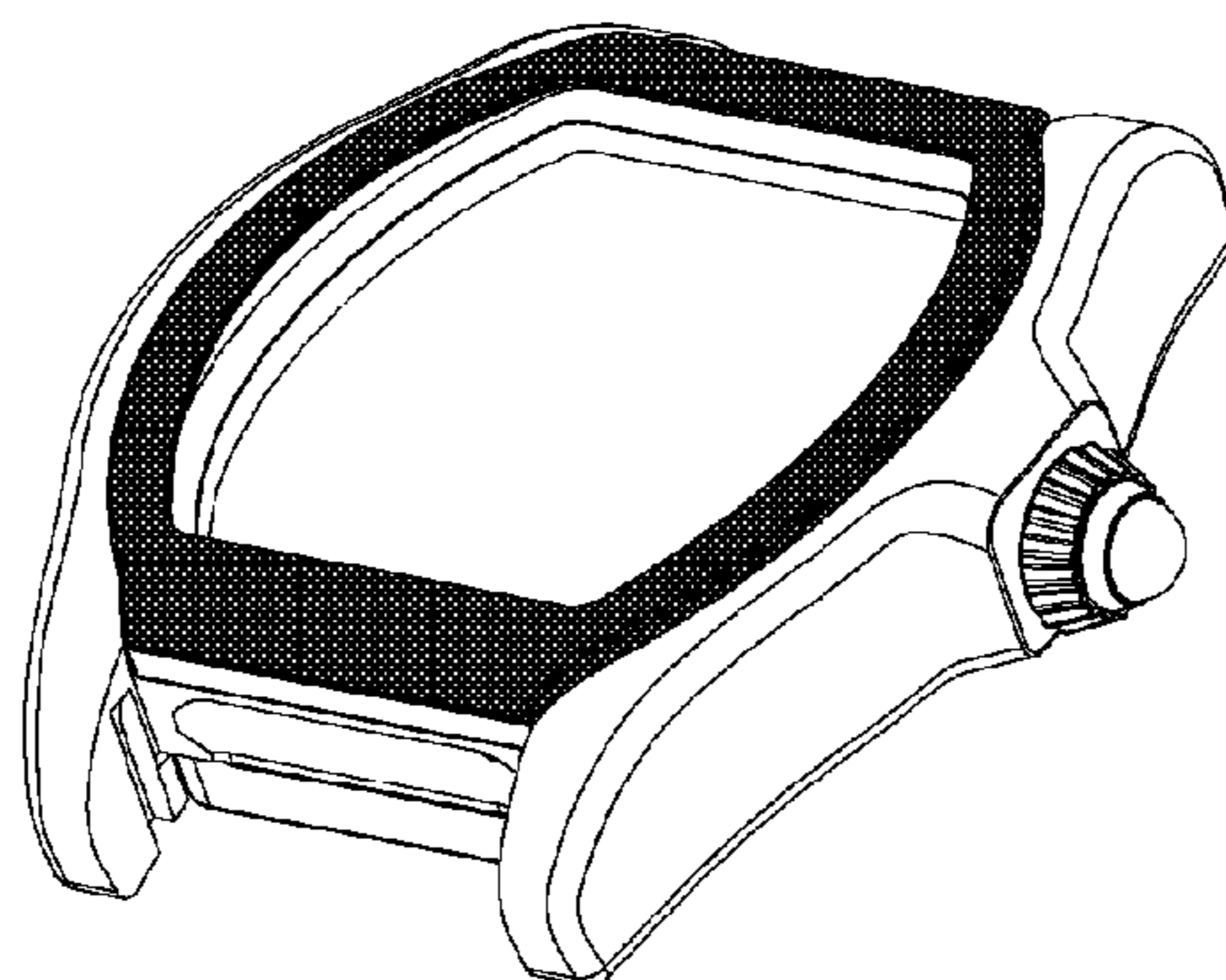


Fig.7