



US00D628089S

(12) **United States Design Patent**
Ashiwa et al.

(10) **Patent No.:** **US D628,089 S**

(45) **Date of Patent:** **** Nov. 30, 2010**

(54) **COSMETIC CONTAINER**

(75) Inventors: **Akiko Ashiwa**, Singapore (SG); **Ian Andrew Carnduff**, New York, NY (US); **Akina Kurihara**, Brooklyn, NY (US)

(73) Assignee: **The Procter and Gamble Company**, Cincinnati, OH (US)

(**) Term: **14 Years**

(21) Appl. No.: **29/316,554**

(22) Filed: **Oct. 7, 2009**

(51) **LOC (9) Cl.** **09-01**

(52) **U.S. Cl.** **D9/723**

(58) **Field of Classification Search** D9/500–505,
D9/516, 545, 558, 560, 682, 686, 688, 692,
D9/723, 724, 900; 206/438; 141/24; 215/249,
215/379, 381, 382; 220/660, 662, 669–673,
220/675; D24/115, 133, 216, 222, 224
See application file for complete search history.

(56) **References Cited**

U.S. PATENT DOCUMENTS

D87,975 S	10/1932	Nester	
D138,686 S	8/1944	Smith	
2,872,950 A	2/1959	Castelli	
4,189,245 A *	2/1980	Bennett	401/126
D264,183 S	5/1982	Schultz	
D288,293 S *	2/1987	Arvans	D9/500
4,863,049 A	9/1989	Suzuki et al.	
D355,844 S *	2/1995	Bishop et al.	D9/724
5,611,445 A	3/1997	Kano et al.	
D414,418 S *	9/1999	Nosella	D9/502

D449,228 S *	10/2001	Nosella	D9/500
D537,360 S	2/2007	Snell	
D563,221 S	3/2008	Ashiwa	
D619,894 S *	7/2010	Ashiwa et al.	D9/504

* cited by examiner

Primary Examiner—Stella M Reid

Assistant Examiner—Thomas J Johannes

(74) *Attorney, Agent, or Firm*—Eric Addington; S. Robert Chuey; James C. Vago

(57) **CLAIM**

The ornamental design for a cosmetic container, as shown and described.

DESCRIPTION

FIG. 1 is a perspective view of a cosmetic container, showing our new design;

FIG. 2 is a front view thereof;

FIG. 3 is a top plan view thereof;

FIG. 4 is a bottom view thereof;

FIG. 5 is a side view thereof;

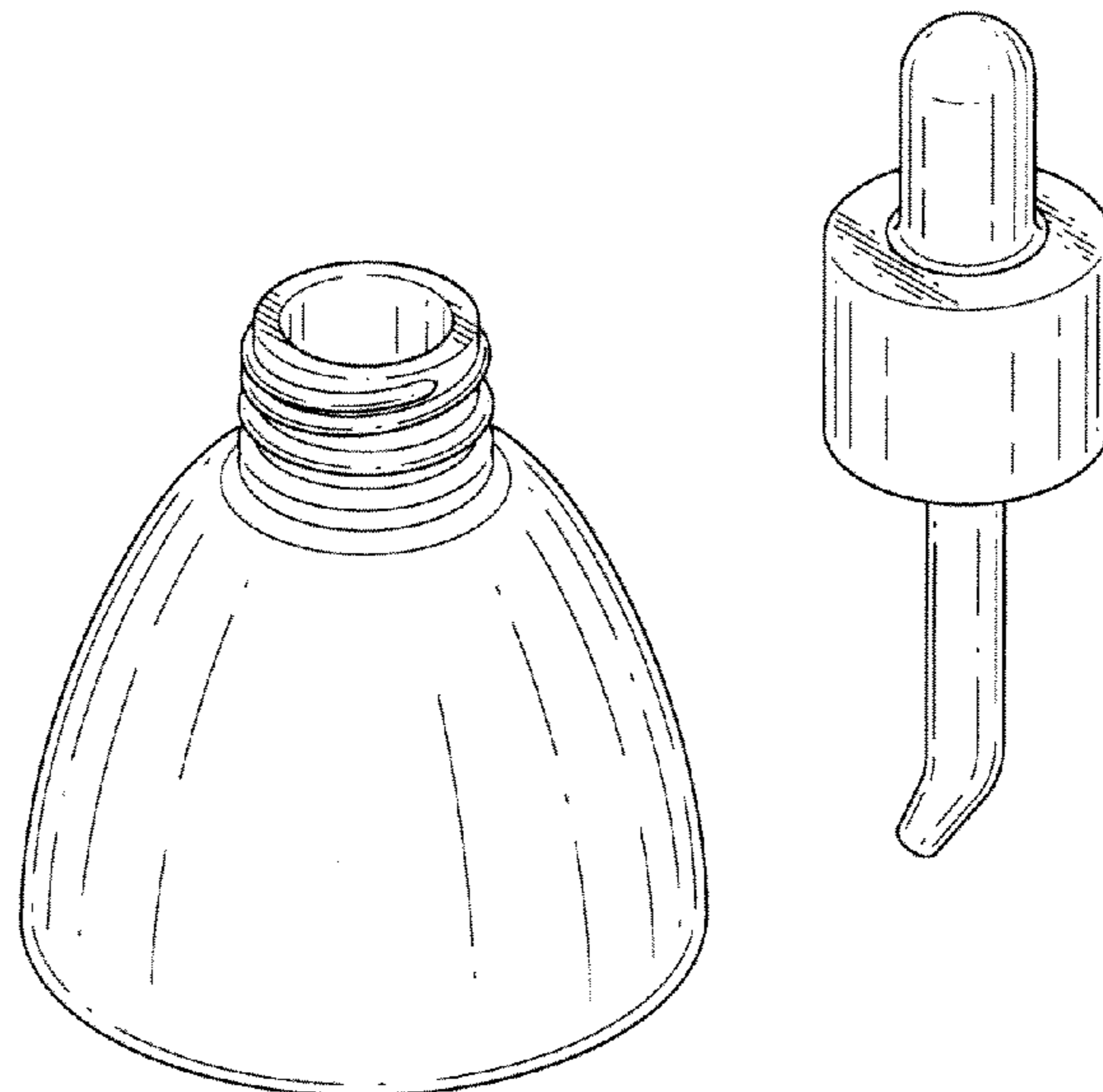
FIG. 6 is a cross sectional view thereof taken along line 6—6 in FIG. 5; and,

FIG. 7 is a perspective view thereof with the cap in a removed position.

The broken lines shown in the drawings are for illustrative purposes only and form no part of the claimed design.

Back view and one of the side views are omitted because a back view is identical to a front view, and side views are identical to each other.

1 Claim, 5 Drawing Sheets



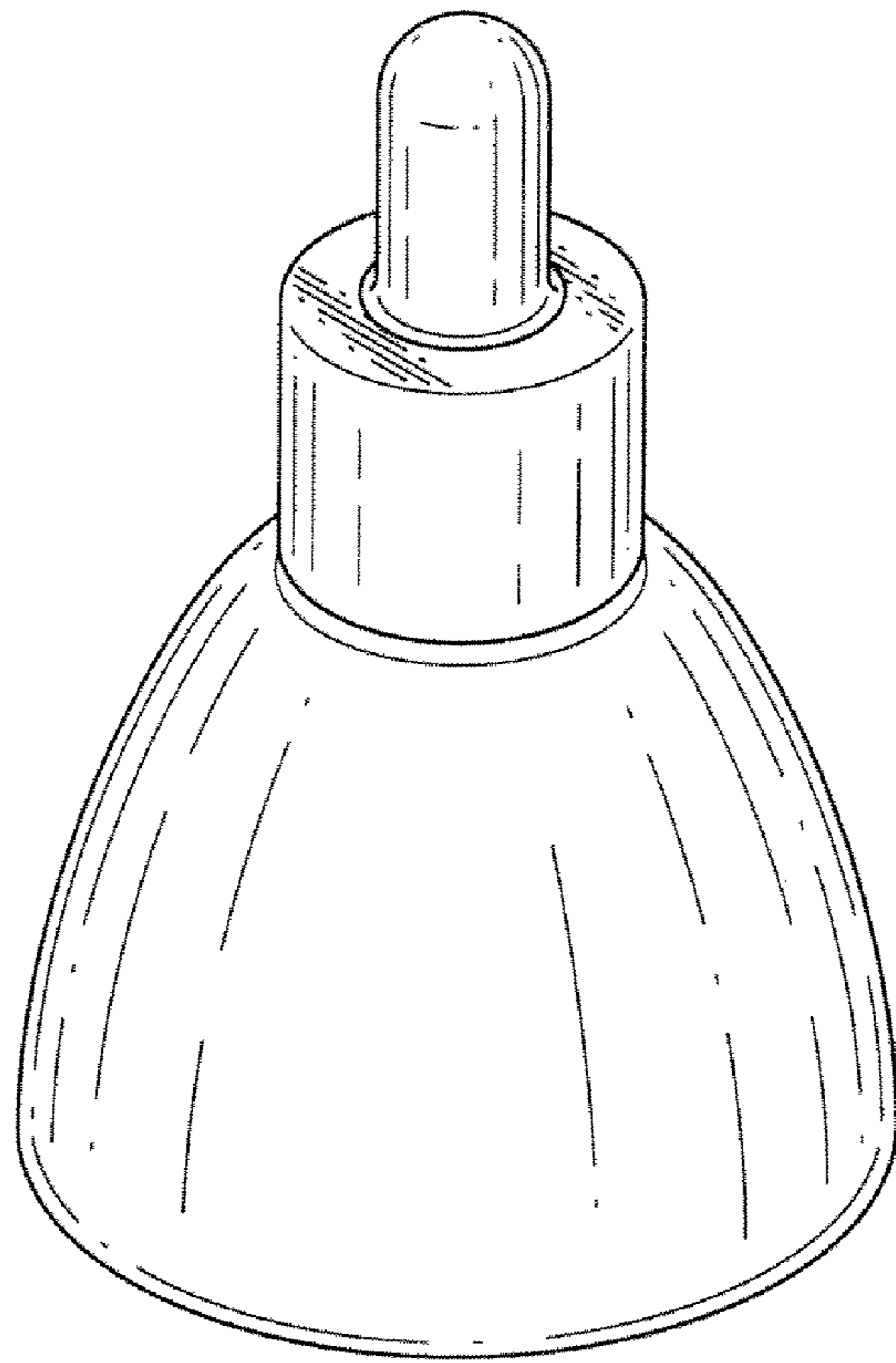


Fig. 1

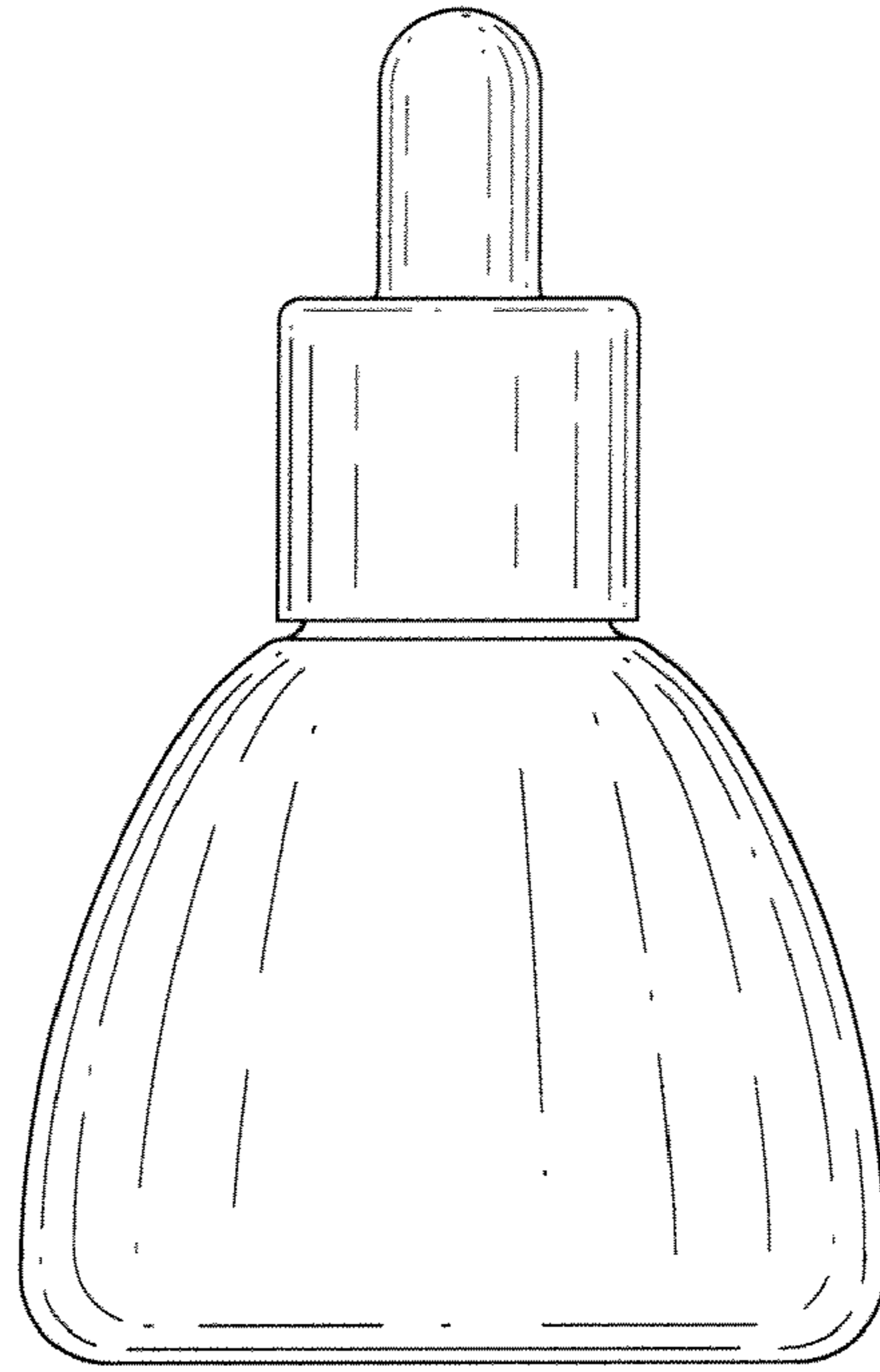


Fig. 2

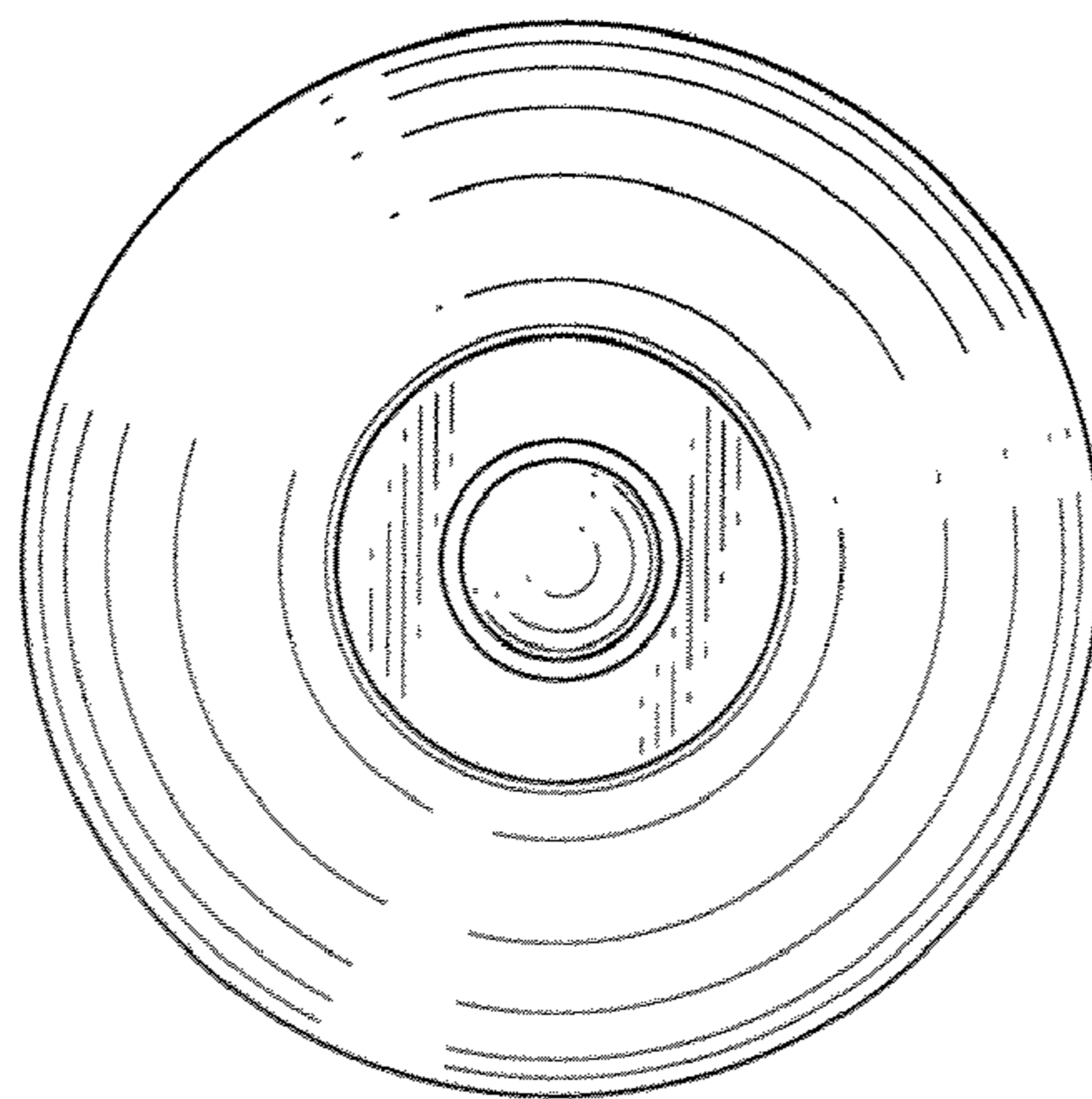


Fig. 3

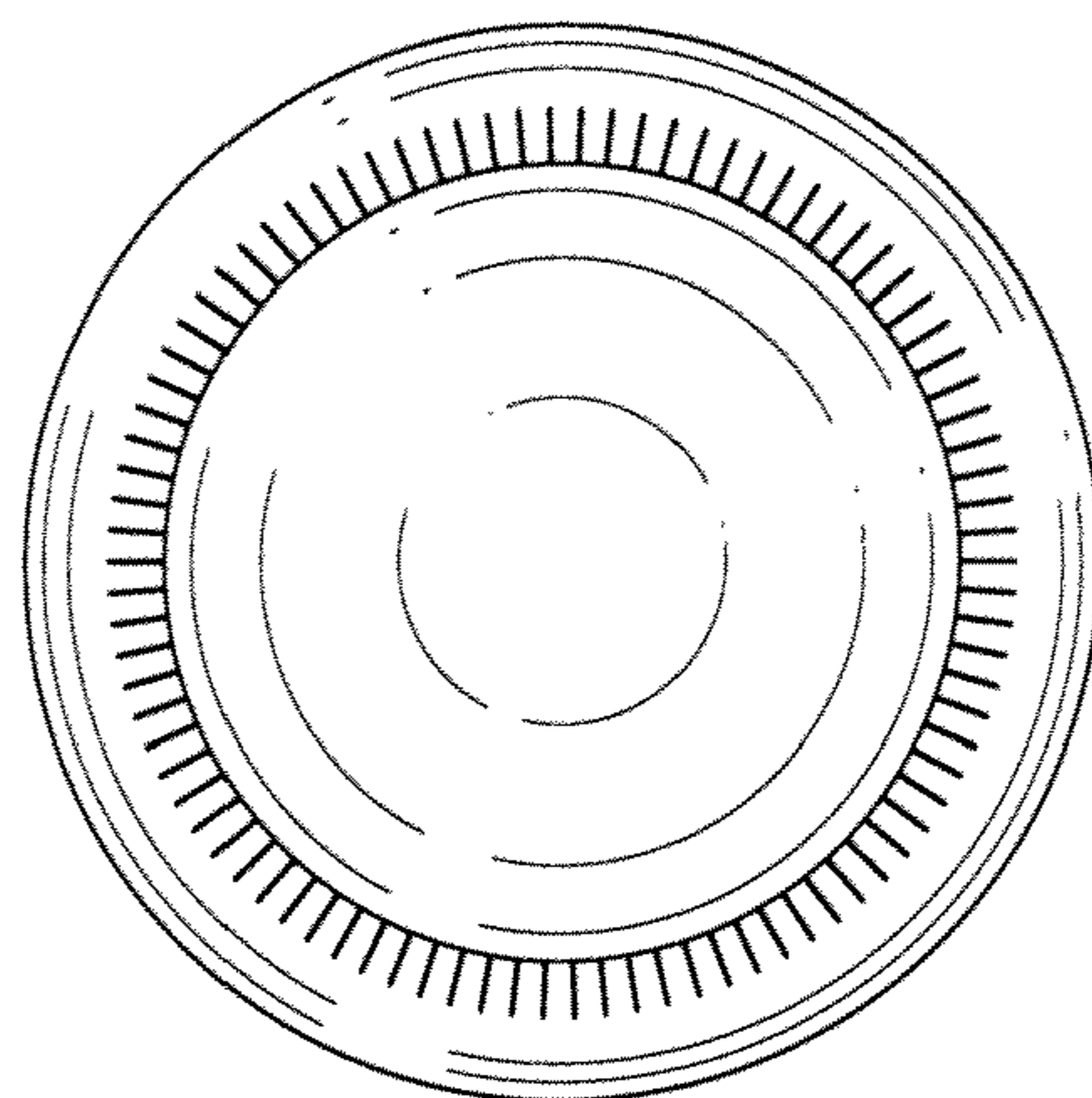


Fig. 4

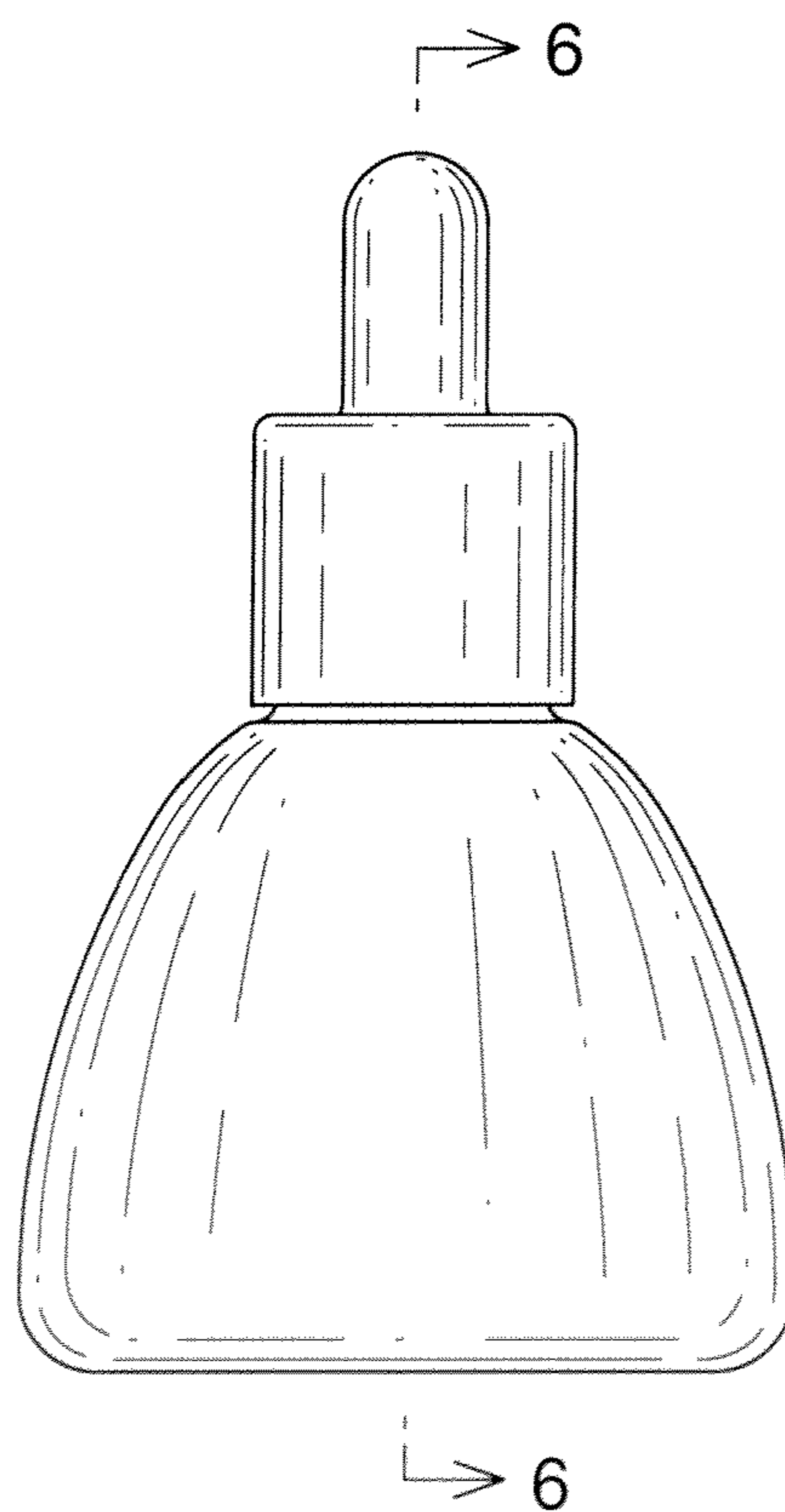


Fig. 5

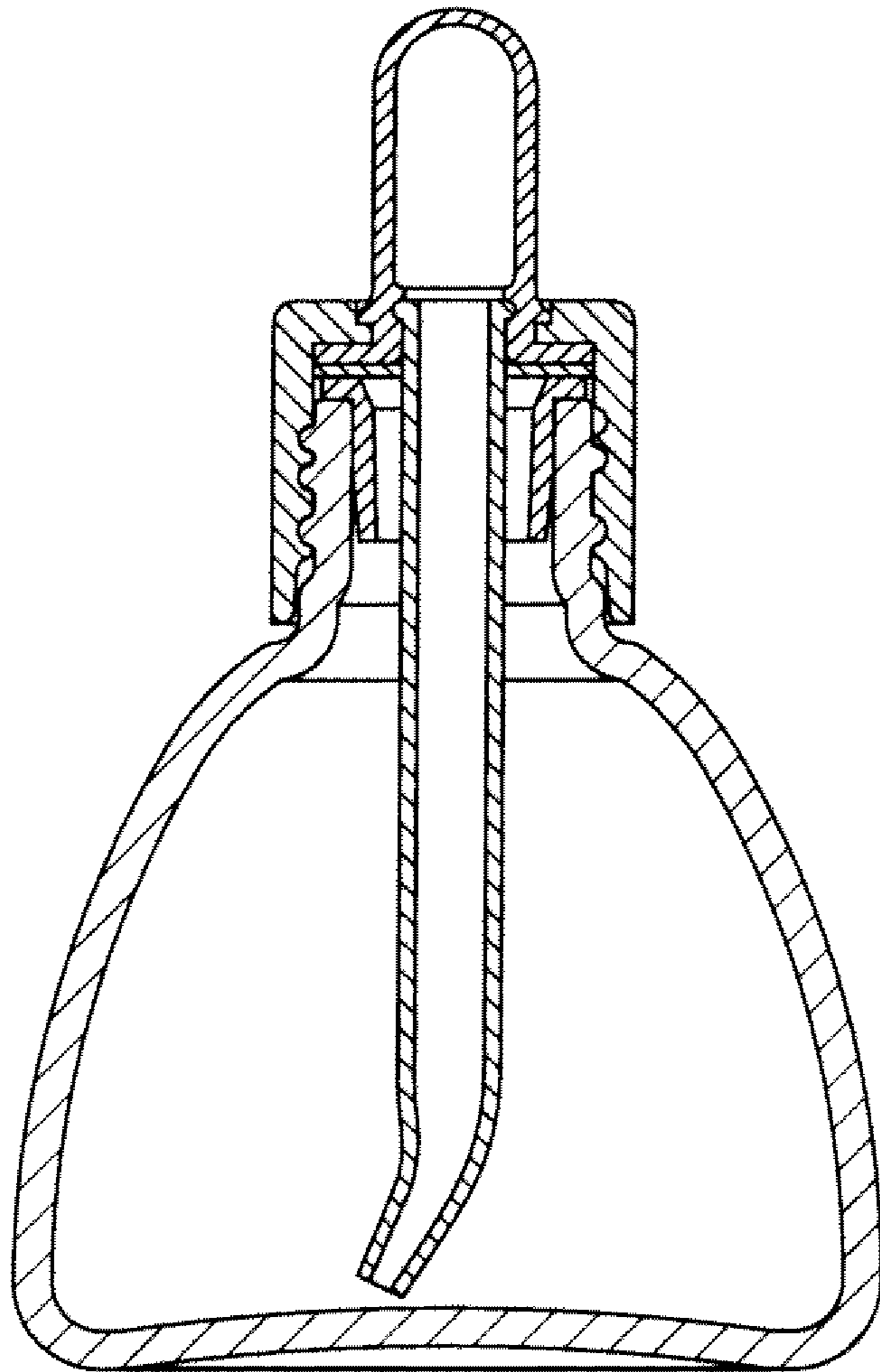


Fig. 6

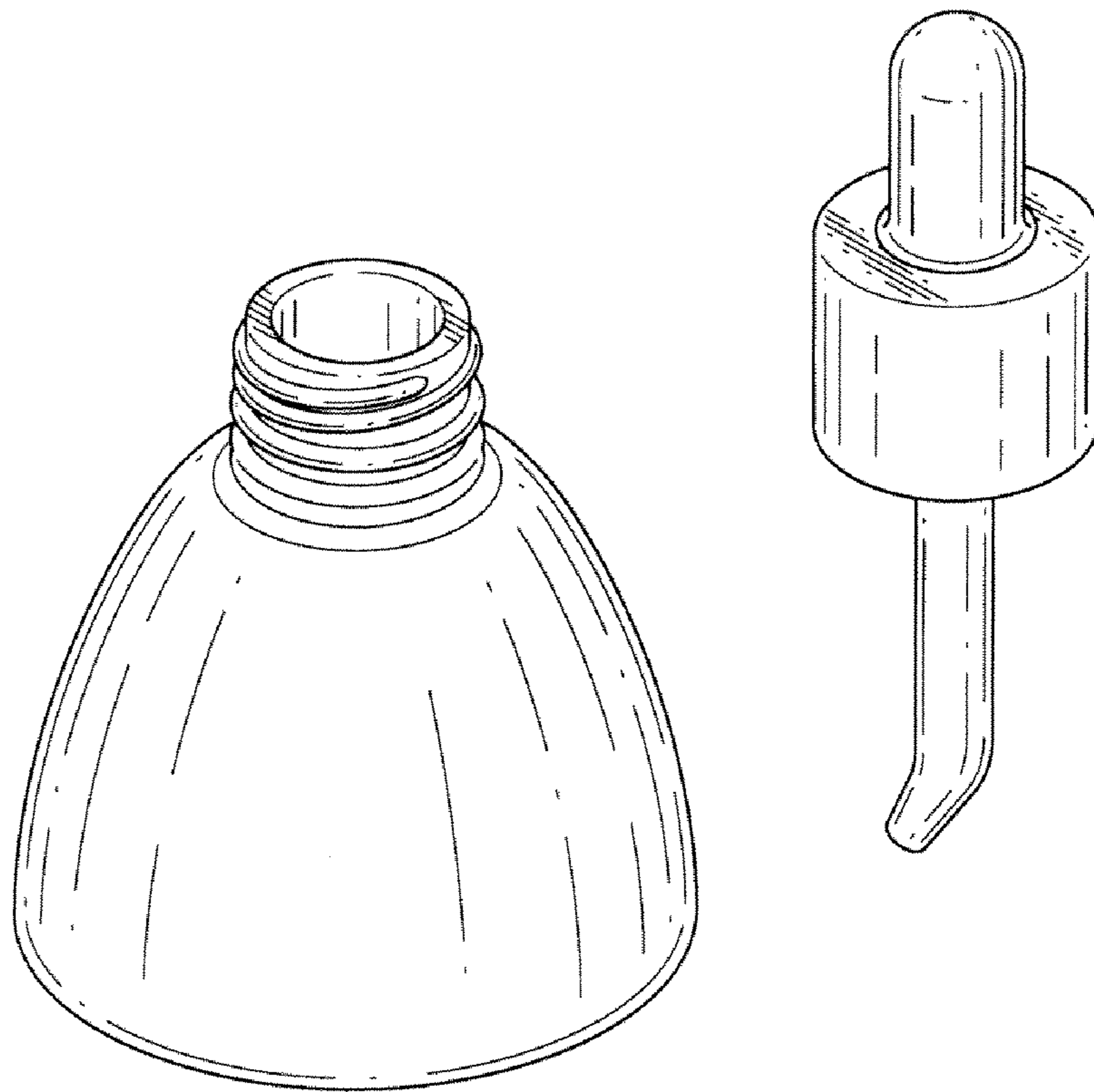


Fig. 7