



US00D628088S

(12) **United States Design Patent**
Huntington et al.

(10) **Patent No.:** **US D628,088 S**

(45) **Date of Patent:** **** Nov. 30, 2010**

(54) **PACKAGE FOR OPHTHALMIC LENSES AND SOLUTIONS THEREFORE**

(75) Inventors: **Elysha Huntington**, New York, NY (US); **Richard Tanaka**, New York, NY (US); **Anthony Yumul**, New York, NY (US); **Scott Beckerman**, Jersey City, NJ (US)

(73) Assignee: **Johnson & Johnson Vision Care, Inc.**, Jacksonville, FL (US)

(**) Term: **14 Years**

(21) Appl. No.: **29/345,328**

(22) Filed: **Oct. 14, 2009**

(51) **LOC (9) Cl.** **09-01**

(52) **U.S. Cl.** **D9/719**

(58) **Field of Classification Search** D9/696,
D9/715, 716, 719, 712-726, 503, 504, 516,
D9/522, 525, 526, 549, 558, 435, 443, 454;
D24/110, 115, 117

See application file for complete search history.

(56) **References Cited**

U.S. PATENT DOCUMENTS

D280,604 S * 9/1985 Johnson et al. D9/574

D324,333 S * 3/1992 Griffin et al. D9/529
D436,526 S * 1/2001 Ko D9/696
D515,936 S * 2/2006 Ko D9/696
D575,955 S * 9/2008 Maraia et al. D3/264
D592,065 S * 5/2009 England D9/526

* cited by examiner

Primary Examiner—Daniel D Bui

Assistant Examiner—Thomas J Johannes

(57) **CLAIM**

We claim the ornamental design for a package for ophthalmic lenses and solutions therefore, as shown and described.

DESCRIPTION

FIG. 1 is an expanded perspective view of a package for ophthalmic lenses and solutions therefore showing our new design.

FIG. 2 is a side elevation view of the right side thereof.

FIG. 3 is a side elevation view of the left side thereof.

FIG. 4 is a front elevation view thereof.

FIG. 5 is a back elevation view thereof.

FIG. 6 is a top plan view thereof; and,

FIG. 7 is a bottom plan view thereof.

1 Claim, 4 Drawing Sheets

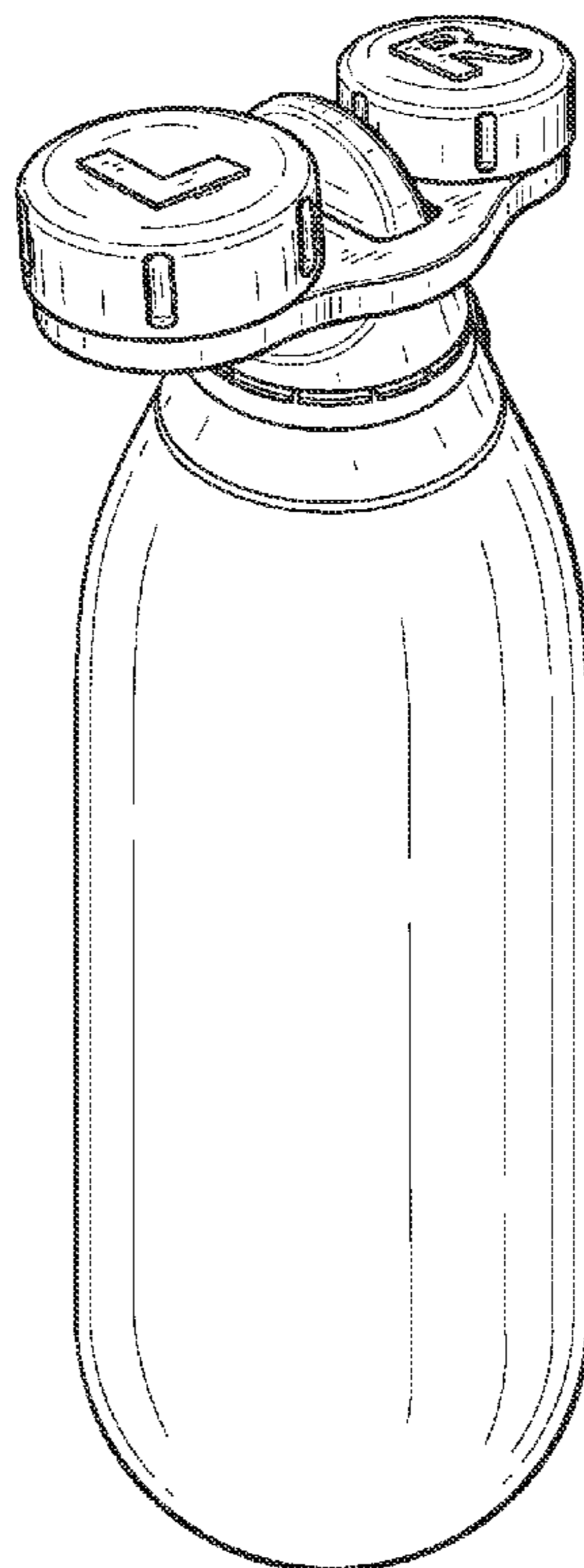


FIG. 1

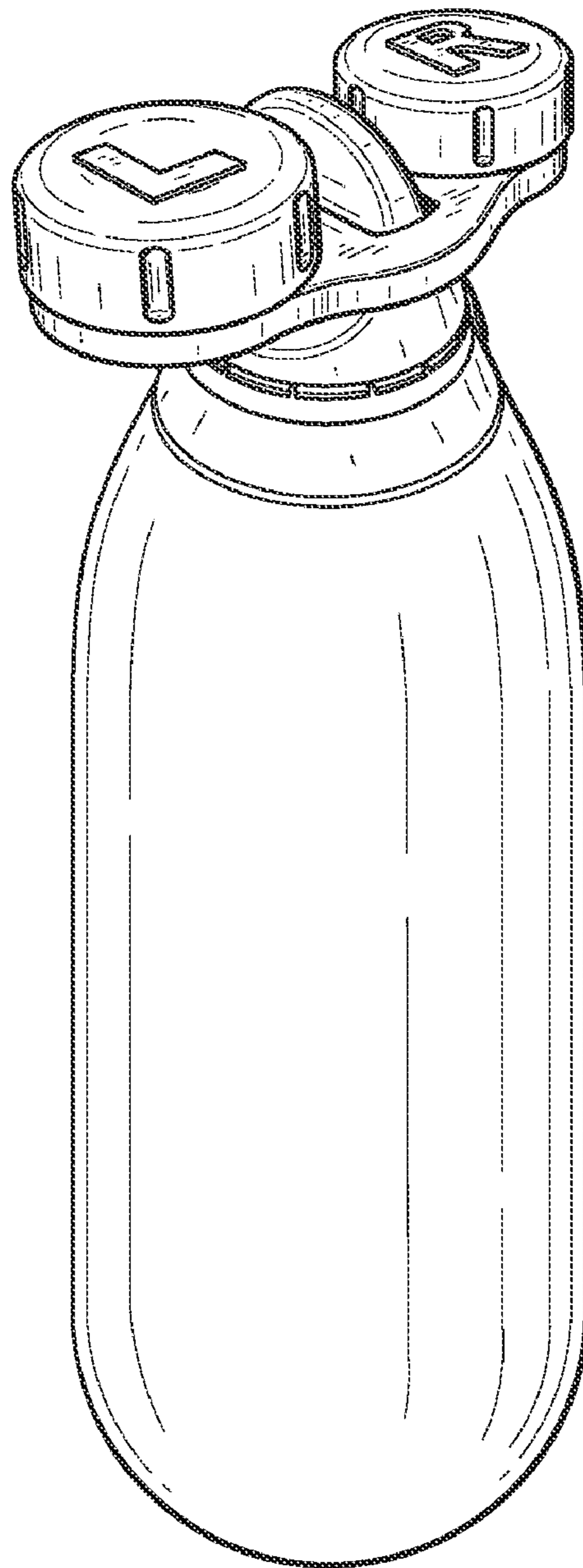


FIG. 2

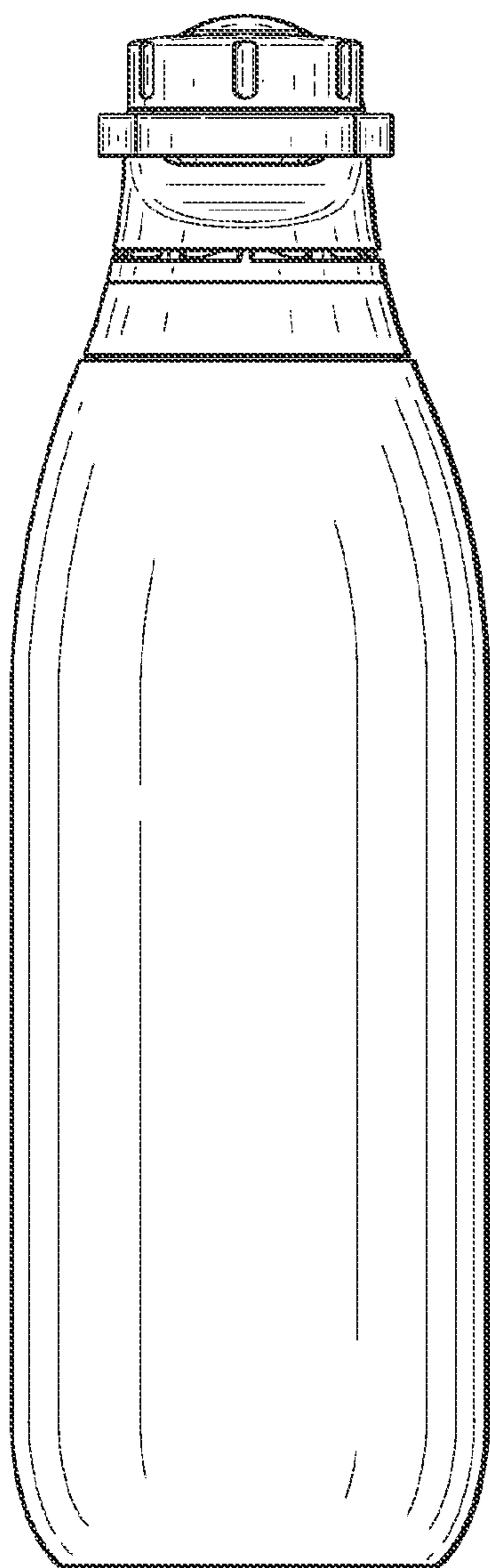


FIG. 3

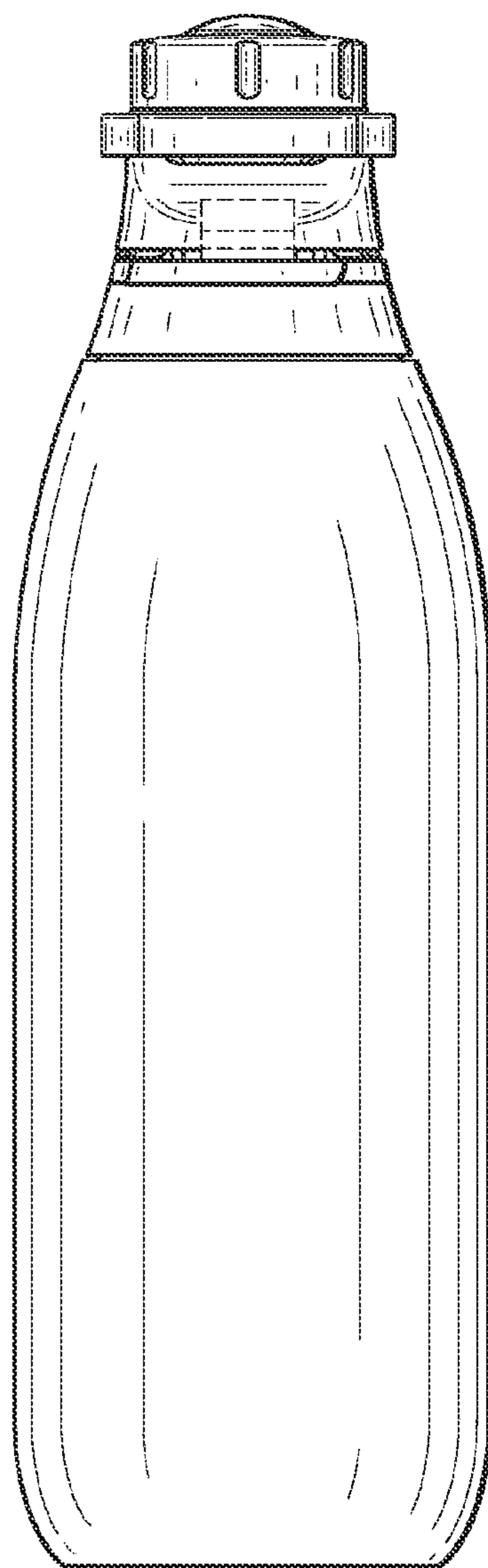


FIG. 4

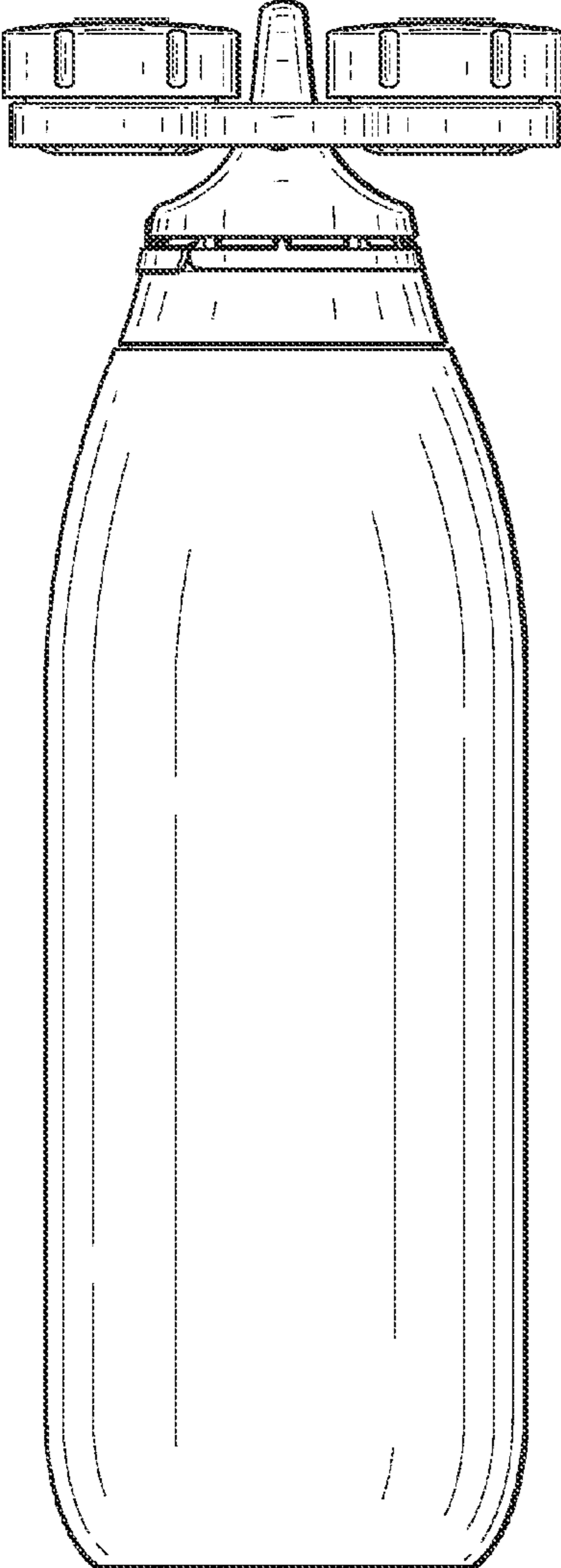


FIG. 5

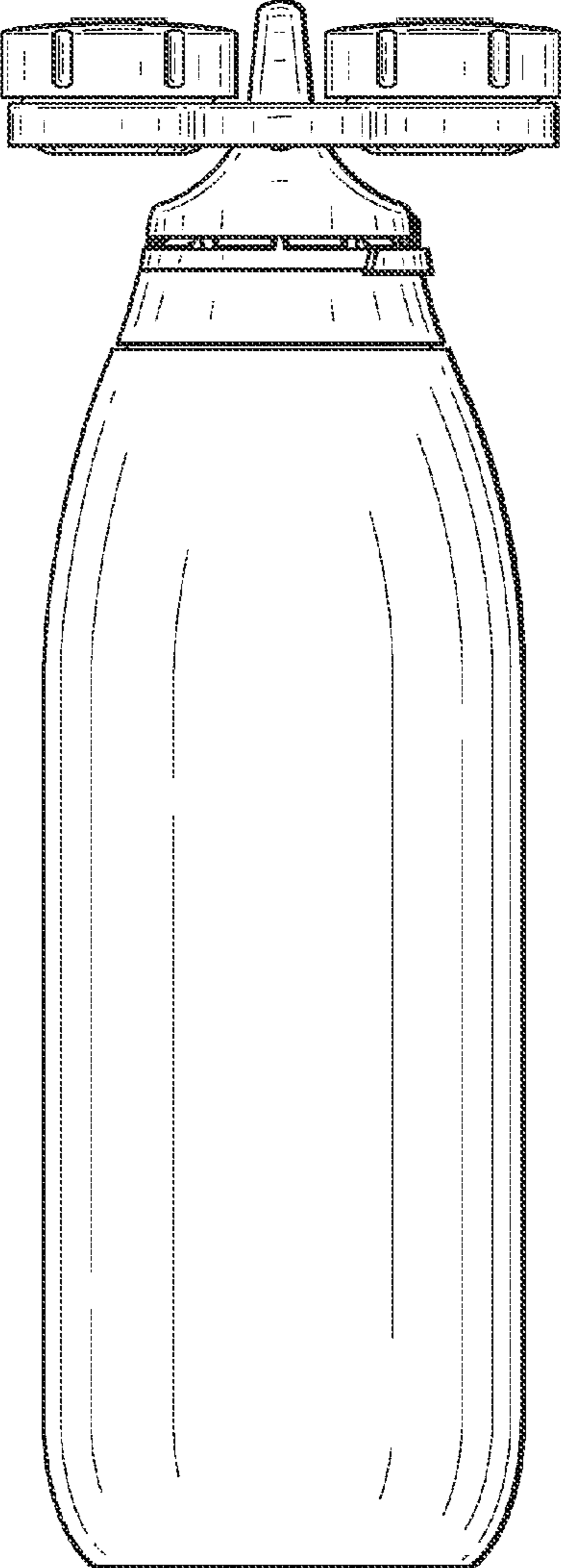


FIG. 6

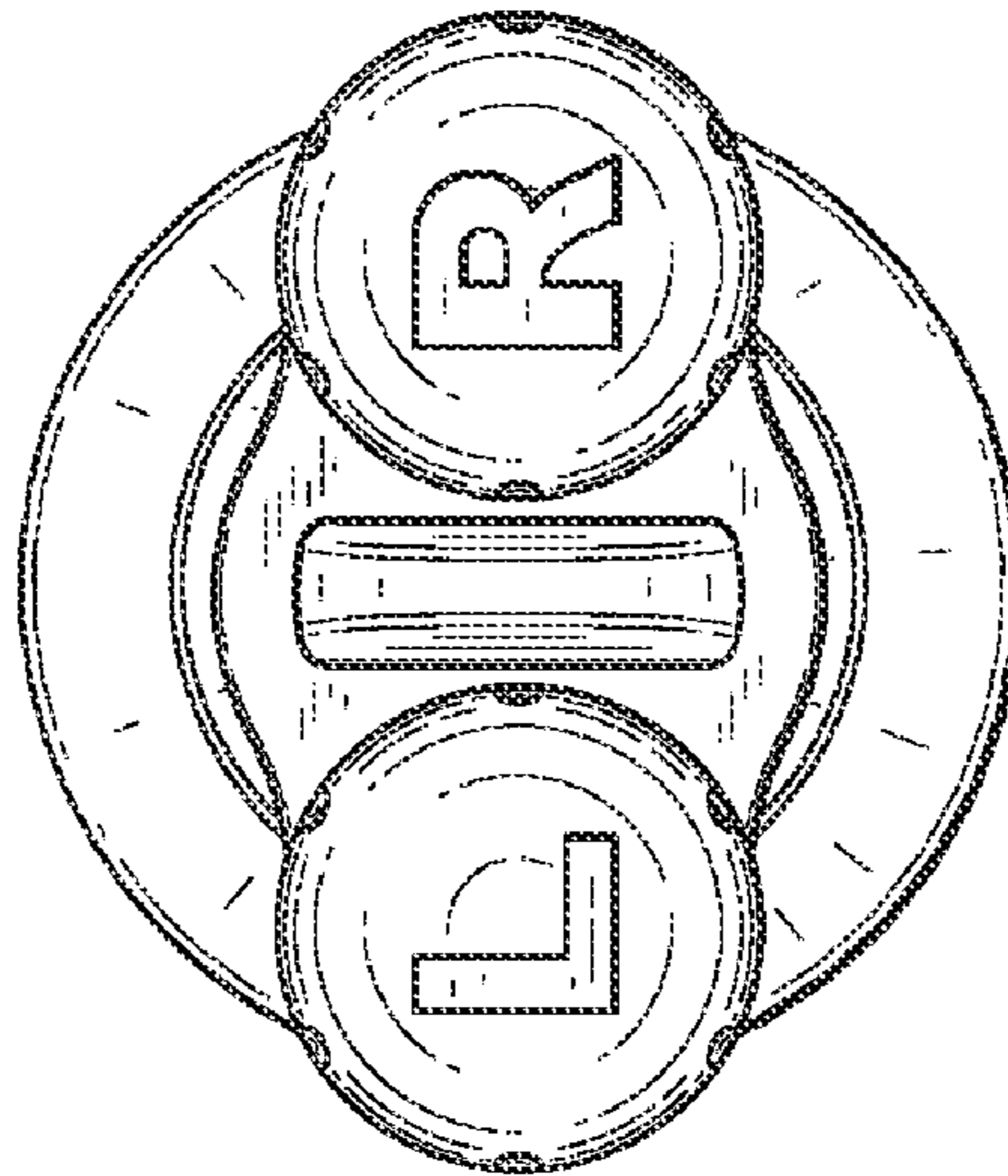


FIG. 7

