



US00D628080S

(12) **United States Design Patent**
Van Heerikhuize et al.

(10) **Patent No.:** **US D628,080 S**

(45) **Date of Patent:** **** Nov. 30, 2010**

(54) **CONTAINER WITH LID**

(75) Inventors: **Kees Van Heerikhuize**, Wierden (NL);
Johan Van Veenschoten, Wekerom (NL)

(73) Assignee: **Gereedschappenfabriek Van Den Brink, B.V.** (NL)

(**) Term: **14 Years**

(21) Appl. No.: **29/338,439**

(22) Filed: **Jun. 11, 2009**

(30) **Foreign Application Priority Data**

Dec. 12, 2008 (EM) 001055495

(51) **LOC (9) Cl.** **09-01**

(52) **U.S. Cl.** **D9/549; D9/428; D9/503;**
D9/575

(58) **Field of Classification Search** D9/416,
D9/500, 502-505, 516, 518, 549, 557-558,
D9/682, 686, 688, 690, 692; D7/509-511,
D7/601-602, 605, 608, 629; 215/11.1, 379,
215/381-382; 220/660, 662, 665, 669-673,
220/675, 677, 680

See application file for complete search history.

(56) **References Cited**

U.S. PATENT DOCUMENTS

2,141,184 A * 12/1938 Hothersall 220/787
2,436,193 A * 2/1948 Bristow 220/285
2,467,392 A * 4/1949 Kinberg 220/284
3,329,302 A * 7/1967 Kitchen 220/284
3,362,570 A * 1/1968 Geiger 220/284
D220,425 S * 4/1971 Bardell D9/556
D248,373 S * 7/1978 Allen D9/503

D263,565 S * 3/1982 Woinarski D9/558
D265,176 S * 6/1982 Bock D34/39
D265,548 S * 7/1982 Brundige et al. D9/780
D467,131 S * 12/2002 Wright et al. D7/615

* cited by examiner

Primary Examiner—Ian Simmons

Assistant Examiner—Dana L Sipos

(74) *Attorney, Agent, or Firm*—Jennifer E. Lacroix, Esq.;
DLA Piper LLP US

(57) **CLAIM**

We claim the ornamental design for a container with lid, as shown and described.

DESCRIPTION

FIG. 1 is a perspective view of the container with lid;

FIG. 2 is a right side elevational view of the container with lid, the left side elevational view being a mirror image thereof;

FIG. 3 is a perspective view of the container with the lid removed;

FIG. 4 is a right side elevational view of the container with the lid removed, the left side elevational view being a mirror image thereof;

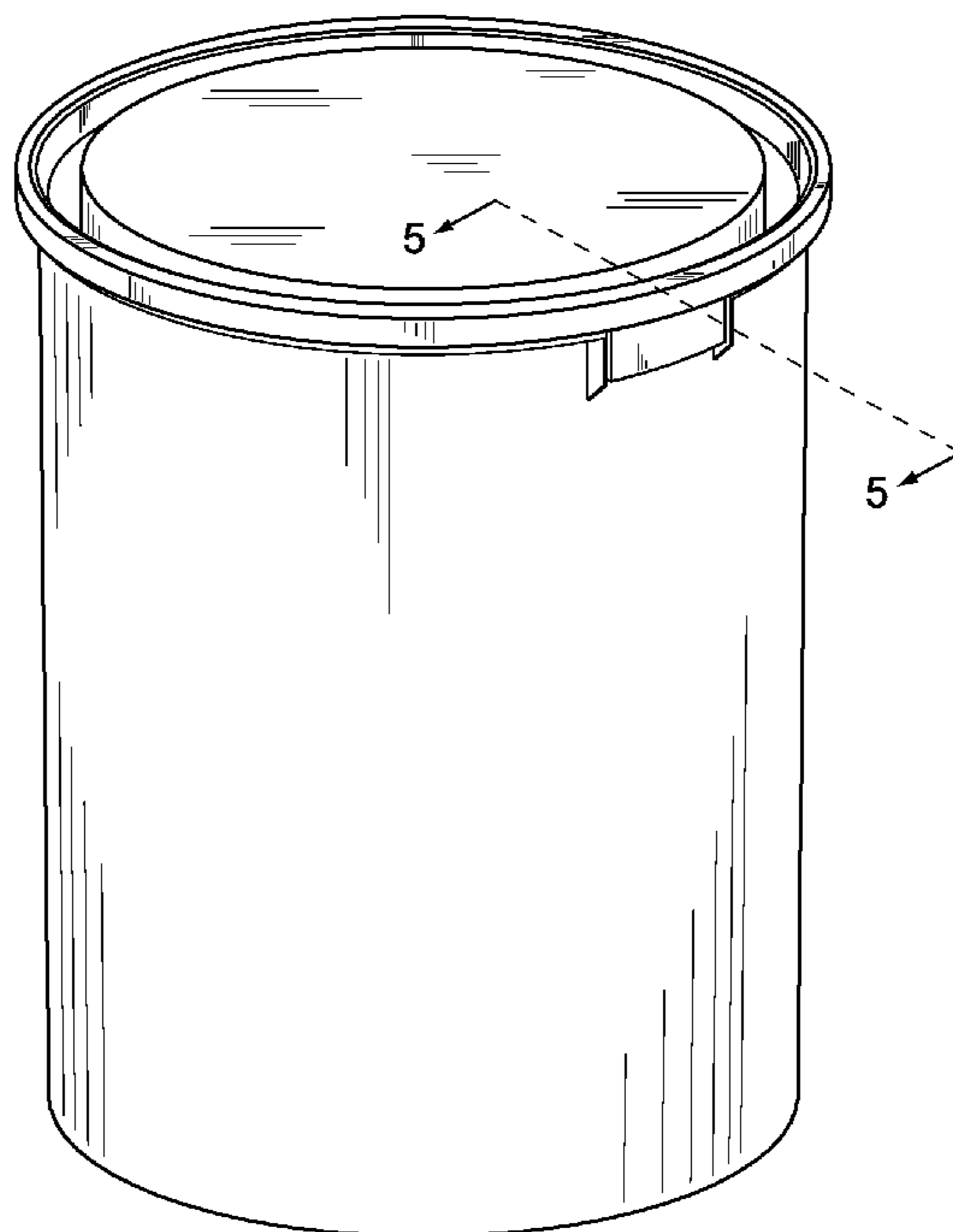
FIG. 5 is a detail cross sectional view of the container with lid, taken through the line 5—5 in FIG. 1;

FIG. 6 is a detail cross sectional view of the container with lid, taken through the line 6—6 in FIG. 2;

FIG. 7 is a detail cross sectional view of the container with the lid removed, taken through the line 7—7 in FIG. 3; and,

FIG. 8 is a detail cross sectional view of the container with the lid removed, taken through the line 8—8 in FIG. 4.

1 Claim, 8 Drawing Sheets



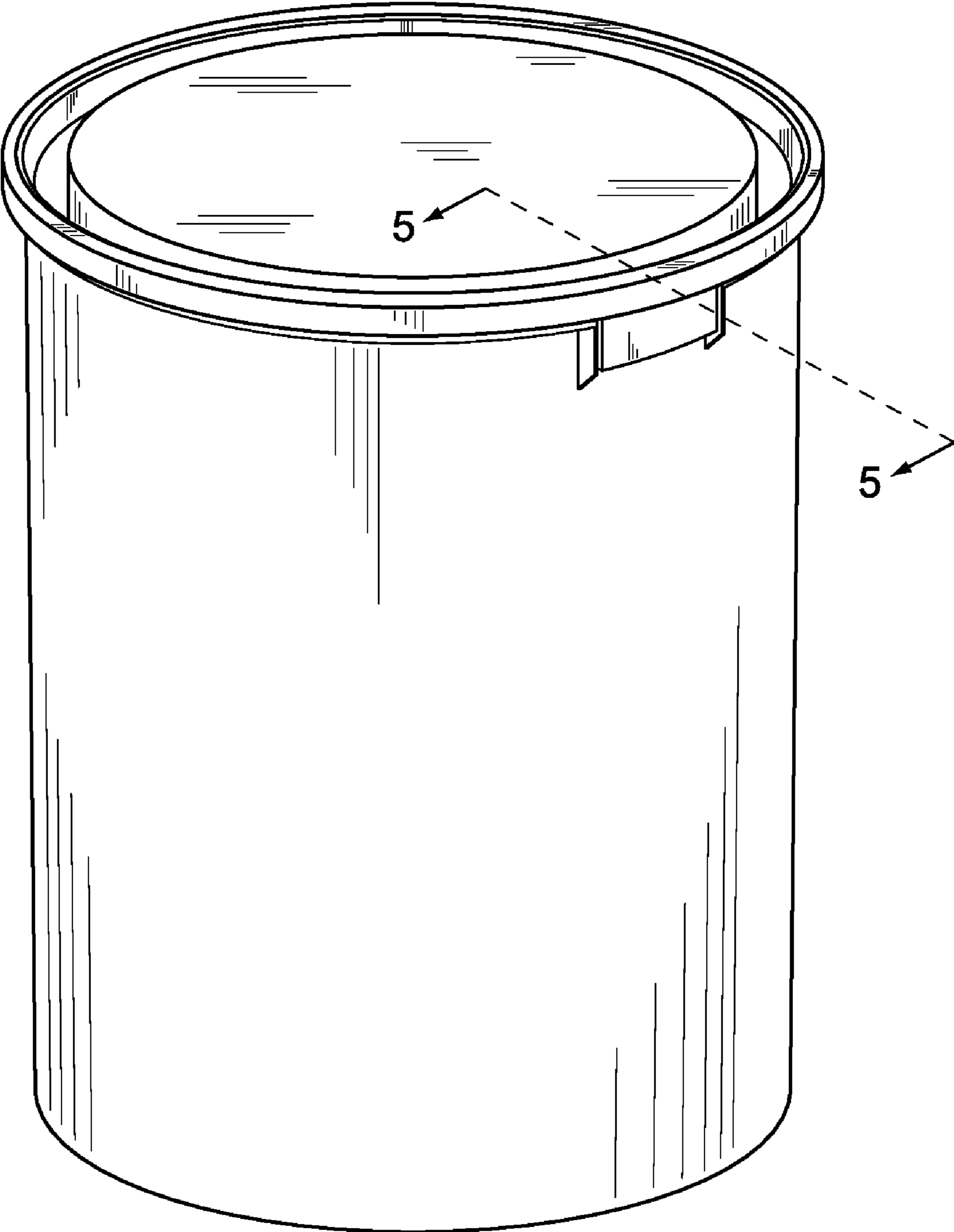


FIG. 1

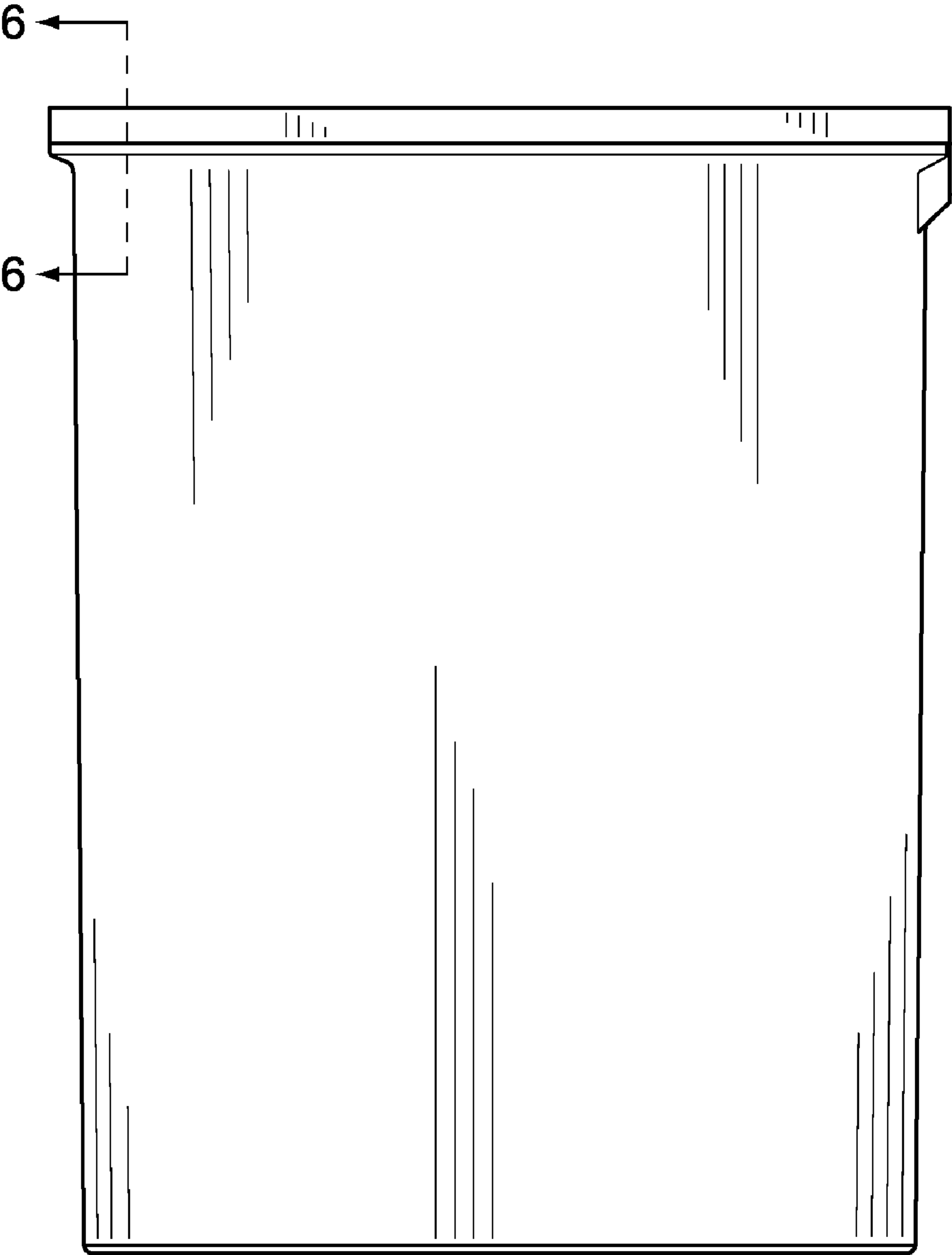


FIG. 2

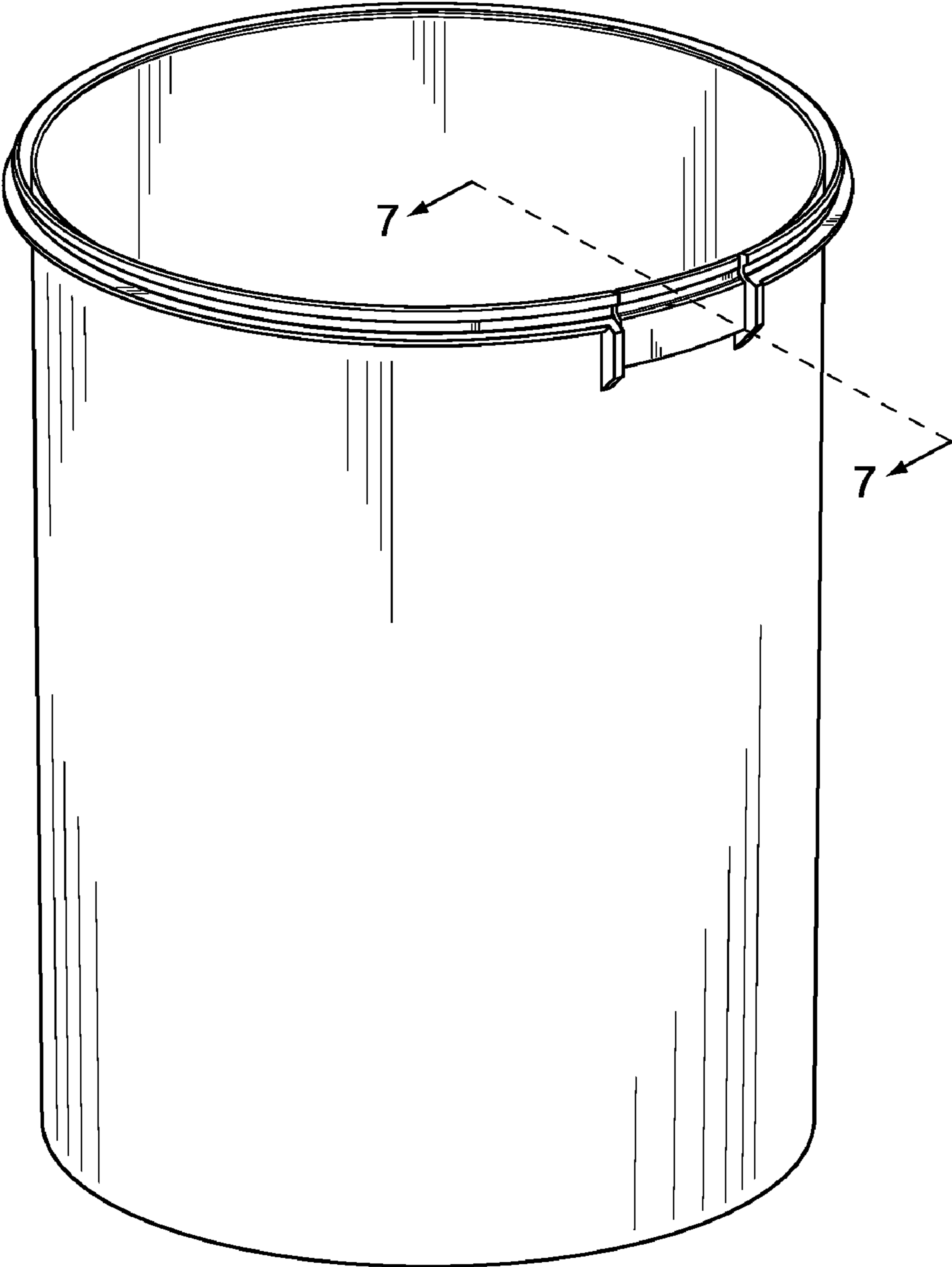


FIG. 3

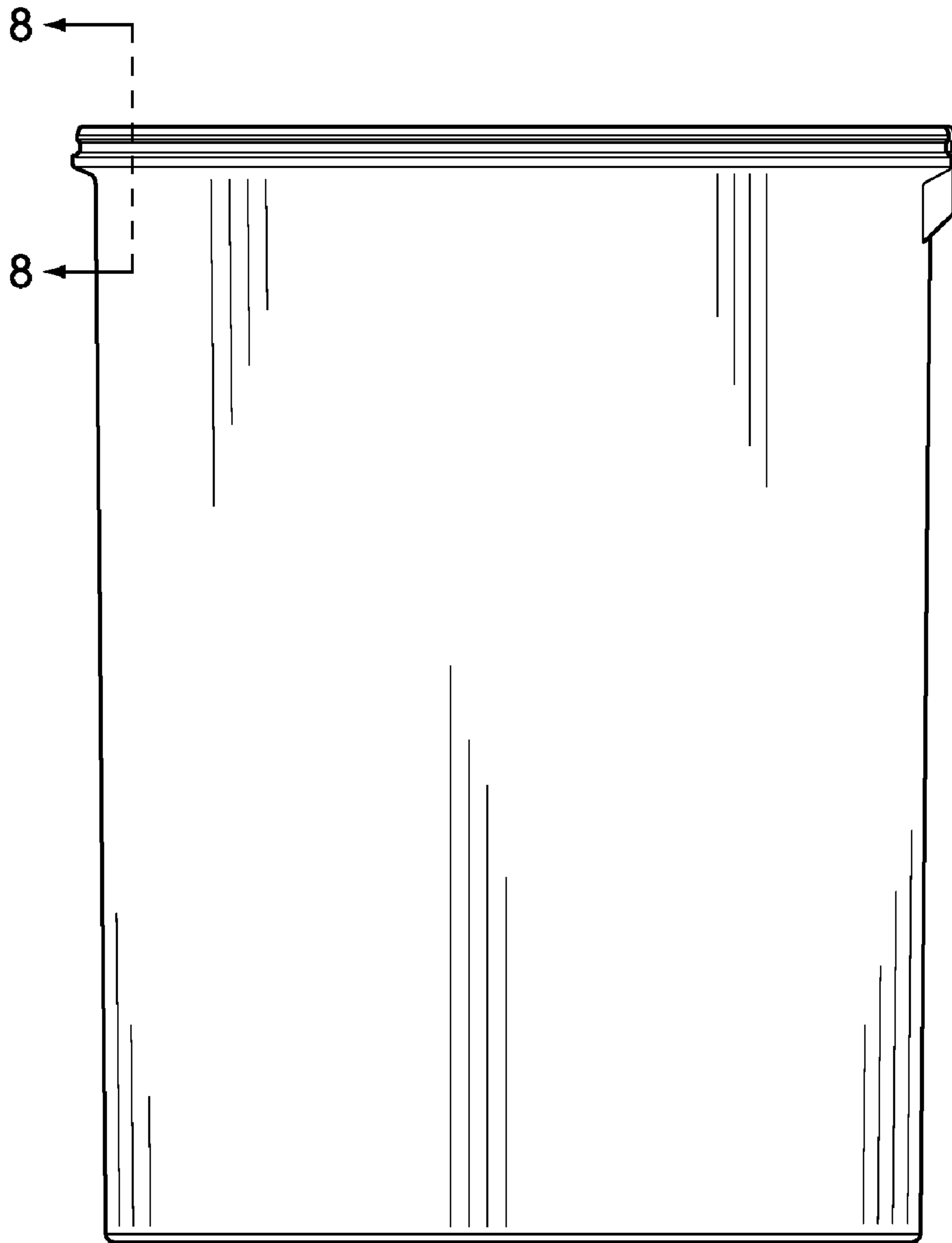


FIG. 4

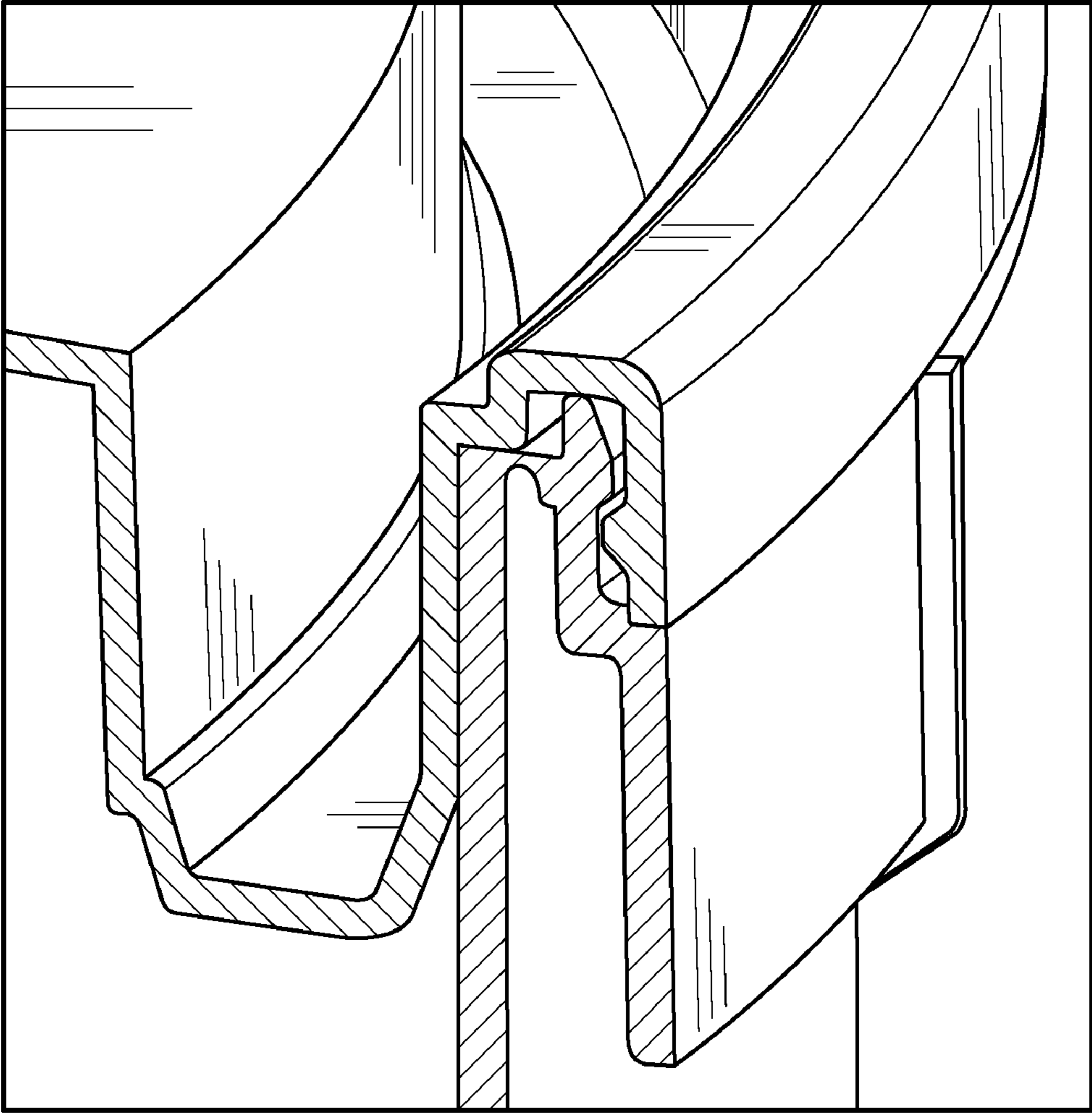


FIG. 5

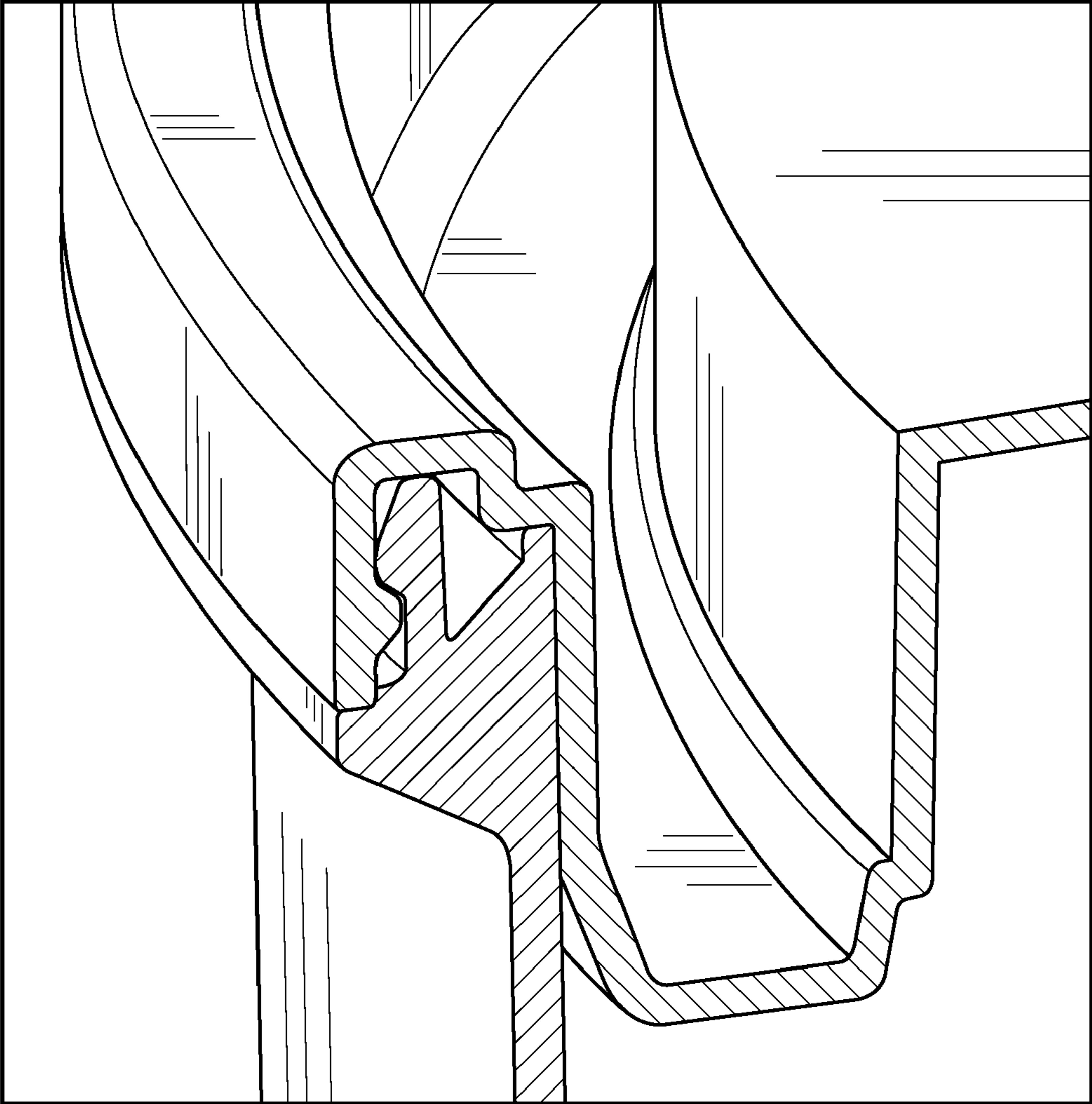


FIG. 6

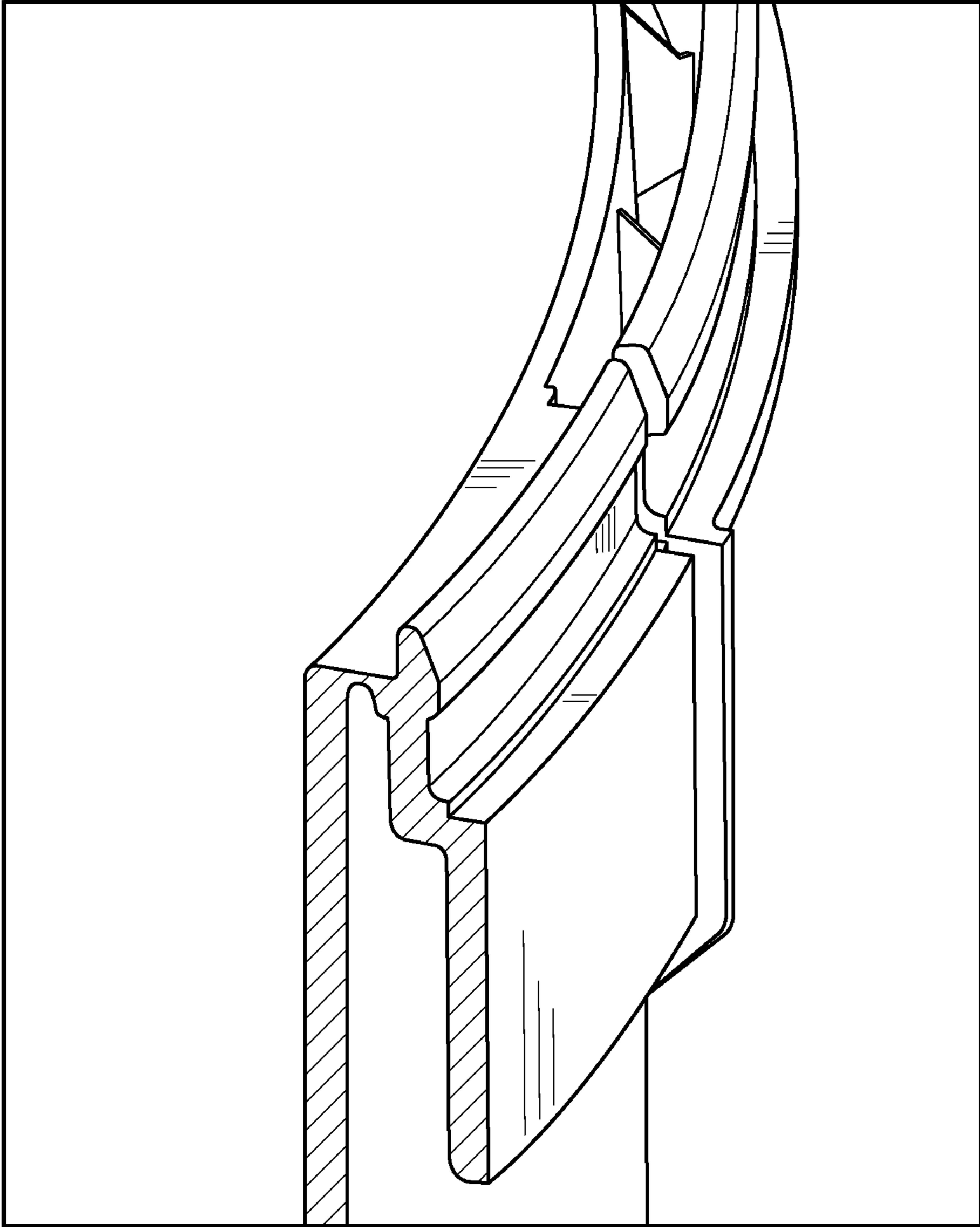


FIG. 7

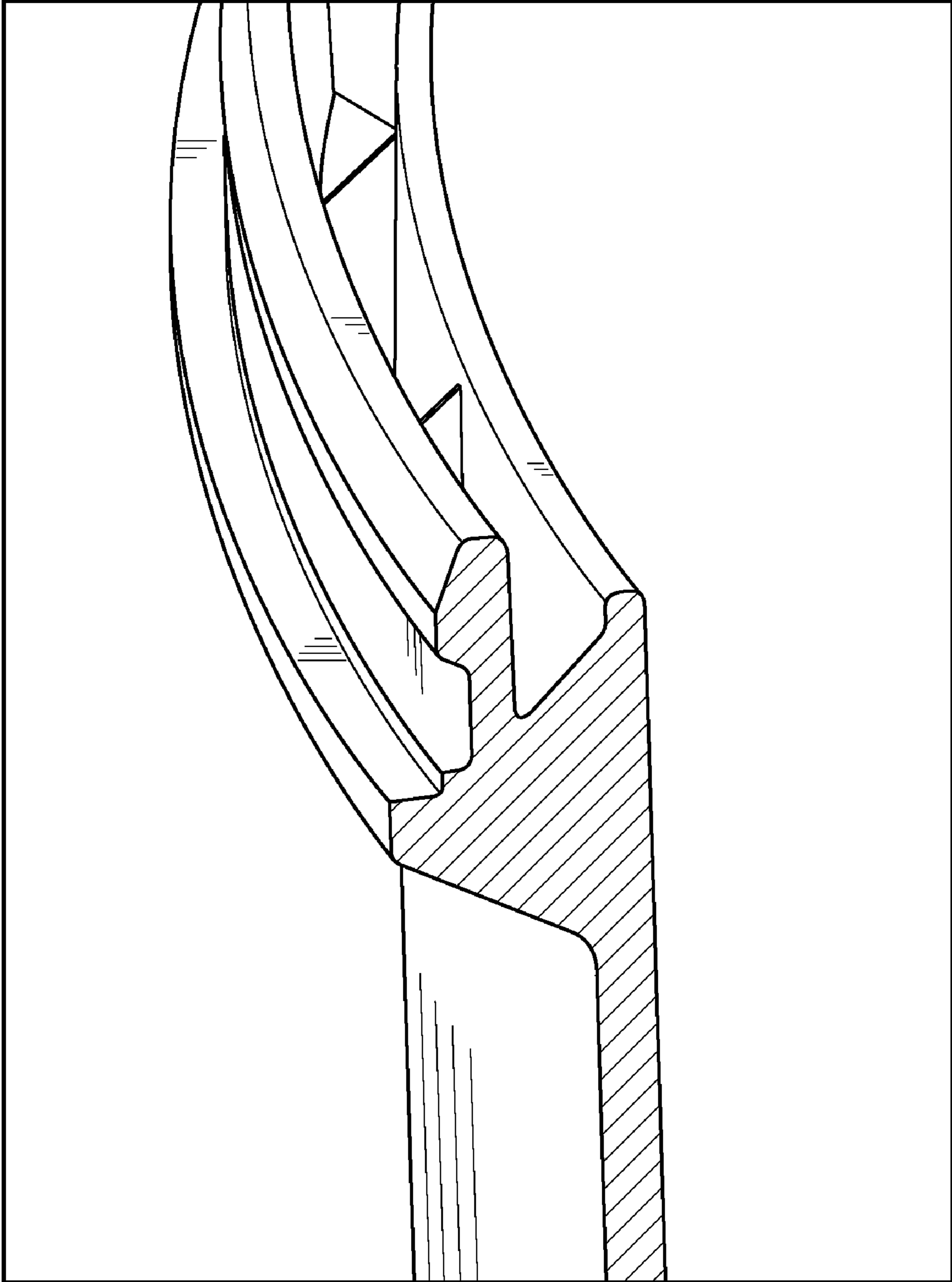


FIG. 8