



US00D628077S

(12) **United States Design Patent**
Lee

(10) **Patent No.:** **US D628,077 S**
(45) **Date of Patent:** **** Nov. 30, 2010**

(54) **COSMETIC CASE**

(76) Inventor: **Jung Bae Lee**, 514-1106 Mokdong Apt.
5-Danji, 912 Mok5-dong, Yangcheon-gu,
Seoul (KR) 158-755

(**) Term: **14 Years**

(21) Appl. No.: **29/339,993**

(22) Filed: **Jul. 10, 2009**

(30) **Foreign Application Priority Data**

Feb. 27, 2009 (KR) 30-2009-0008660

(51) **LOC (9) Cl.** **09-01**

(52) **U.S. Cl.** **D9/529; D9/439; D9/454;**
D9/504; D9/545; D9/556; D9/558

(58) **Field of Classification Search** D9/439,
D9/454, 500, 502-505, 516, 529, 549, 556-558,
D9/682, 686, 688, 690, 692; D7/509-511,
D7/601-602, 605, 608, 629; 215/11.1, 379,
215/381-382; 220/660, 662, 665, 669-673,
220/675, 677, 680

See application file for complete search history.

(56) **References Cited**

U.S. PATENT DOCUMENTS

D109,753 S * 5/1938 Fuerst D9/556
2,638,820 A * 5/1953 Barnes 493/56
D274,848 S * 7/1984 Chevassus D28/76
D278,121 S * 3/1985 Sussman D9/504
D281,673 S * 12/1985 Lampe D9/529
D285,657 S * 9/1986 Poore D9/734
D322,753 S * 12/1991 Sussman D9/504

D344,017 S * 2/1994 Lang et al. D9/727
D466,814 S * 12/2002 Hurlburt D9/504
D484,644 S * 12/2003 Noh D28/76
D485,016 S * 1/2004 Noh D28/76
D485,017 S * 1/2004 Noh D28/76
D486,270 S * 2/2004 Kurumada et al. D28/76

* cited by examiner

Primary Examiner—Ian Simmons

Assistant Examiner—Dana L Sipos

(74) *Attorney, Agent, or Firm*—Jae Y. Park; Kile Park
Goekjian Reed & McManus PLLC

(57) **CLAIM**

I claim, the ornamental design for cosmetic case, as shown
and described.

DESCRIPTION

FIG. 1 is a top perspective view of a cosmetic case showing
my new design;

FIG. 2 is a front elevation view thereof;

FIG. 3 is a rear elevation view thereof;

FIG. 4 is a left side elevation view thereof;

FIG. 5 is a right side elevation view thereof;

FIG. 6 is a top plan view thereof;

FIG. 7 is a bottom plan view thereof; and,

FIG. 8 is a top exploded perspective view thereof showing the
unclaimed puff inside the closure of the cosmetic case.

The broken lines in the drawing views showing the bottom
surface and the inside details of the cosmetic case illustrate
the portions of the design that form no part of the claim.

1 Claim, 5 Drawing Sheets

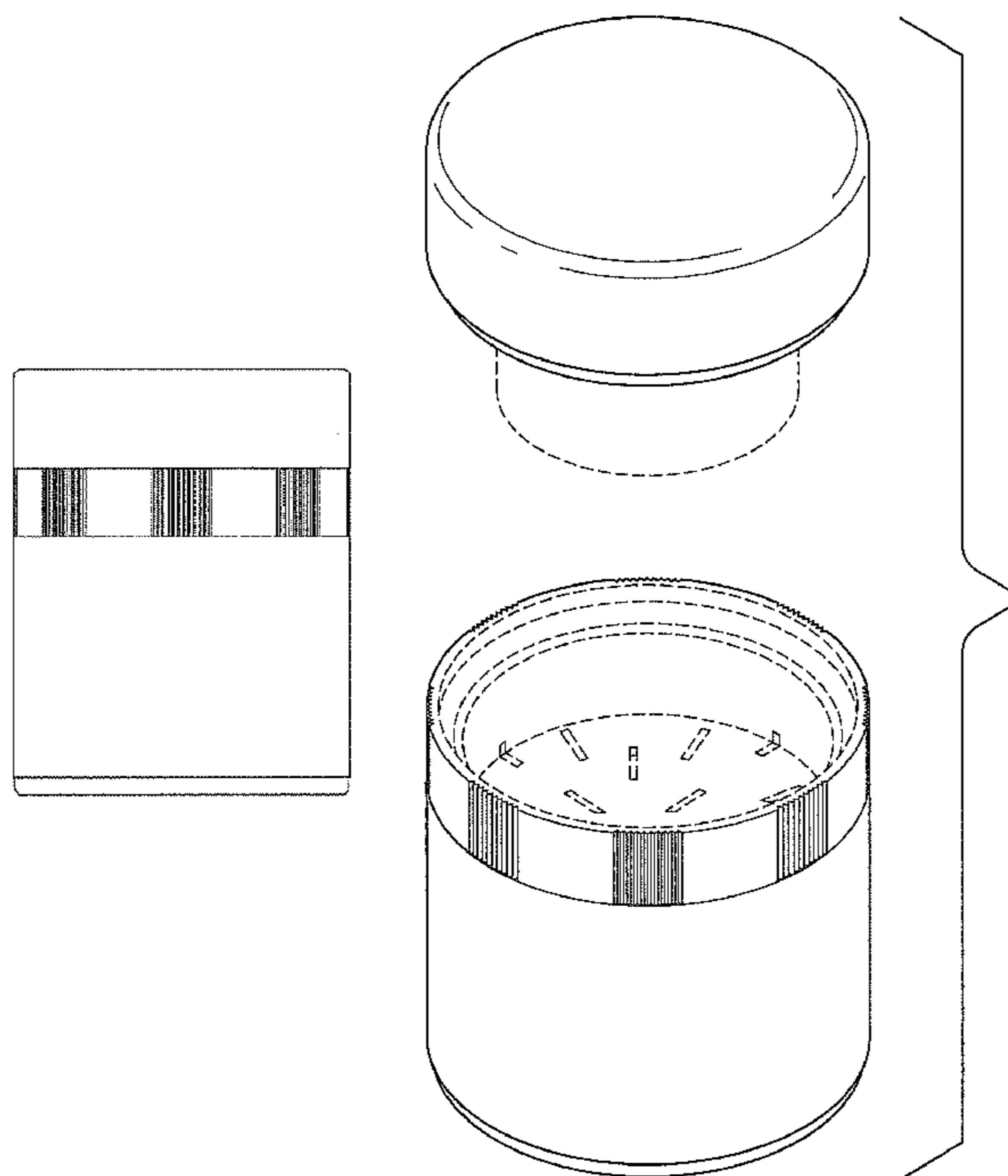


FIG. 1

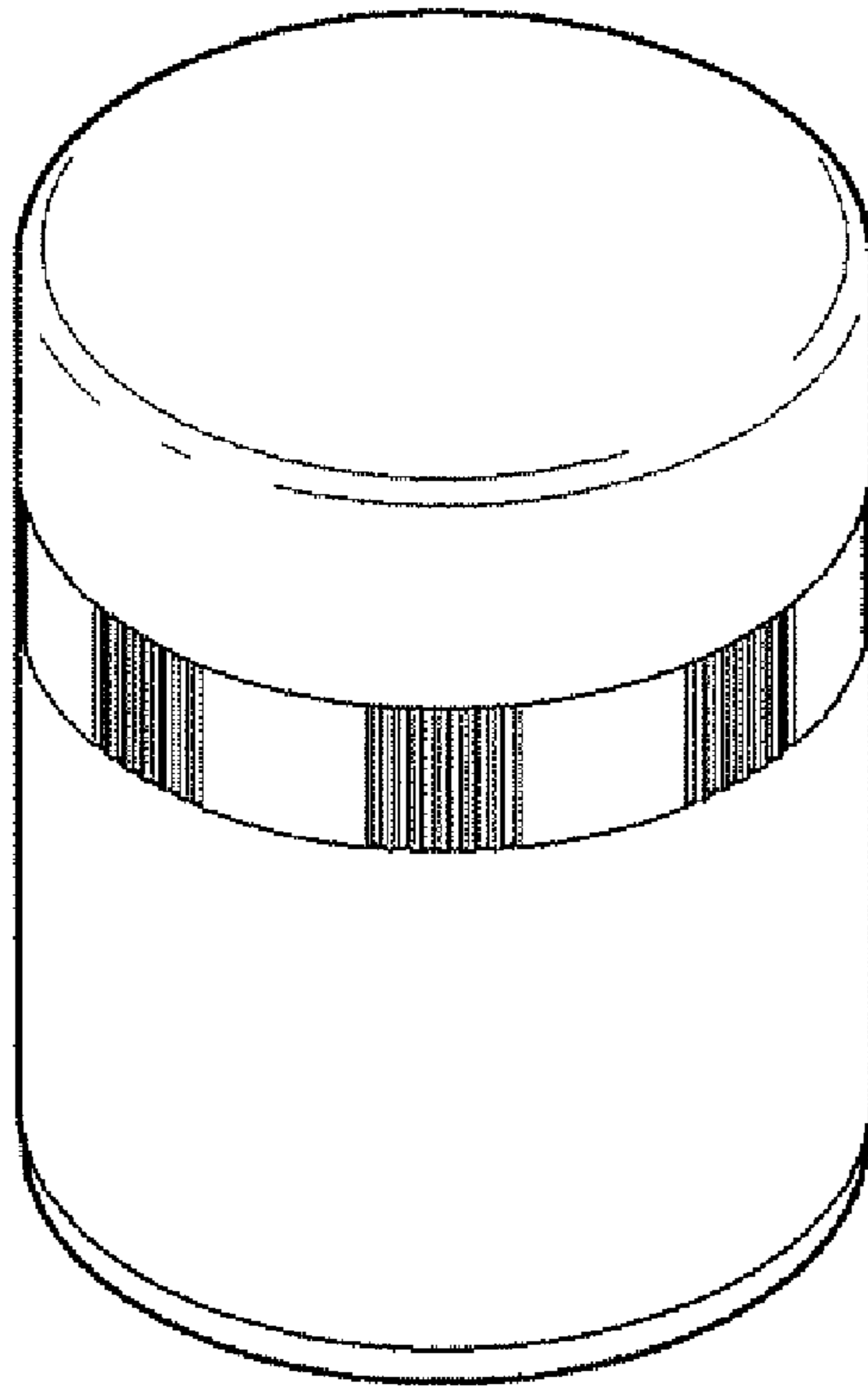


FIG. 2

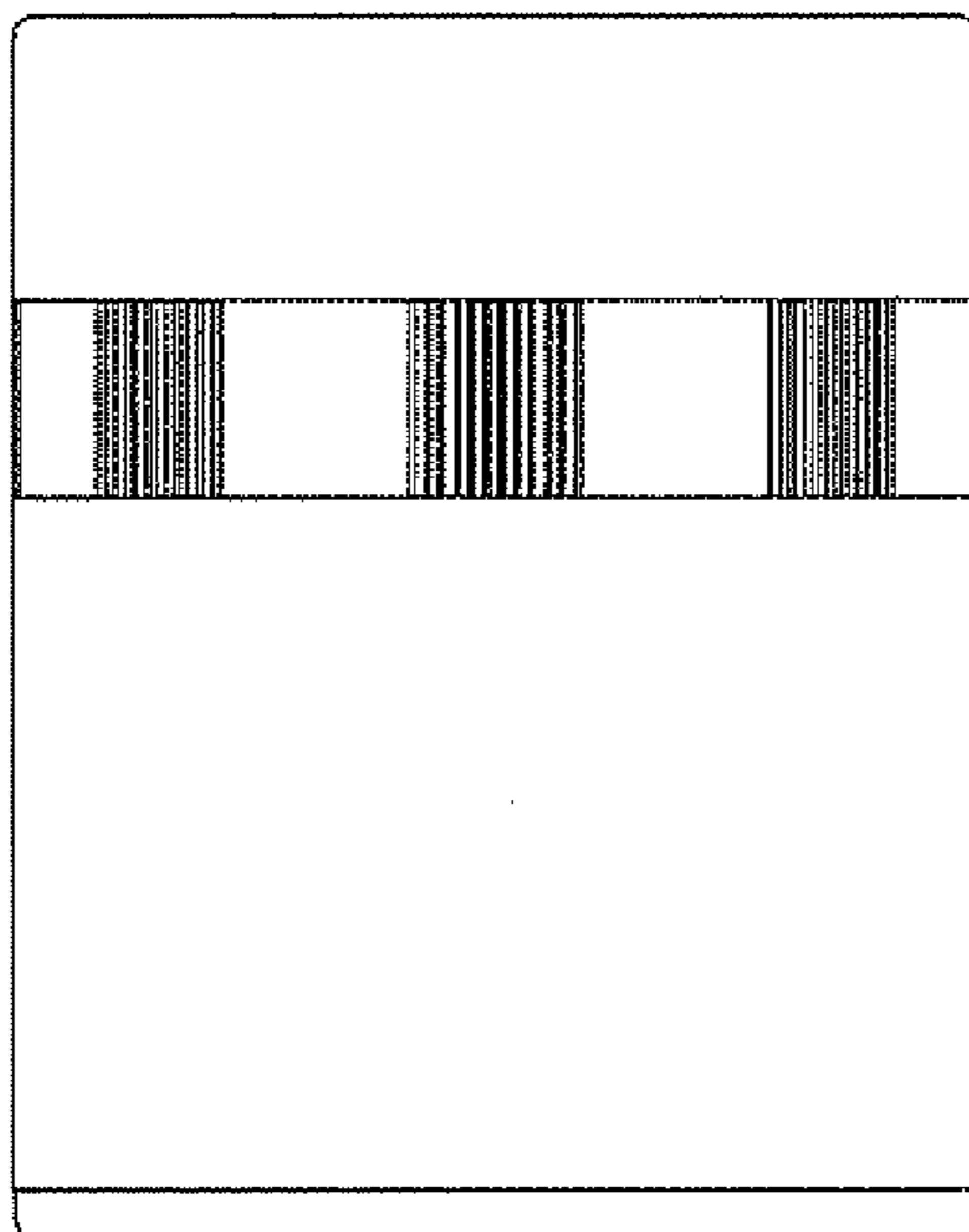


FIG. 3

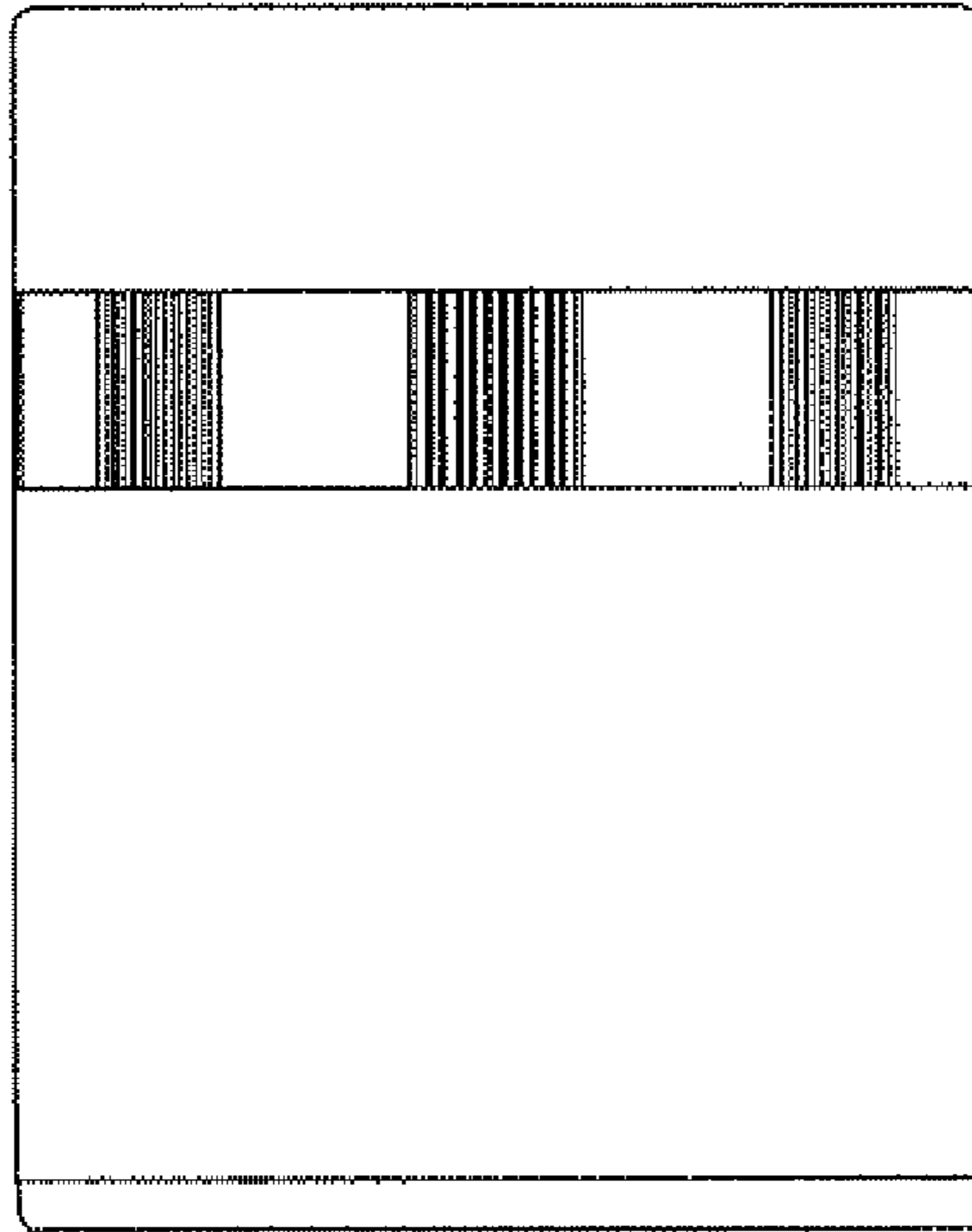


FIG. 4

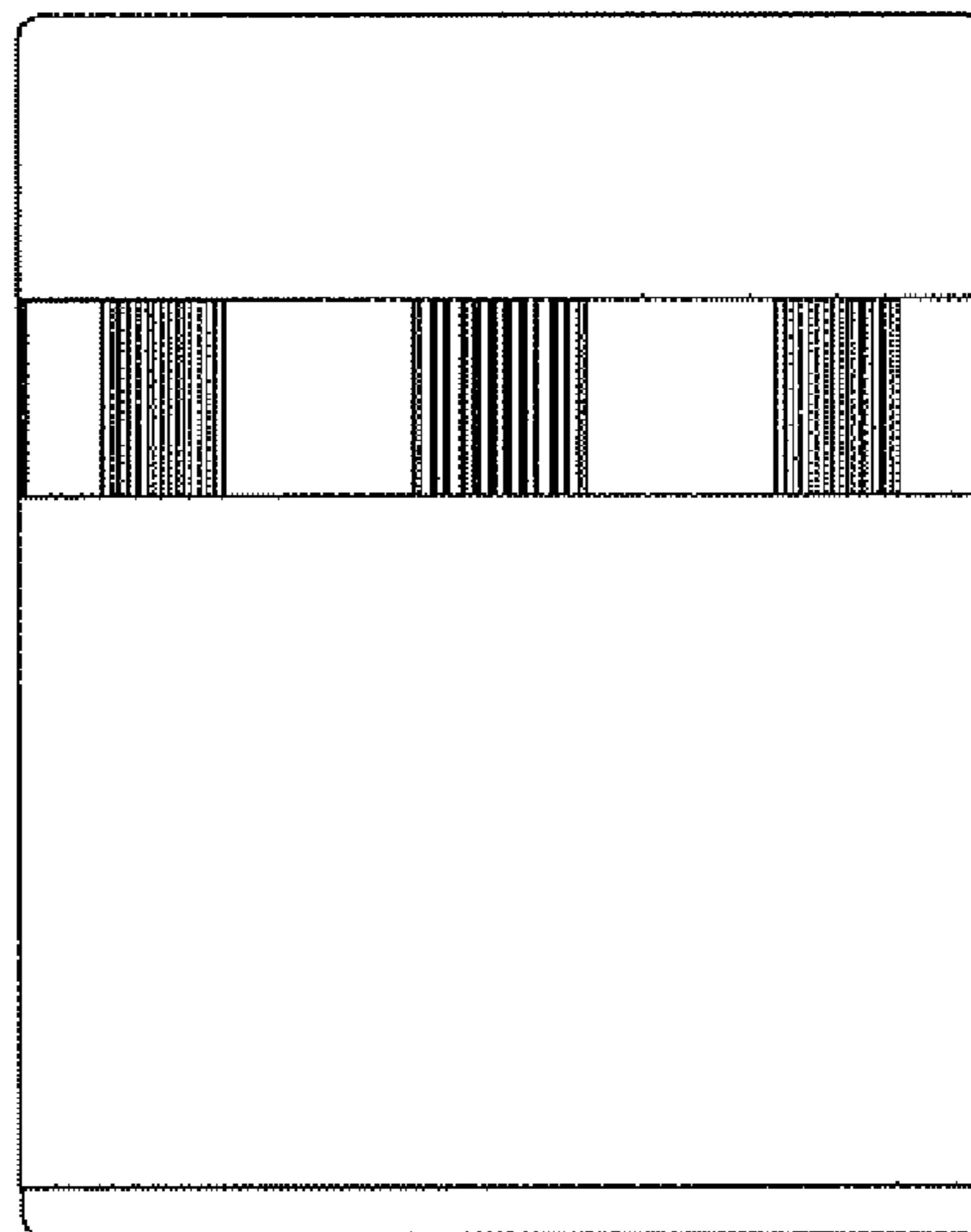


FIG.5

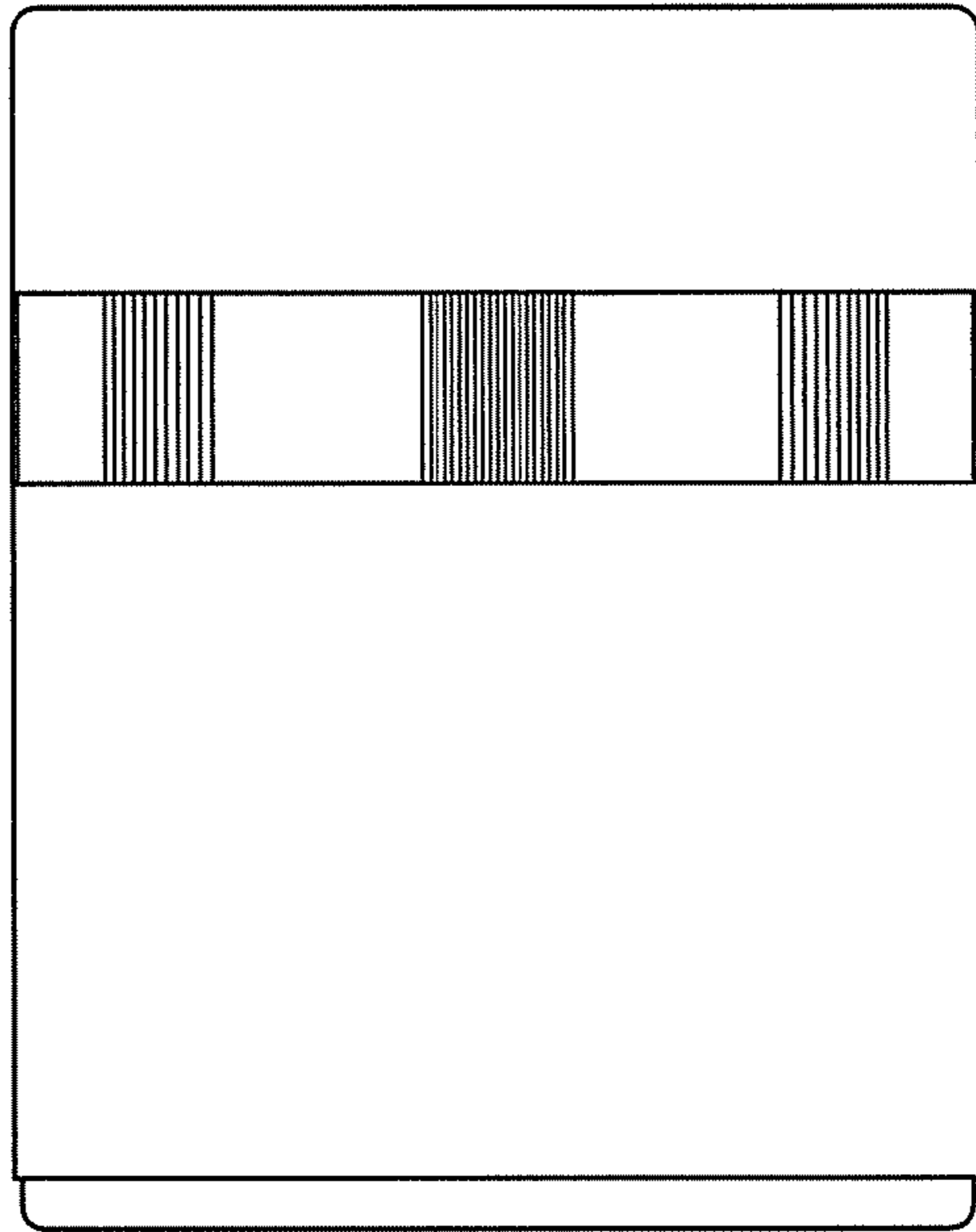


FIG.6

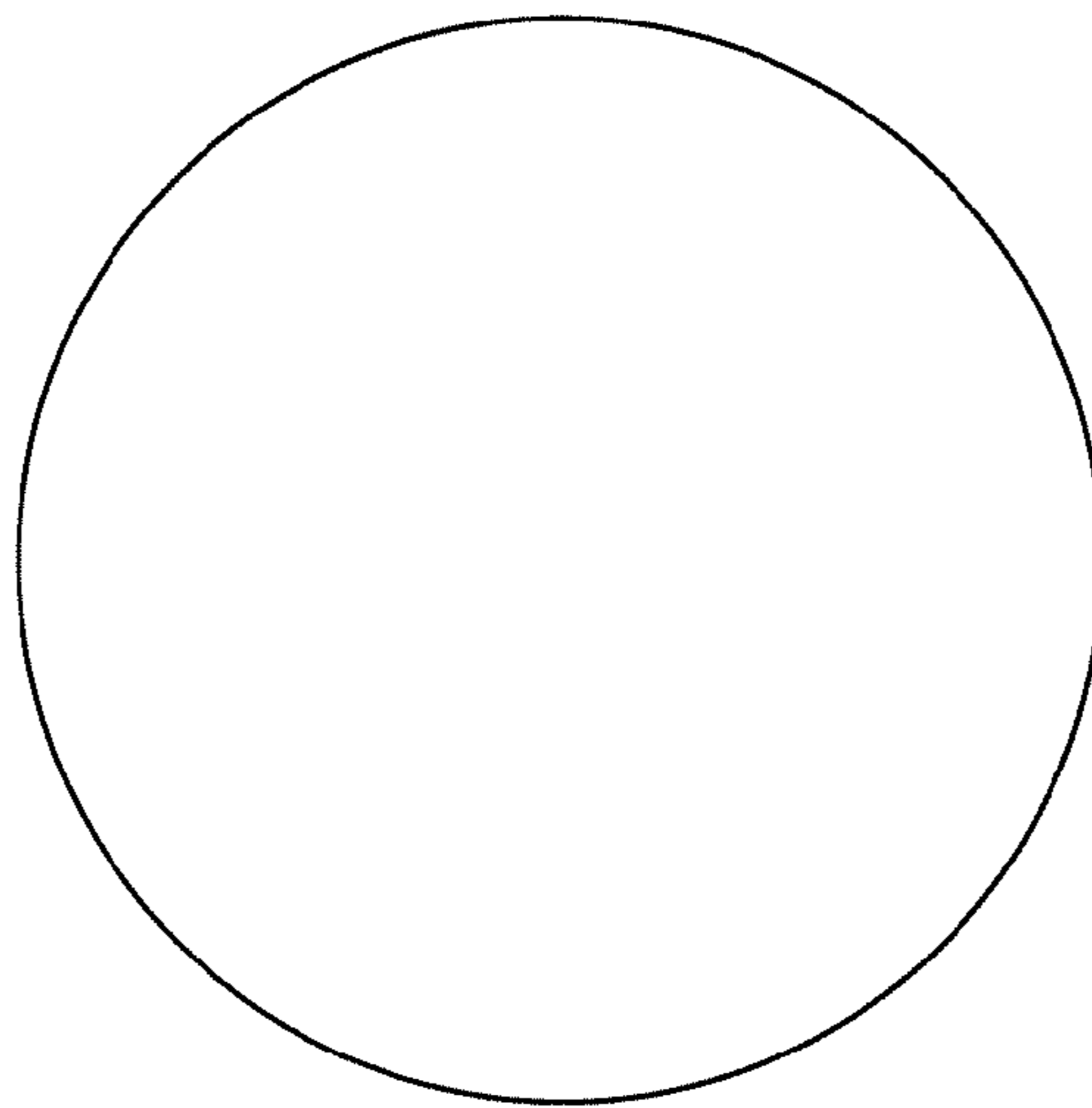


FIG.7

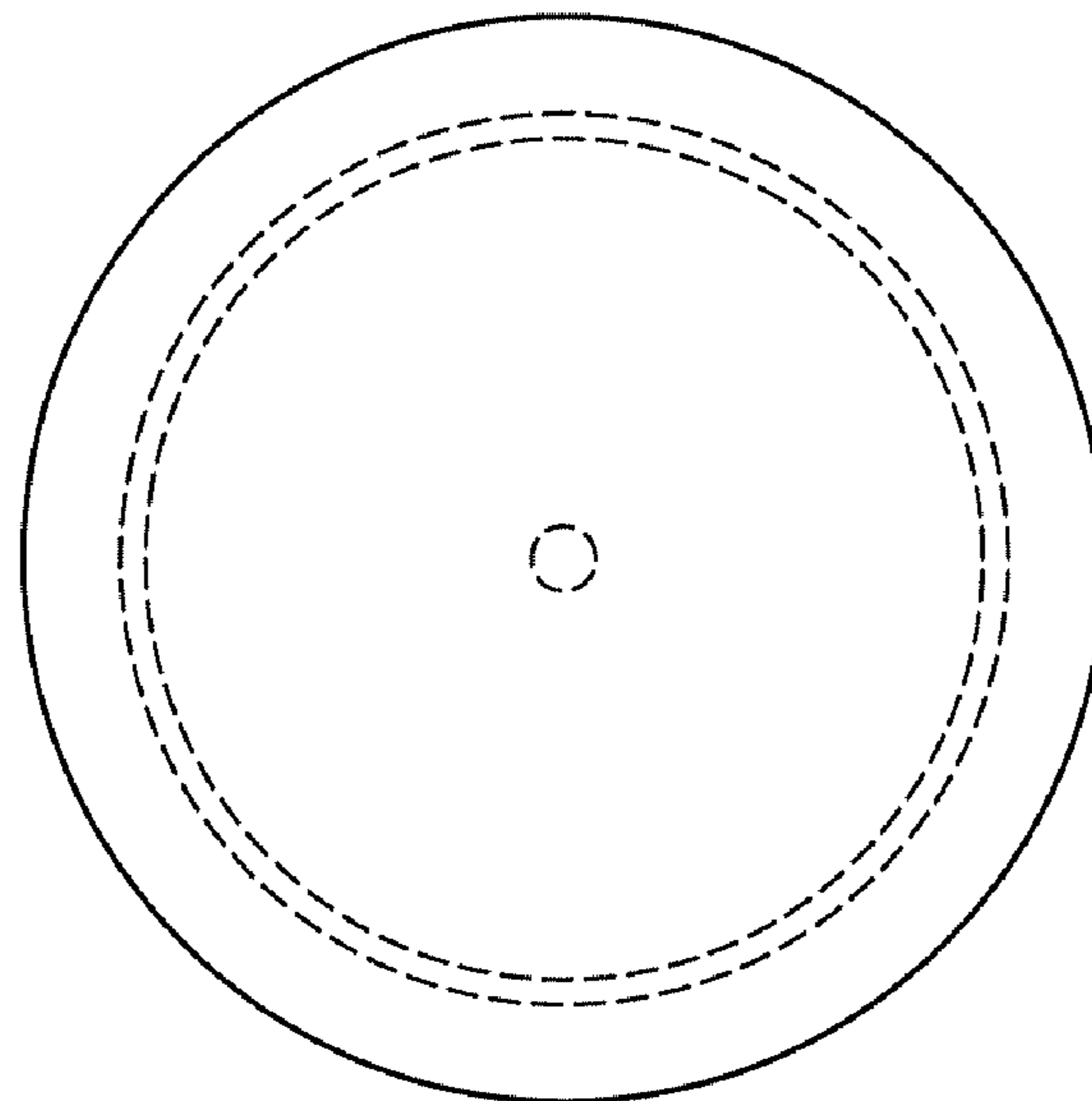


FIG.8

