



US00D628070S

(12) **United States Design Patent**
Ma et al.

(10) **Patent No.:** **US D628,070 S**
(45) **Date of Patent:** **** Nov. 30, 2010**

(54) **PACKING CONTAINER**

(75) Inventors: **Jun Ma**, Shenzhen (CN); **Qian Li**,
Shenzhen (CN); **Xin-Yue He**, Shenzhen
(CN); **Wan-Ling Shih**, Taipei Hsien
(TW)

(73) Assignee: **Hon Hai Precision Industry Co., Ltd.**,
Tu-Cheng, Taipei Hsien (TW)

(**) Term: **14 Years**

(21) Appl. No.: **29/343,841**

(22) Filed: **Sep. 21, 2009**

(30) **Foreign Application Priority Data**

Apr. 16, 2009 (CN) 2009 3 0303180

(51) **LOC (9) Cl.** **09-07**

(52) **U.S. Cl.** **D9/456**

(58) **Field of Classification Search** D9/761,
D9/759, 756, 708, 709, 702, 456, 455, 454,
D9/453, 445, 443, 436, 435, 434; 53/412;
248/146; 229/120; 222/109; 220/4.23; 219/439;
215/305; 206/529, 427; D3/304, 295
See application file for complete search history.

(56) **References Cited**

U.S. PATENT DOCUMENTS

D124,414 S *	12/1940	Shepard	D9/456
D228,446 S *	9/1973	Paone	D9/456
D231,421 S *	4/1974	Spydevold	D9/456
D234,752 S *	4/1975	Paone	D9/456
D235,737 S *	7/1975	Paone	D9/456
D240,117 S *	6/1976	Skamo	D9/456
D240,199 S *	6/1976	Perfect	D9/456
D242,291 S *	11/1976	Girding	D24/226
D244,580 S *	6/1977	Keough	D9/456
D244,581 S *	6/1977	Keough	D9/456

4,034,908 A *	7/1977	Forbes et al.	229/120.08
D247,739 S *	4/1978	Paone et al.	D9/737
D259,998 S *	7/1981	Wilkerson	D9/424
D259,999 S *	7/1981	Wilkerson	D9/424
D260,612 S *	9/1981	Wilkerson	D9/424
D260,613 S *	9/1981	Wilkerson	D9/424
D275,366 S *	9/1984	Maxwell	D9/759
D339,983 S *	10/1993	Breton et al.	D9/456
D400,441 S *	11/1998	Warren	D9/456
D492,195 S *	6/2004	Shabaz	D9/737
D510,704 S *	10/2005	Koizumi	D9/456
D516,907 S *	3/2006	Tada	D9/424
D523,338 S *	6/2006	Hoge et al.	D9/456
D587,110 S *	2/2009	Kronshage et al.	D9/759
D613,418 S *	4/2010	Ryan et al.	D24/229

OTHER PUBLICATIONS

Anthony Wt Moore; Recycled Materials; Hong Kong Packaging;
Feb. 2003; p. 28; vol. 2; Hong Kong Trade Development Council;
Hong Kong (See entire document).

* cited by examiner

Primary Examiner—Susan Bennett Hattan

(74) *Attorney, Agent, or Firm*—Frank R. Niranjana

(57) **CLAIM**

The ornamental design for packing container, as shown.

DESCRIPTION

FIG. 1 is a perspective view of a packing container showing
my design;

FIG. 2 is a front elevational view thereof;

FIG. 3 is a rear elevational view thereof;

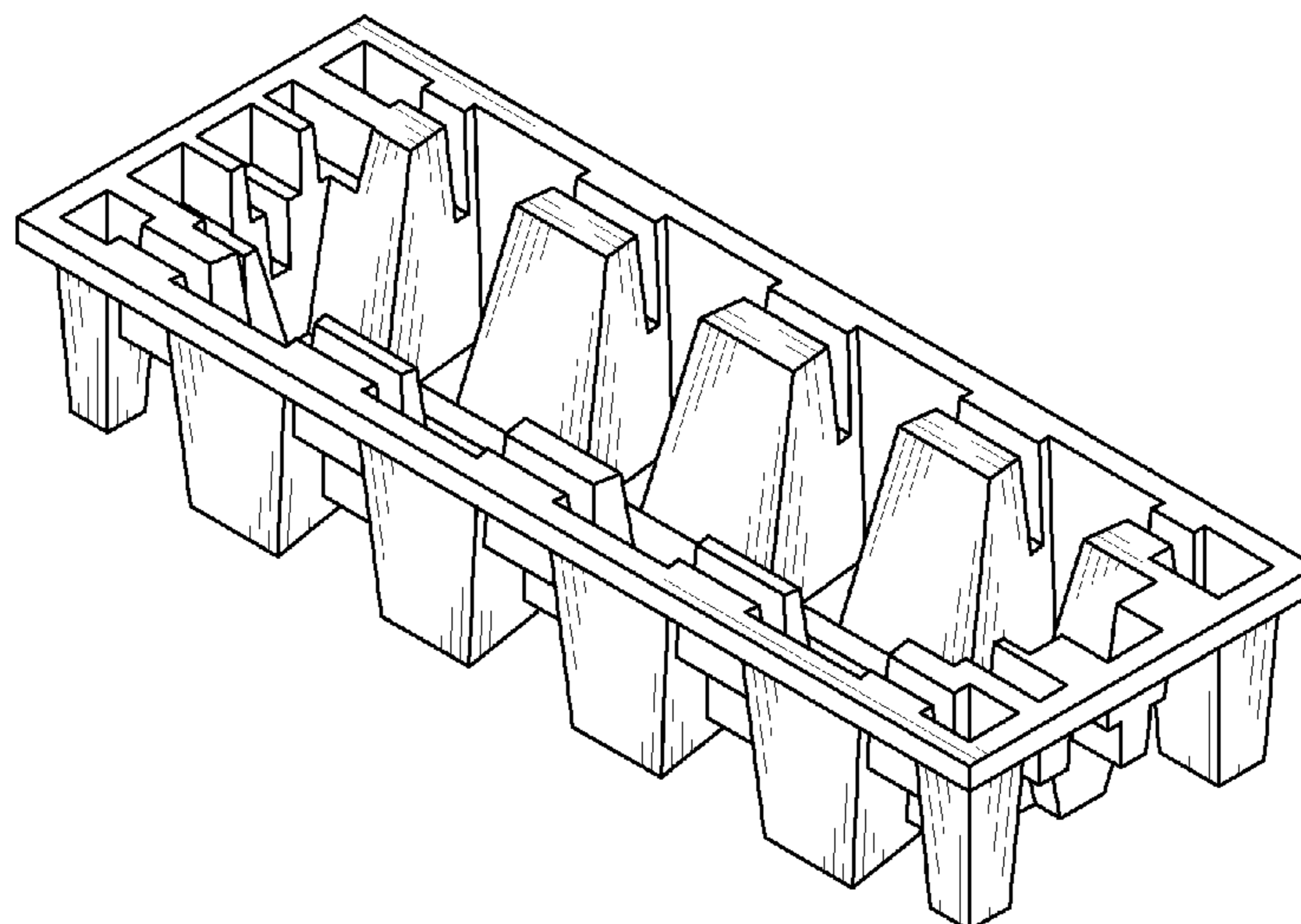
FIG. 4 is a left side, elevational view thereof;

FIG. 5 is a right side, elevational view thereof;

FIG. 6 is a top plan view thereof; and,

FIG. 7 is a bottom plan view thereof.

1 Claim, 7 Drawing Sheets



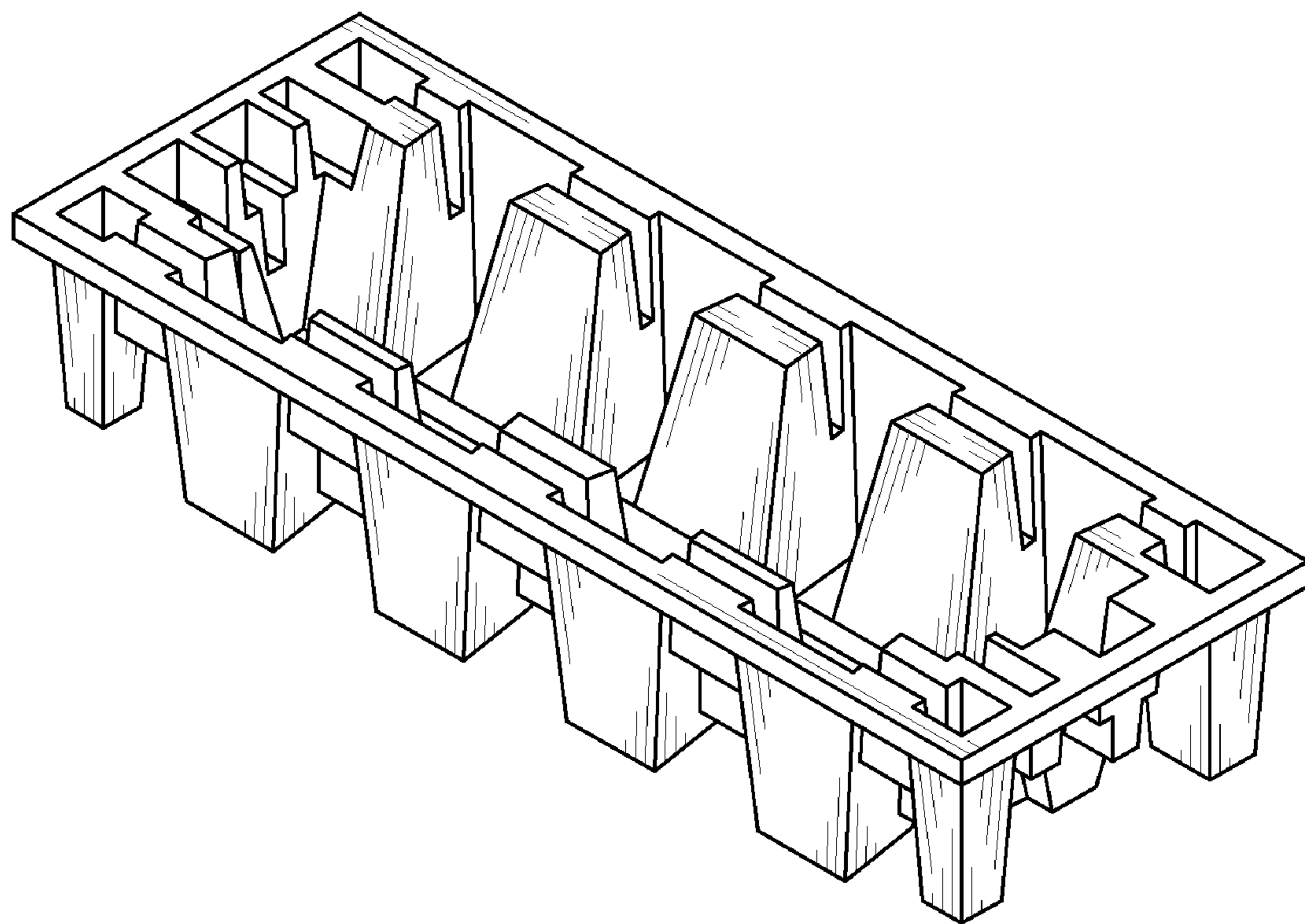


FIG. 1

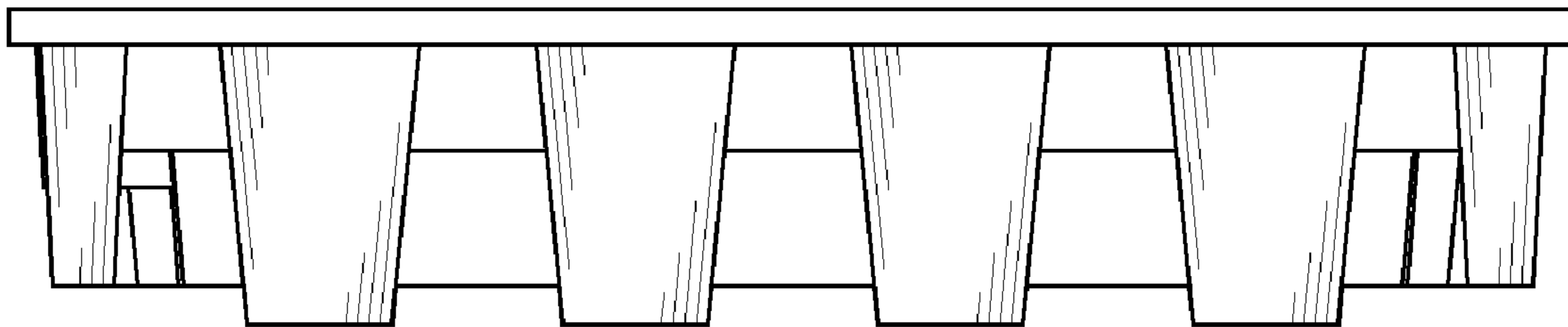


FIG. 2

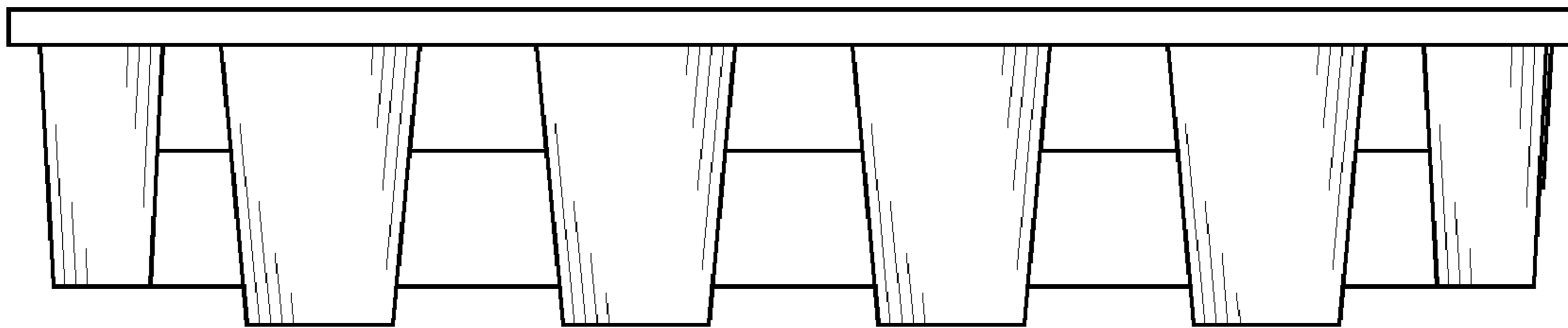


FIG. 3

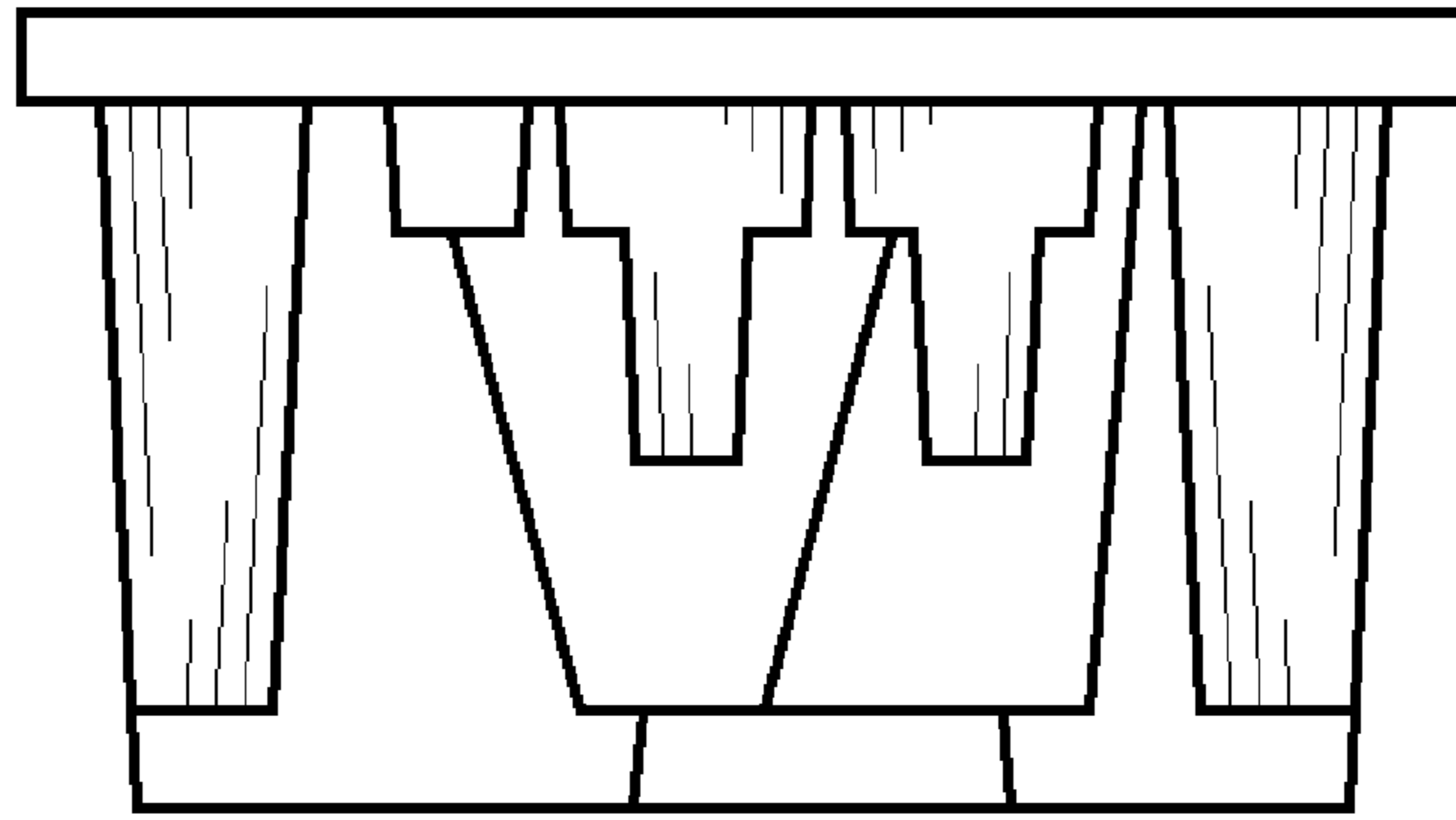


FIG. 4

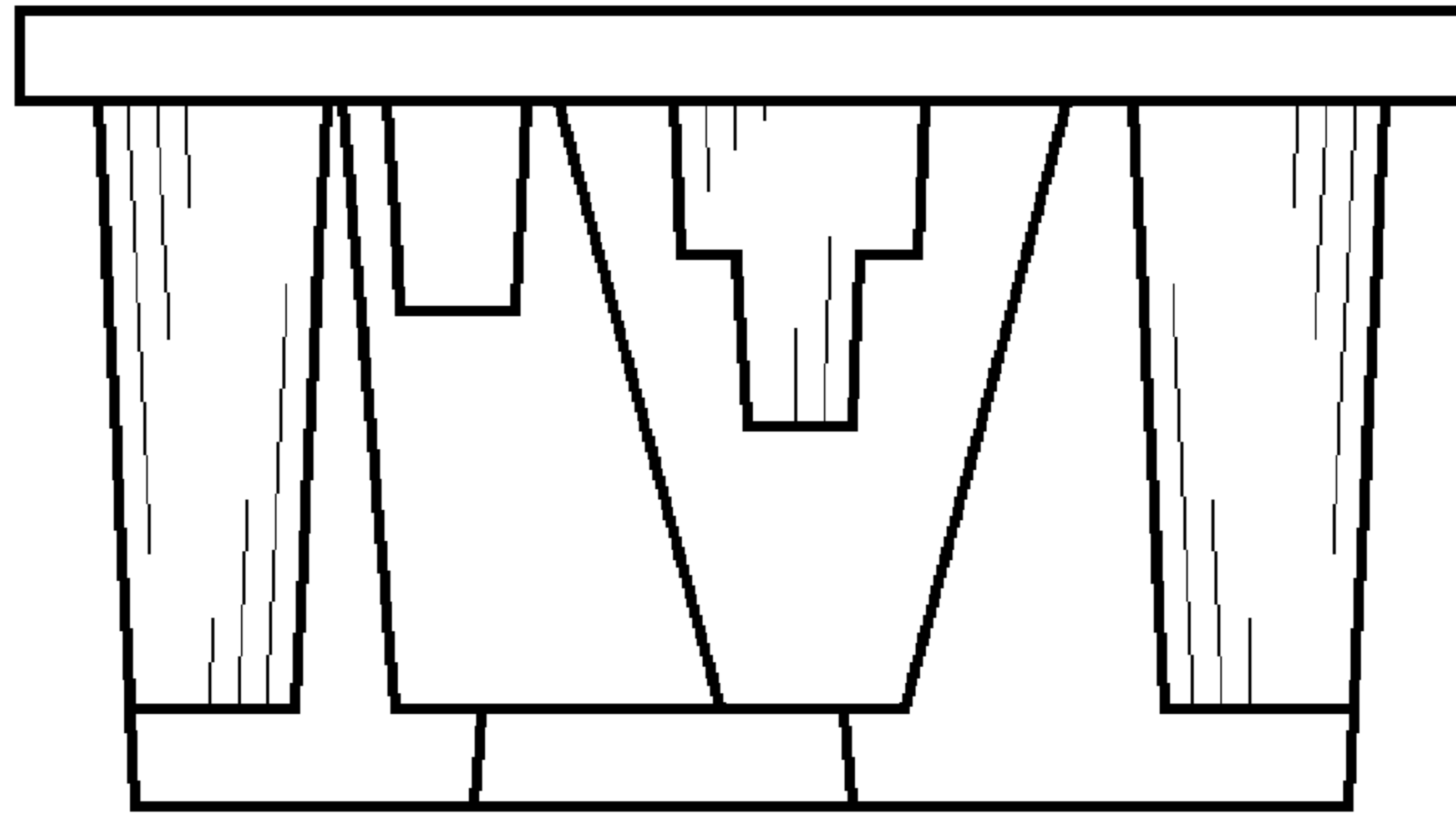


FIG. 5

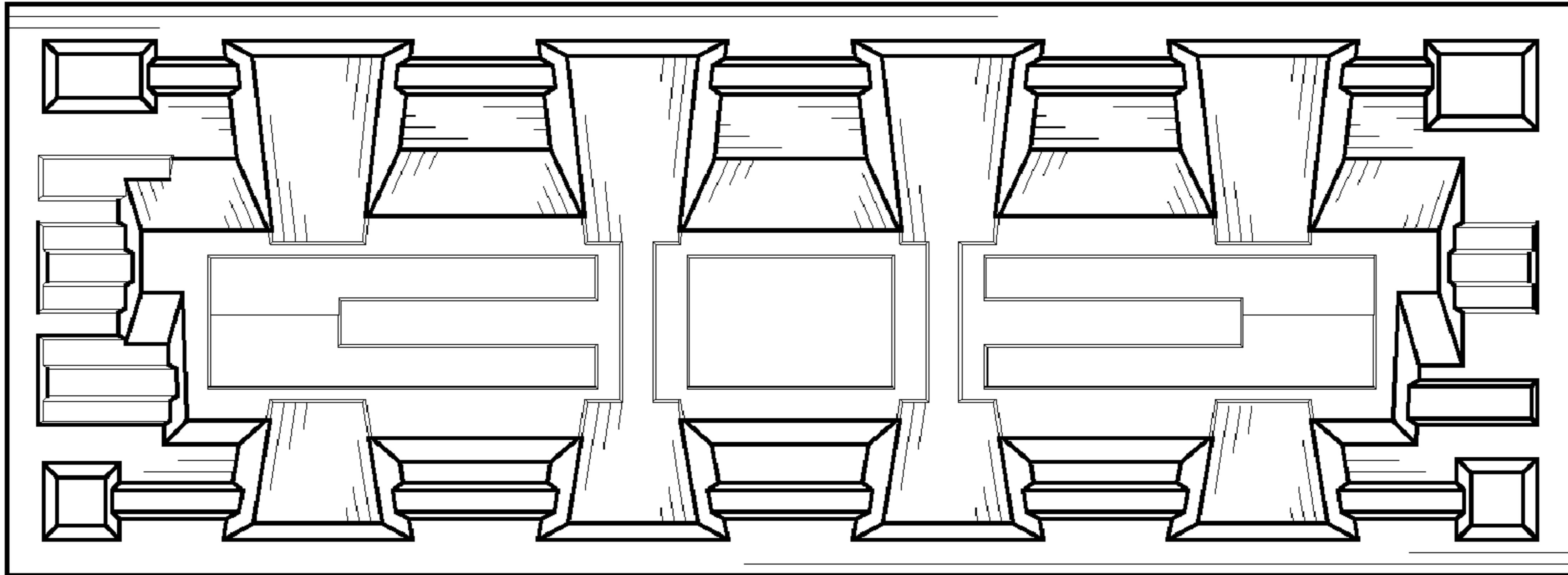


FIG. 6

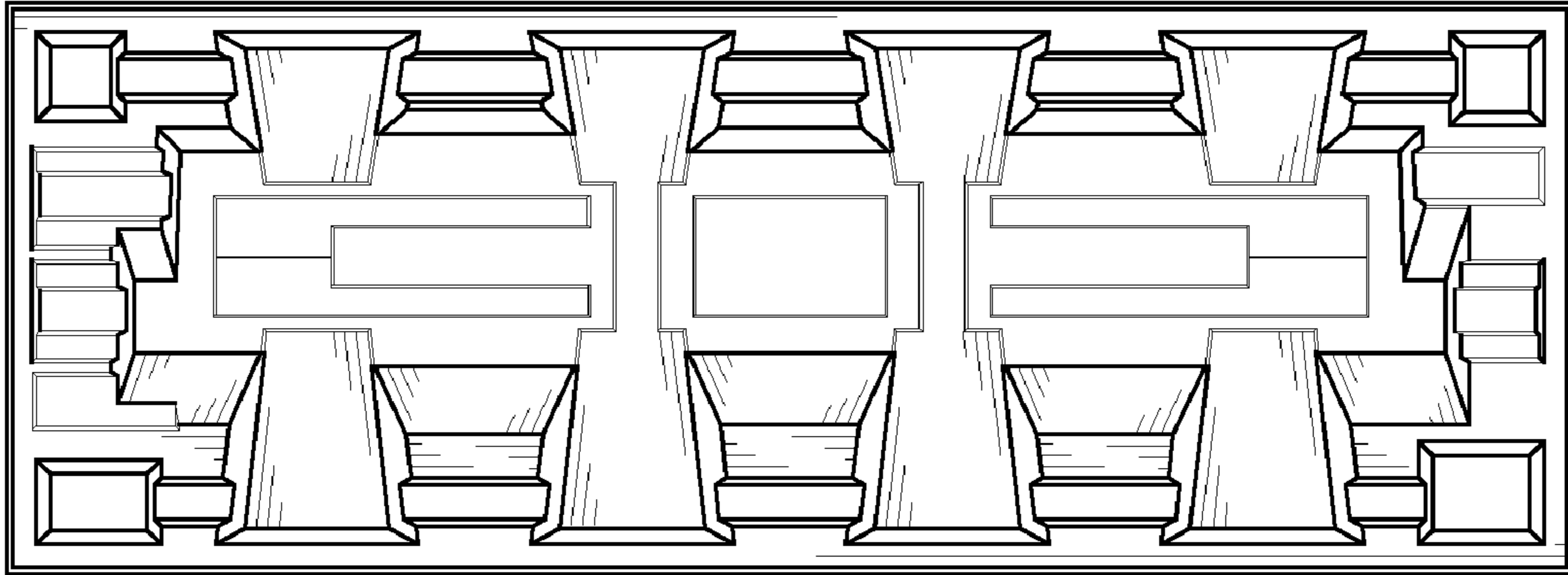


FIG. 7