



US00D628066S

(12) **United States Design Patent**  
**Costa Quintas**

(10) **Patent No.:** **US D628,066 S**

(45) **Date of Patent:** **\*\* Nov. 30, 2010**

(54) **SPRAY DEVICE**

(75) **Inventor:** **Lluis Costa Quintas**, Grandview, MO  
(US)

(73) **Assignee:** **Meadwestvaco Calmar, Inc.**,  
Grandview, MO (US)

(\*\*) **Term:** **14 Years**

(21) **Appl. No.:** **29/341,068**

(22) **Filed:** **Jul. 30, 2009**

(51) **LOC (9) Cl.** ..... **09-07**

(52) **U.S. Cl.** ..... **D9/448**

(58) **Field of Classification Search** ..... D9/456,  
D9/455, 448, 447, 445, 438, 434, 763, 772;  
D7/605, 387, 213; D3/211, 207; D23/226;  
40/307; 239/333, 331; 222/635, 631, 566,  
222/321.9, 321.8, 321.7, 320, 251; 220/915,  
220/269, 268, 258.5

See application file for complete search history.

(56) **References Cited**

**U.S. PATENT DOCUMENTS**

|              |         |                      |        |
|--------------|---------|----------------------|--------|
| D381,909 S * | 8/1997  | Sayers et al. ....   | D9/447 |
| D381,910 S * | 8/1997  | Sayers et al. ....   | D9/447 |
| D385,792 S * | 11/1997 | Sayers et al. ....   | D9/448 |
| D413,514 S * | 9/1999  | Pericard et al. .... | D9/448 |
| D487,016 S * | 2/2004  | DeBiasse et al. .... | D9/445 |
| D532,301 S * | 11/2006 | Moretti .....        | D9/448 |

|                   |        |                        |            |
|-------------------|--------|------------------------|------------|
| D541,654 S *      | 5/2007 | Pietrowski et al. .... | D9/448     |
| D561,024 S *      | 2/2008 | Altonen et al. ....    | D9/448     |
| D567,651 S *      | 4/2008 | Bloc .....             | D9/448     |
| D575,153 S *      | 8/2008 | Caroen et al. ....     | D9/448     |
| D609,571 S *      | 2/2010 | Butler et al. ....     | D9/504     |
| 2002/0113093 A1 * | 8/2002 | De Laforcade .....     | 222/321.9  |
| 2006/0151547 A1 * | 7/2006 | Kolanus .....          | 222/402.13 |

\* cited by examiner

*Primary Examiner*—Susan Bennett Hattan

(74) *Attorney, Agent, or Firm*—MWV Intellectual Property Group

(57) **CLAIM**

I claim the ornamental design for a spray device, as shown and described.

**DESCRIPTION**

FIG. 1 is a front view of a spray device showing my new design;

FIG. 2 is a side view of the spray device shown in FIG. 1;

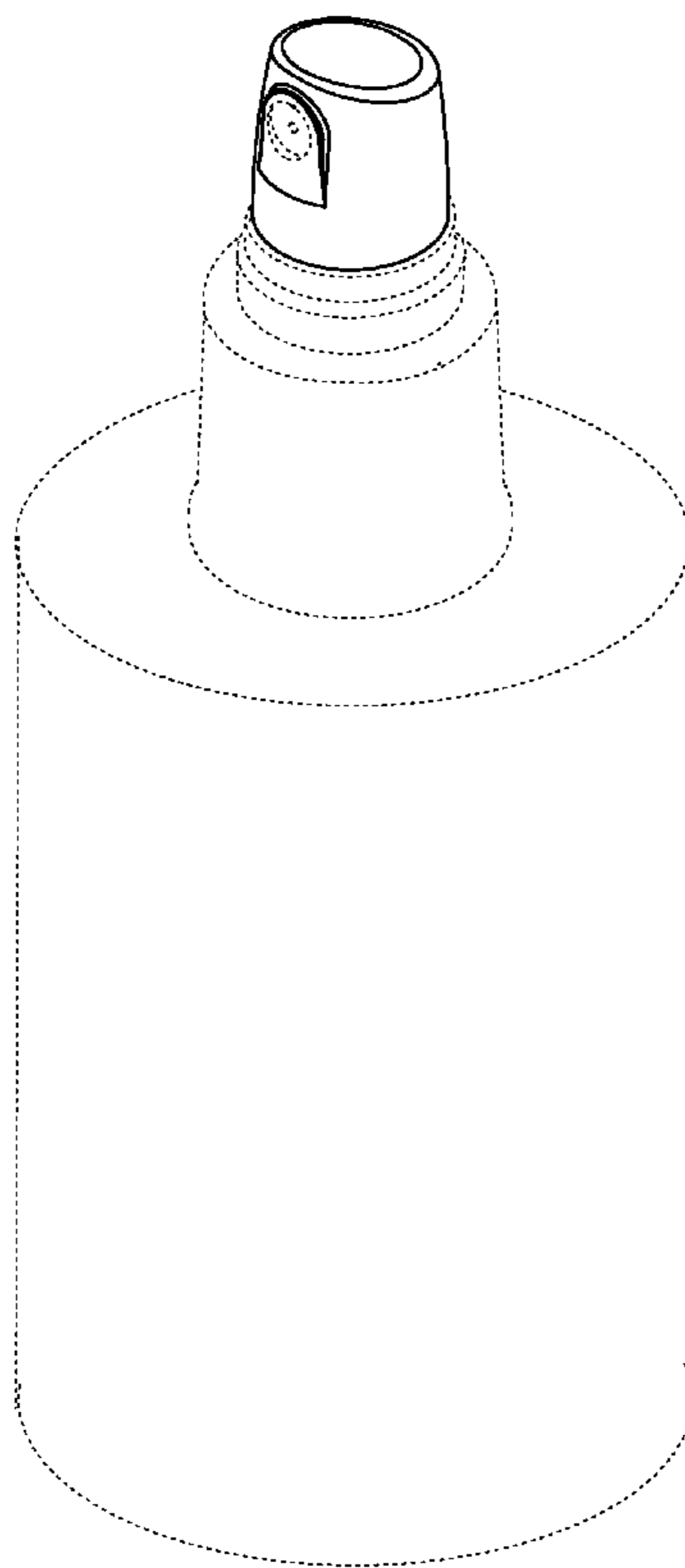
FIG. 3 is a side view of the spray device shown in FIG. 1;

FIG. 4 is a top view of the spray device shown in FIG. 1; and,

FIG. 5 is a perspective view of the spray device shown in FIG. 1.

The broken lines in the drawings depict environmental subject matter only and form no part of the claimed design.

**1 Claim, 3 Drawing Sheets**



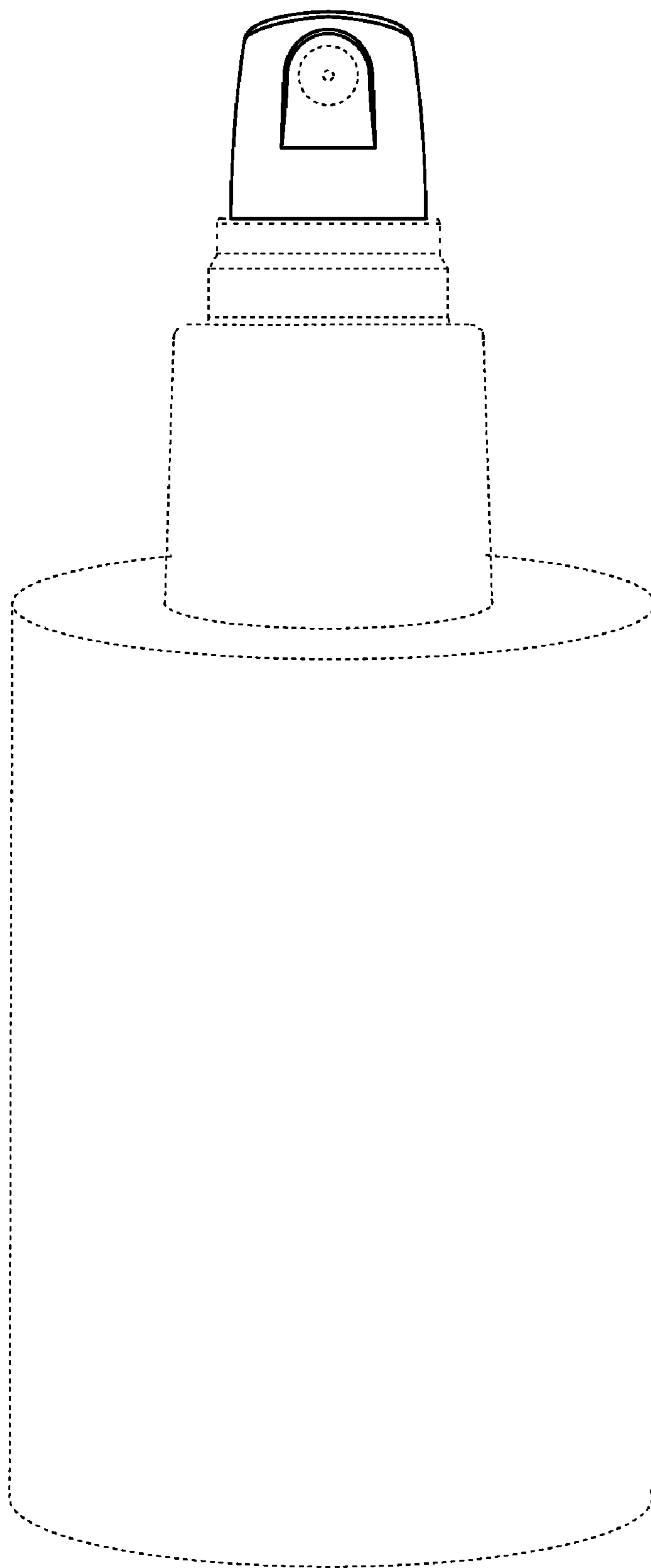


FIG. 1

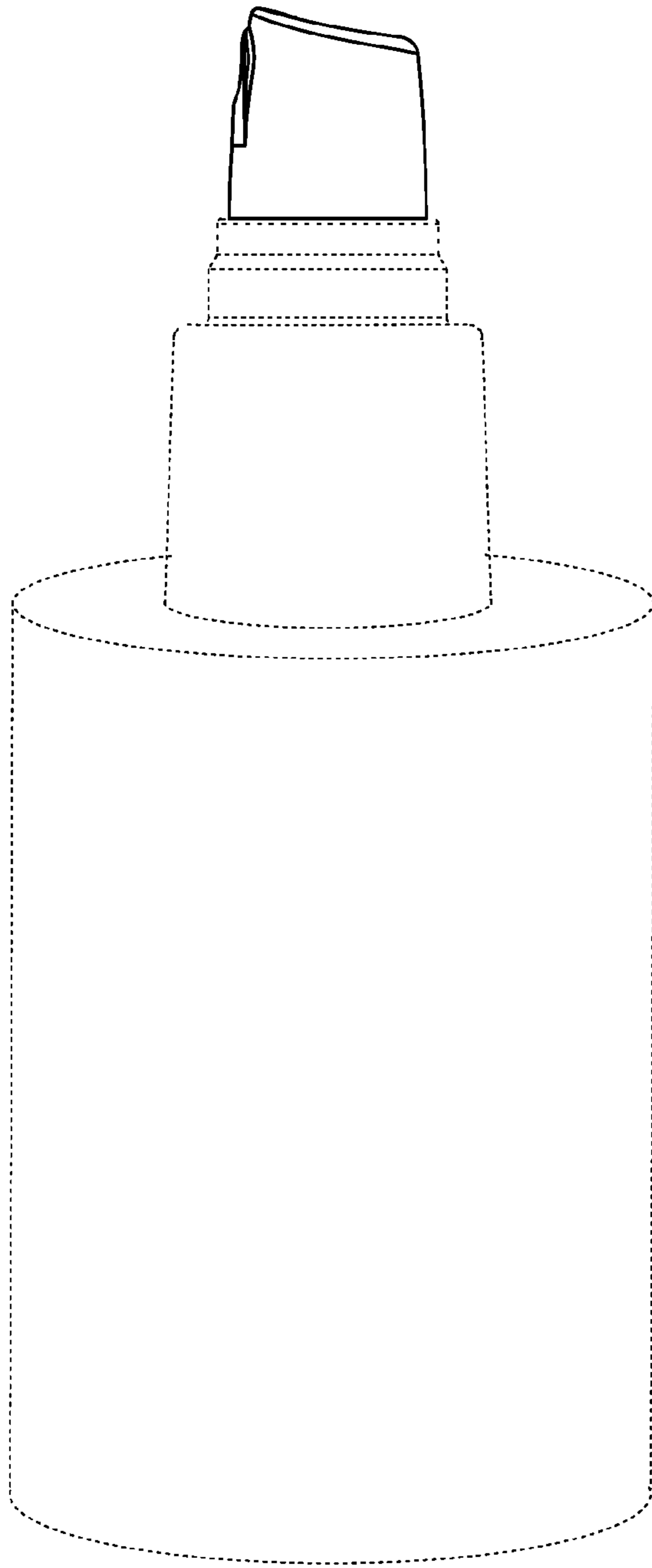


FIG. 2

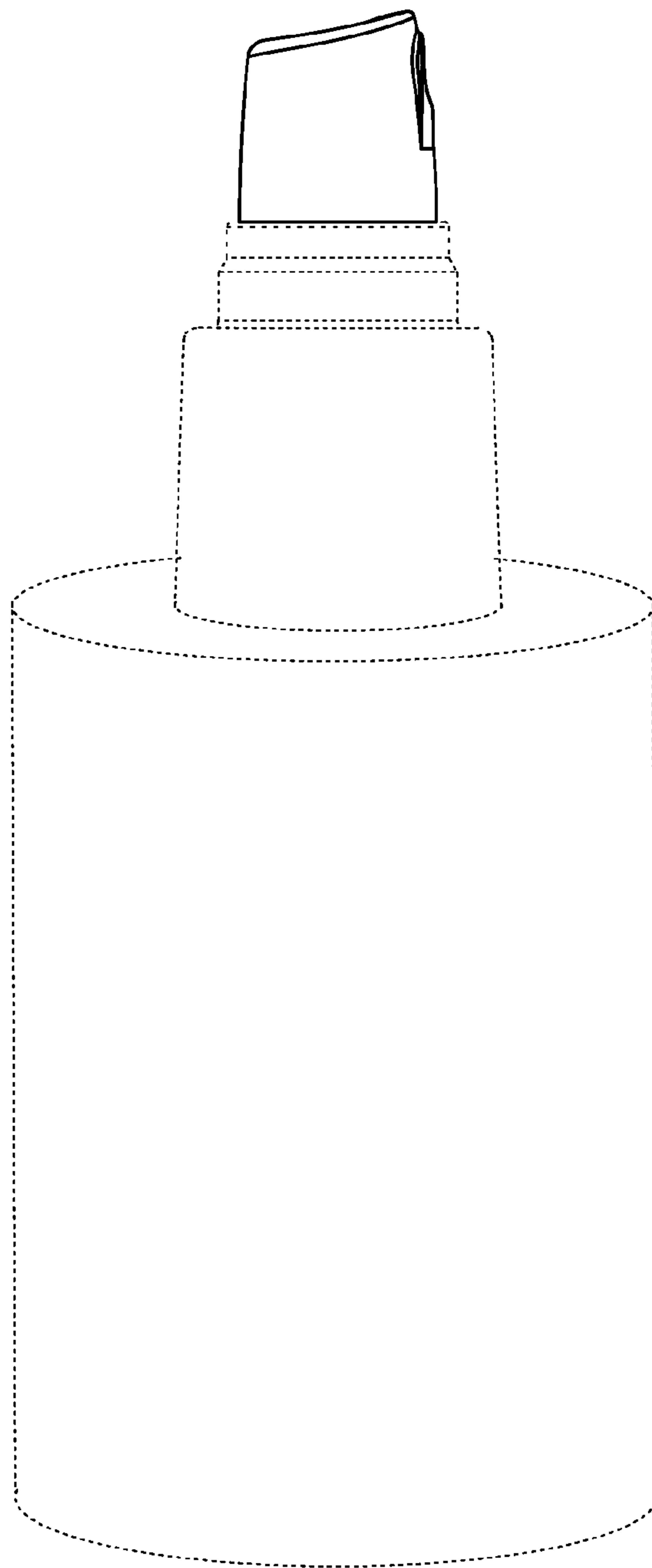


FIG. 3

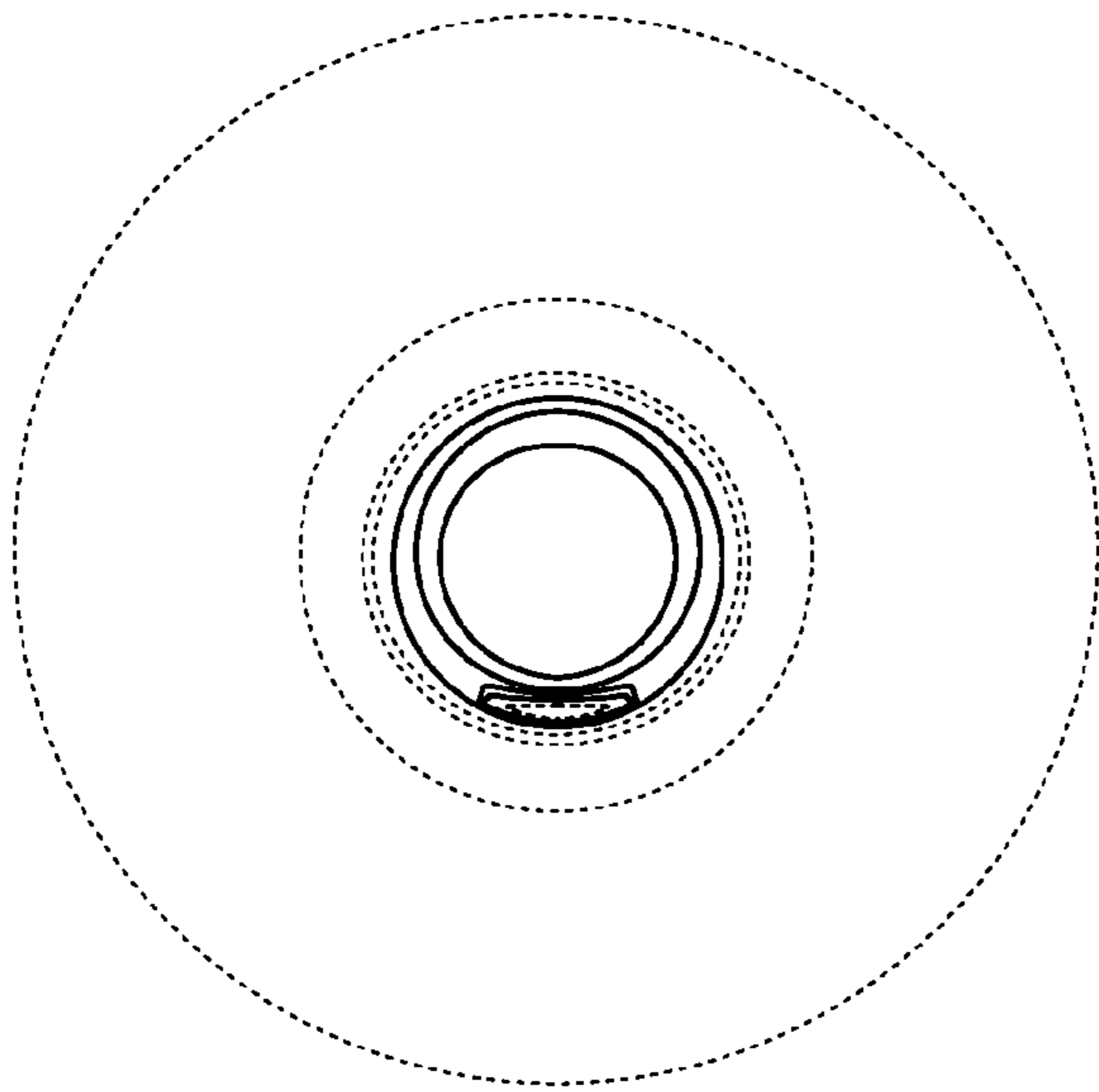


FIG. 4

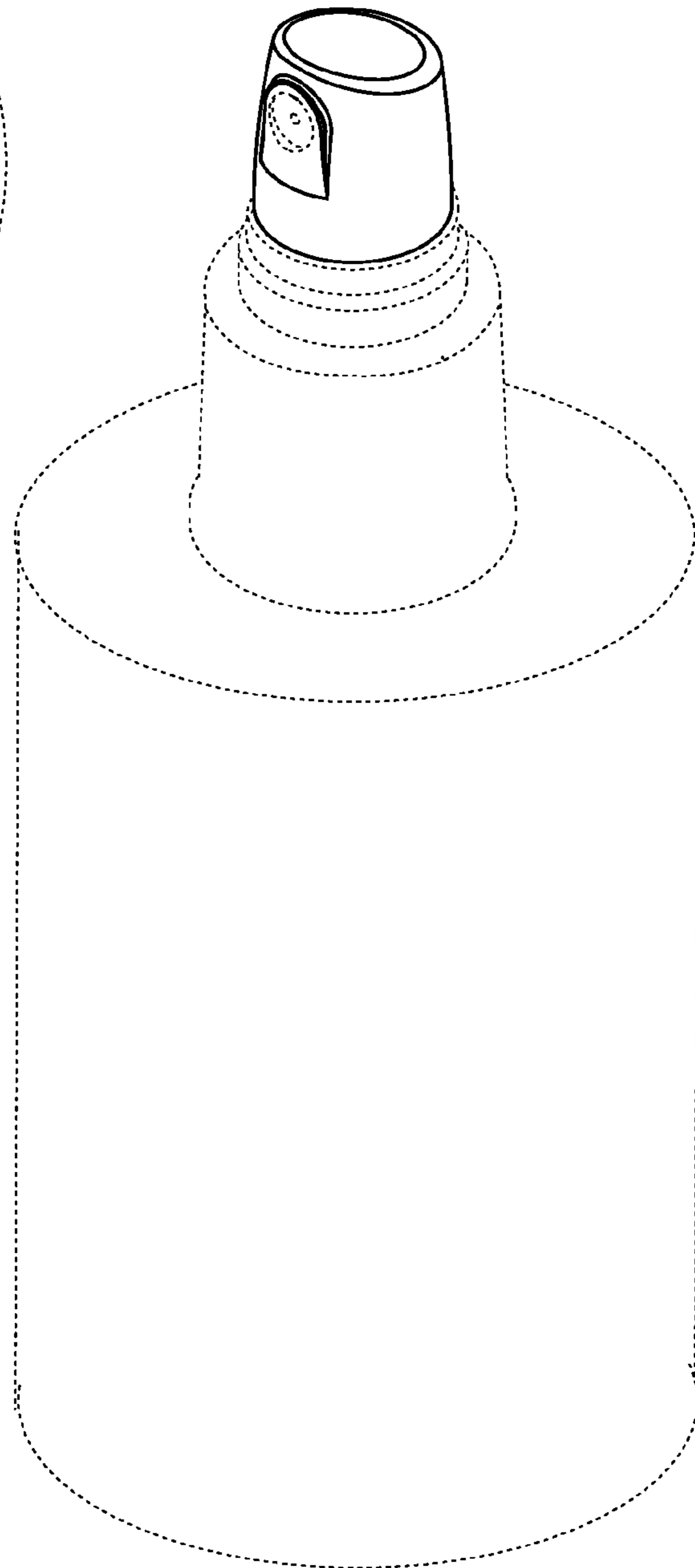


FIG. 5