



US00D628065S

(12) **United States Design Patent**  
**Russell**

(10) **Patent No.:** **US D628,065 S**

(45) **Date of Patent:** **\*\* Nov. 30, 2010**

(54) **MEDICATION PACKAGE**

(75) Inventor: **Beth Waggoner Russell**, Goshen, OH  
(US)

(73) Assignee: **The Procter & Gamble Company**,  
Cincinnati, OH (US)

(\*\*) Term: **14 Years**

(21) Appl. No.: **29/356,320**

(22) Filed: **Feb. 24, 2010**

(51) **LOC (9) Cl.** ..... **09-07**

(52) **U.S. Cl.** ..... **D9/434**

(58) **Field of Classification Search** ..... D9/624,  
D9/457, 456, 447, 446, 435, 434, 433, 432,  
D9/425, 424, 418, 415, 414; D7/392, 392.1;  
D3/201; D20/28, 22; 229/313, 225, 222,  
229/212, 209, 208, 149; 206/728

See application file for complete search history.

(56) **References Cited**

**U.S. PATENT DOCUMENTS**

3,966,113	A *	6/1976	Tipton	.....	229/149
D250,748	S *	1/1979	Leger	.....	D9/420
D265,551	S *	7/1982	Colby et al.	.....	D9/415
D265,889	S *	8/1982	Lawrence et al.	.....	D9/418
D325,518	S *	4/1992	Matkovich	.....	D9/414
D327,004	S *	6/1992	Nadel	.....	D9/522
D380,964	S *	7/1997	Miller et al.	.....	D9/415
D388,951	S *	1/1998	Mori	.....	D3/201
D396,250	S *	7/1998	Mogensen	.....	D20/22
D399,742	S *	10/1998	Brauner et al.	.....	D9/434

D421,568	S *	3/2000	Ferguson et al.	.....	D9/414
D445,332	S *	7/2001	Breiding et al.	.....	D9/416
D465,416	S *	11/2002	Dzwill et al.	.....	D9/432
D479,464	S *	9/2003	Kopecky	.....	D9/432
D484,046	S *	12/2003	Kopecky	.....	D9/432
D503,087	S *	3/2005	Dzwill et al.	.....	D9/416
D512,304	S *	12/2005	Aldridge	.....	D9/422
D540,668	S *	4/2007	Aldridge	.....	D9/434
D582,268	S *	12/2008	Zanaletti	.....	D9/432
D583,660	S *	12/2008	Steiger et al.	.....	D9/432
D587,996	S *	3/2009	Steiger et al.	.....	D9/432
D594,323	S *	6/2009	Friedman et al.	.....	D9/423
2006/0027483	A1 *	2/2006	Aldridge	.....	206/738

\* cited by examiner

*Primary Examiner*—Susan Bennett Hattan

(74) *Attorney, Agent, or Firm*—Cynthia L. Clay; Kelly L. McDow

(57) **CLAIM**

The ornamental design for a medication package, as shown and described.

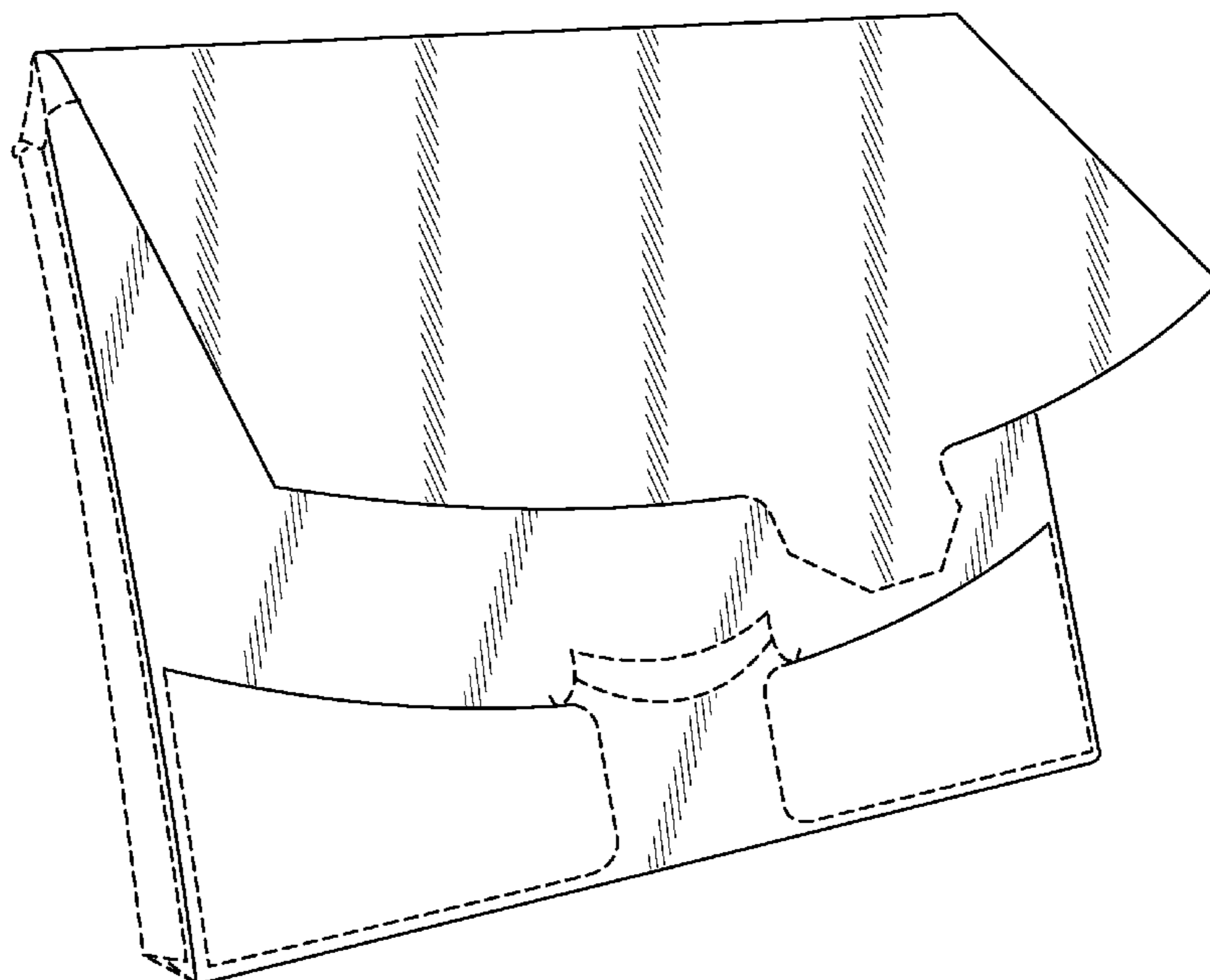
**DESCRIPTION**

FIG. 1 is a perspective view of a medication package illustrating our my new design with a flap in a partially open position; and,

FIG. 2 is a front side elevational view of the design of FIG. 1 with the flap in a sealed position.

The broken lines represent portions of the structure that form no part of the claim.

**1 Claim, 2 Drawing Sheets**



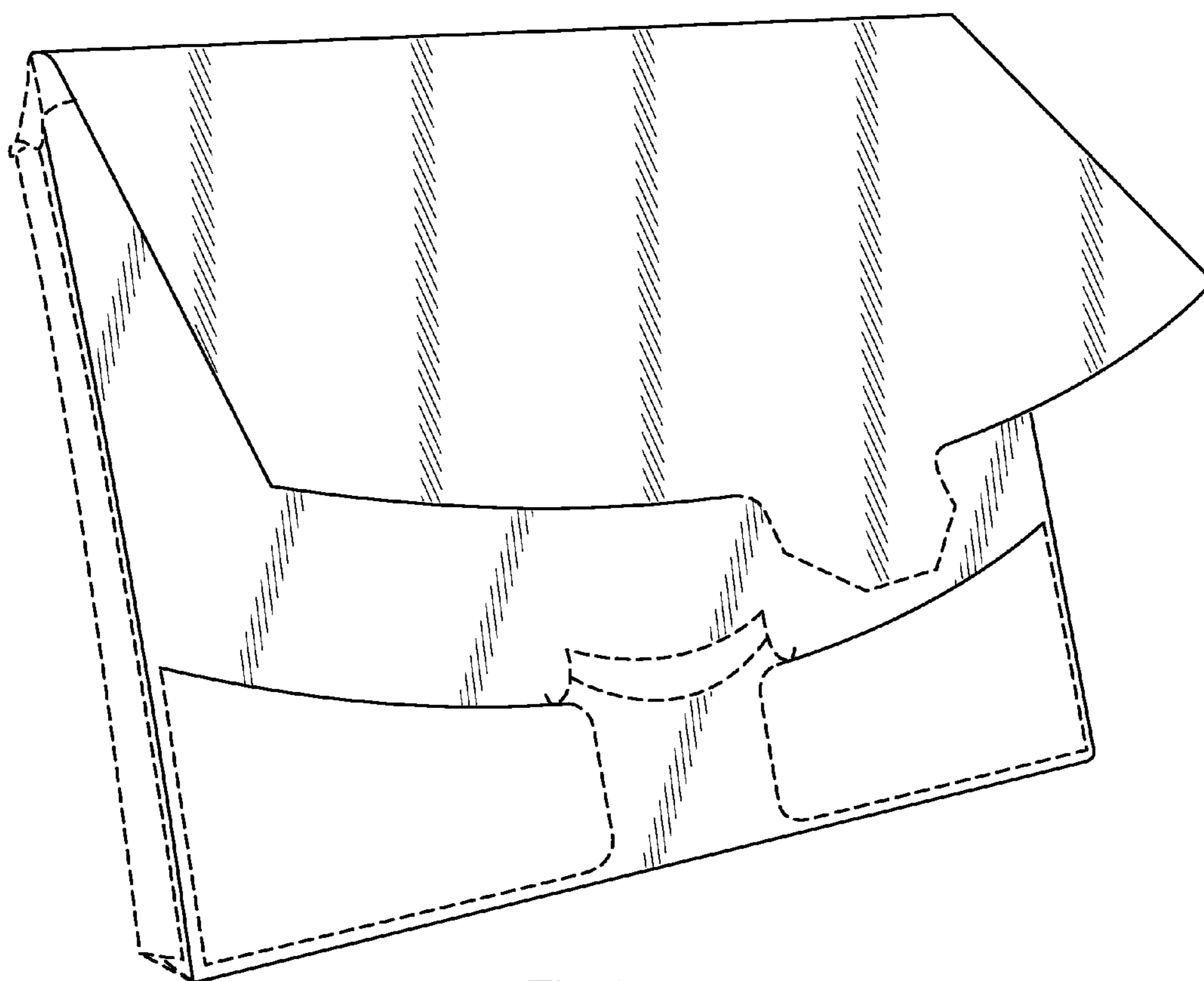


Fig. 1

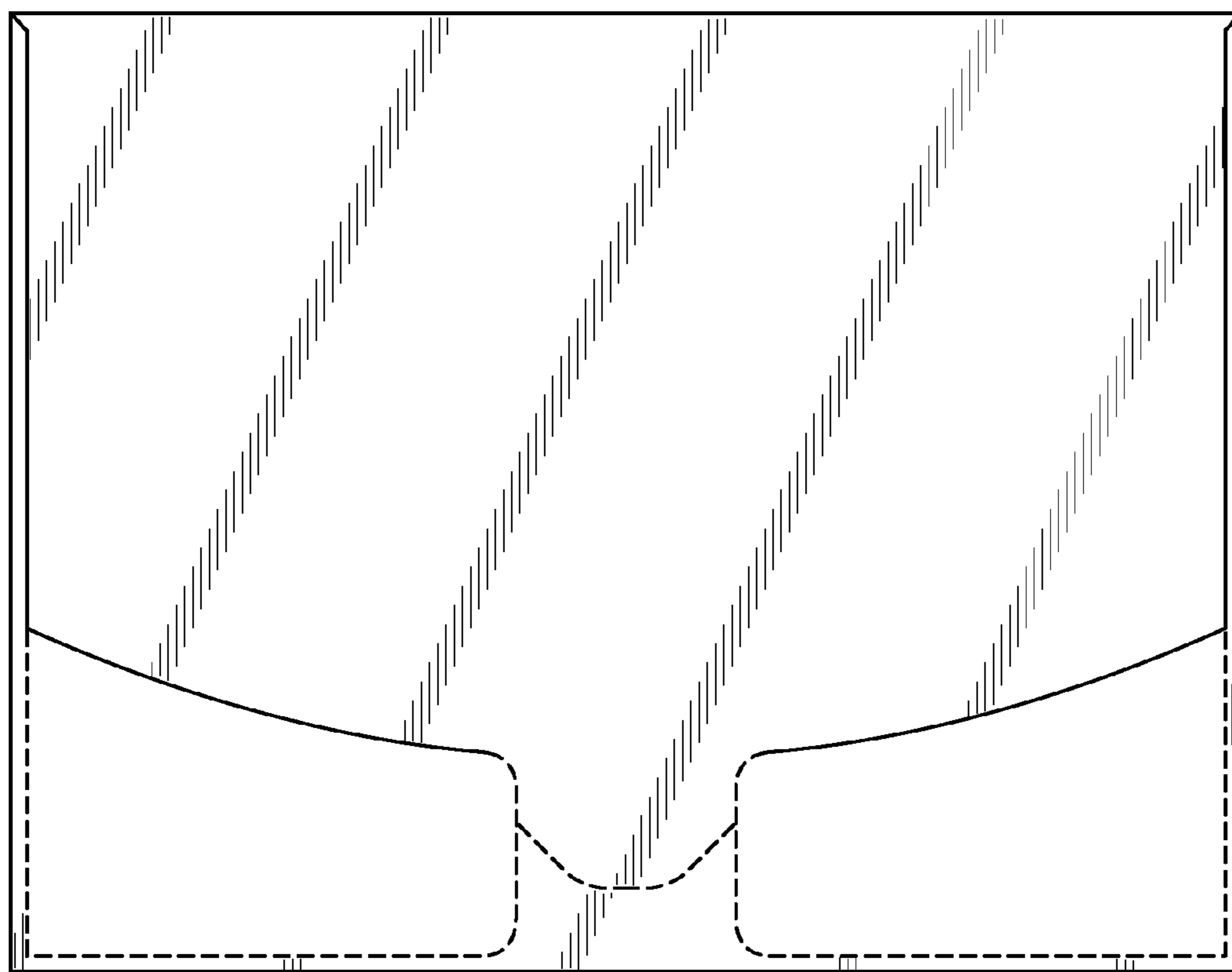


Fig. 2