



US00D628064S

(12) **United States Design Patent**  
**Hyp et al.**

(10) **Patent No.:** **US D628,064 S**

(45) **Date of Patent:** **\*\* \*Nov. 30, 2010**

- (54) **PACKAGING FOR A HOSE REEL**
- (75) Inventors: **Eric Daniel Hyp**, Harrisburg, PA (US);  
**Stephen D. Hatcher**, Camp Hill, PA  
(US); **Robert James Stein**,  
Mechanicsburg, PA (US)
- (73) Assignee: **Ames True Temper, Inc.**, Camp Hill, PA  
(US)

D446,113	S	*	8/2001	Steinfels	.....	D9/418
6,460,703	B1	*	10/2002	Thompson et al.	.....	206/779
D466,804	S	*	12/2002	Solland	.....	D9/418
7,007,799	B2	*	3/2006	Cote	.....	206/409
D543,450	S	*	5/2007	Watzig et al.	.....	D9/418
D543,451	S	*	5/2007	Timmermans et al.	.....	D9/418
D600,547	S	*	9/2009	Cain	.....	D9/418
D610,000	S	*	2/2010	Schantz	.....	D9/418
2004/0094437	A1	*	5/2004	Dailey, III	.....	206/205

- (\*) Notice: This patent is subject to a terminal disclaimer.
- (\*\*) Term: **14 Years**
- (21) Appl. No.: **29/337,473**
- (22) Filed: **May 22, 2009**

\* cited by examiner  
*Primary Examiner*—Robert M Spear  
*Assistant Examiner*—Karen Acker  
 (74) *Attorney, Agent, or Firm*—Eckert Seamans Cherin & Mellott, LLC; David C. Jenkins, Esq.

- (51) **LOC (9) Cl.** ..... **09-03**
- (52) **U.S. Cl.** ..... **D9/432; D9/418**
- (58) **Field of Classification Search** ..... D9/430–433,  
D9/414, 418, 420–424; D3/272; 206/267,  
206/269, 270, 273, 299, 737, 740, 822; 229/100,  
229/101, 101.3, 106, 108–112, 114–117,  
229/117.05–117.09, 117.24–117.26, 221,  
229/222, 227, 902, 939, 941, 942  
See application file for complete search history.

(57) **CLAIM**

The ornamental design for a packaging for a hose reel, as shown and described.

(56) **References Cited**  
U.S. PATENT DOCUMENTS

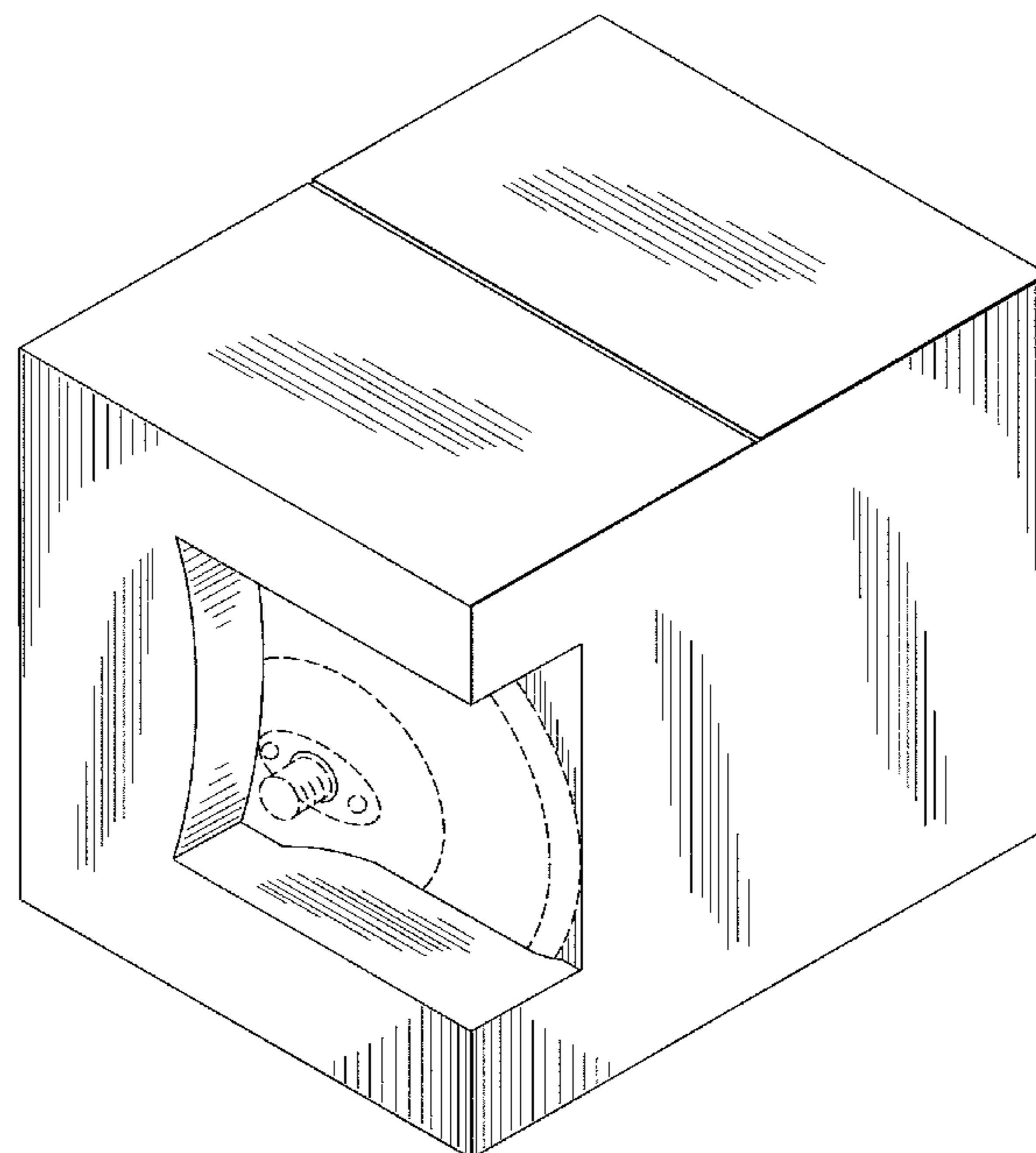
2,700,456	A	*	1/1955	Gillam	.....	206/777
D222,819	S	*	1/1972	Del Corno et al.	.....	D6/632
4,582,198	A	*	4/1986	Ditton	.....	206/395
4,854,474	A	*	8/1989	Murray et al.	.....	220/1.5

**DESCRIPTION**

FIG. 1 is an isometric view of packaging for a hose reel;  
 FIG. 2 is a front side view of packaging for a hose reel;  
 FIG. 3 is a back side view of packaging for a hose reel;  
 FIG. 4 is a left side view of packaging for a hose reel;  
 FIG. 5 is a right side view of packaging for a hose reel;  
 FIG. 6 is a top side view of packaging for a hose reel; and,  
 FIG. 7 is a bottom side view of packaging for a hose reel.

The broken lines in the drawings represent unclaimed environmental subject matter.

**1 Claim, 4 Drawing Sheets**



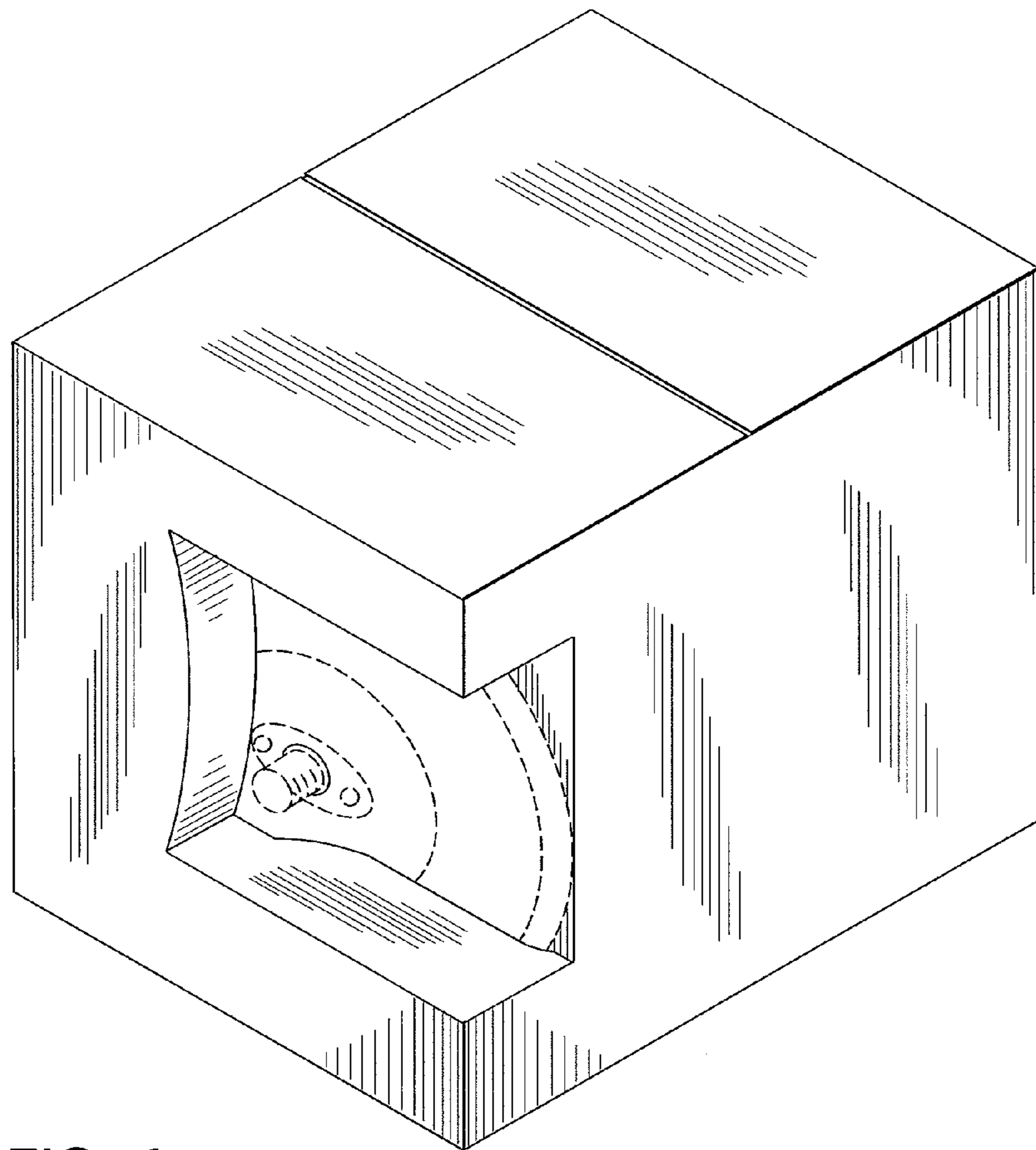


FIG. 1

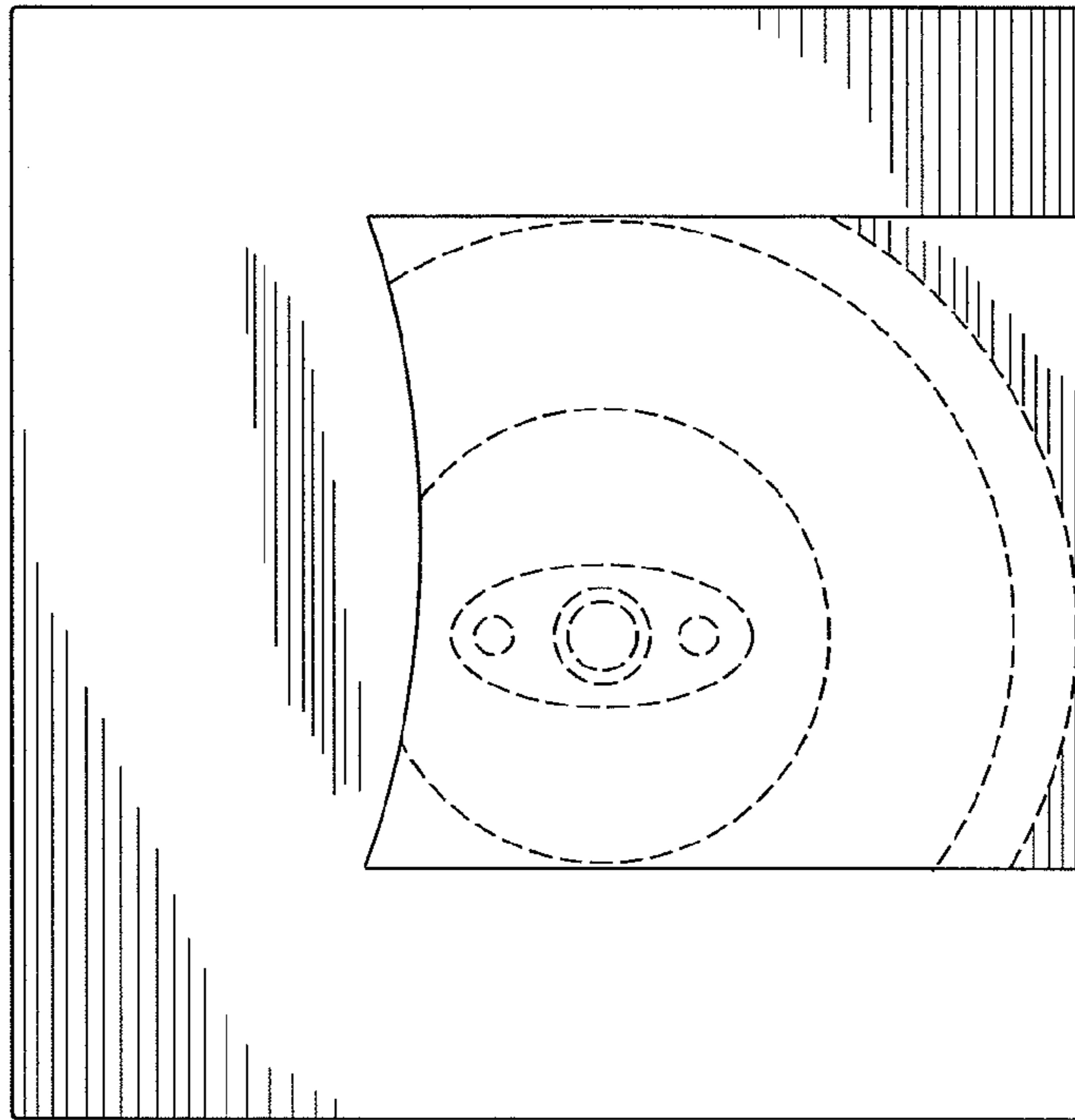


FIG. 2

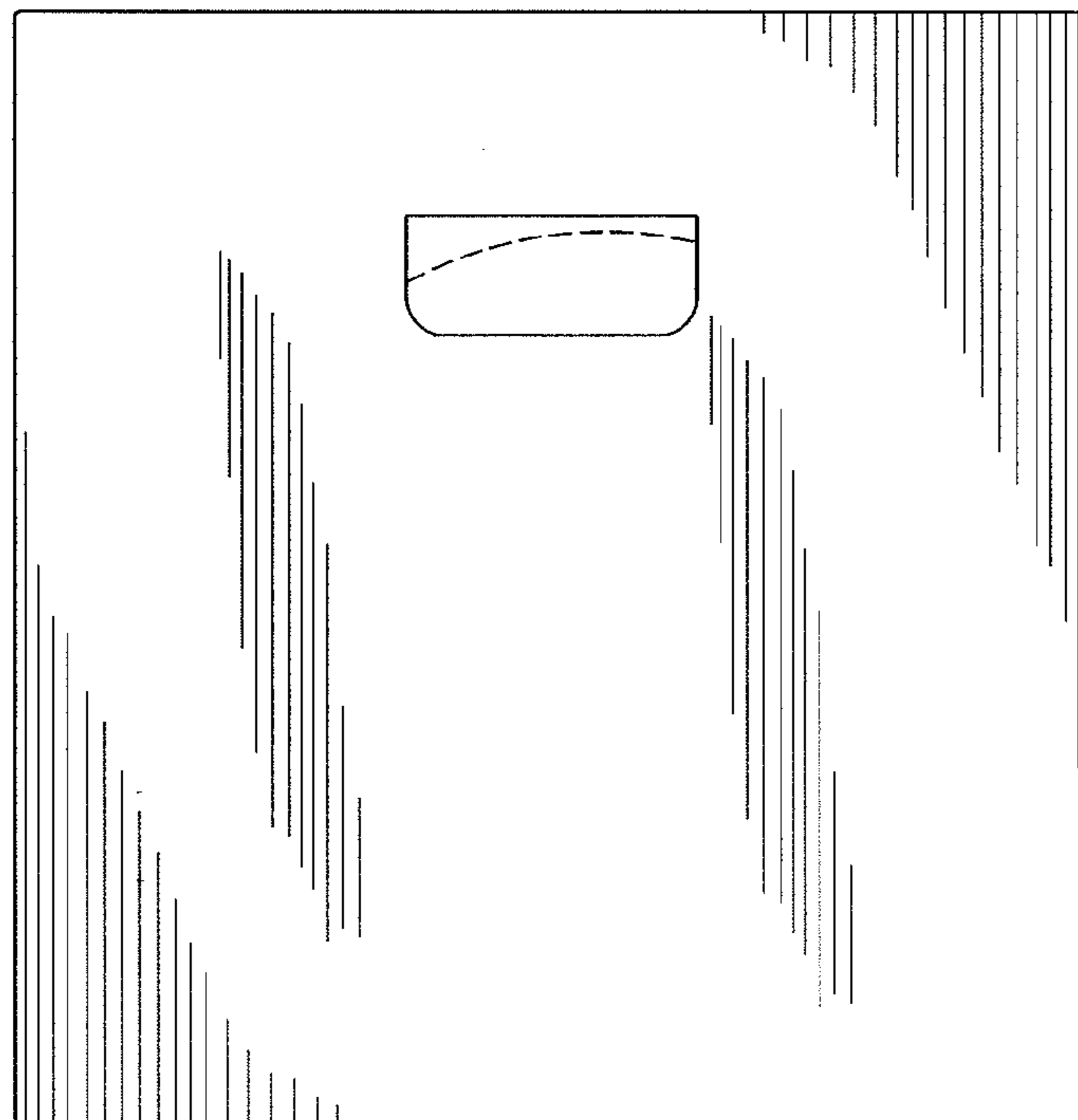


FIG. 3

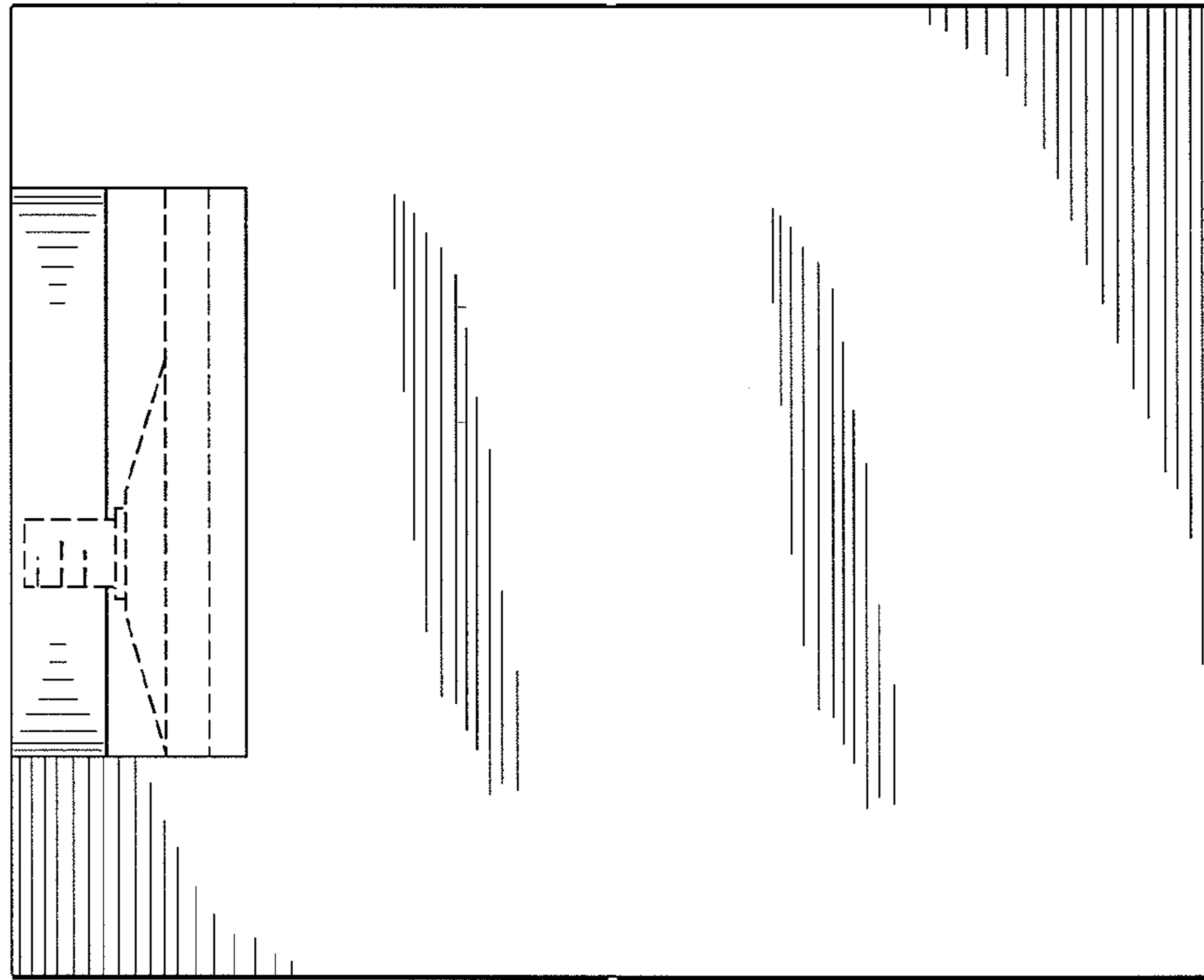


FIG. 4

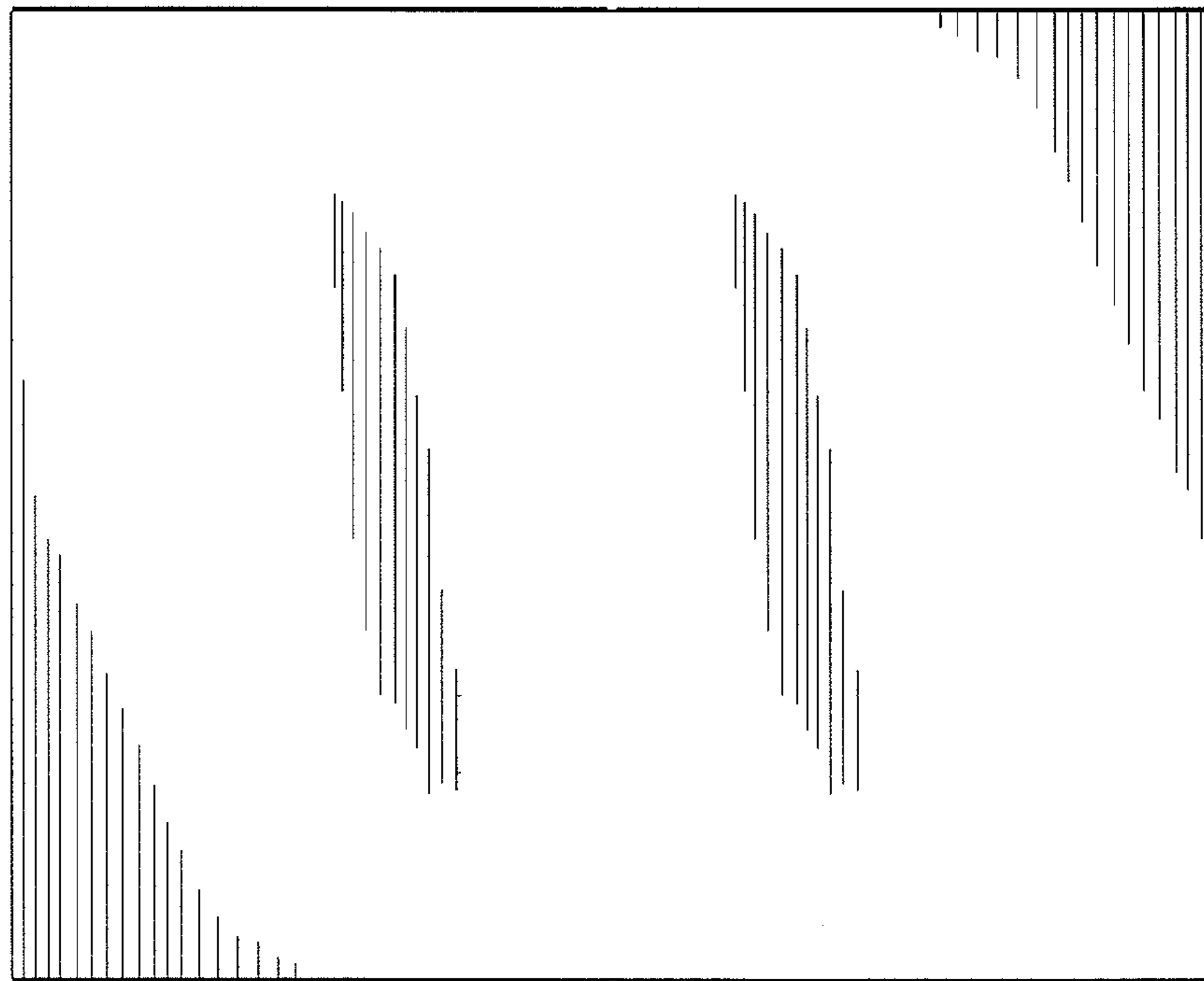


FIG. 5

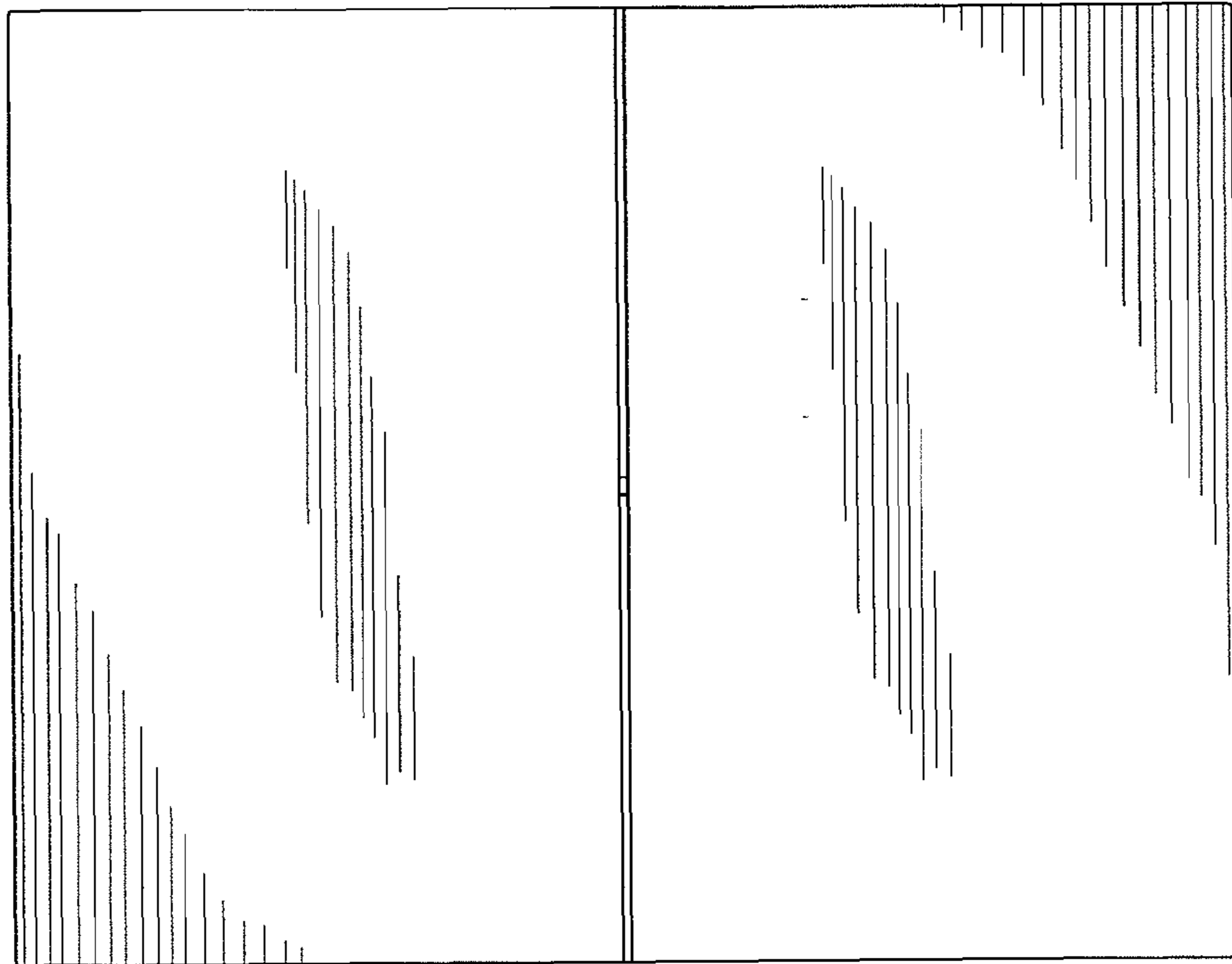


FIG. 6

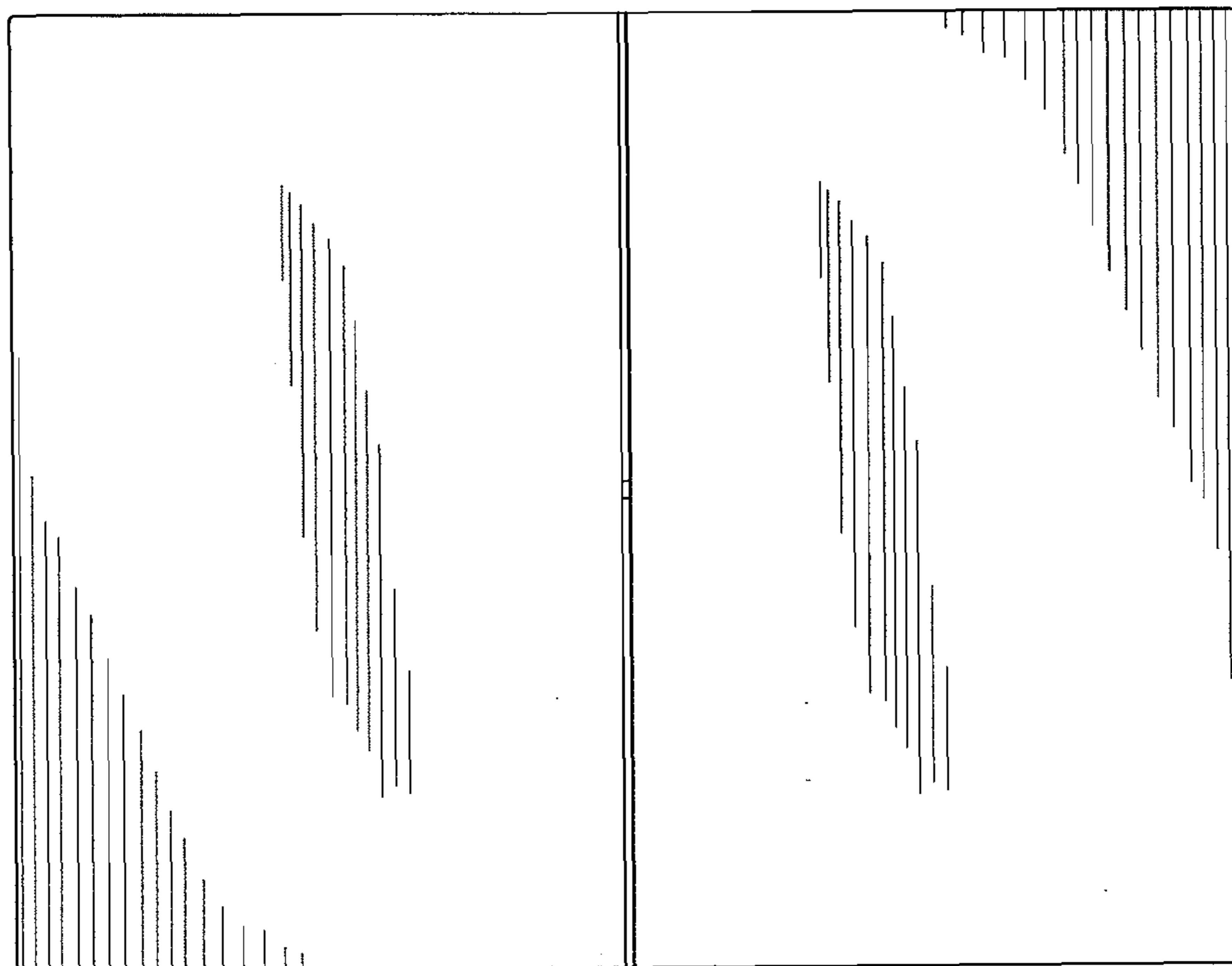


FIG. 7