

US00D628062S

(12) **United States Design Patent**
Snedden et al.

(10) **Patent No.:** **US D628,062 S**
(45) **Date of Patent:** **** Nov. 30, 2010**

(54) **CONTAINER**

(75) Inventors: **Craig Richard Snedden**, Culver City, CA (US); **Gandhi Bonergue Sifuentes**, Whittier, CA (US)

(73) Assignee: **Direct Pack, Inc.**, Sun Valley, CA (US)

(**) Term: **14 Years**

(21) Appl. No.: **29/345,332**

(22) Filed: **Oct. 14, 2009**

(51) **LOC (9) Cl.** **09-03**

(52) **U.S. Cl.** **D9/426**

(58) **Field of Classification Search** D9/414,
D9/418, 420, 423, 424, 425, 426, 431, 432;
210/465-470; 206/518, 519; 220/4.23-4.25,
220/833; 229/406

See application file for complete search history.

(56) **References Cited**

U.S. PATENT DOCUMENTS

- D218,155 S * 7/1970 Britt D9/423
- 3,902,540 A * 9/1975 Commisso 220/4.24
- D251,657 S 4/1979 Jewell
- D253,456 S * 11/1979 Payne D9/426
- D254,776 S 4/1980 Edwards
- D262,866 S 2/1982 Commisso
- D262,944 S 2/1982 Commisso
- D263,023 S 2/1982 Commisso
- D263,798 S 4/1982 Edwards
- D270,708 S 9/1983 Dart
- D272,595 S 2/1984 Chase et al.
- D276,216 S 11/1984 Michaud
- D277,167 S 1/1985 Dart
- D280,605 S 9/1985 Karlik
- D282,245 S 1/1986 Yeung
- D304,908 S 12/1989 Natori
- D304,910 S 12/1989 Natori
- D308,826 S * 6/1990 Cyr et al. D9/426
- D322,757 S * 12/1991 Payne D9/425
- D339,744 S 9/1993 Seppala
- D344,022 S 2/1994 Lesquir
- D353,327 S 12/1994 Castner et al.
- D407,014 S 3/1999 McCann
- D408,733 S 4/1999 McCann

- D408,734 S 4/1999 McCann
- D409,484 S 5/1999 Tasker
- D414,080 S 9/1999 Bolwien
- D419,829 S 2/2000 Wilson et al.
- D428,777 S 8/2000 Hayes et al.
- D440,830 S 4/2001 Tucker et al.
- D478,786 S 8/2003 Kotsonis
- D503,336 S 3/2005 Tucker et al.
- D505,839 S 6/2005 Stanos et al.
- D524,645 S 7/2006 LaMasney
- D536,992 S 2/2007 Garg et al.
- D540,666 S 4/2007 Ramirez et al.
- D541,649 S 5/2007 Ramirez et al.
- D554,498 S 11/2007 Lovett
- D554,988 S 11/2007 Sim
- D556,571 S 12/2007 Jalet
- D589,342 S * 3/2009 Maslowski D9/428
- D591,148 S 4/2009 Parikh et al.
- D592,018 S 5/2009 Back

* cited by examiner

Primary Examiner—Daniel D Bui
Assistant Examiner—Thomas J Johannes
(74) *Attorney, Agent, or Firm*—Frost Brown Todd LLC.

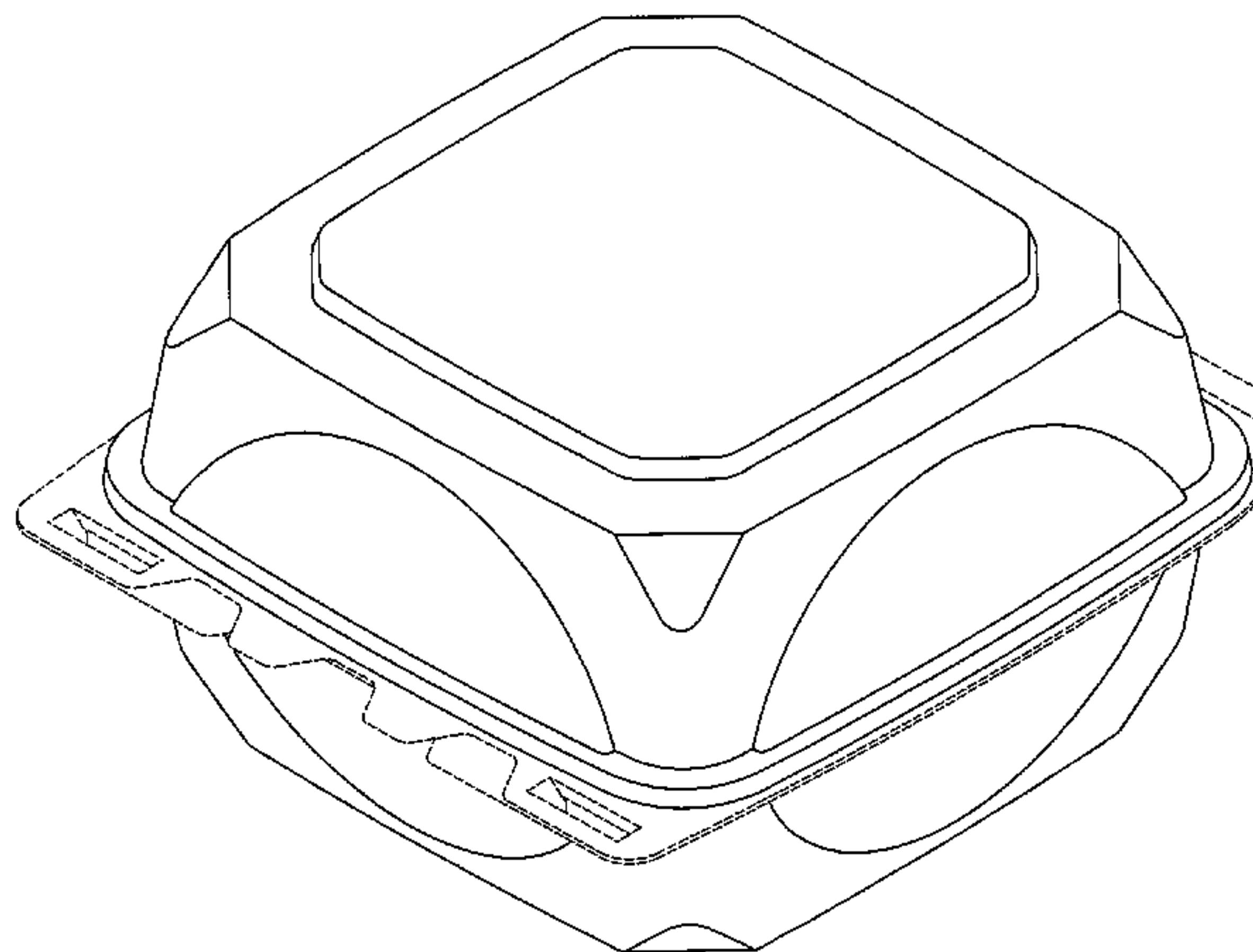
(57) **CLAIM**

The ornamental design for a container, as shown and described.

DESCRIPTION

FIG. 1 is a top perspective view of a container, showing our new design;
FIG. 2 is a front elevational view thereof;
FIG. 3 is a back elevational view thereof;
FIG. 4 is a right elevational view thereof;
FIG. 5 is a left elevational view thereof;
FIG. 6 is a top plan view thereof;
FIG. 7 is a bottom plan view thereof; and,
FIG. 8 is a bottom perspective view thereof.
The flanges and hinge shown in broken lines are unclaimed environment, and form no part of the claimed design.

1 Claim, 6 Drawing Sheets



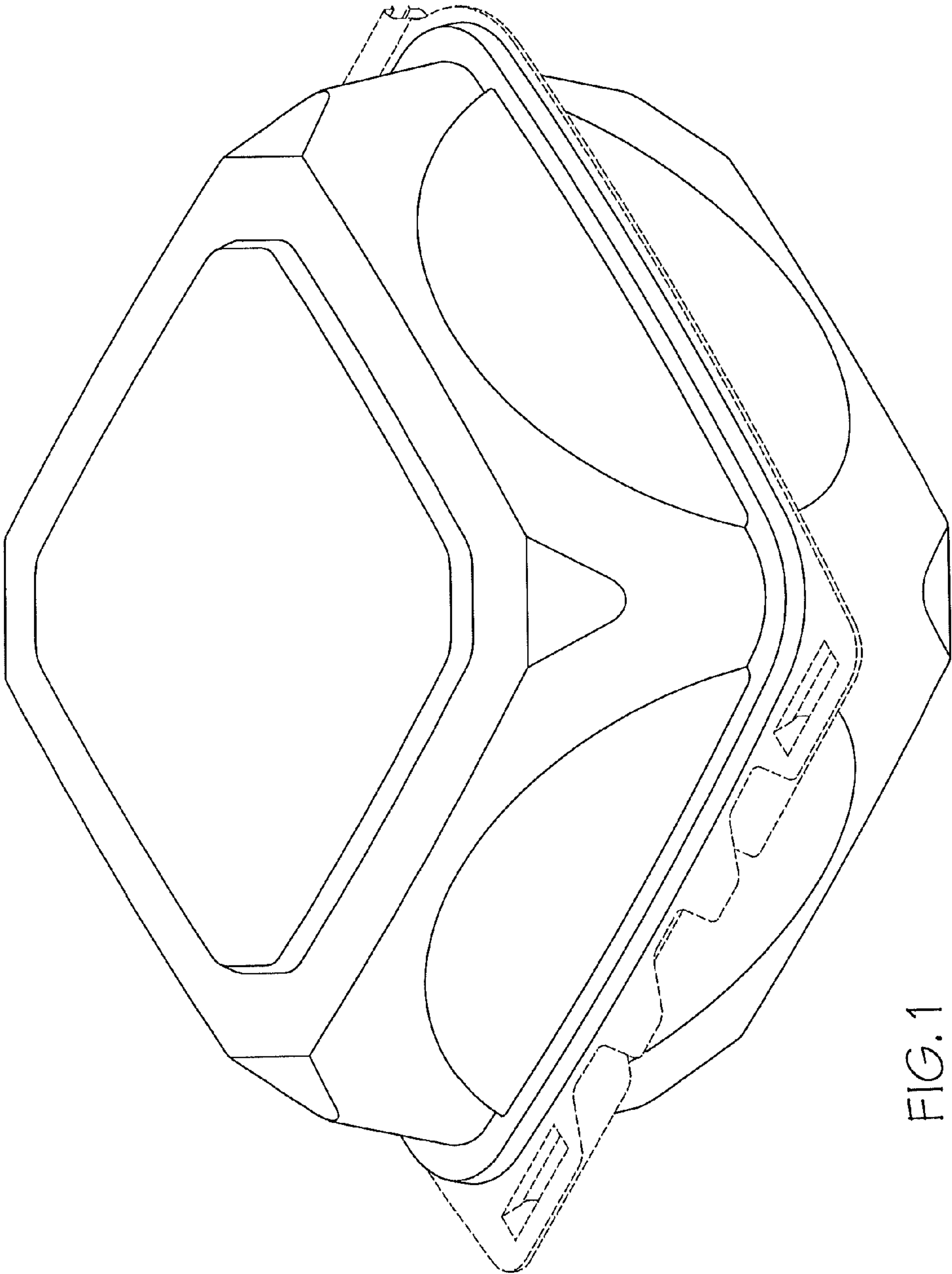


FIG. 1

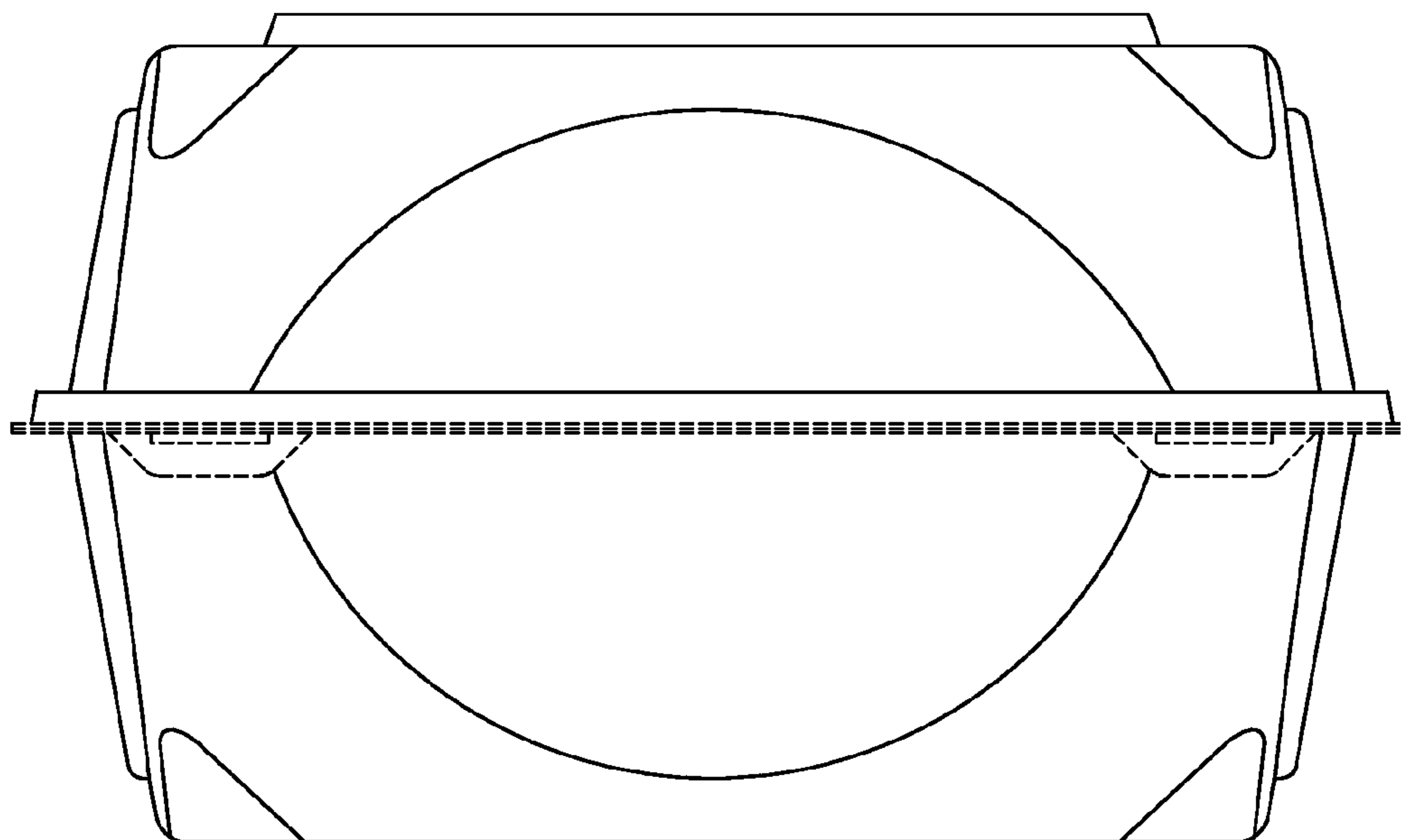


FIG. 2

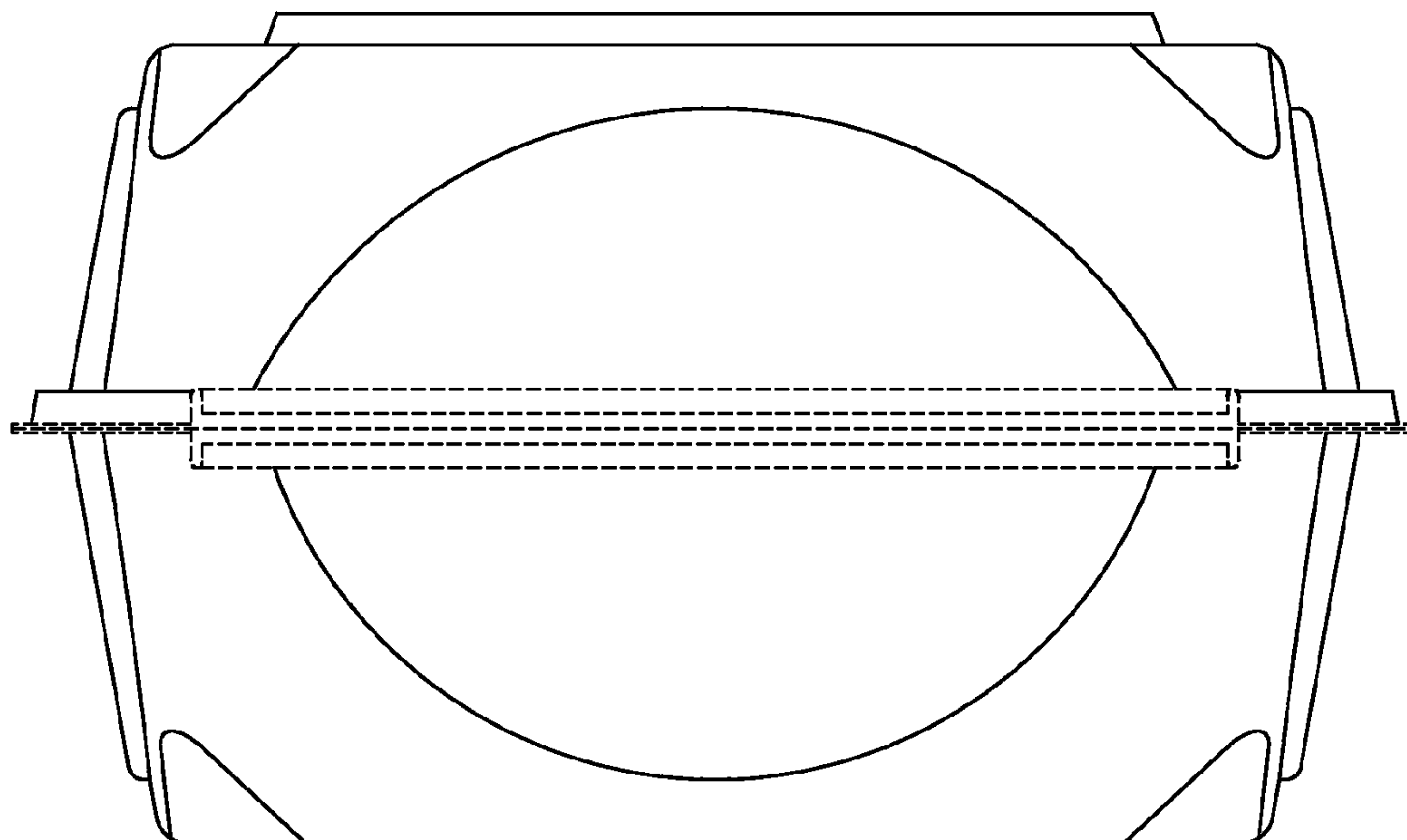


FIG. 3

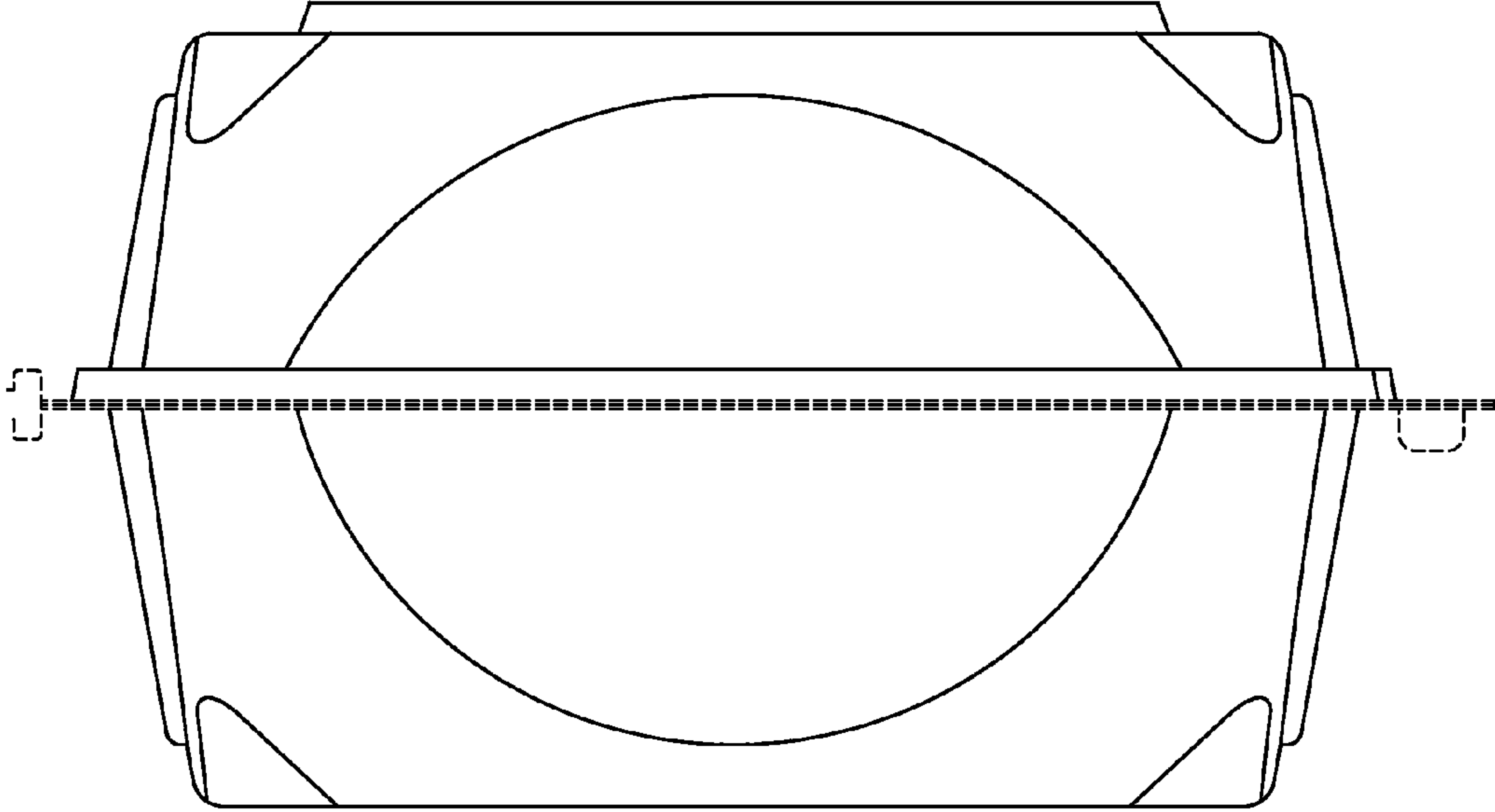


FIG. 4

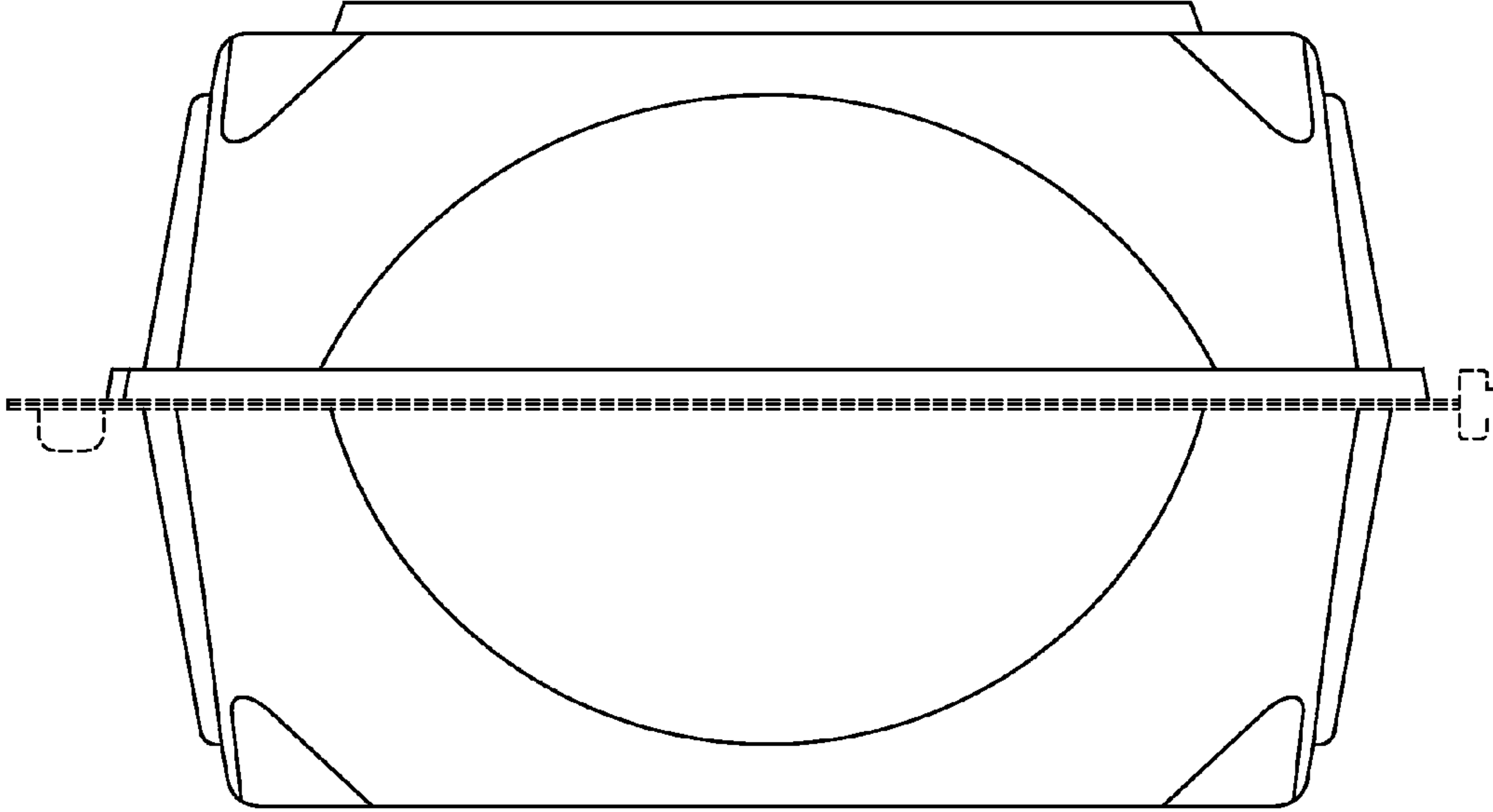


FIG. 5

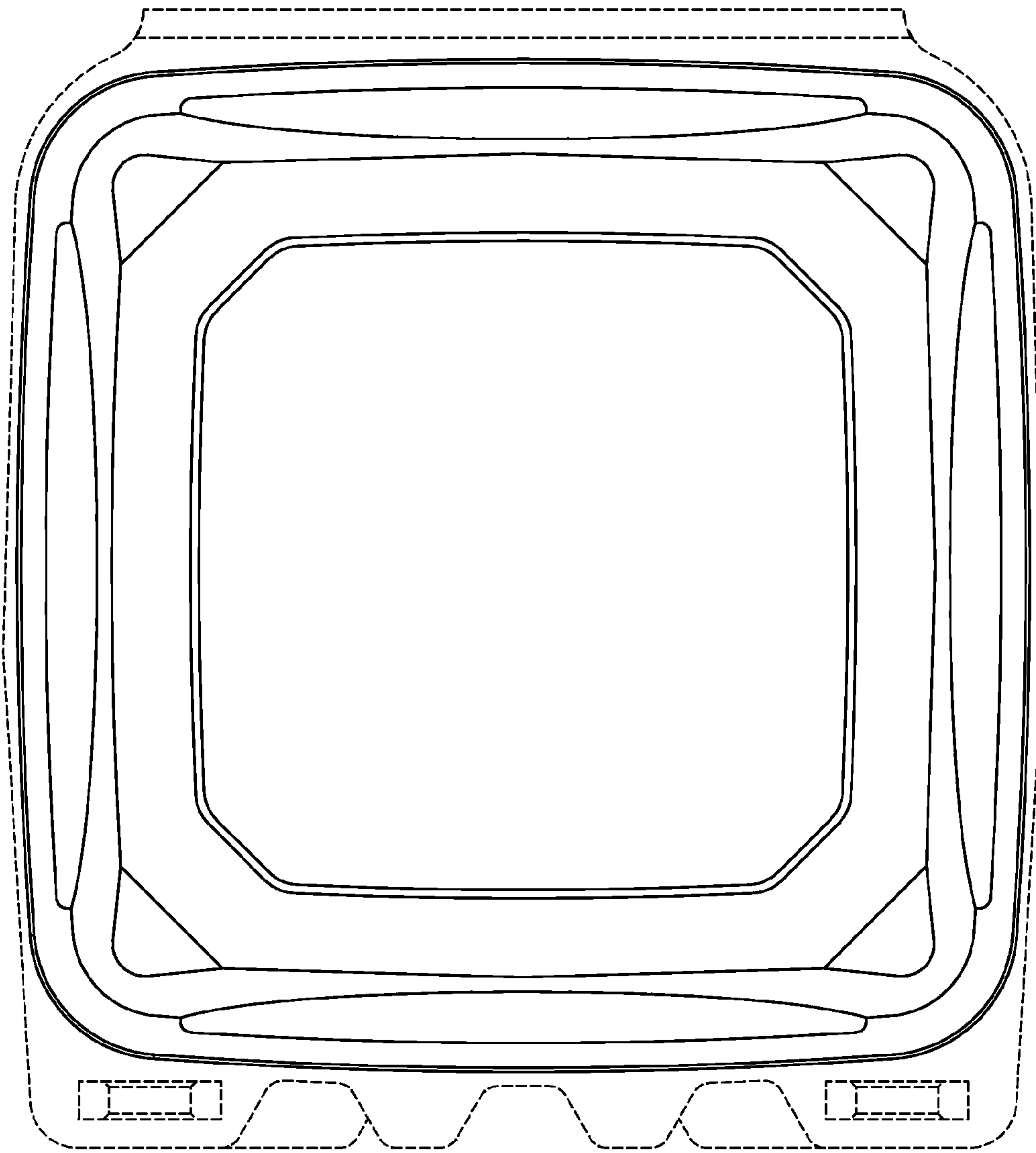


FIG. 6

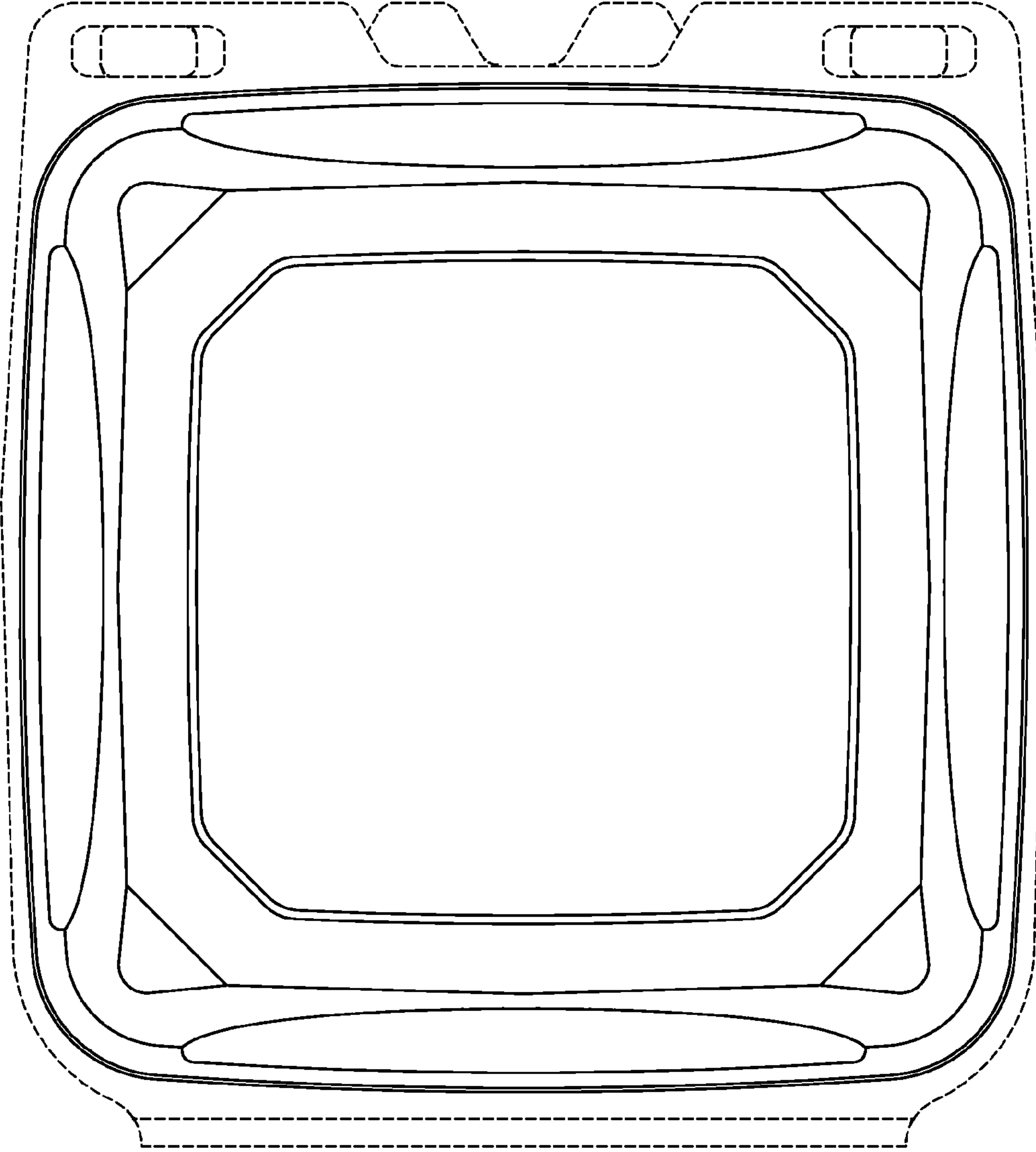


FIG. 7

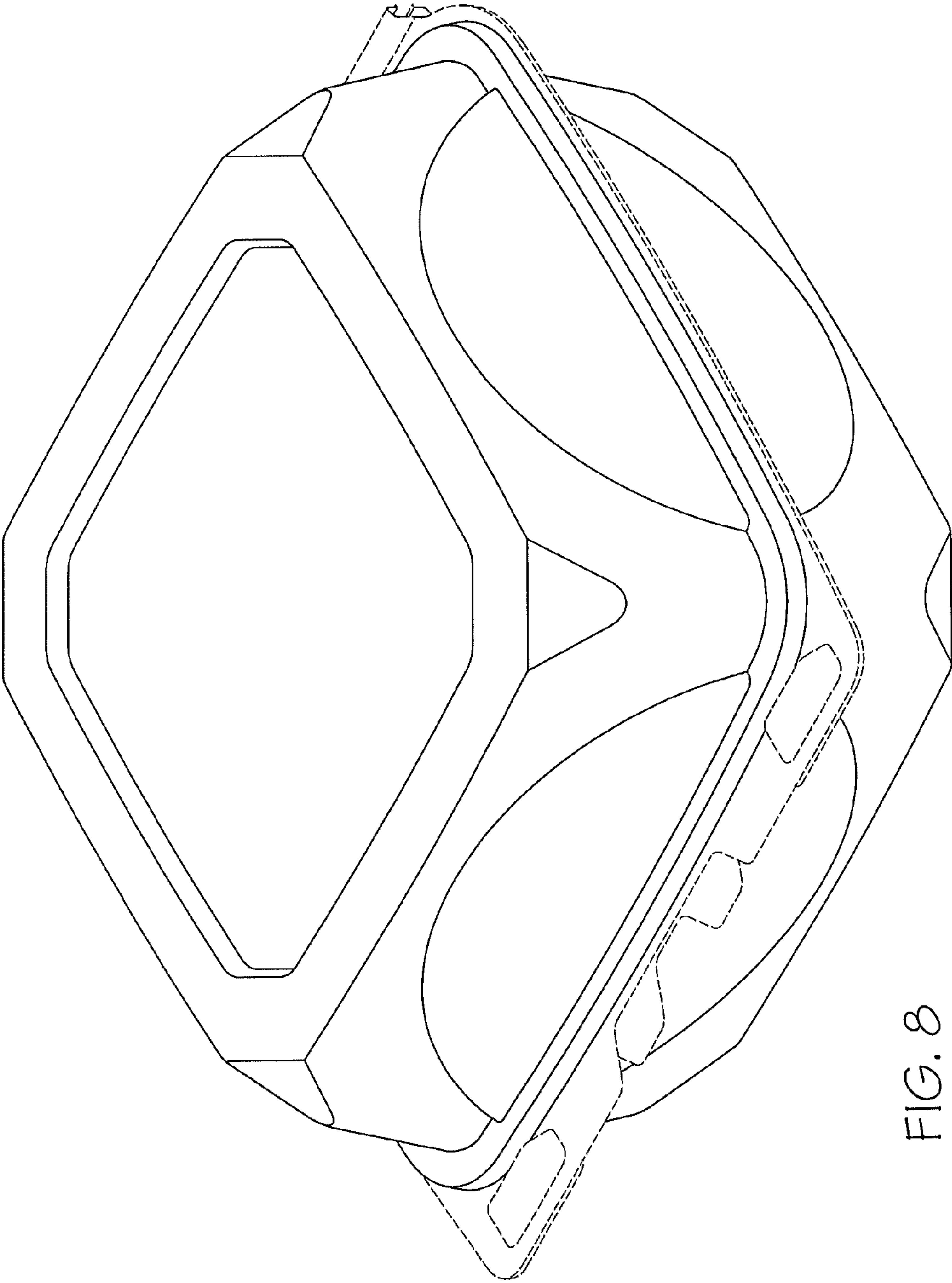


FIG. 8