



US00D628061S

(12) **United States Design Patent**
Nakano

(10) **Patent No.:** **US D628,061 S**

(45) **Date of Patent:** **** Nov. 30, 2010**

(54) **PACKAGING AMPULE**

(75) Inventor: **Hideshi Nakano**, Osaka (JP)

(73) Assignee: **Nippon Zoki Pharmaceutical Co., Ltd.**,
Osaka (JP)

(**) Term: **14 Years**

(21) Appl. No.: **29/343,286**

(22) Filed: **Sep. 10, 2009**

(30) **Foreign Application Priority Data**

Mar. 10, 2009 (JP) 2009-005301

(51) **LOC (9) Cl.** **09-03**

(52) **U.S. Cl.** **D9/426; D9/723**

(58) **Field of Classification Search** D9/414,
D9/415, 418, 430, 435, 438, 445, 447, 448,
D9/452, 453, 454, 341, 344, 347, 724, 521,
D9/529, 530, 538; 220/23.8, 23.2, 23.83;
206/461-471, 806, 820, 775-780; 200/257.1,
200/258.2, 716, 806; 215/200, 260, 261;
222/212, 520, 521

See application file for complete search history.

(56) **References Cited**

U.S. PATENT DOCUMENTS

D60,472 S * 2/1922 Smith D9/573
1,784,937 A * 12/1930 Kreslawsky 40/540
3,585,982 A * 6/1971 Hollinshead 126/263.1
3,913,734 A * 10/1975 Siegel 206/470
D257,394 S * 10/1980 Reichler D9/696

D401,158 S * 11/1998 Bakic D9/574
D414,410 S * 9/1999 Klein et al. D9/415
D426,150 S * 6/2000 Izumi et al. D9/415
D430,019 S * 8/2000 Humphrey D9/415
D446,720 S * 8/2001 Qvortrup D9/724
D597,830 S * 8/2009 Andersen et al. D9/418
D622,144 S * 8/2010 Nakano D9/454

* cited by examiner

Primary Examiner—Daniel D Bui

Assistant Examiner—Thomas J Johannes

(74) *Attorney, Agent, or Firm*—Olliff & Berridge, PLC

(57) **CLAIM**

The ornamental design for a packaging ampule, as shown and described.

DESCRIPTION

FIG. 1 is a front elevation view of a packaging ampule, showing my new design, the rear view being identical to the front view;

FIG. 2 is a left-side elevation view thereof, the right-side view being identical to the left-side view;

FIG. 3 is a top plan view thereof;

FIG. 4 is a bottom plan view thereof;

FIG. 5 is a cross-sectional view thereof taken along the line 5—5 of FIG. 1;

FIG. 6 is a cross-sectional view thereof taken along the line 6—6 of FIG. 2; and,

FIG. 7 is a perspective view thereof.

1 Claim, 6 Drawing Sheets

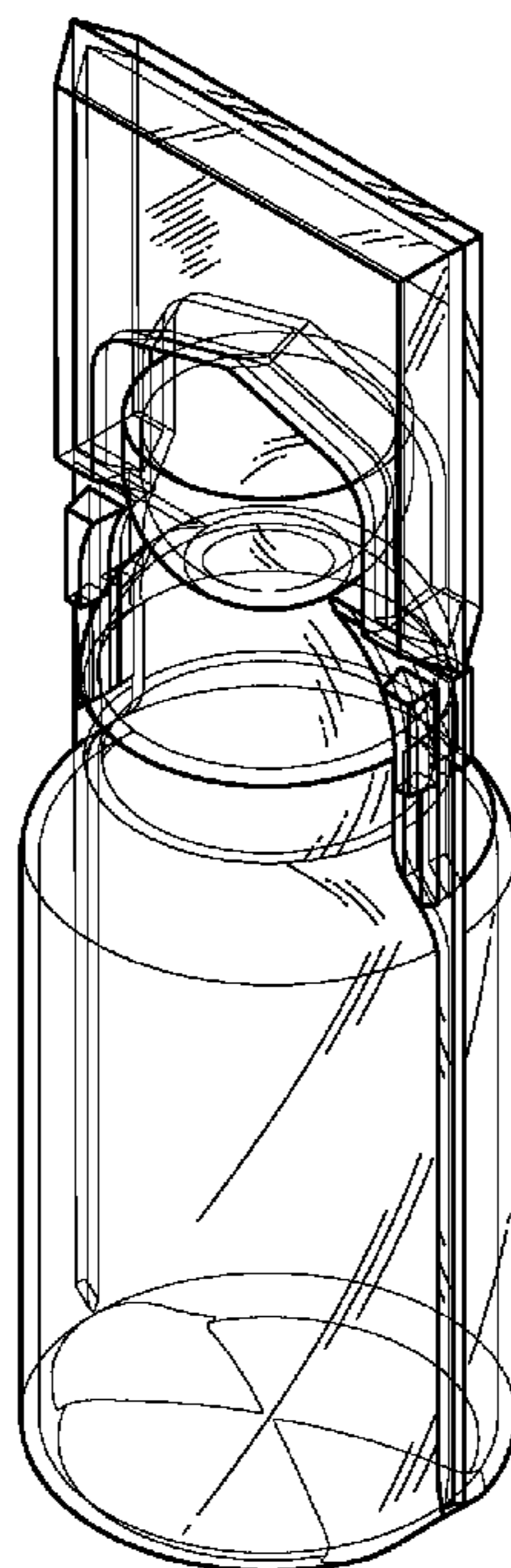


FIG. 1

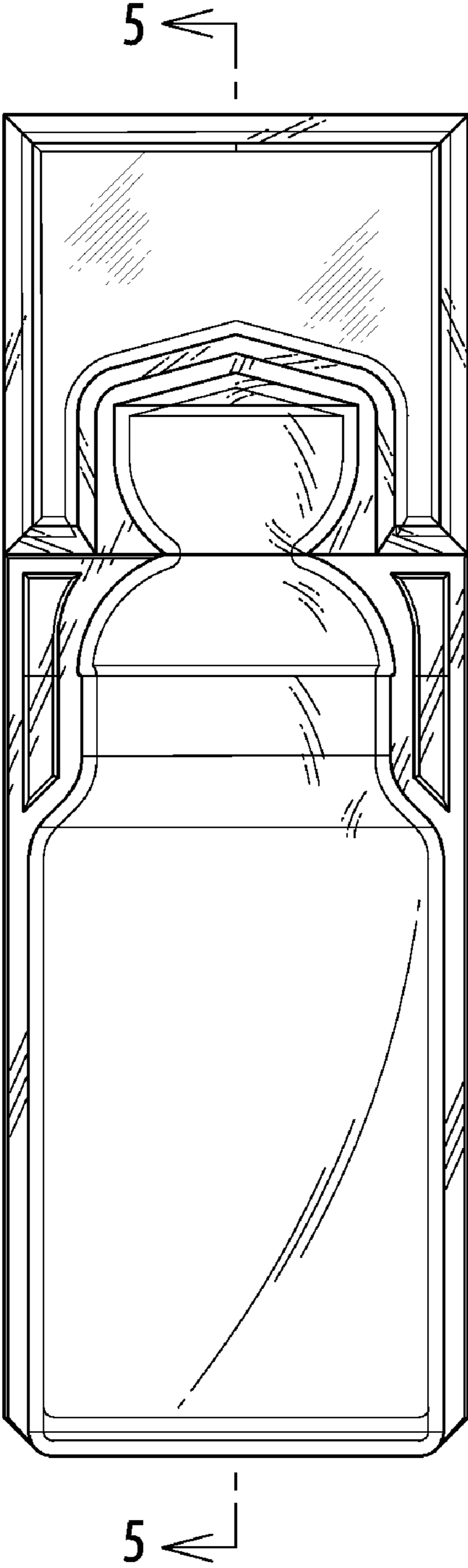


FIG. 2

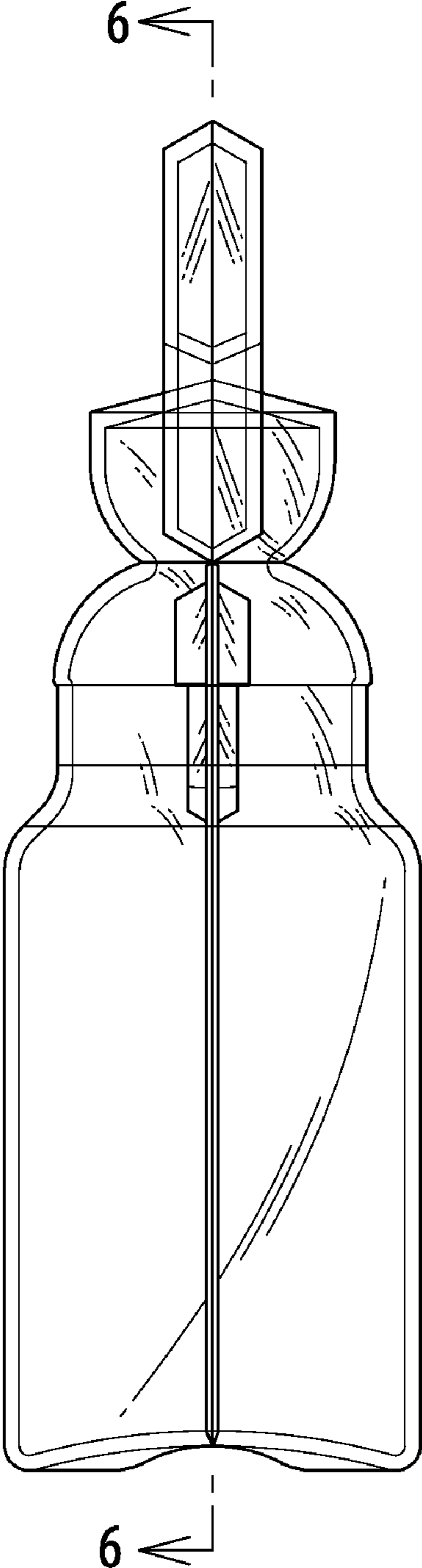


FIG. 3

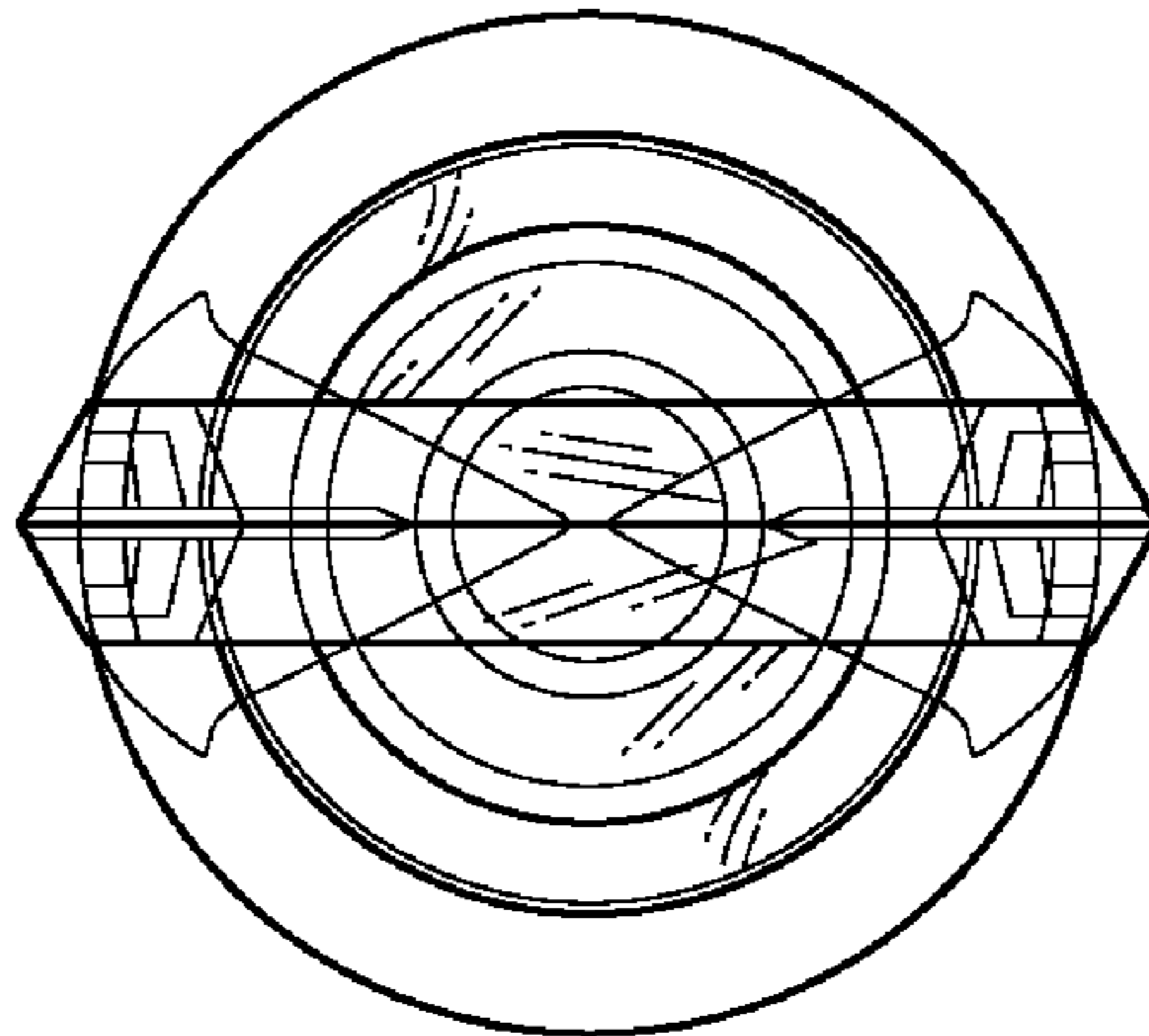


FIG. 4

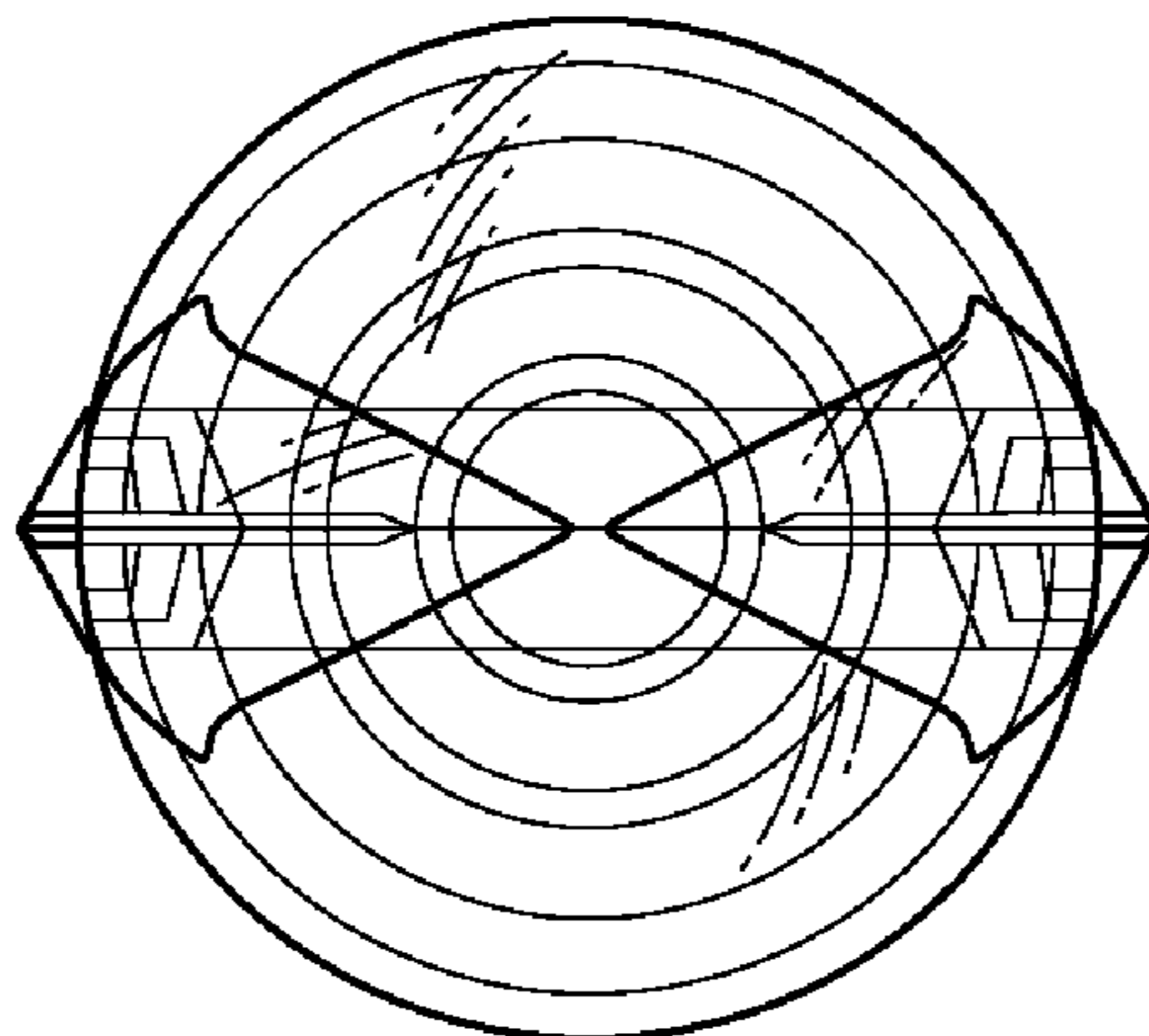


FIG. 5

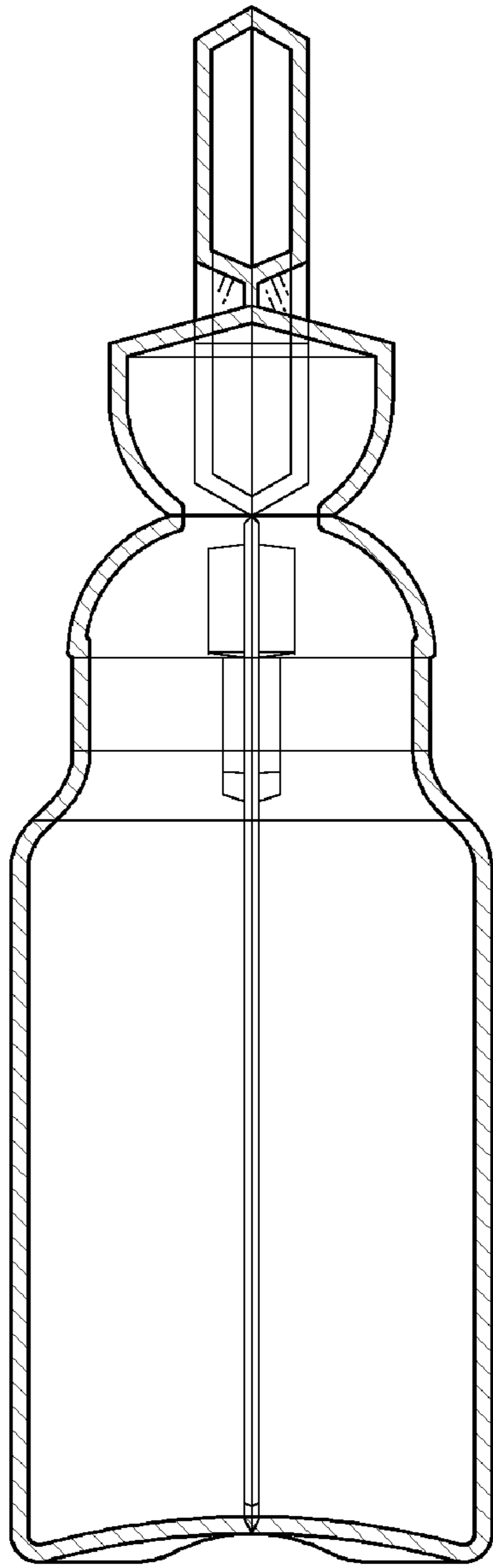


FIG. 6

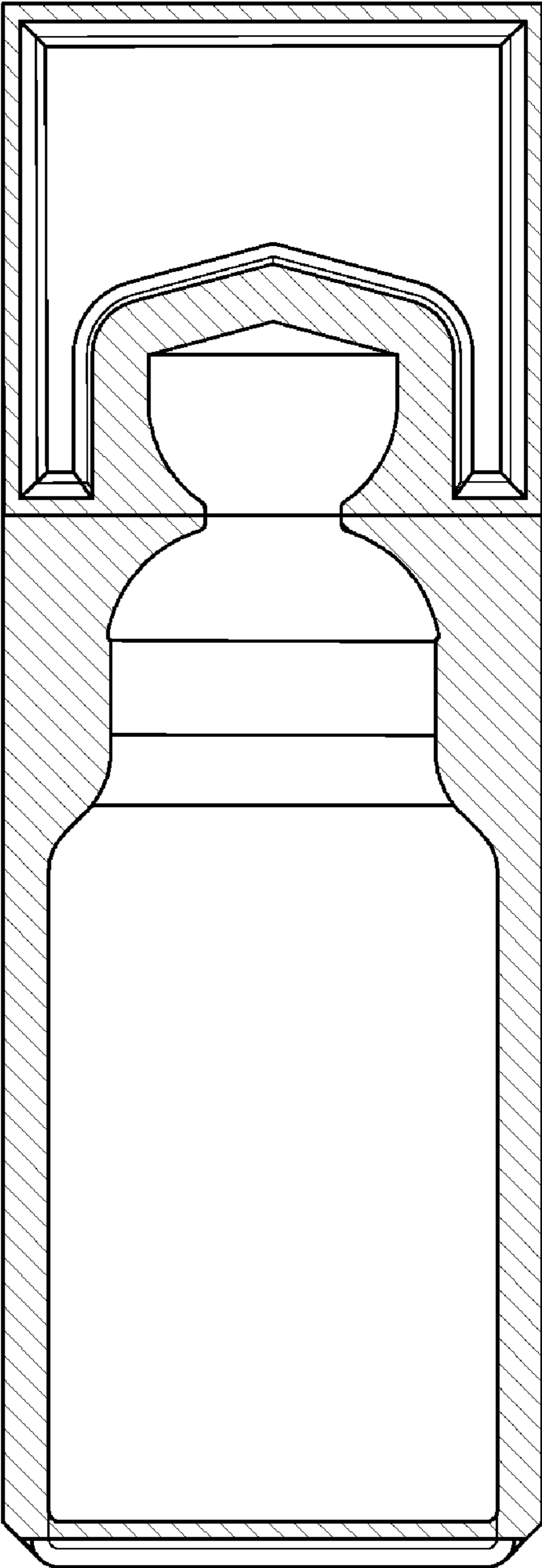


FIG. 7

