



US00D628060S

(12) **United States Design Patent**
Wallach et al.

(10) **Patent No.:** **US D628,060 S**
(45) **Date of Patent:** **** Nov. 30, 2010**

(54) **PACKAGING FOR FOODSTUFFS**

D531,502 S * 11/2006 Gomoll et al. D9/435
D551,975 S * 10/2007 Gomoll et al. D9/452
D554,988 S * 11/2007 Sim D9/425

(75) Inventors: **Peter Wallach**, St. Pölten (AT); **Planer Franz**, Weinburg (AT)

* cited by examiner

(73) Assignee: **Teich Aktiengesellschaft**, Weinburg (AT)

Primary Examiner—Prabhakar Deshmukh
Assistant Examiner—Derrick Holland

(**) Term: **14 Years**

(74) *Attorney, Agent, or Firm*—Lucas & Mercanti, LLP; Klaus P. Stoffel

(21) Appl. No.: **29/348,575**

(57) **CLAIM**

(22) Filed: **Jan. 20, 2010**

The ornamental design for a packaging for foodstuffs, as shown and described.

(30) **Foreign Application Priority Data**

Aug. 18, 2009 (EM) 001601733

DESCRIPTION

(51) **LOC (9) Cl.** **09-03**

FIG. 1 is a perspective top view of a packaging for foodstuffs showing my new design;

(52) **U.S. Cl.** **D9/424**

FIG. 2 is a perspective bottom view thereof;

(58) **Field of Classification Search** D9/424, D9/414, 416, 419, 425, 426, 427, 428, 429, D9/430, 432, 761; D3/205, 312; D7/601, D7/602, 629; 206/352, 354, 355, 503–505, 206/508, 581, 815, 822; 220/659, 669, 675, 220/691; 229/406

FIG. 3 is a side view thereof;

FIG. 4 is a rear view thereof;

FIG. 5 is a top view thereof;

FIG. 6 is a bottom view thereof;

FIG. 7 is another side view thereof;

See application file for complete search history.

FIG. 8 is a perspective top view of another embodiment of a packaging for foodstuffs showing my new design;

FIG. 9 is a perspective bottom view thereof;

(56) **References Cited**

U.S. PATENT DOCUMENTS

D195,375 S * 6/1963 Bostrom D9/425
3,104,776 A * 9/1963 Bostrom 220/671
D280,590 S * 9/1985 Schrage D7/360
4,616,762 A * 10/1986 Alexander 220/658
4,623,088 A * 11/1986 Holden 229/407
D307,716 S * 5/1990 Fitzloff et al. D9/424
5,423,453 A * 6/1995 Fritz 220/608
D361,036 S * 8/1995 Krupa D9/424
D430,800 S * 9/2000 Sarnoff D9/425
D485,755 S * 1/2004 Isler et al. D9/425

FIG. 10 is a side view thereof;

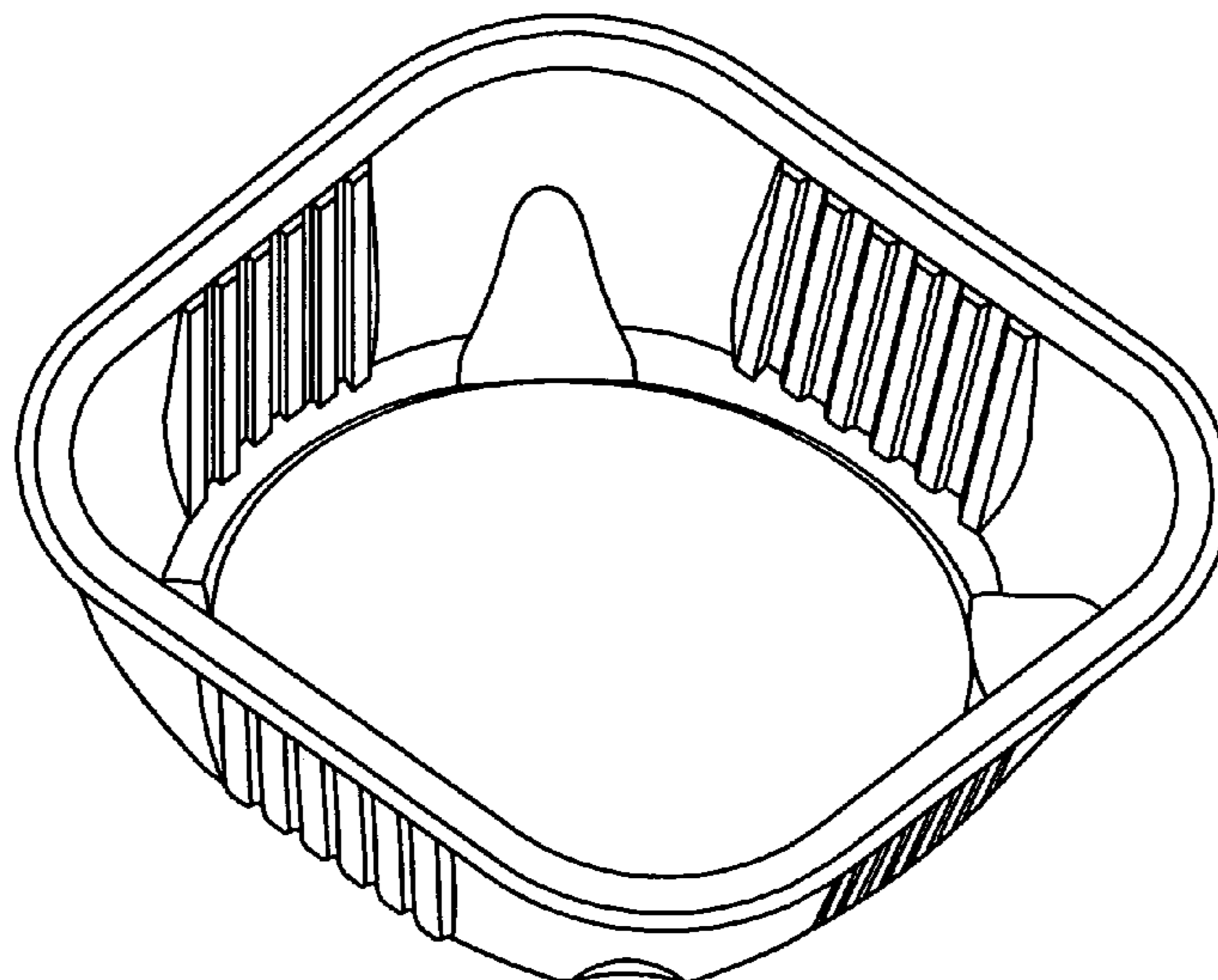
FIG. 11 is a rear view thereof;

FIG. 12 is a top view thereof;

FIG. 13 is a bottom view thereof; and,

FIG. 14 is another side view thereof.

1 Claim, 14 Drawing Sheets



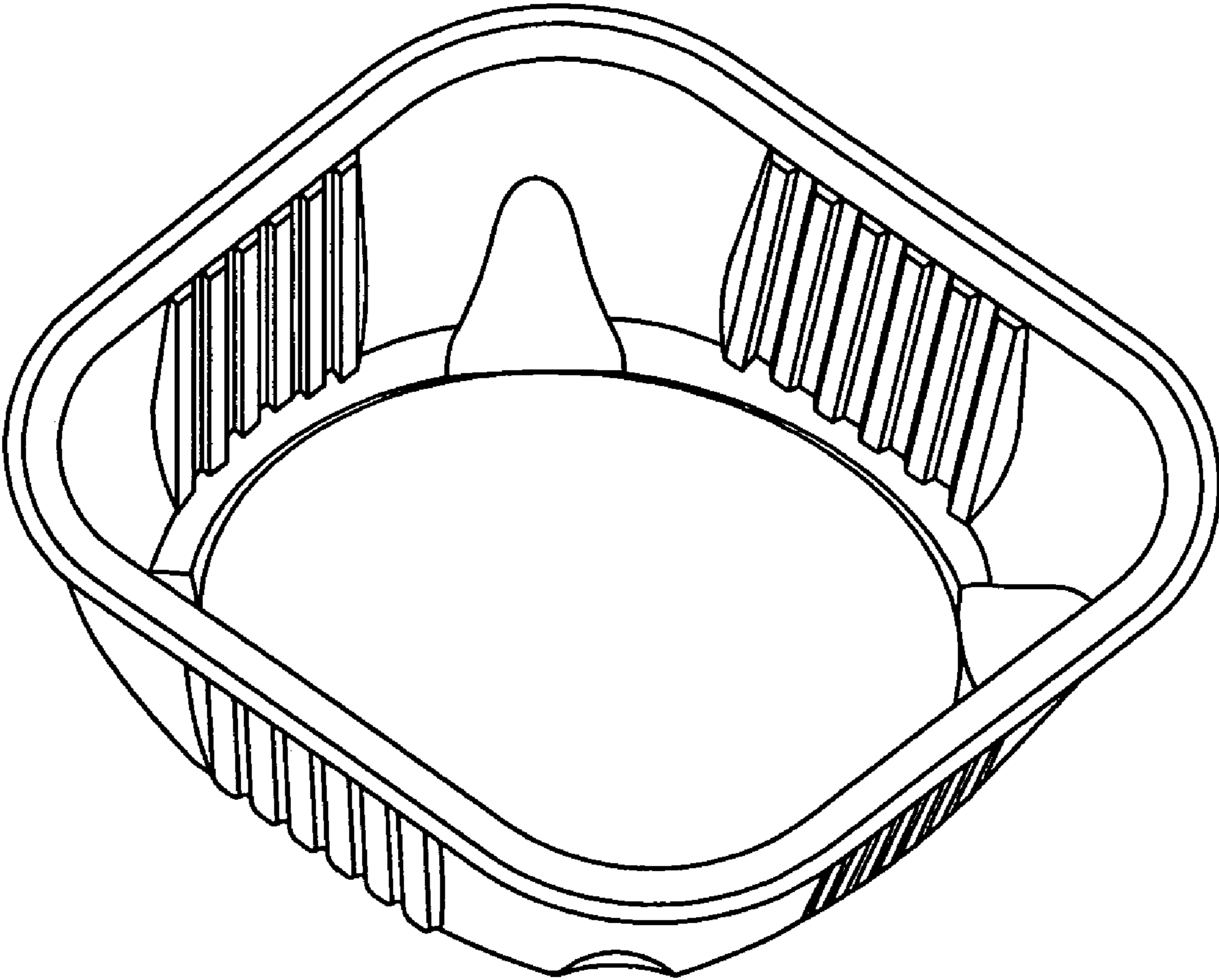


FIG. 1

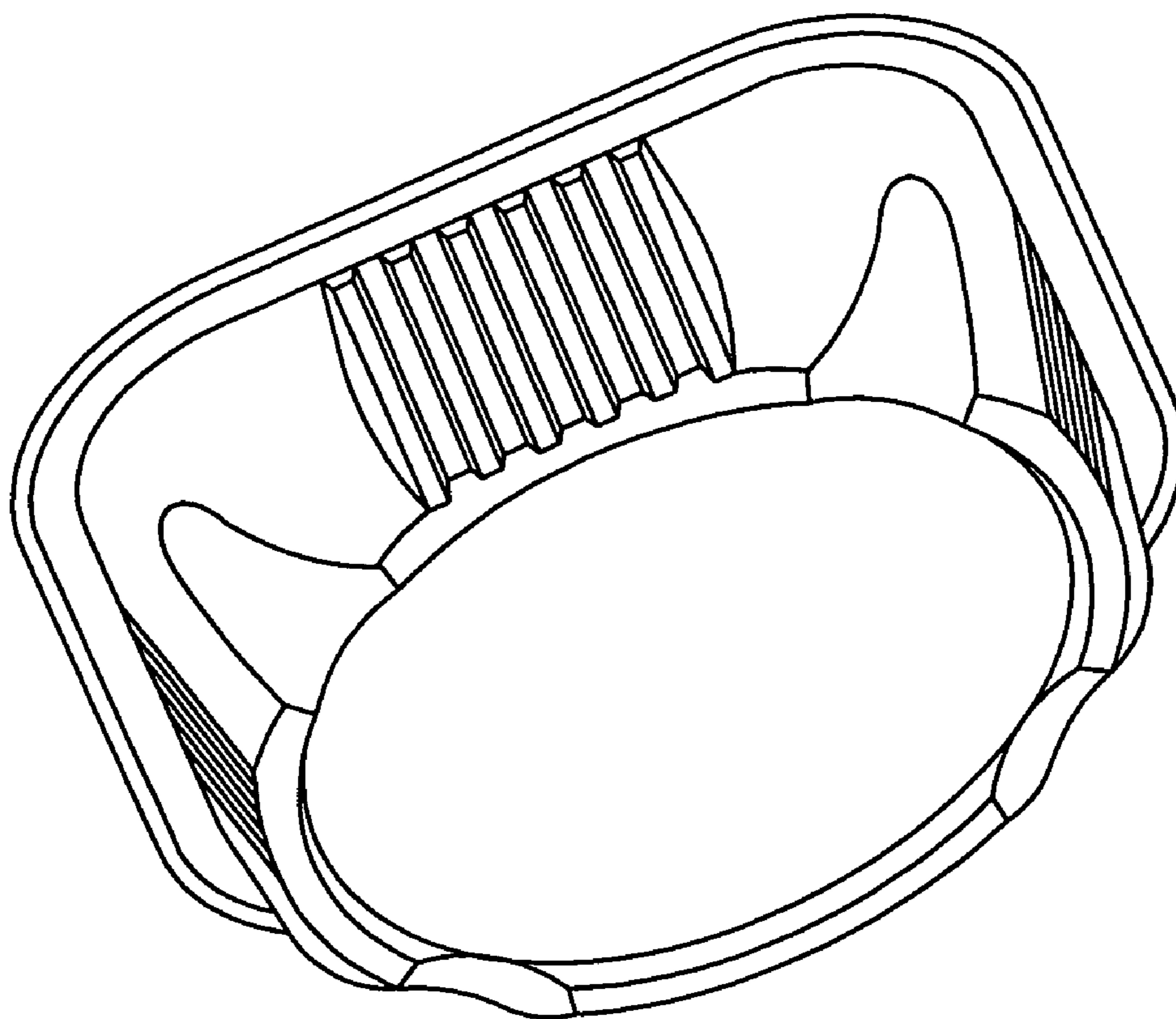


FIG. 2

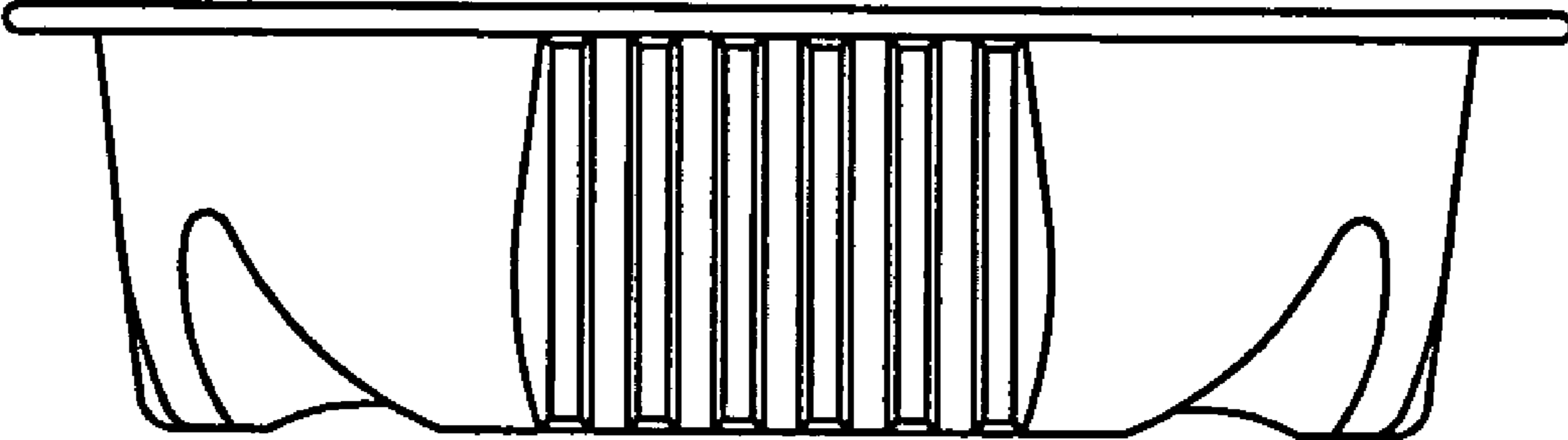


FIG. 3

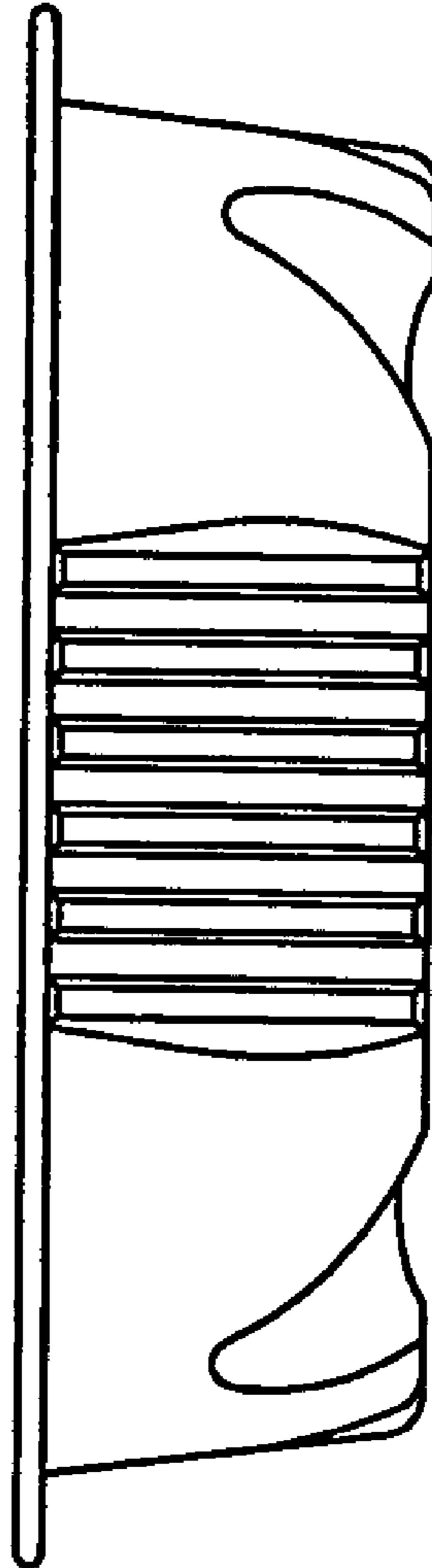


FIG. 4

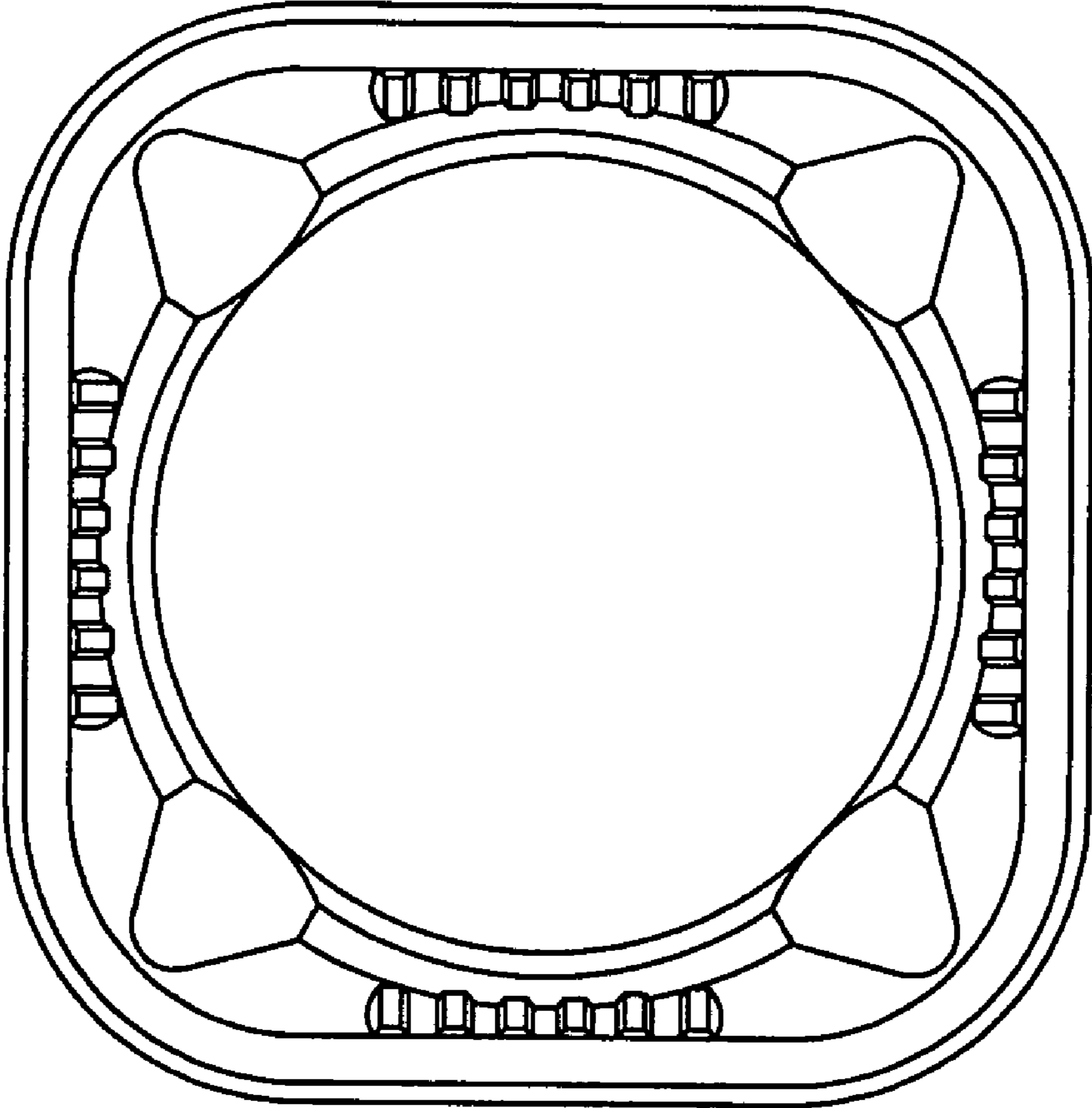


FIG. 5

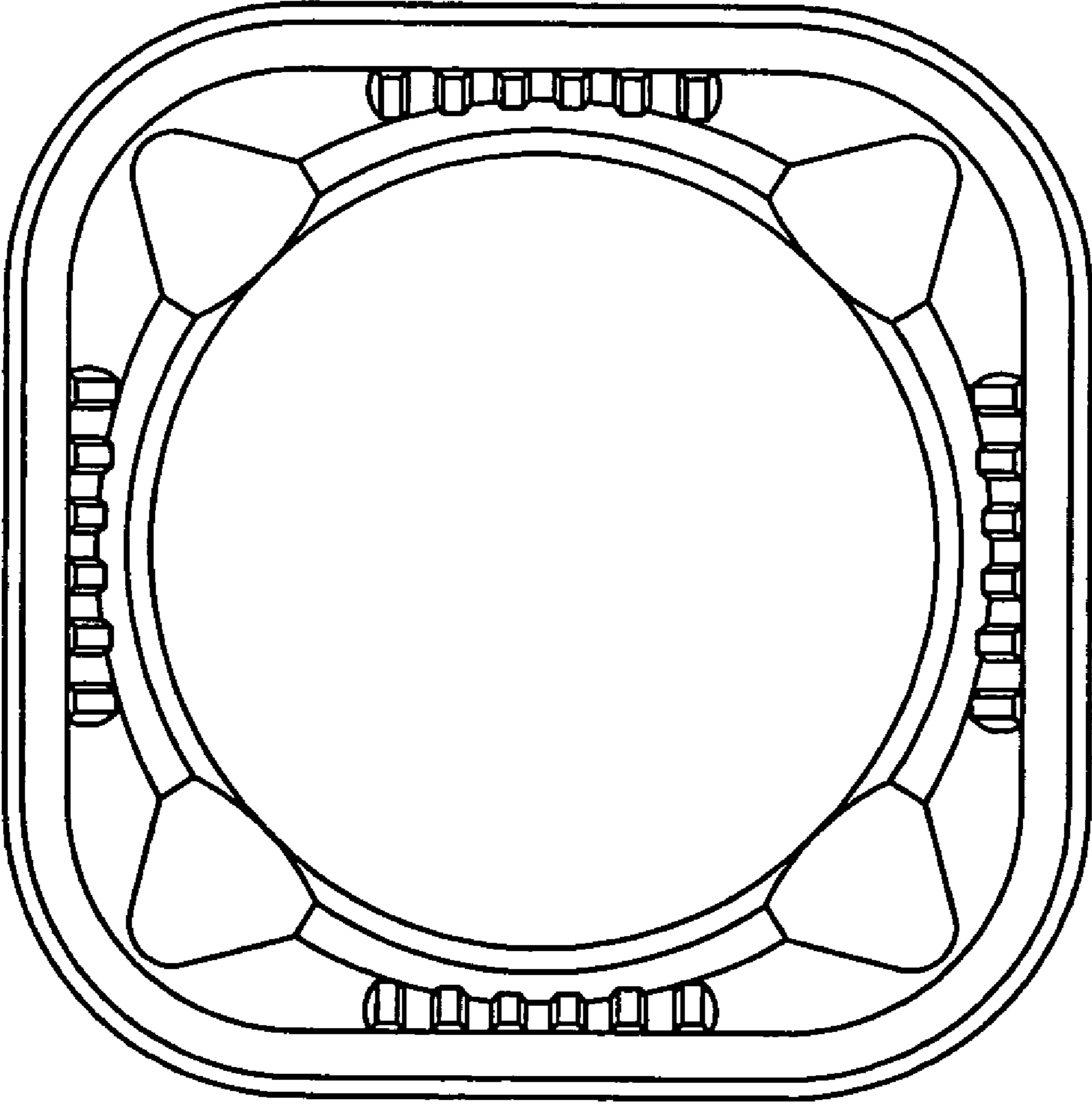


FIG. 6

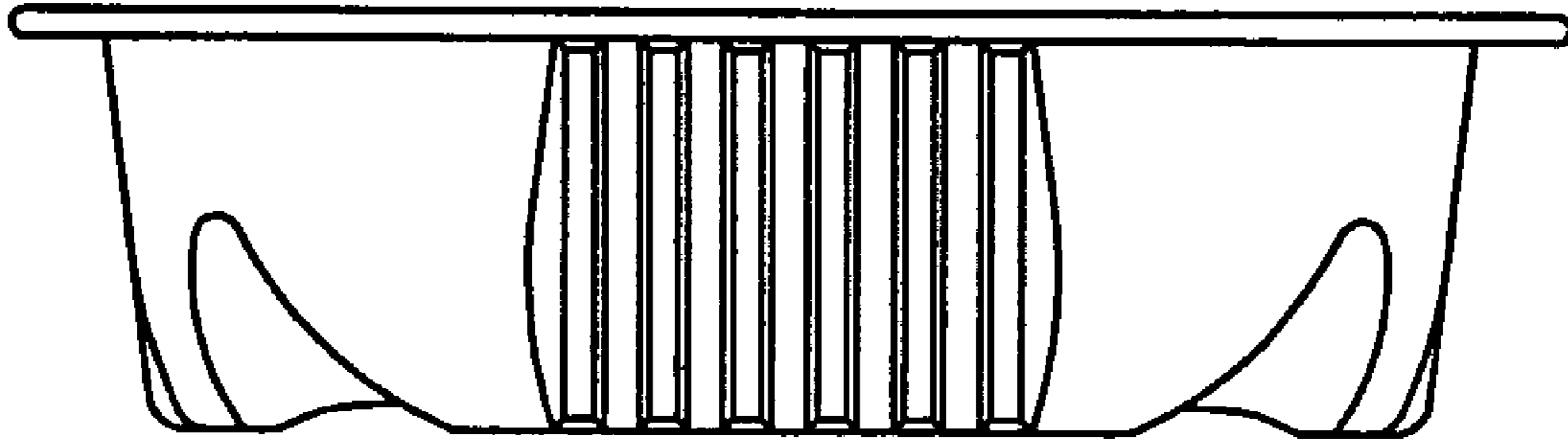


FIG. 7

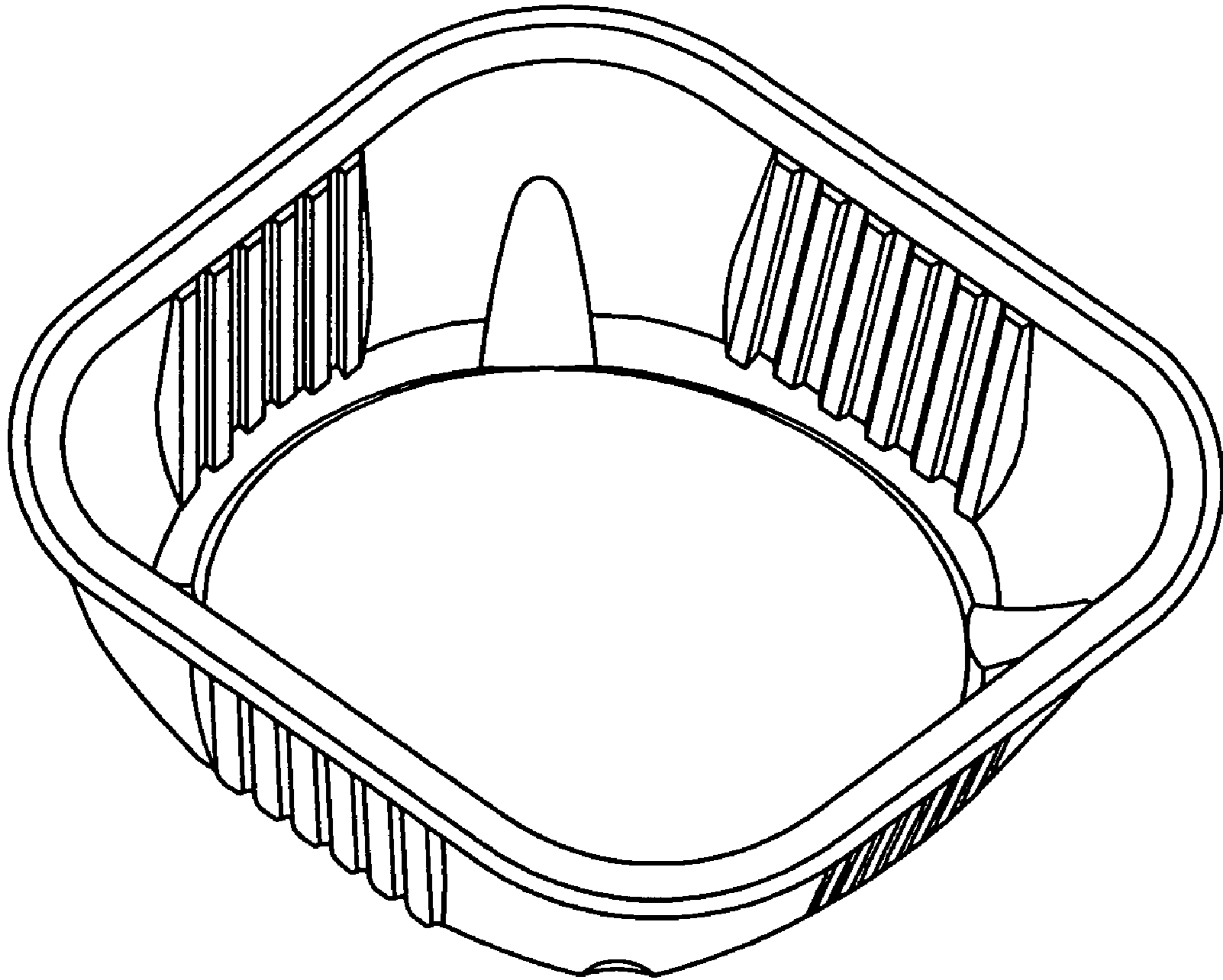


FIG. 8

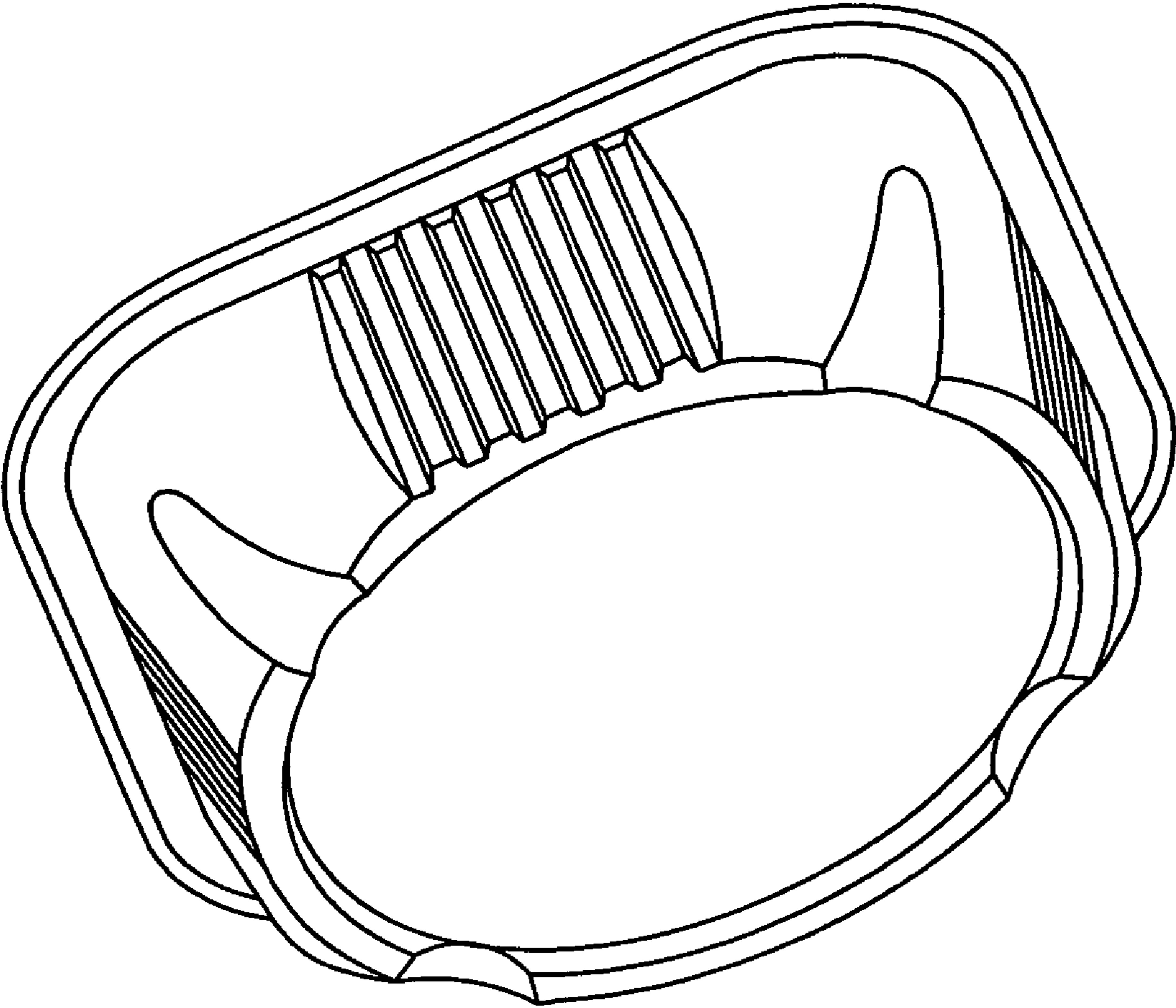


FIG. 9

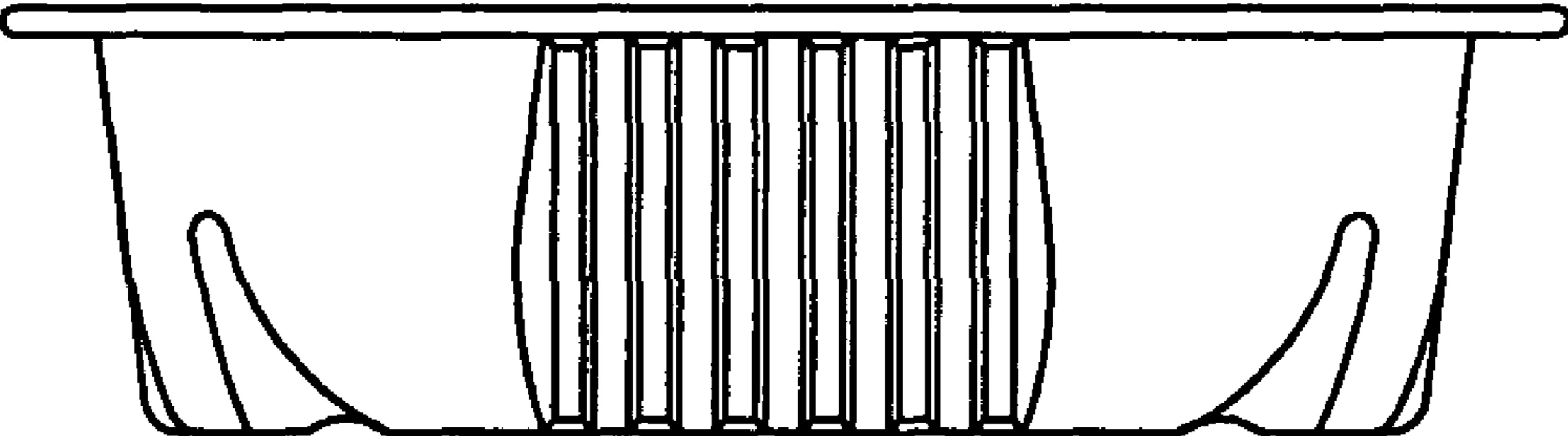


FIG. 10

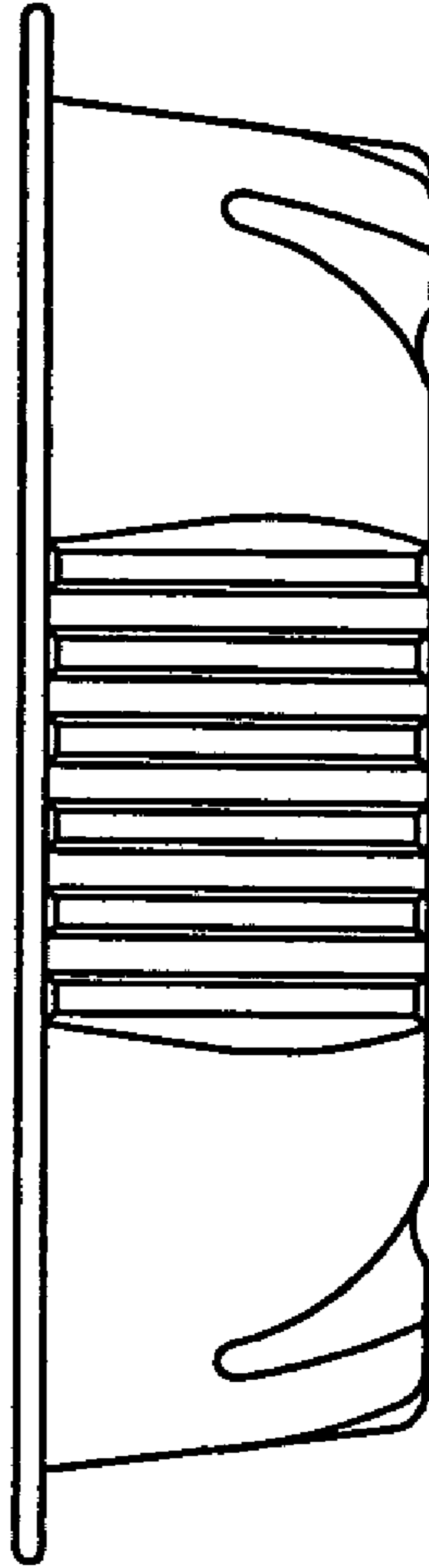


FIG. 11

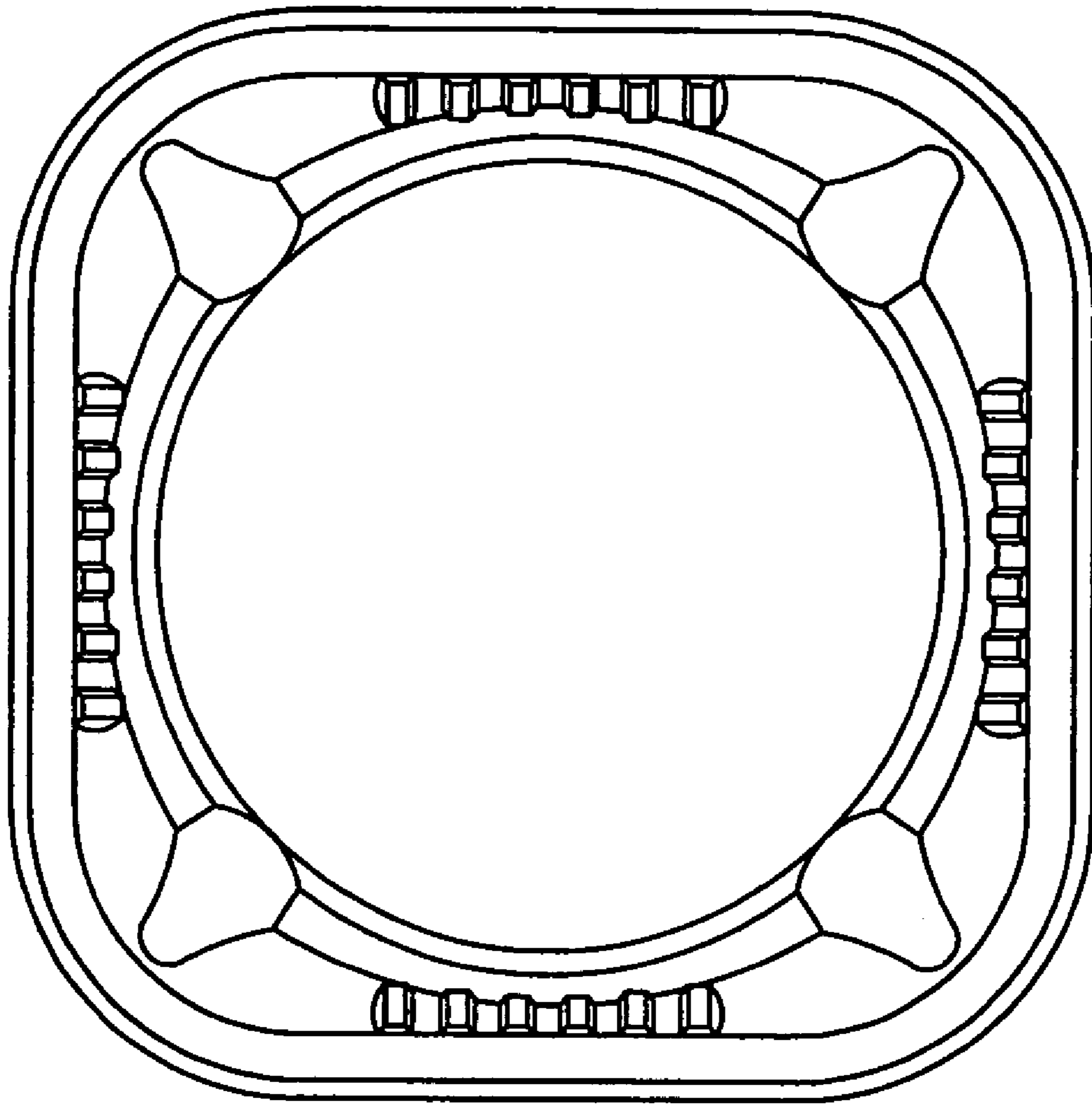


FIG. 12

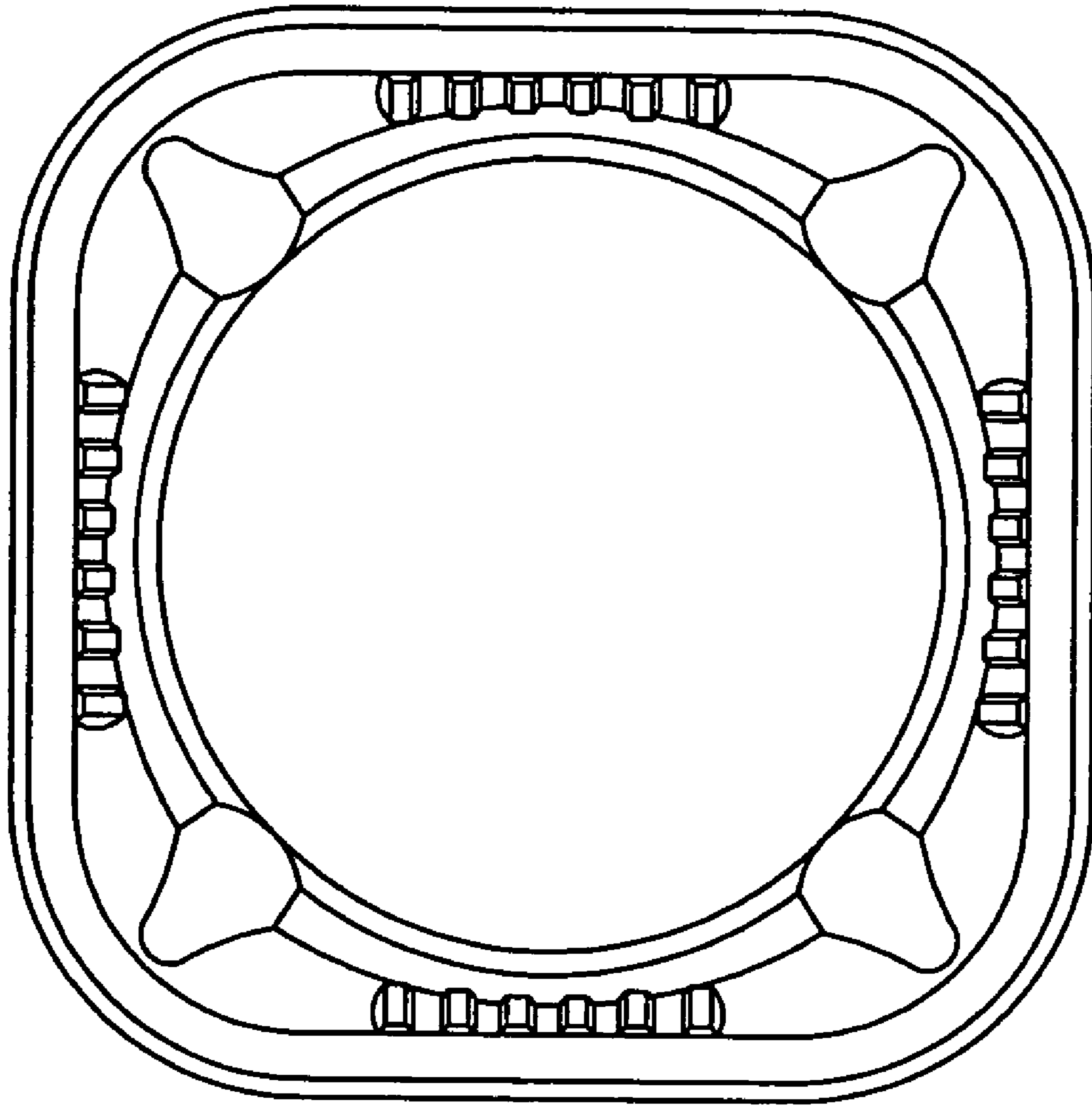


FIG. 13

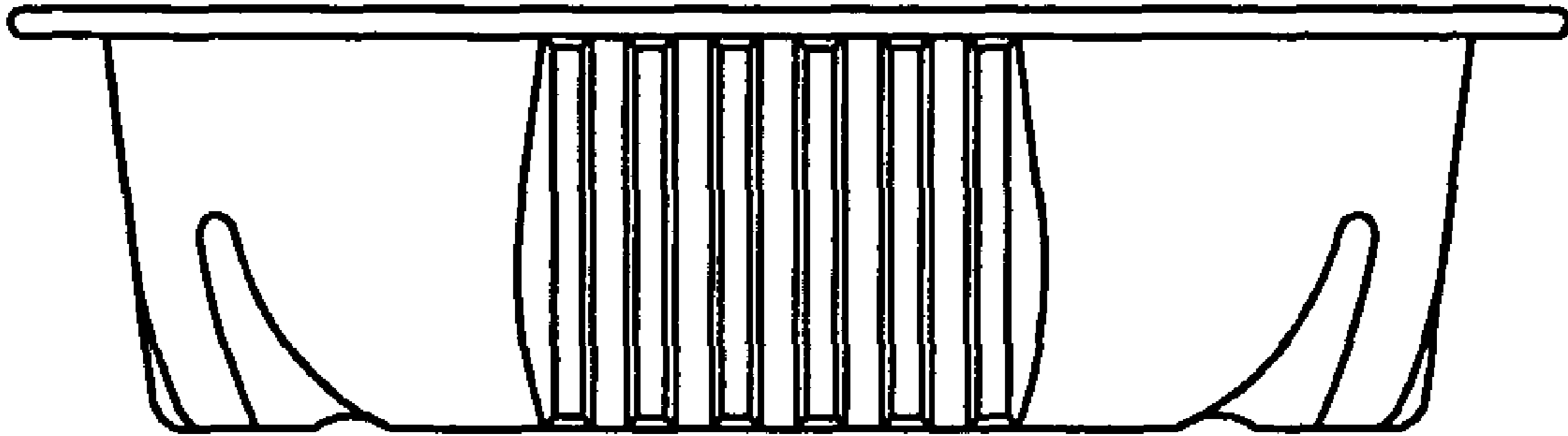


FIG. 14