



US00D628058S

(12) **United States Design Patent**
Beaty

(10) **Patent No.:** **US D628,058 S**

(45) **Date of Patent:** **** Nov. 30, 2010**

(54) **PACKAGING CONTAINER**

(75) Inventor: **Tracy Beaty**, Portland, OR (US)

(73) Assignee: **Blount, Inc.**, Portland, OR (US)

(**) Term: **14 Years**

(21) Appl. No.: **29/336,640**

(22) Filed: **May 6, 2009**

(51) **LOC (9) Cl.** **09-03**

(52) **U.S. Cl.** **D9/415**

(58) **Field of Classification Search** D9/702,
D9/711, 715, 717, 718, 721, 722, 737, 414,
D9/415, 418, 420, 421, 424, 425, 434, 435,
D9/436, 443, 444, 455-457, 499; 206/209,
206/349, 372-379, 361-362.4, 461-471,
206/806

See application file for complete search history.

(56) **References Cited**

U.S. PATENT DOCUMENTS

3,800,998	A *	4/1974	Gask	229/406
4,383,607	A *	5/1983	Lordahl et al.	206/459.5
4,423,811	A *	1/1984	Knapp	206/362.3
4,619,364	A *	10/1986	Czopor, Jr.	206/379
4,884,718	A *	12/1989	Leahy	220/835
D383,843	S *	9/1997	Griffin	D24/176
D393,545	S *	4/1998	Fernandes	D4/199
5,829,593	A *	11/1998	Appleton	206/454
D401,765	S *	12/1998	Soutullo	D4/199
D492,849	S *	7/2004	Goulet et al.	D4/199
6,793,074	B2 *	9/2004	Anderson et al.	206/349
D515,438	S *	2/2006	Baranowski et al.	D9/737
D559,549	S *	1/2008	Phillips et al.	D4/199
D599,654	S *	9/2009	Kosaka et al.	D9/415

* cited by examiner

Primary Examiner—Catherine Tuttle

(74) *Attorney, Agent, or Firm*—Schwabe Williamson & Wyatt

(57) **CLAIM**

I claim the ornamental design for the packaging container, as shown and described.

DESCRIPTION

FIG. 1 is a rear perspective view showing my new design for a packaging container in association with a chainsaw guide bar shown in broken lines;

FIG. 2 is a front perspective view thereof;

FIG. 3 is a rear elevational view thereof;

FIG. 4 is a front elevational view thereof

FIG. 5 is a front perspective view of the opened design, with the associated chainsaw guide bar and chain loops shown in broken lines;

FIG. 6 is an elevational view of the opened design, with the associated chainsaw guide bar and chain loops shown in broken lines;

FIG. 7 is an enlarged scale top plan view of FIG. 6;

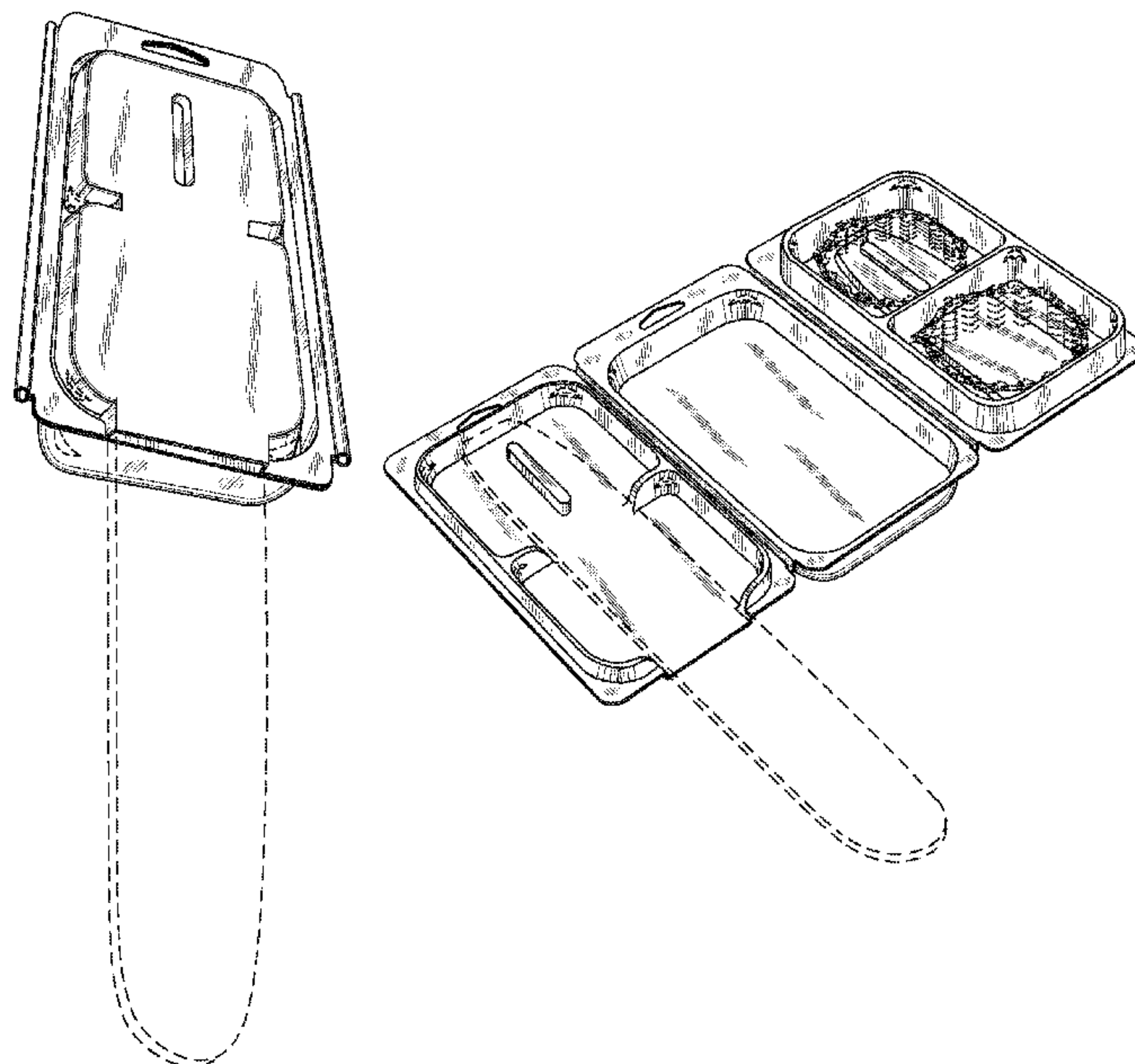
FIG. 8 is an enlarged scale bottom plan view of FIG. 6;

FIG. 9 is a perspective of the partially opened design; and,

FIG. 10 is a second perspective view showing the design in another partially opened condition.

The broken lines showing portions of the packaging container and the chainsaw guide bar and chain loops associated with the packaging container are for illustrative purposes only and form no part of the claimed design.

1 Claim, 4 Drawing Sheets



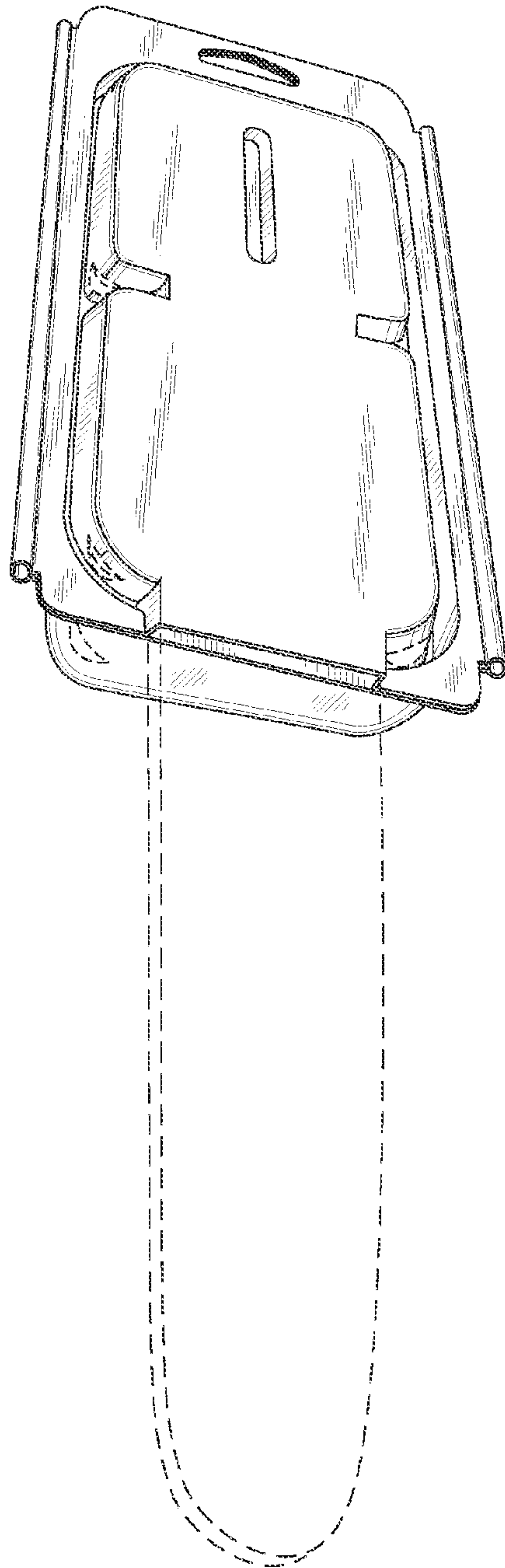


FIG. 1

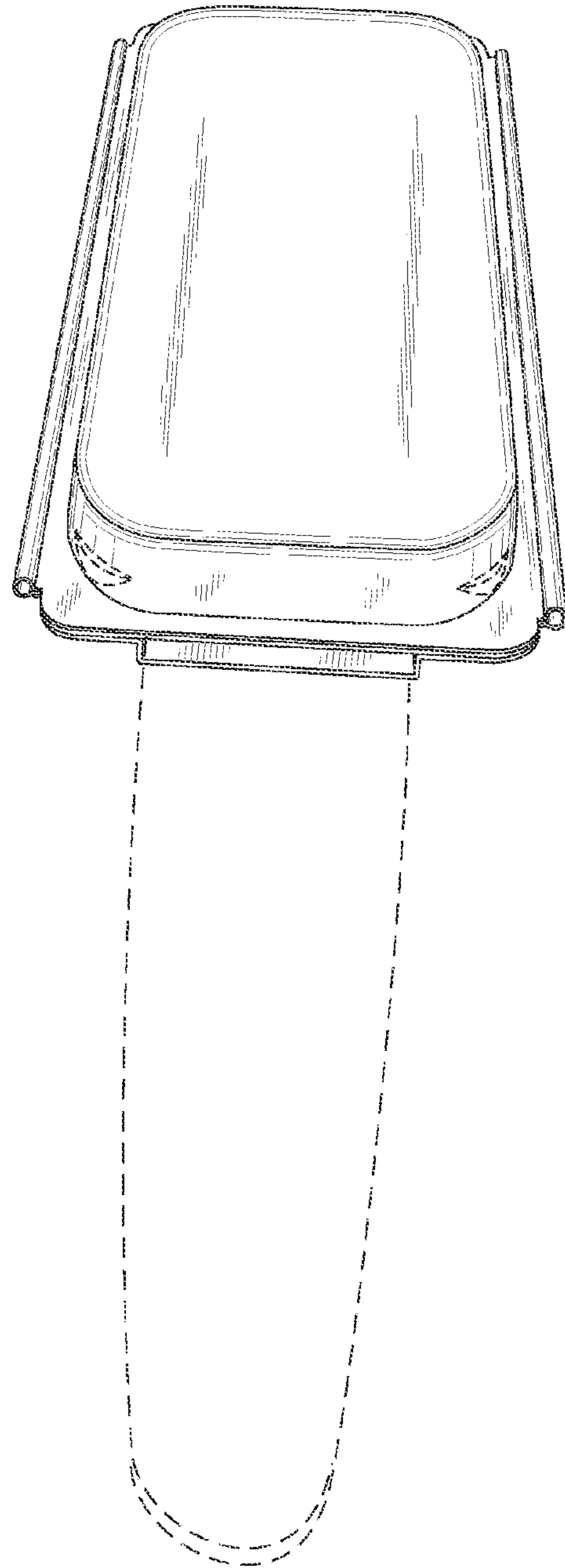


FIG. 2

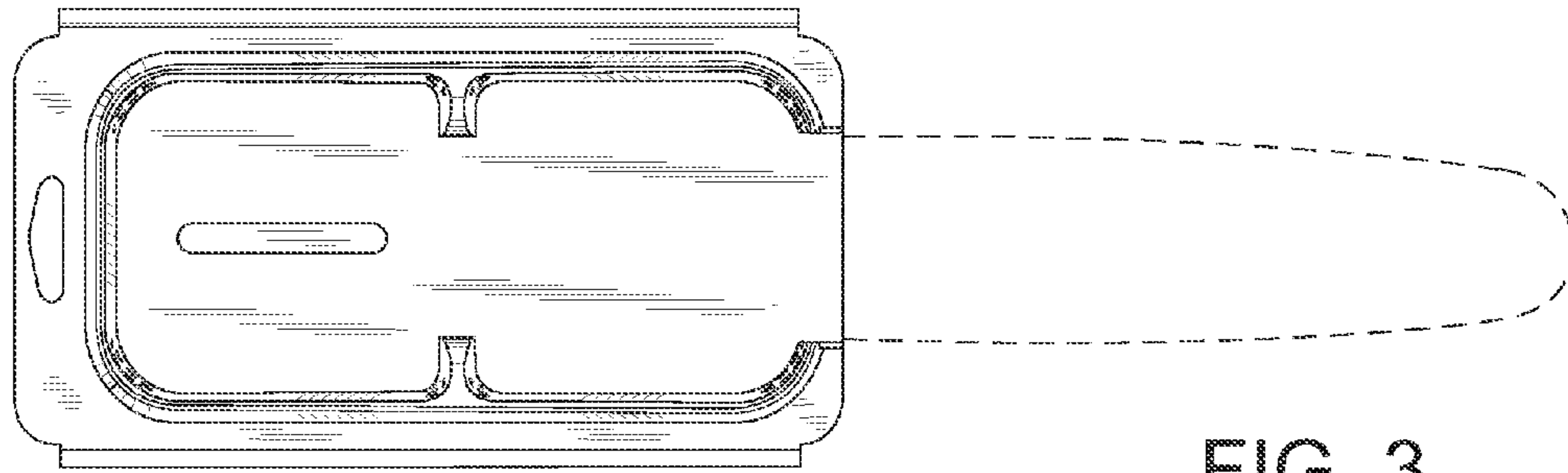


FIG. 3

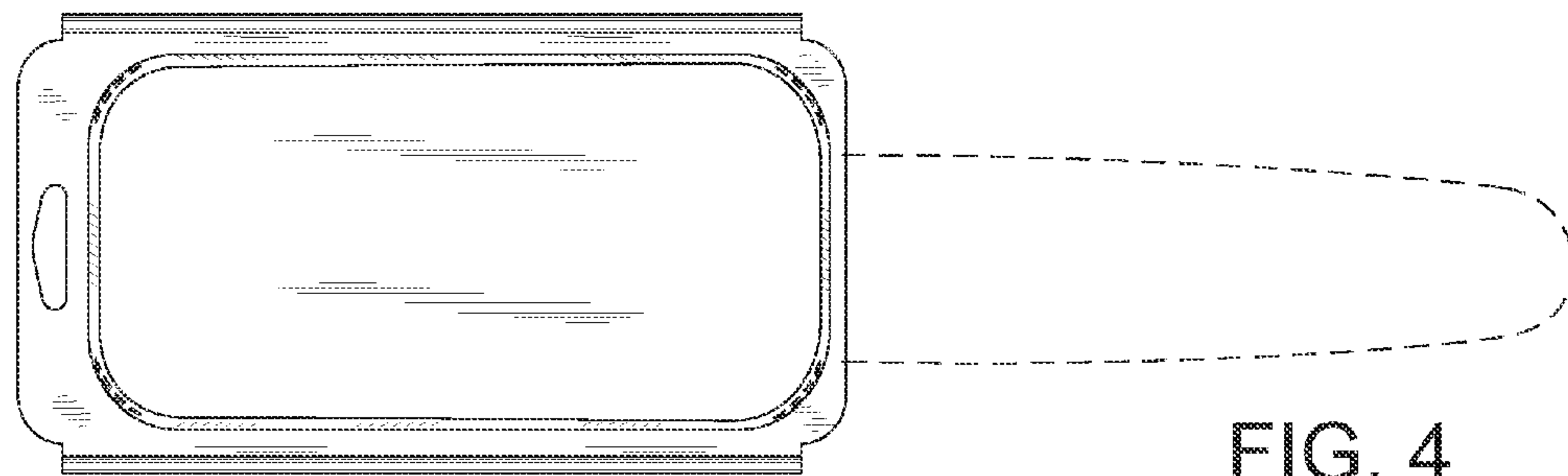


FIG. 4

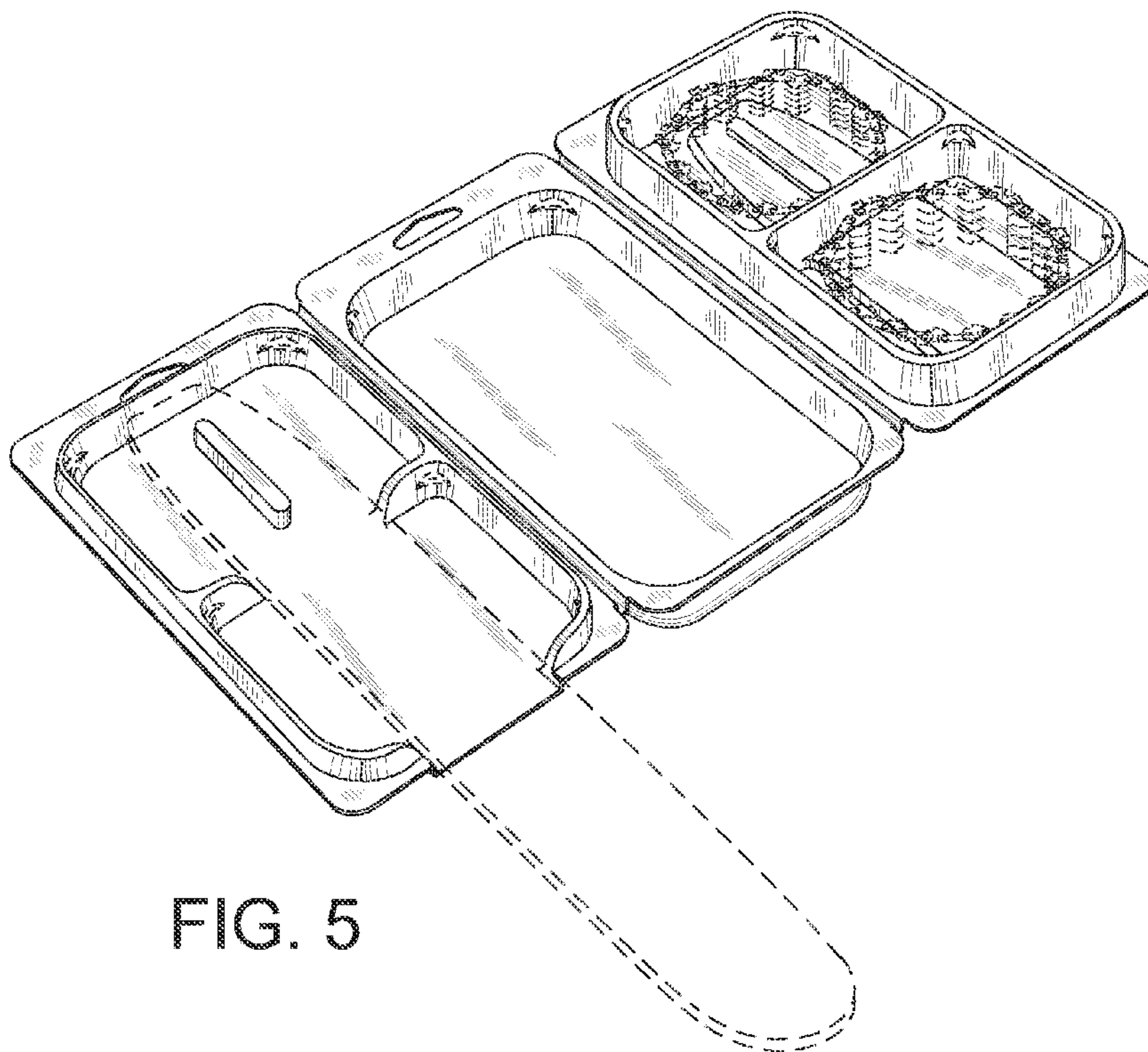


FIG. 5

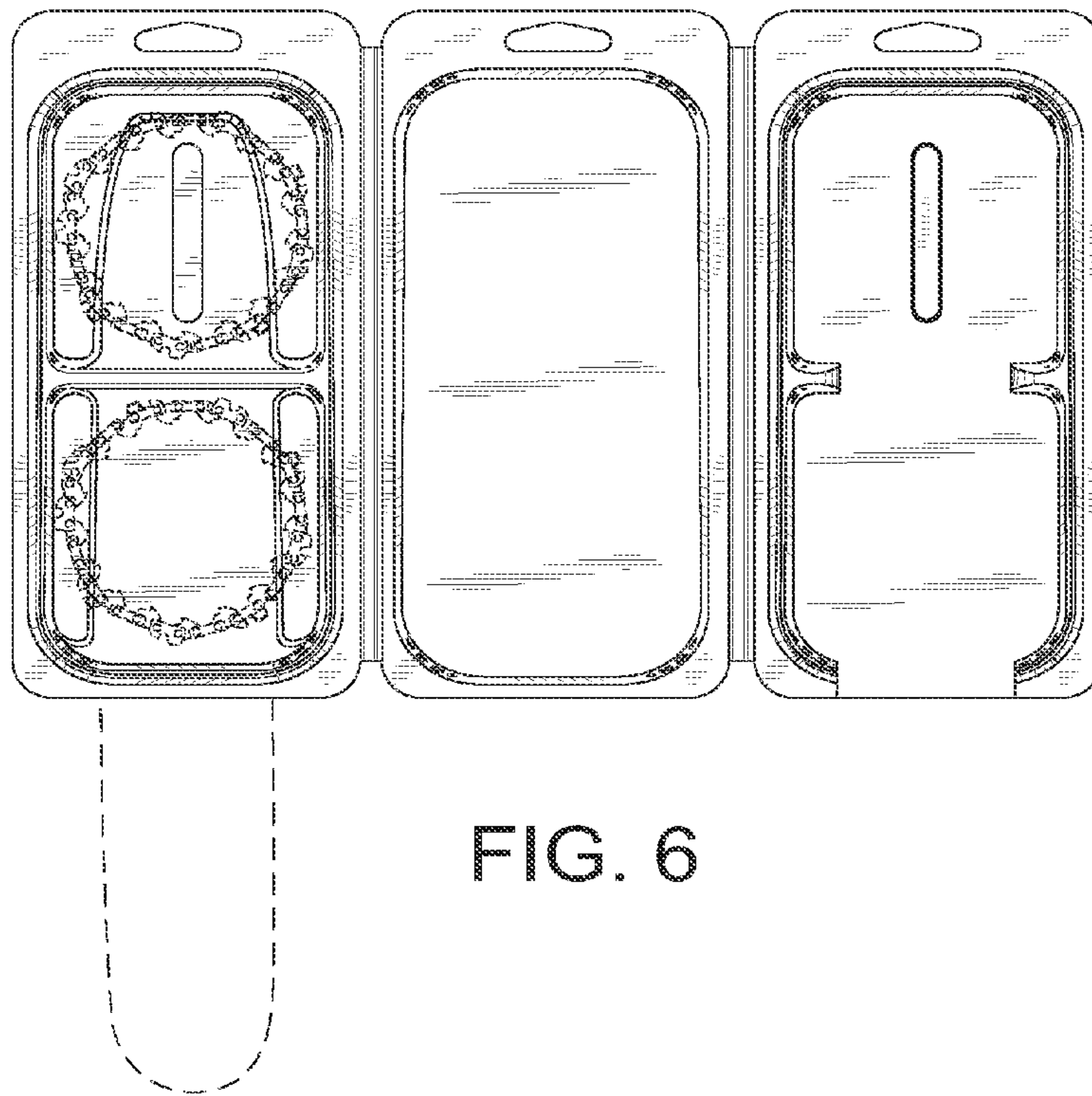


FIG. 6

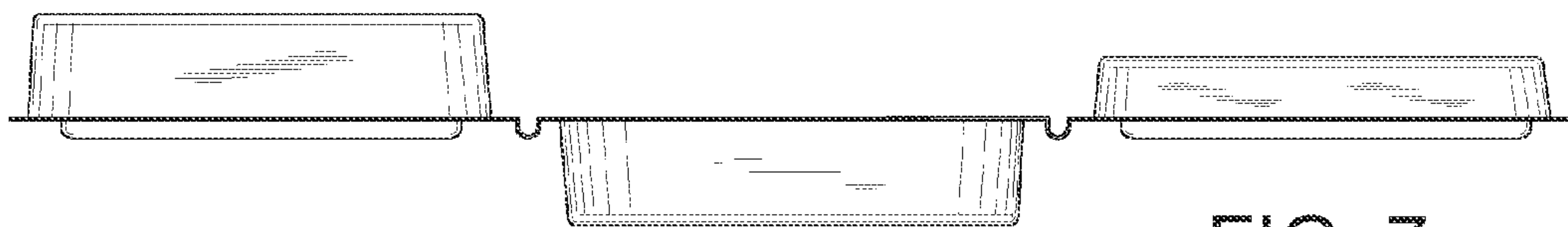


FIG. 7

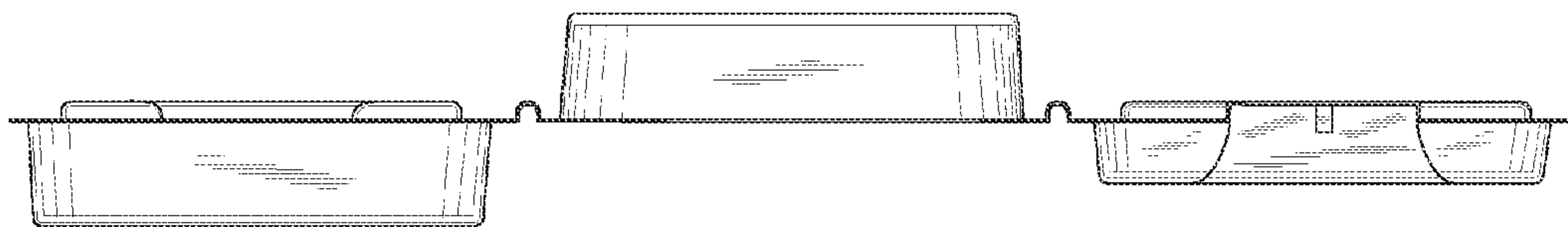


FIG. 8

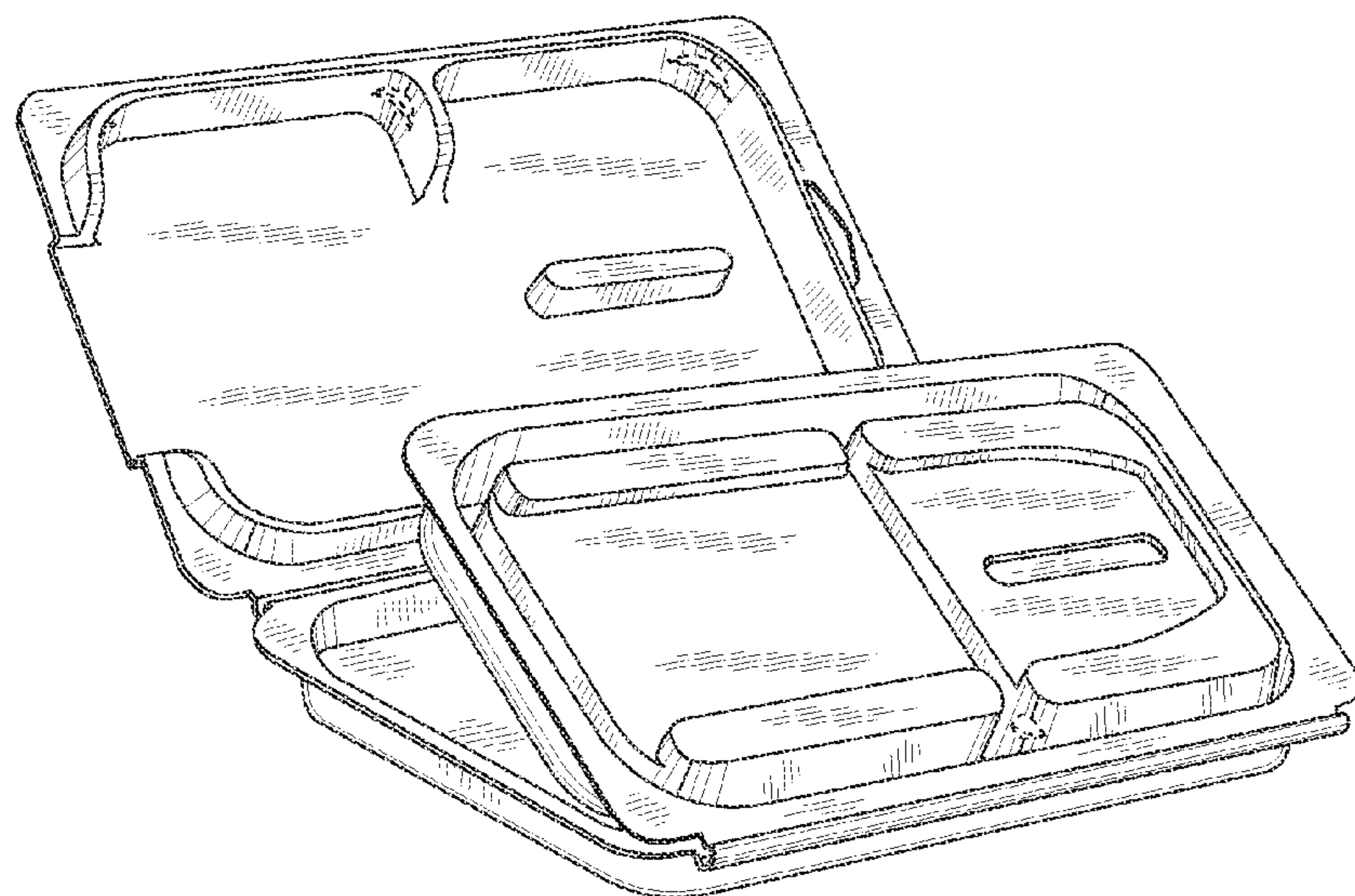


FIG. 9

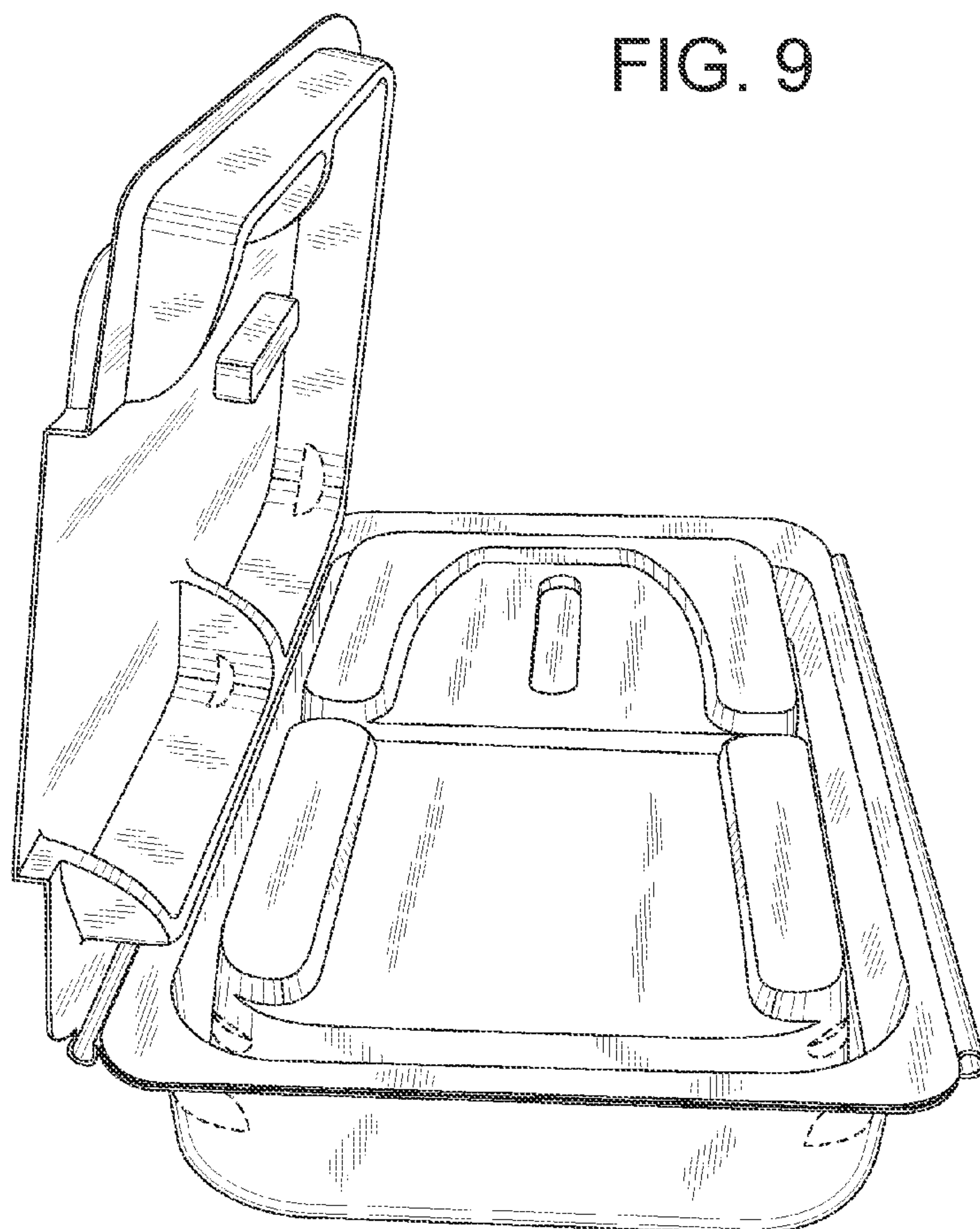


FIG. 10