



US00D628057S

(12) **United States Design Patent**  
**Benne et al.**

(10) **Patent No.:** **US D628,057 S**  
(45) **Date of Patent:** **\*\* Nov. 30, 2010**

(54) **HOOKING SYSTEM**

FOREIGN PATENT DOCUMENTS

(75) Inventors: **Leonard Theodoor Benne**, Gouda (NL);  
**Raymond Vonk**, Vleuten (NL)

DE G 8701177.8 1/1987

(73) Assignee: **Flamco B.V.** (NL)

(Continued)

(\*\*) Term: **14 Years**

*Primary Examiner*—Celia A Murphy  
*Assistant Examiner*—John Windmuller

(21) Appl. No.: **29/344,281**

(74) *Attorney, Agent, or Firm*—Ryan A. Schneider, Esq.;  
Troutman Sanders, LLP

(22) Filed: **Sep. 25, 2009**

(30) **Foreign Application Priority Data**

(57) **CLAIM**

Mar. 25, 2009 (EM) ..... 001112304-0001

The ornamental design for hooking system, as shown and described.

(51) **LOC (9) Cl.** ..... **08-08**

(52) **U.S. Cl.** ..... **D8/394; D8/380**

(58) **Field of Classification Search** ..... D8/354,  
D8/366, 371, 380, 394; 24/22, 67 R, 20 S,  
24/115 R, 546, 563, 910, 343, 67.9; 248/72,  
248/74.2, 215, 227.1, 49, 300, 301, 316.7,  
248/51, 489

**DESCRIPTION**

See application file for complete search history.

FIG. 1 is a bottom perspective view of the present invention, wherein it is shown in engagement with a rail of a hanging system;

(56) **References Cited**

U.S. PATENT DOCUMENTS

- 3,029,055 A \* 4/1962 Smith ..... 248/228.3
- 3,131,447 A \* 5/1964 Tinnerman ..... 248/231.81
- 3,431,585 A \* 3/1969 Foltz ..... 16/94 D
- 3,536,281 A \* 10/1970 Attore et al. .... 248/73
- D237,775 S \* 11/1975 Hitomi ..... D8/356
- 3,919,457 A \* 11/1975 Steiner ..... 174/491
- 3,966,155 A \* 6/1976 Meyer ..... 248/73
- 4,334,659 A \* 6/1982 Yuda ..... 248/73
- 4,479,625 A \* 10/1984 Martz ..... 248/74.1
- 4,685,714 A \* 8/1987 Hoke ..... 294/81.2
- 4,958,792 A \* 9/1990 Rinderer ..... 248/74.2
- 5,108,055 A \* 4/1992 Kreinberg et al. .... 248/71
- D340,226 S \* 10/1993 Sachs ..... D13/154
- 5,335,890 A \* 8/1994 Pryor et al. .... 248/343
- 5,529,268 A \* 6/1996 Wright ..... 248/67.7

FIG. 2 is a side view of the present invention;

FIG. 3 is a bottom view of the present invention, wherein it is shown in engagement with a rail of a hanging system;

FIG. 4 is a front view of the present invention, wherein it is shown in engagement with a rail of a hanging system;

FIG. 5 is a right side perspective view of the present invention, wherein it is shown in engagement with a rail of a hanging system;

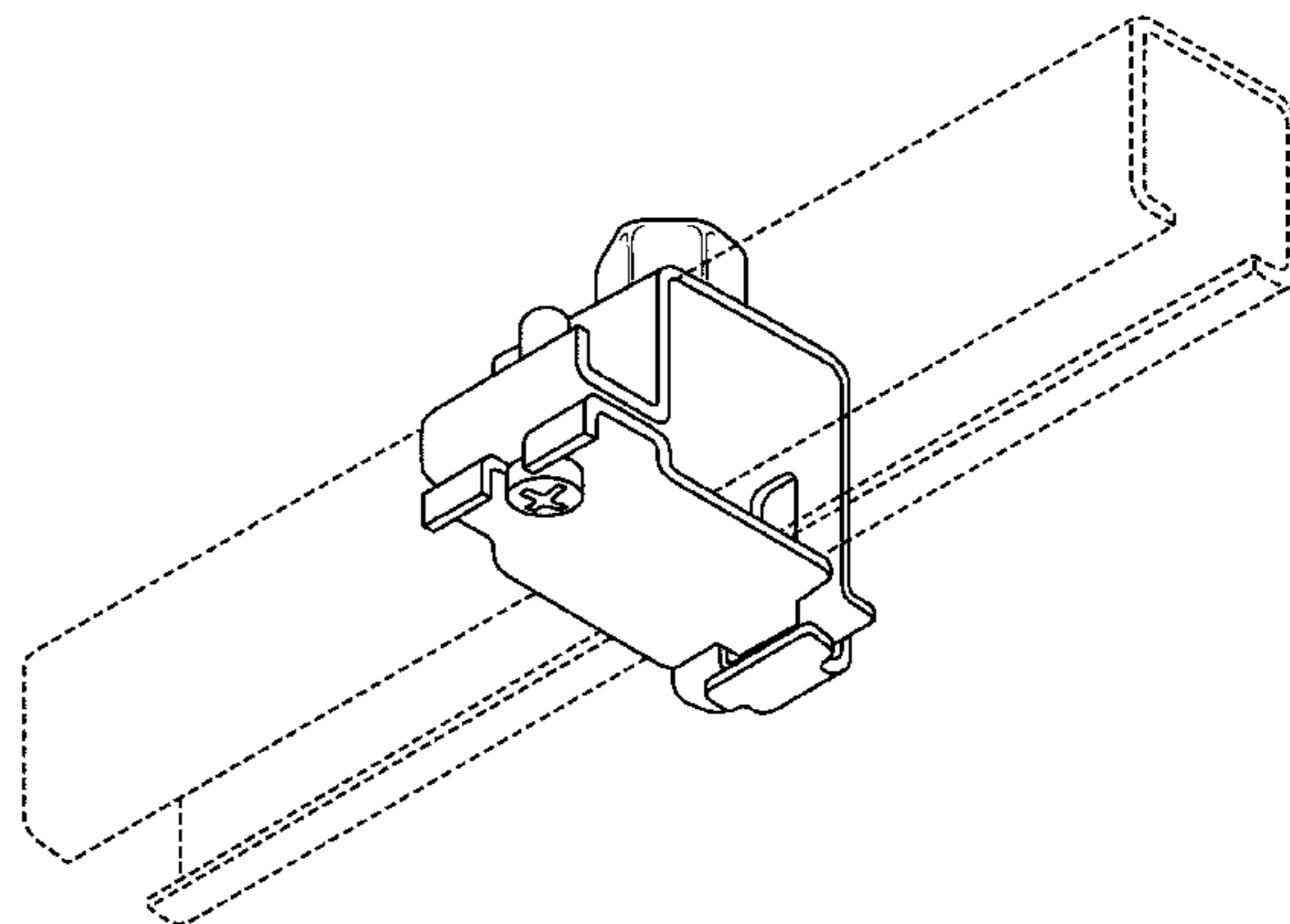
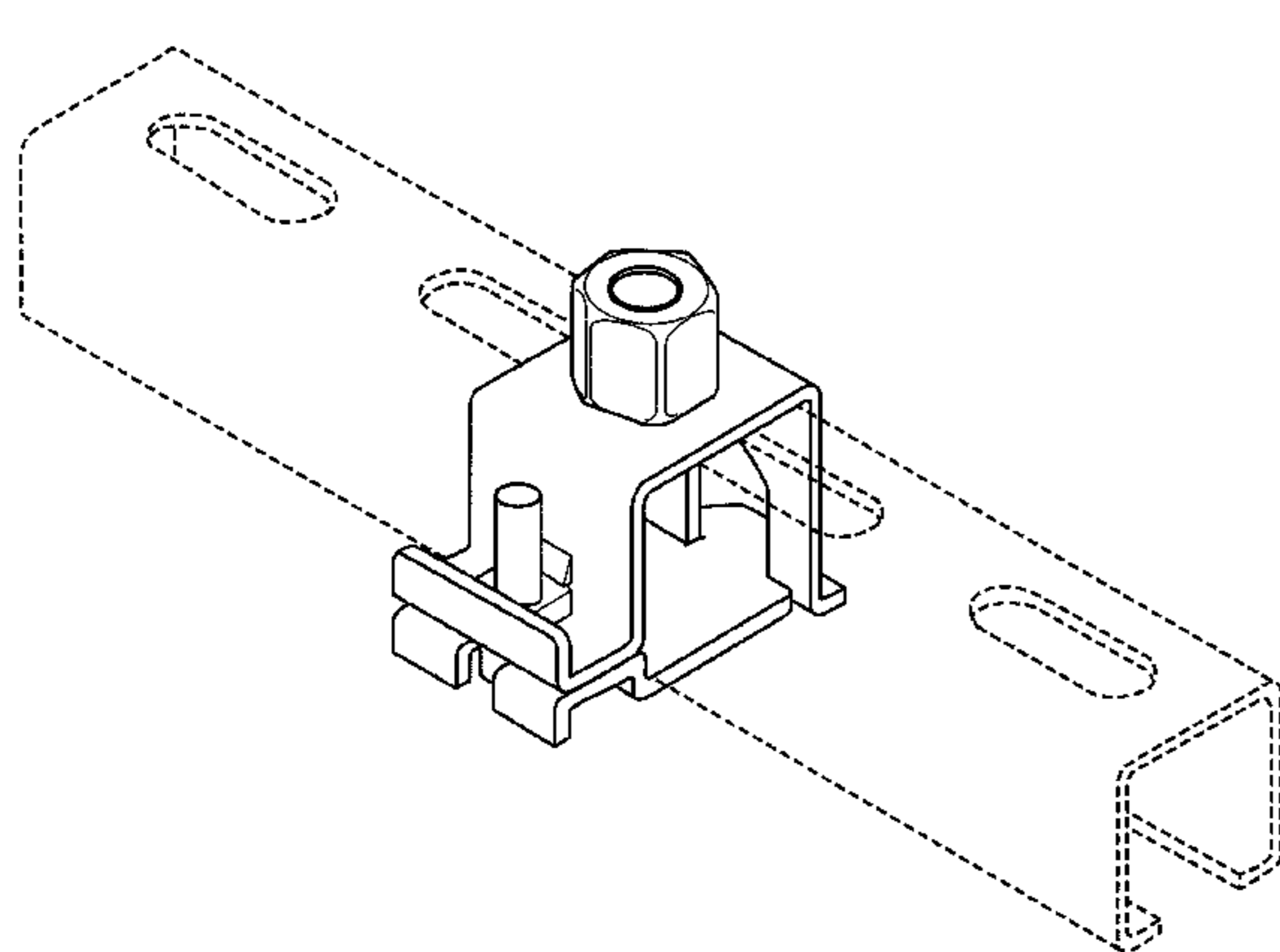
FIG. 6 is a left side perspective view of the present invention, wherein it is shown in engagement with a rail of a hanging system; and,

FIG. 7 is a bottom right side perspective view of the present invention, wherein it is shown in engagement with a rail of a hanging system.

The broken lines are for the purpose of illustrating environment and form no part of the claimed design.

(Continued)

**1 Claim, 7 Drawing Sheets**



# US D628,057 S

Page 2

---

## U.S. PATENT DOCUMENTS

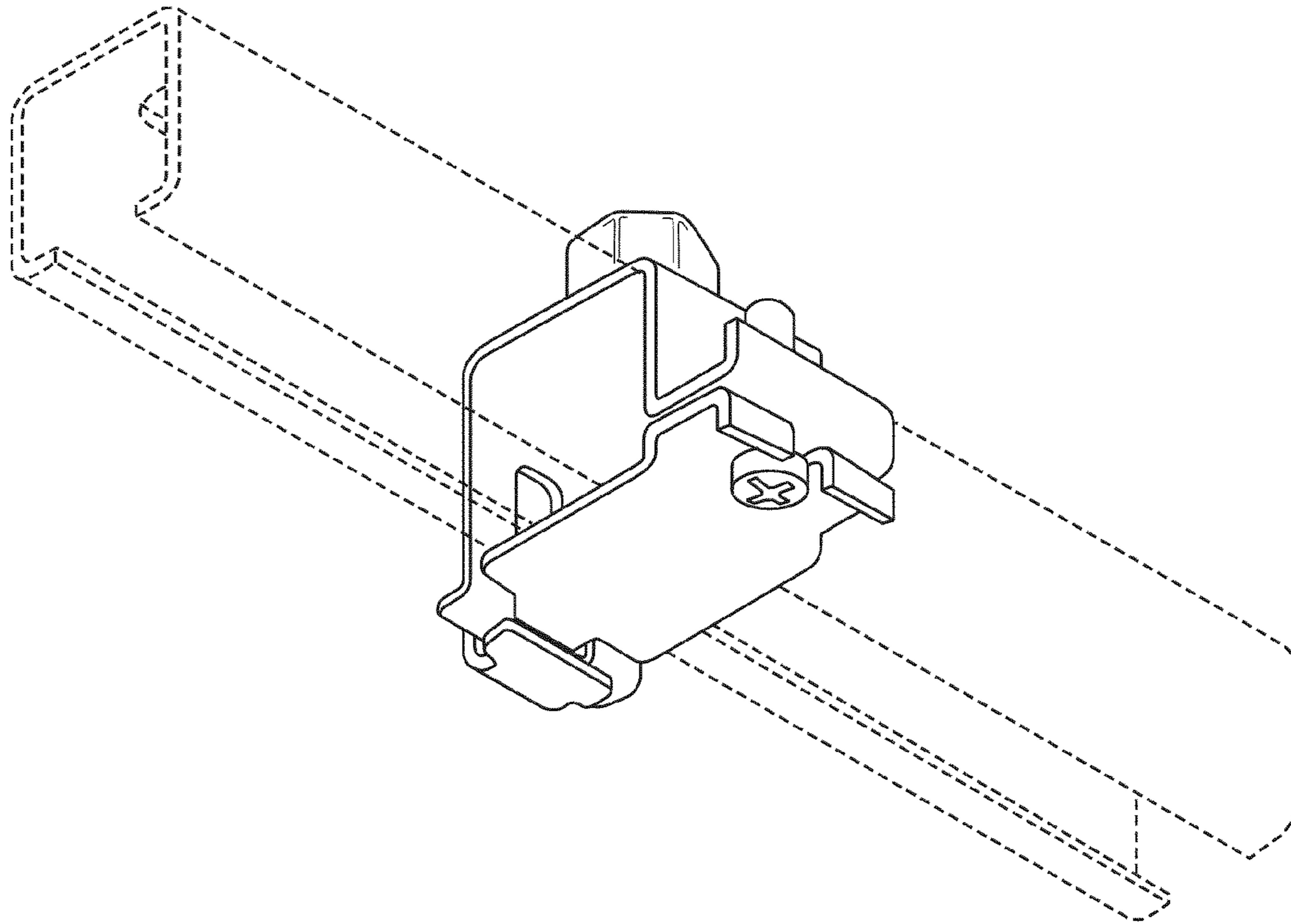
5,624,202 A \* 4/1997 Grierson ..... 403/327  
D473,124 S \* 4/2003 Wu et al. .... D8/356  
D473,448 S \* 4/2003 Wu et al. .... D8/356  
D484,399 S \* 12/2003 Arthur ..... D8/394  
6,899,305 B2 \* 5/2005 Korczak et al. .... 248/68.1  
D513,171 S \* 12/2005 Richardson ..... D8/394  
7,032,871 B1 \* 4/2006 Akrep ..... 248/323  
D523,329 S \* 6/2006 Klippel et al. .... D8/394

7,090,174 B2 \* 8/2006 Korczak et al. .... 248/61  
7,097,142 B1 \* 8/2006 Schmidt ..... 248/68.1  
D535,291 S \* 1/2007 Chiang ..... D14/230  
D549,089 S \* 8/2007 Jun et al. .... D8/394  
2002/0005463 A1 \* 1/2002 Paske et al. .... 248/74.1

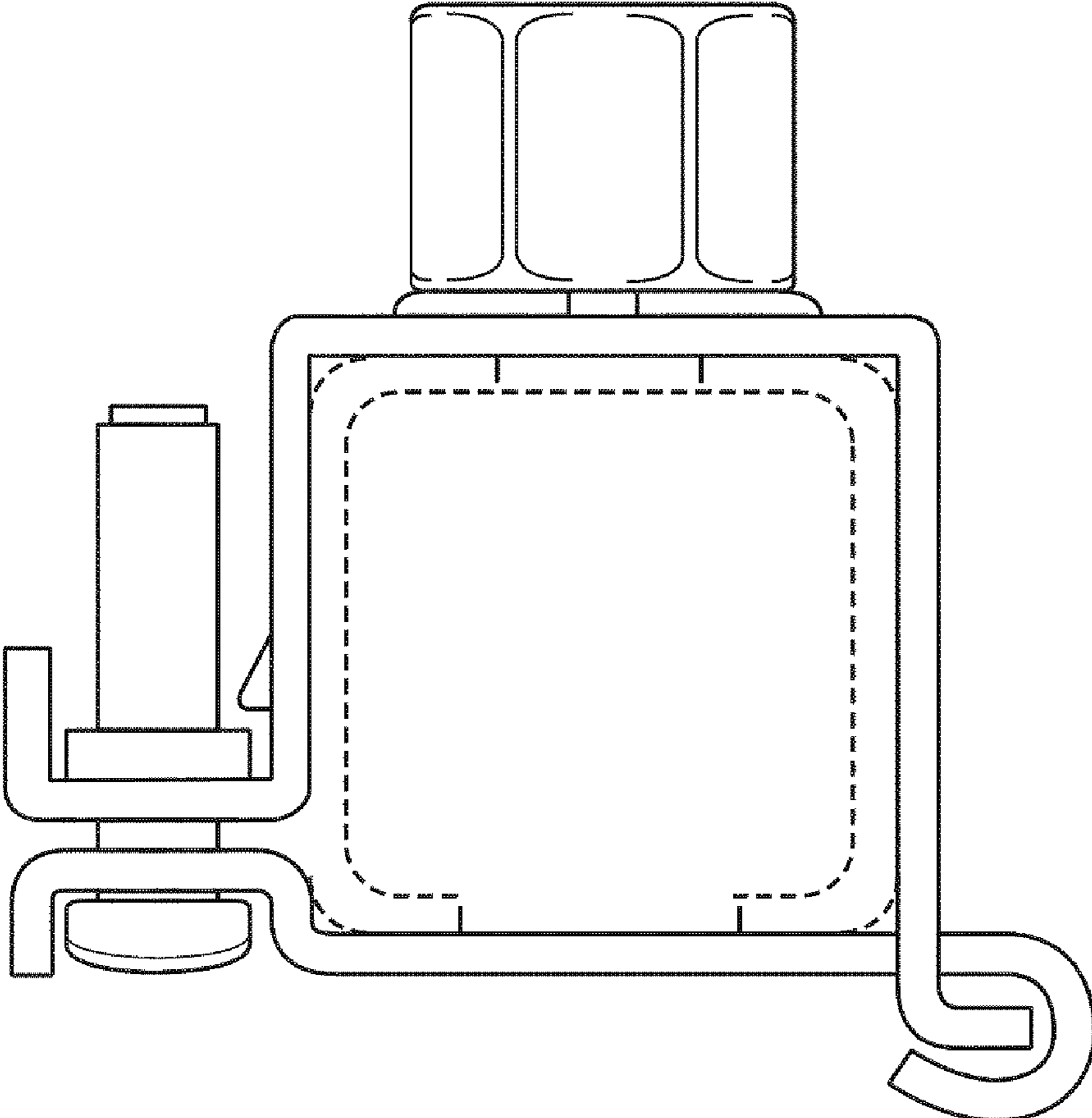
## FOREIGN PATENT DOCUMENTS

NL 17544-00 9/1988

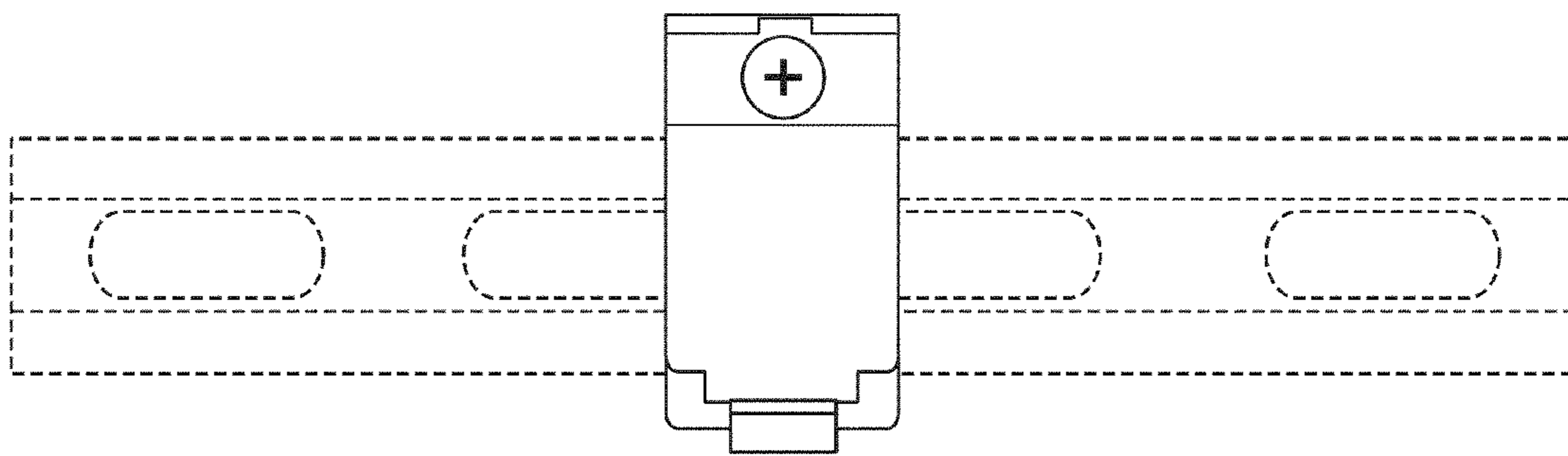
\* cited by examiner



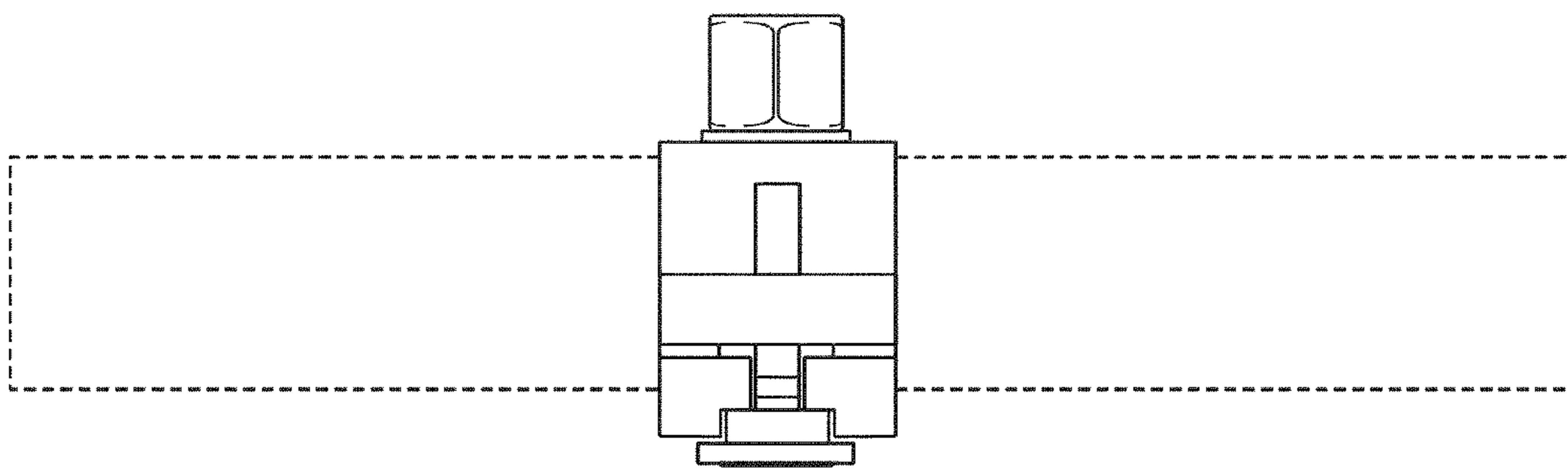
**Fig. 1**



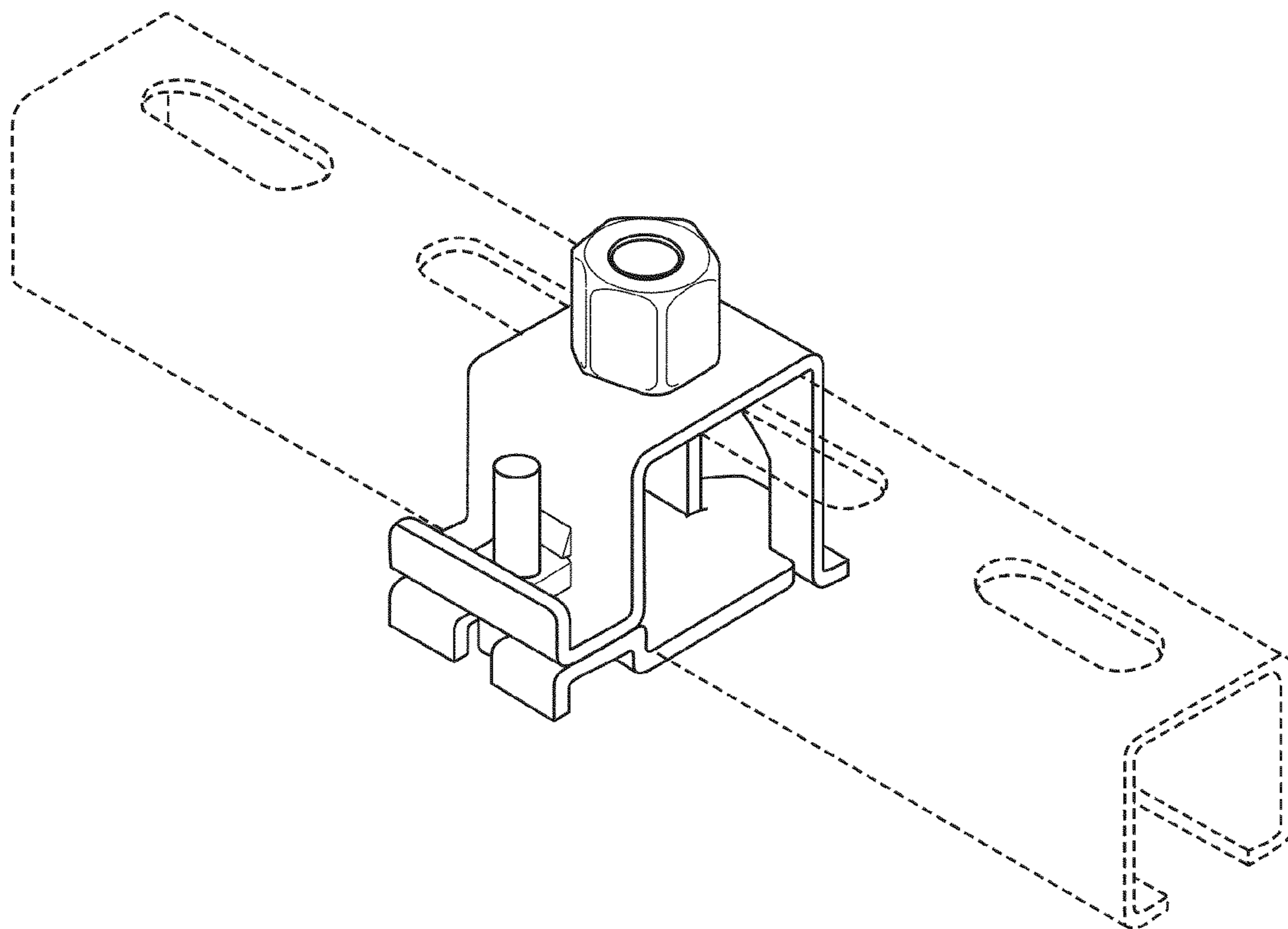
***Fig. 2***



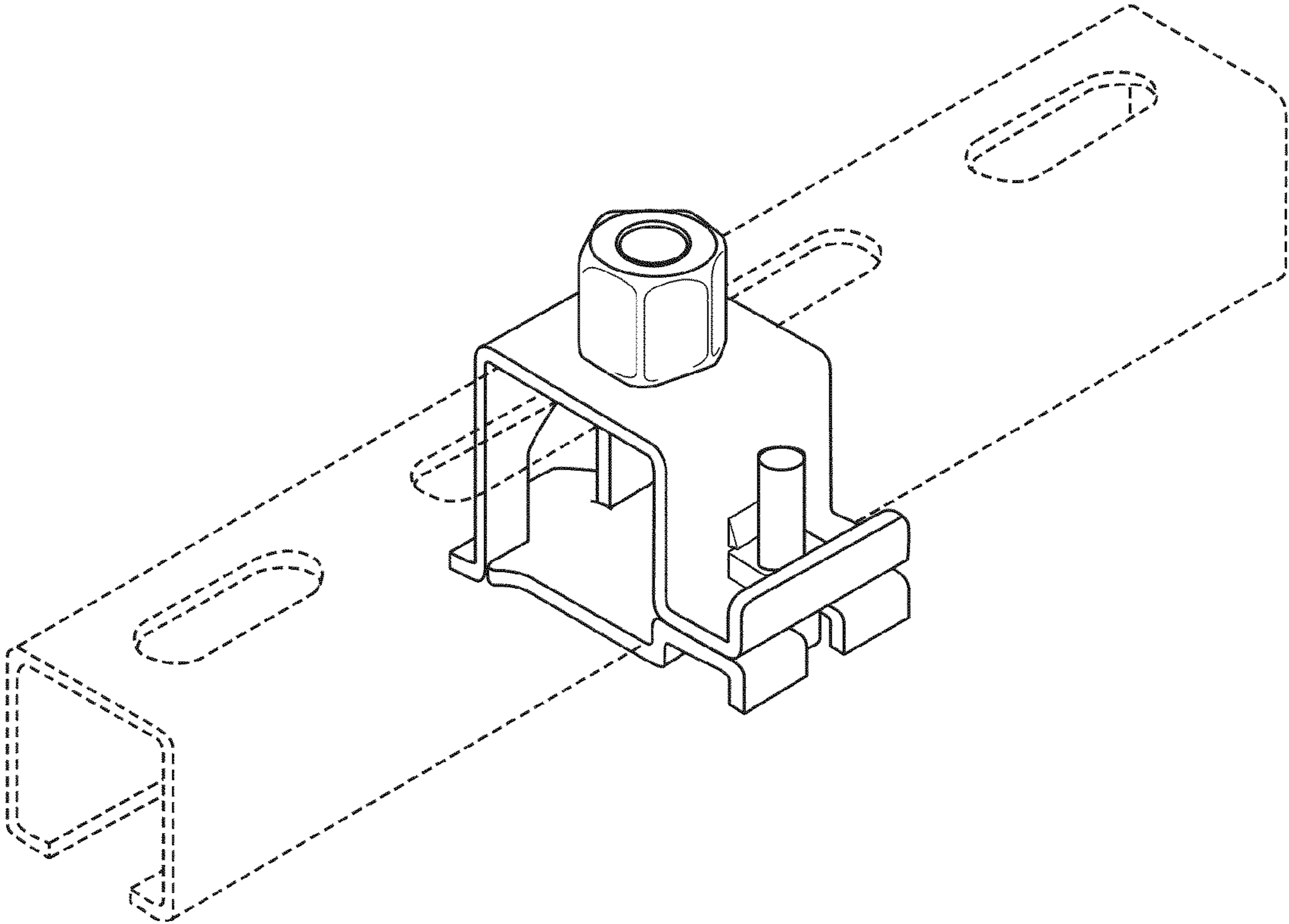
***Fig. 3***



***Fig. 4***

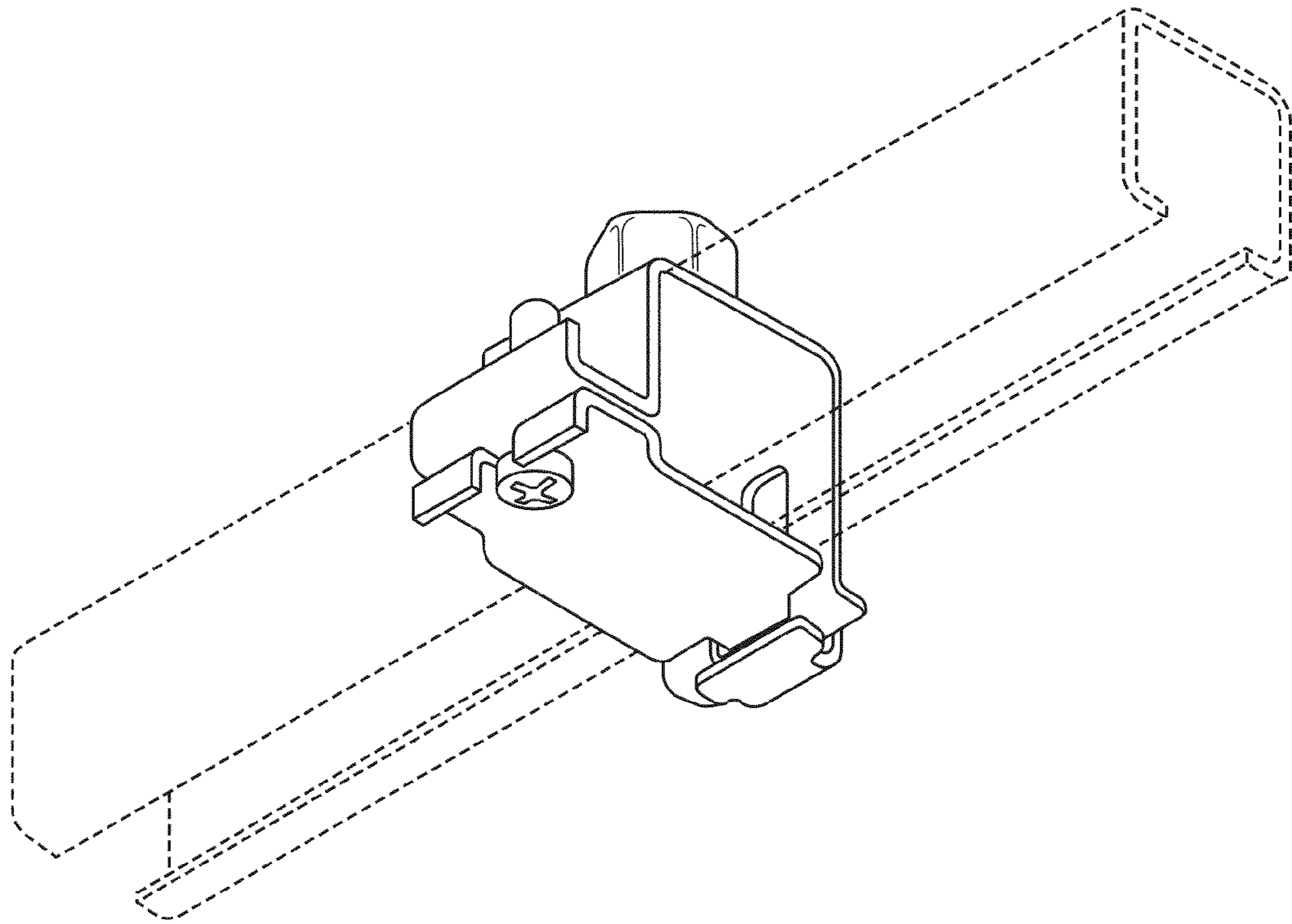


**Fig. 5**



**Fig. 6**





**Fig. 7**