



US00D628055S

(12) **United States Design Patent**
Mills

(10) **Patent No.:** **US D628,055 S**

(45) **Date of Patent:** **** Nov. 30, 2010**

(54) **FENCE RAIL ALIGNMENT FIXTURE**

D598,736 S * 8/2009 Wakasugi et al. D8/382

* cited by examiner

(76) Inventor: **Scott J. Mills**, 2811 Alton Dr.,
Kissimmee, FL (US) 34741-7729

Primary Examiner—Holly H Baynham

Assistant Examiner—Sheryl Lane

(74) *Attorney, Agent, or Firm*—William M. Hobby, III

(**) Term: **14 Years**

(21) Appl. No.: **29/316,651**

(57) **CLAIM**

(22) Filed: **Oct. 19, 2009**

The ornamental design for a fence rail alignment fixture, as shown and described.

(51) **LOC (9) Cl.** **08-08**

(52) **U.S. Cl.** **D8/382**

(58) **Field of Classification Search** D8/382,
D8/349, 395; D25/119; 403/363, 357, 381,
403/278, 279, 403; 405/70; 24/346, 573.09;
D23/262

See application file for complete search history.

DESCRIPTION

FIG. 1 is a top front perspective view of my new fence rail alignment fixture;

FIG. 2 is a bottom front perspective;

FIG. 3 is a front elevation;

FIG. 4 is a rear elevation;

FIG. 5 is a right side elevation, the left side elevation being a mirror image;

FIG. 6 is a top plan view;

FIG. 7 is a bottom plan view; and,

FIG. 8 is a sectional view taken on the line 8—8 of FIG. 6.

The broken line showing a portion of a fence post in FIG. 1 is for illustrative purposes and forms no part of the claimed design.

(56) **References Cited**

U.S. PATENT DOCUMENTS

D428,804 S * 8/2000 Benz et al. D8/382

6,499,725 B2 * 12/2002 Meis et al. 256/65.03

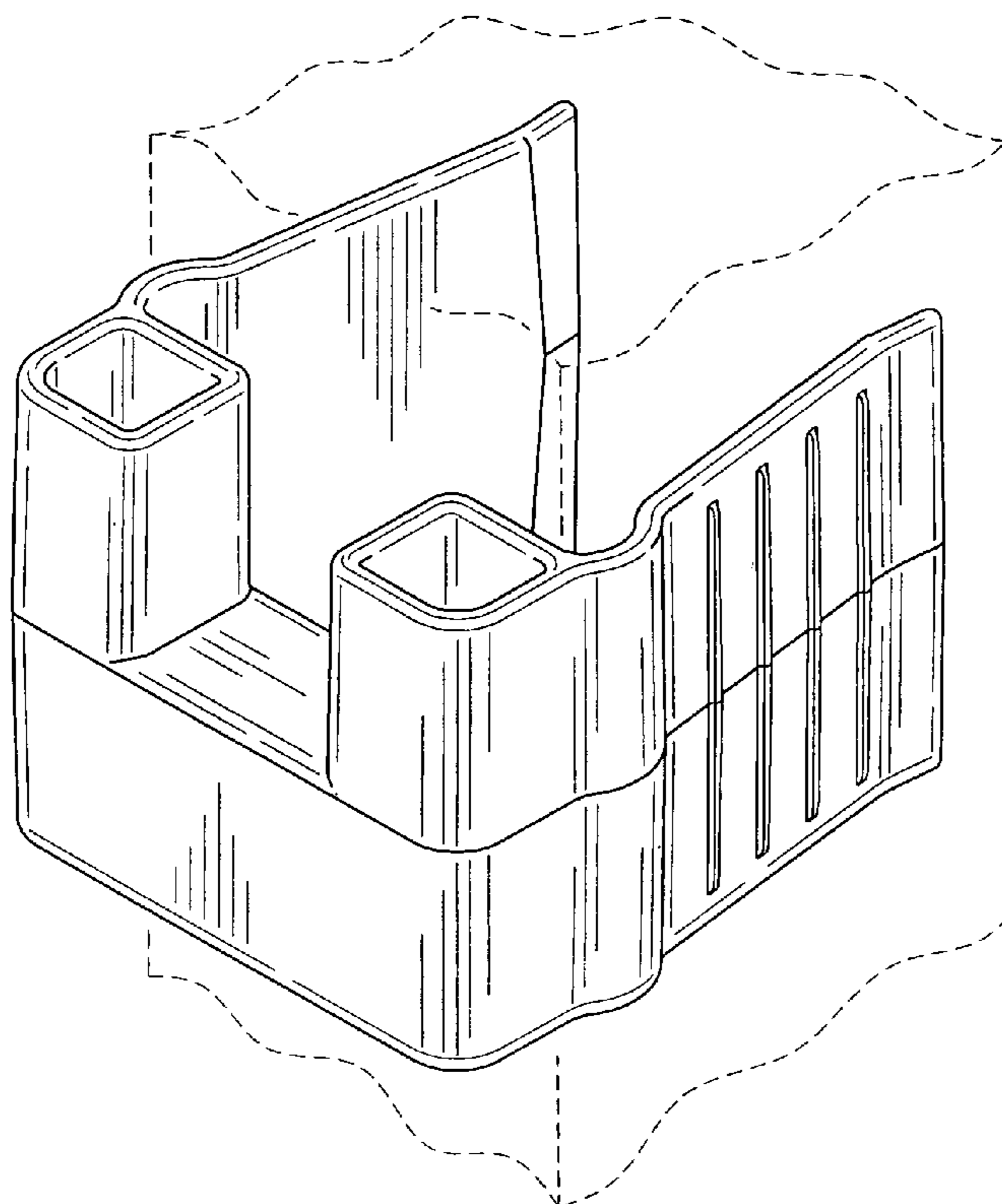
D469,338 S * 1/2003 Chace D8/349

D559,665 S * 1/2008 Terada et al. D8/382

D564,868 S * 3/2008 Terada et al. D8/382

D576,026 S * 9/2008 Mazzocco D8/382

1 Claim, 3 Drawing Sheets



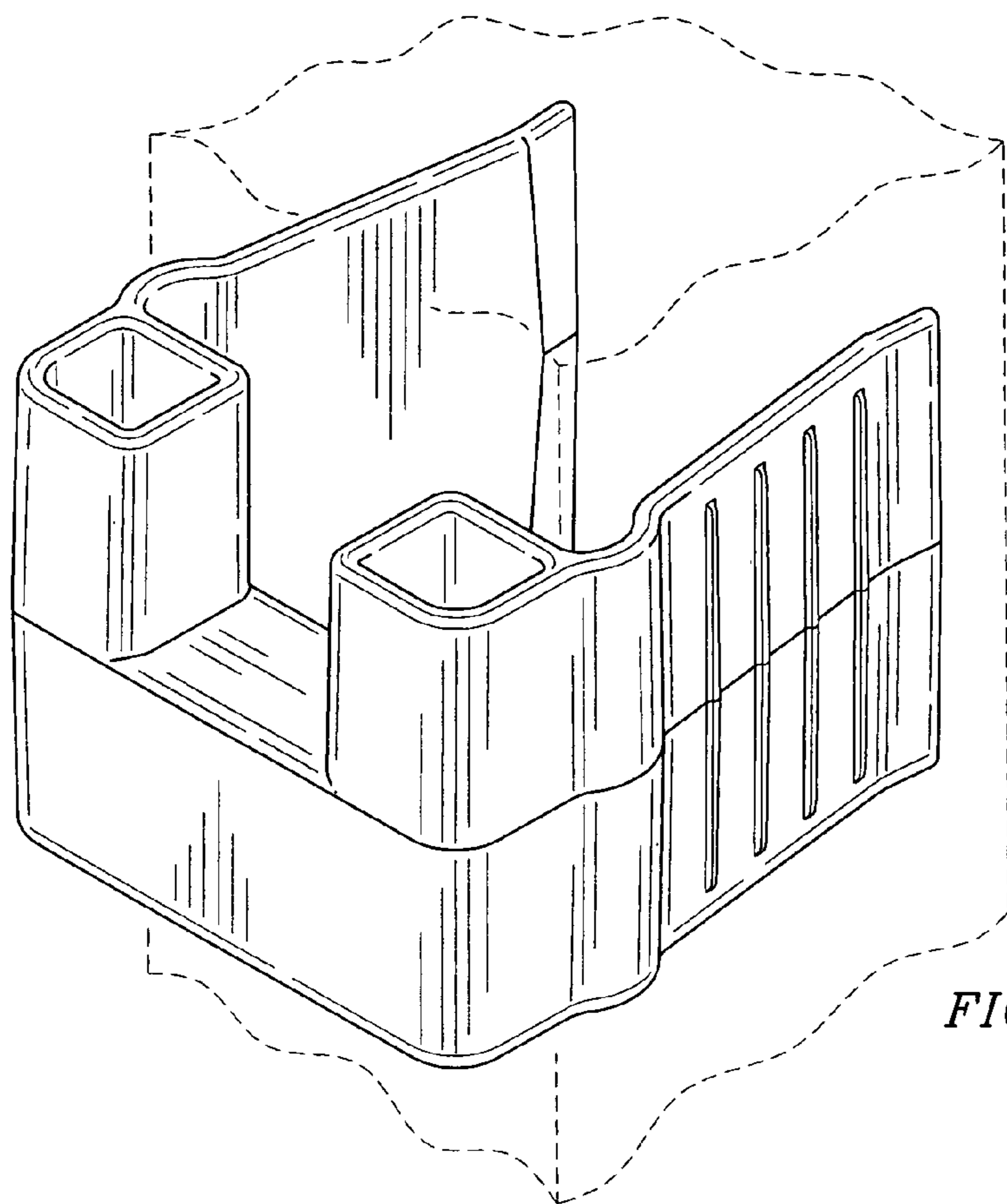


FIG. 1

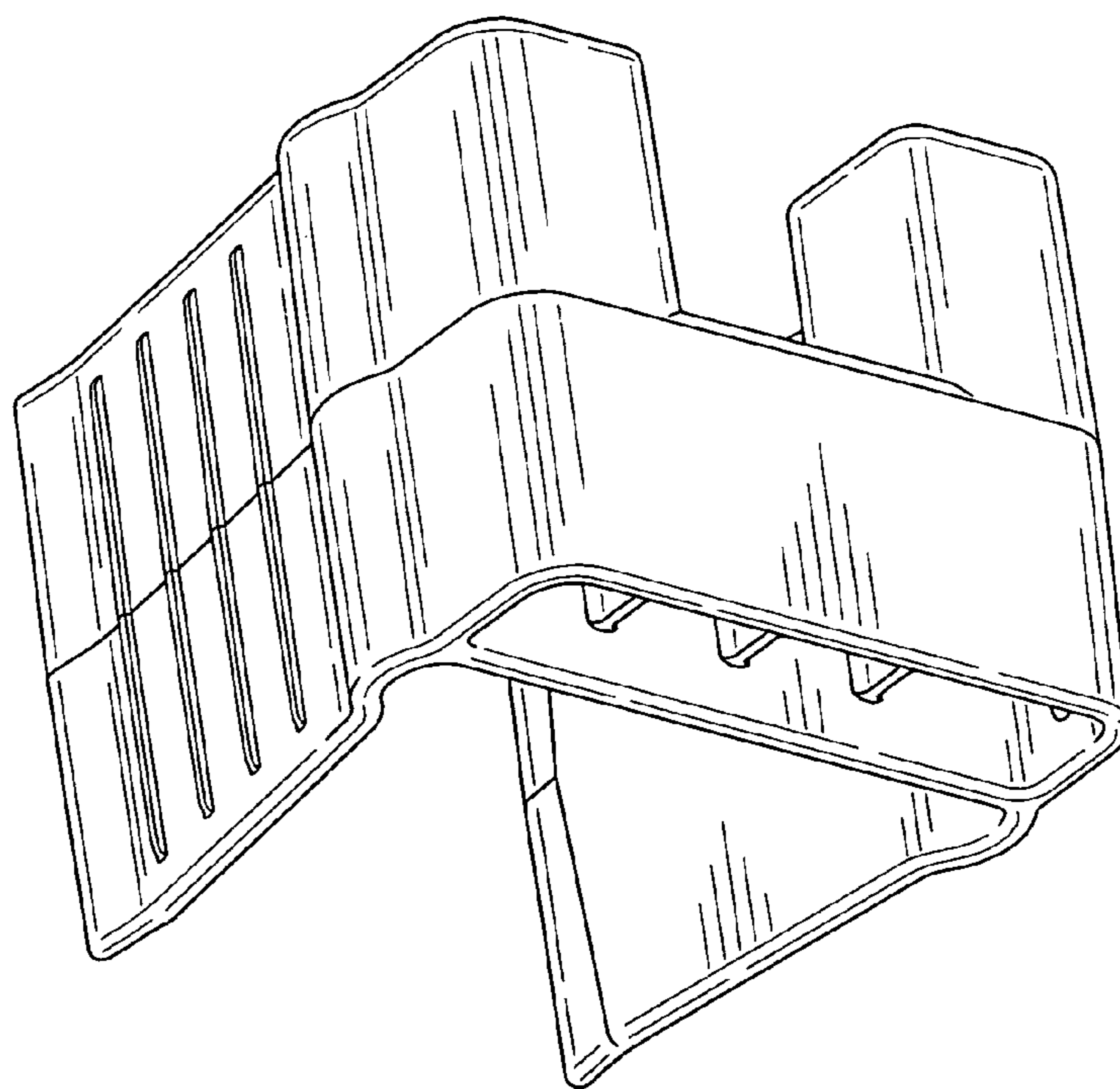


FIG. 2

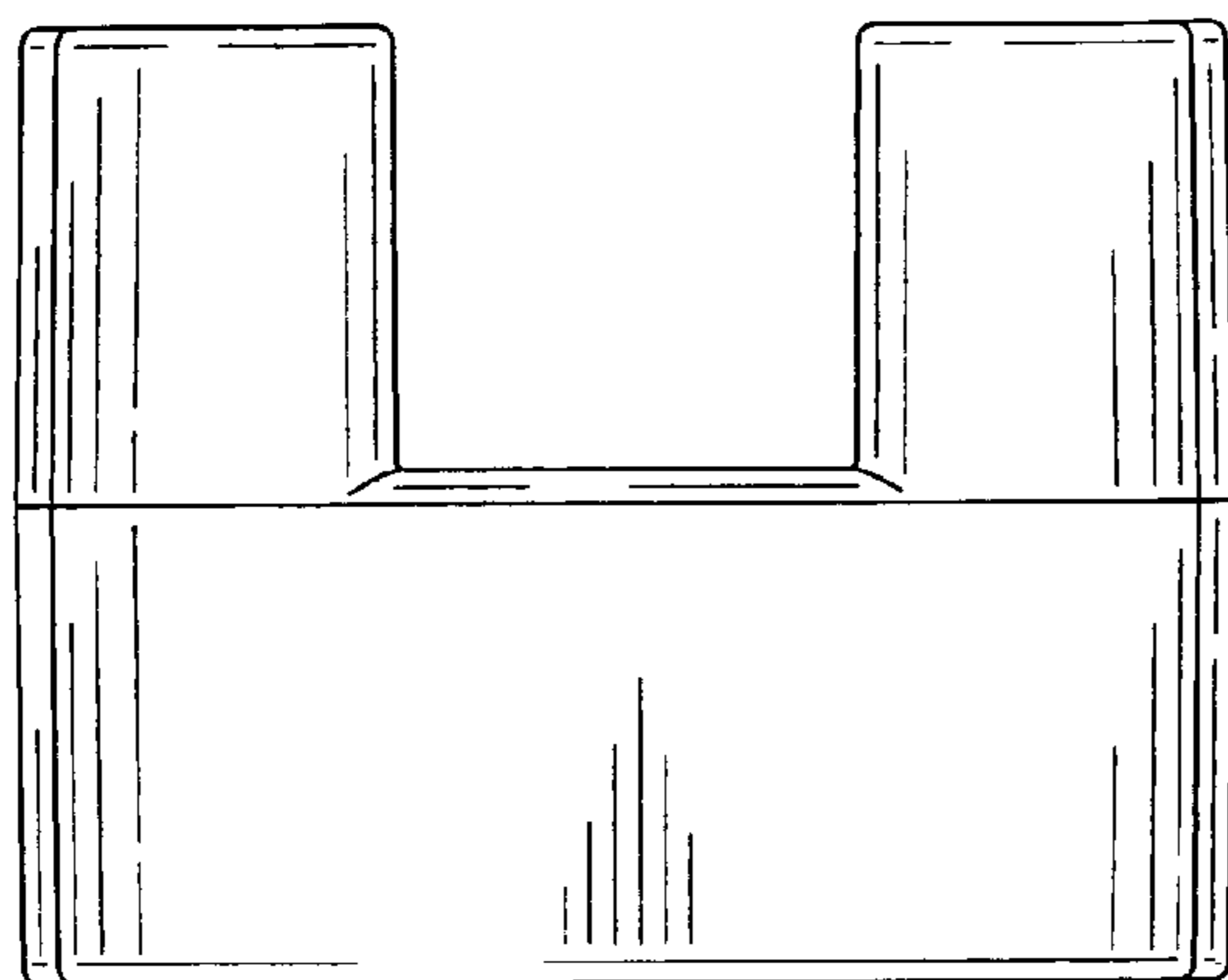


FIG. 3

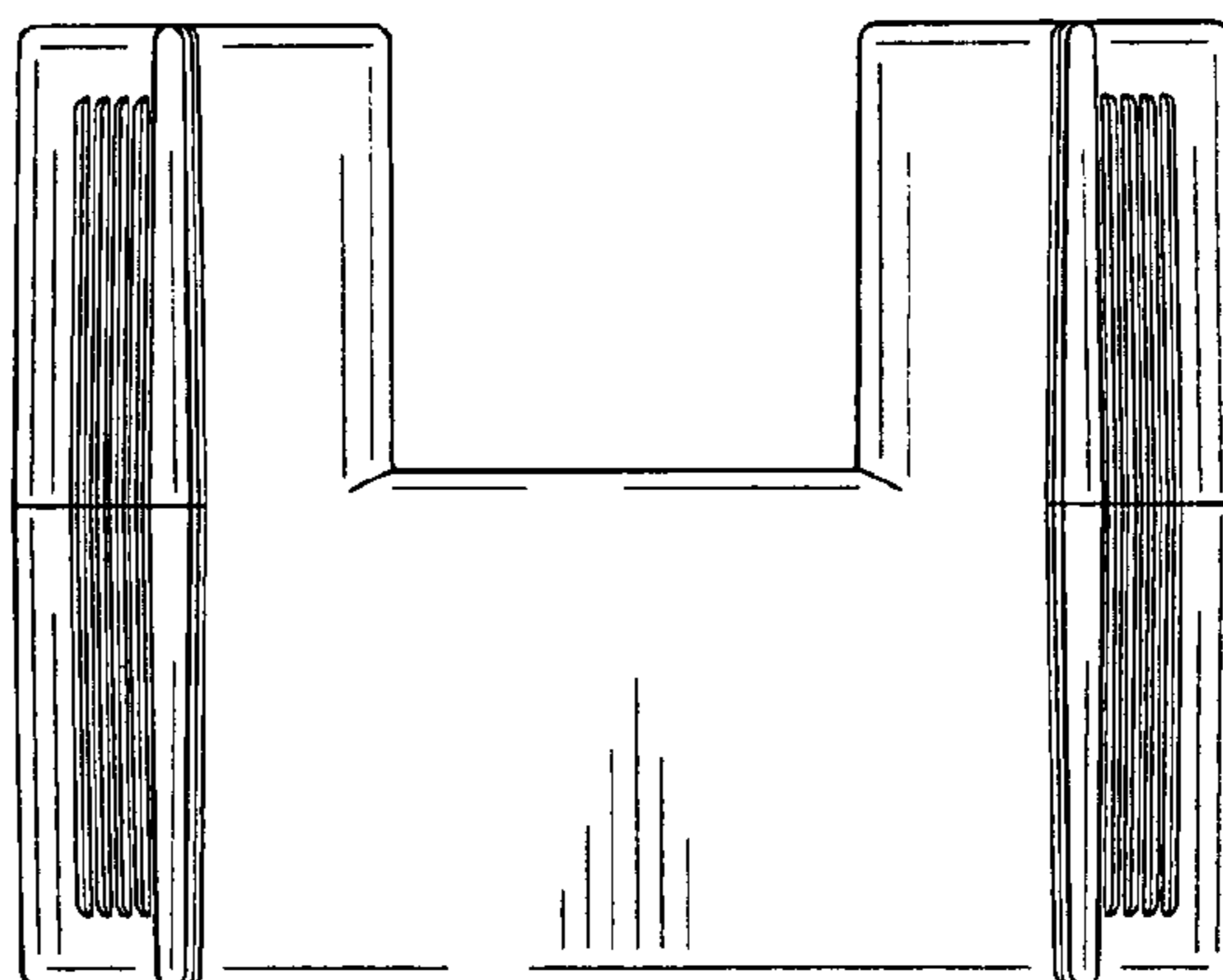


FIG. 4

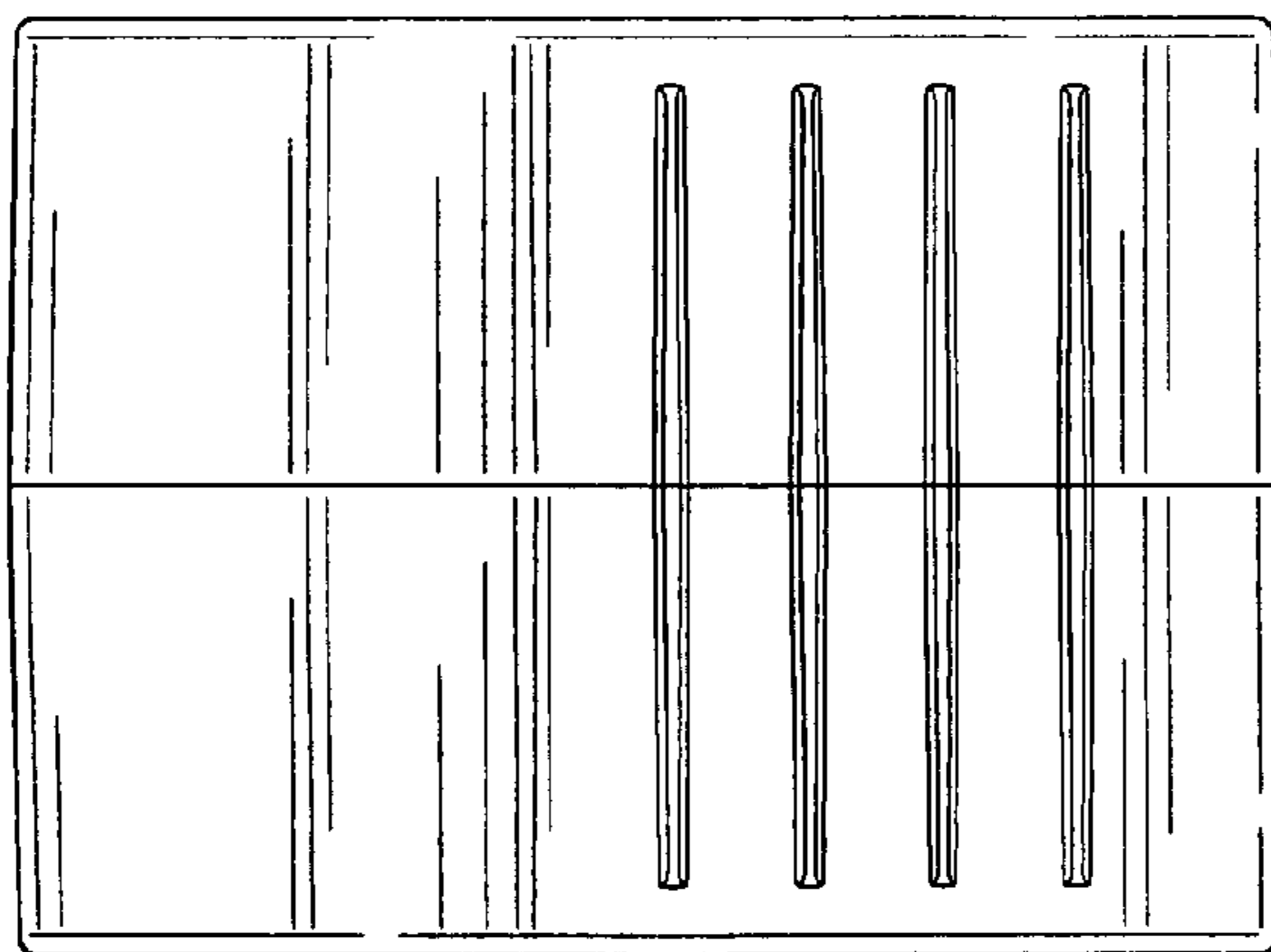


FIG. 5

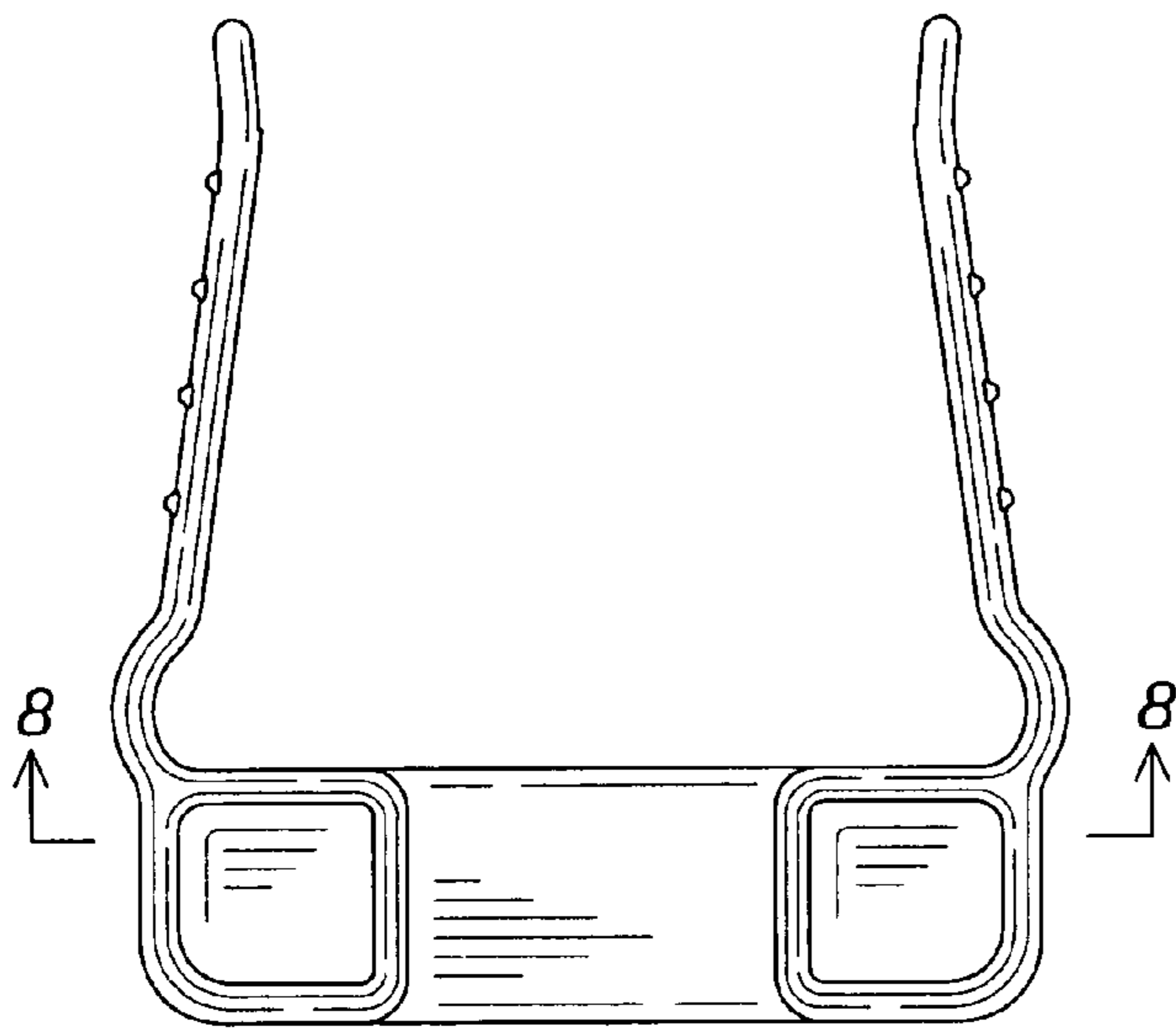


FIG. 7

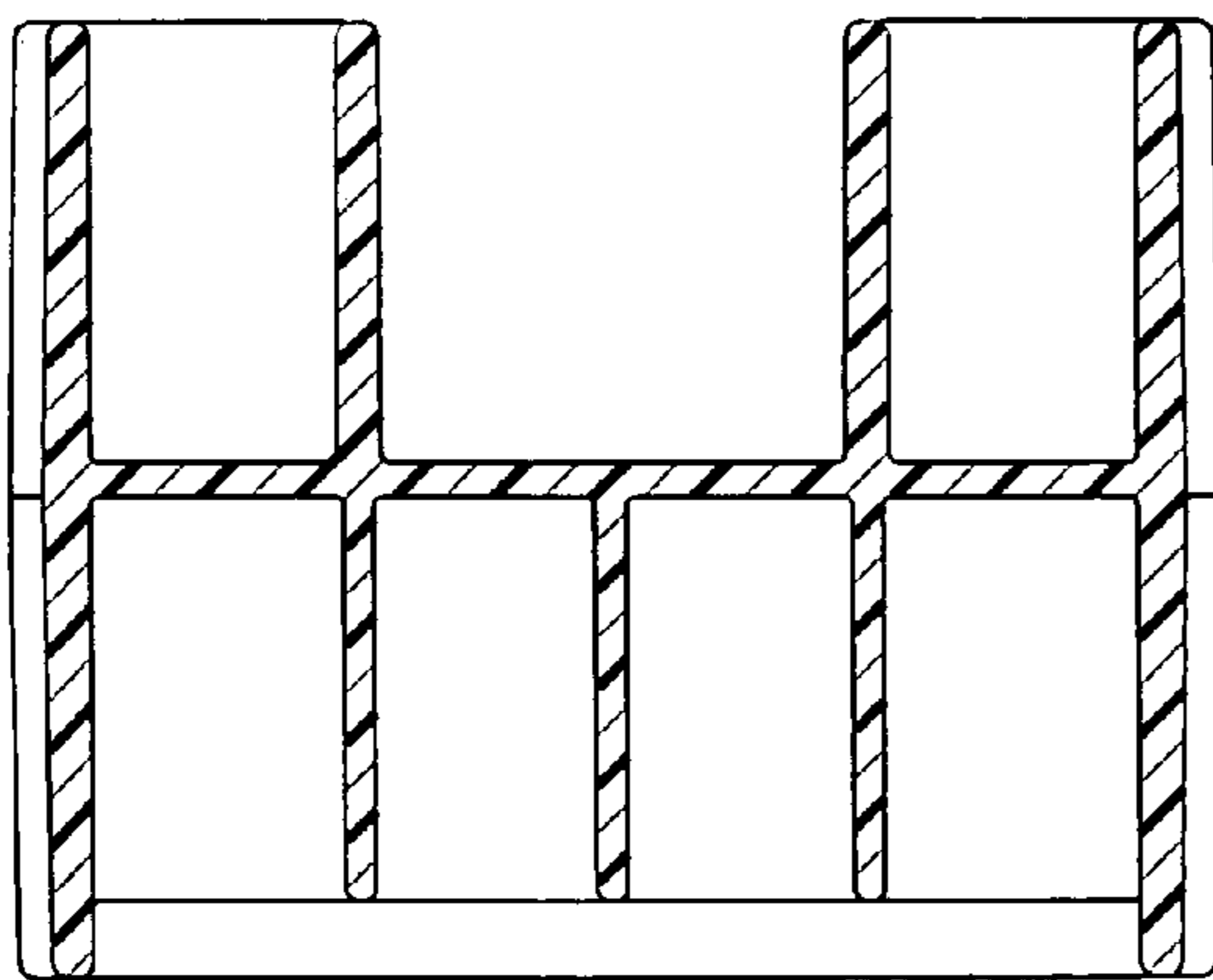
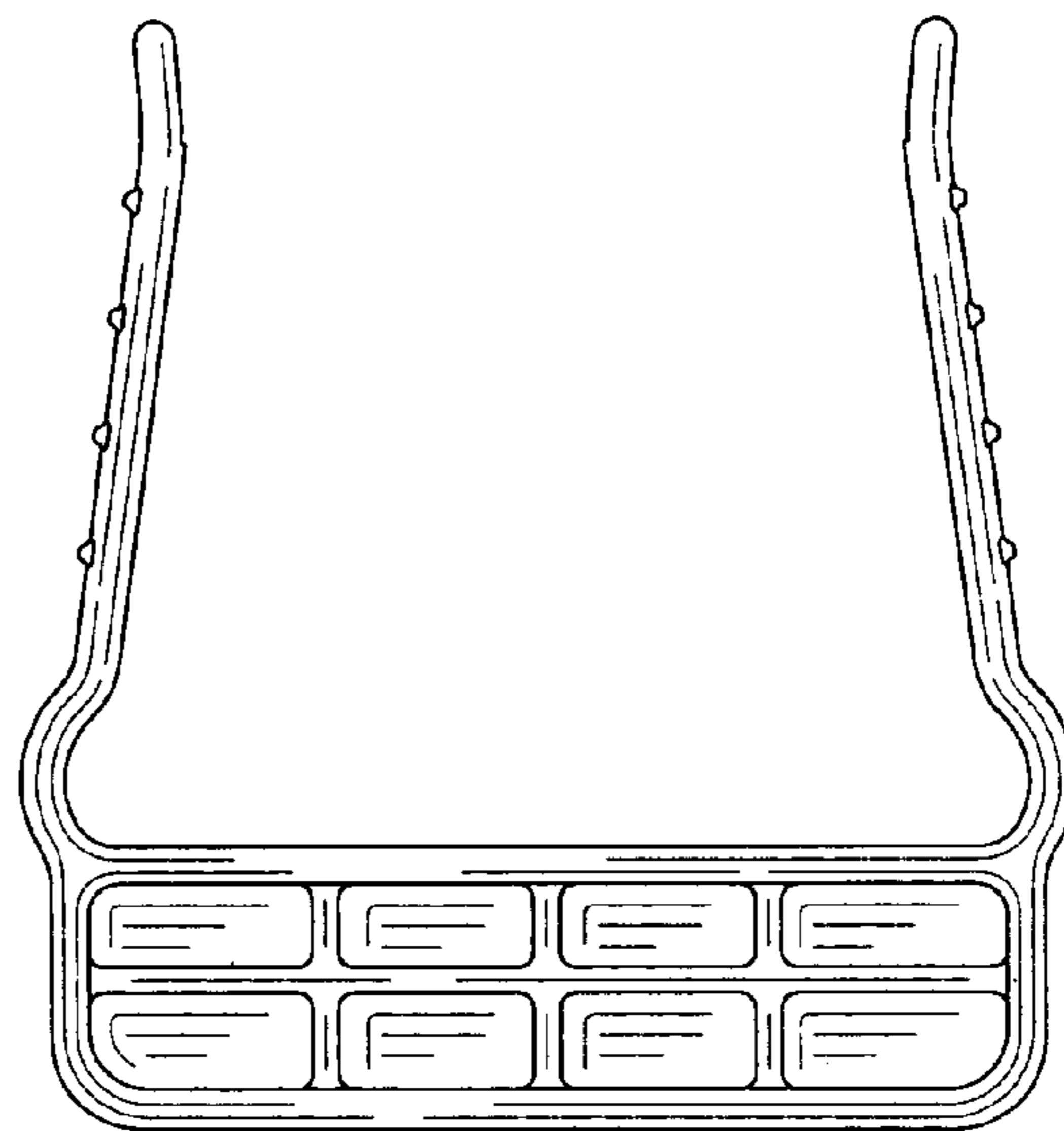


FIG. 8