



US00D628050S

(12) **United States Design Patent**
Petersen et al.

(10) **Patent No.:** **US D628,050 S**

(45) **Date of Patent:** **** Nov. 30, 2010**

(54) **LOW PROFILE CABLING DUCT**

2009/0324188 A1 12/2009 Berglund et al.

(75) Inventors: **Kurt H. Petersen**, Austin, TX (US);
Sidney J. Berglund, Round Rock, TX (US)

FOREIGN PATENT DOCUMENTS

DE 198 43 263 A1 4/2000
EP 0 992 826 A2 4/2000
WO WO 2008/124293 10/2008

(73) Assignee: **3M Innovative Properties Company**,
St. Paul, MN (US)

OTHER PUBLICATIONS

(**) Term: **14 Years**

U.S. Appl. No. 61/164,176, filed Mar. 27, 2009, entitled "Low Profile Fiber Drop Point of Entry System and Method of Installing".

(21) Appl. No.: **29/350,832**

U.S. Appl. No. 61/164,184, filed Mar. 27, 2009, entitled "Ducts to Support a Drop Access Location System for Horizontal Cabling in Multi-Dwelling Unit Applications".

(22) Filed: **Nov. 24, 2009**

* cited by examiner

(51) **LOC (9) Cl.** **08-05**

(52) **U.S. Cl.** **D8/356**

(58) **Field of Classification Search** D8/356,
D8/354, 349; 174/135; 248/89; 385/135,
385/134, 60, 62; 52/220.1, 74.1; D13/156

See application file for complete search history.

Primary Examiner—Cynthia Underwood

(74) *Attorney, Agent, or Firm*—Gregg H. Rosenblatt

(57) **CLAIM**

The ornamental design for a low profile cabling duct, as shown and described.

(56) **References Cited**

U.S. PATENT DOCUMENTS

5,600,098	A *	2/1997	Kazaks	174/135
D422,885	S *	4/2000	Marino et al.	D8/354
D479,117	S *	9/2003	Mercier	D8/354
D506,381	S *	6/2005	Lu	D8/349
D546,172	S *	7/2007	Jeanveau	D8/396
D568,254	S *	5/2008	Patchett et al.	D13/155
7,369,738	B2	5/2008	Larson et al.	
D571,648	S *	6/2008	Rieder	D8/395
D572,572	S *	7/2008	Chang	D8/356
D573,448	S *	7/2008	Young, IV	D8/356
D587,096	S *	2/2009	Smith	D8/354
D587,097	S *	2/2009	Smith	D8/354
D615,847	S *	5/2010	Tezak et al.	D8/349
D616,286	S *	5/2010	Foresman	D8/354

DESCRIPTION

FIG. 1 is a right side isometric view of a low profile cabling duct, showing our new design;

FIG. 2 is a right side view thereof;

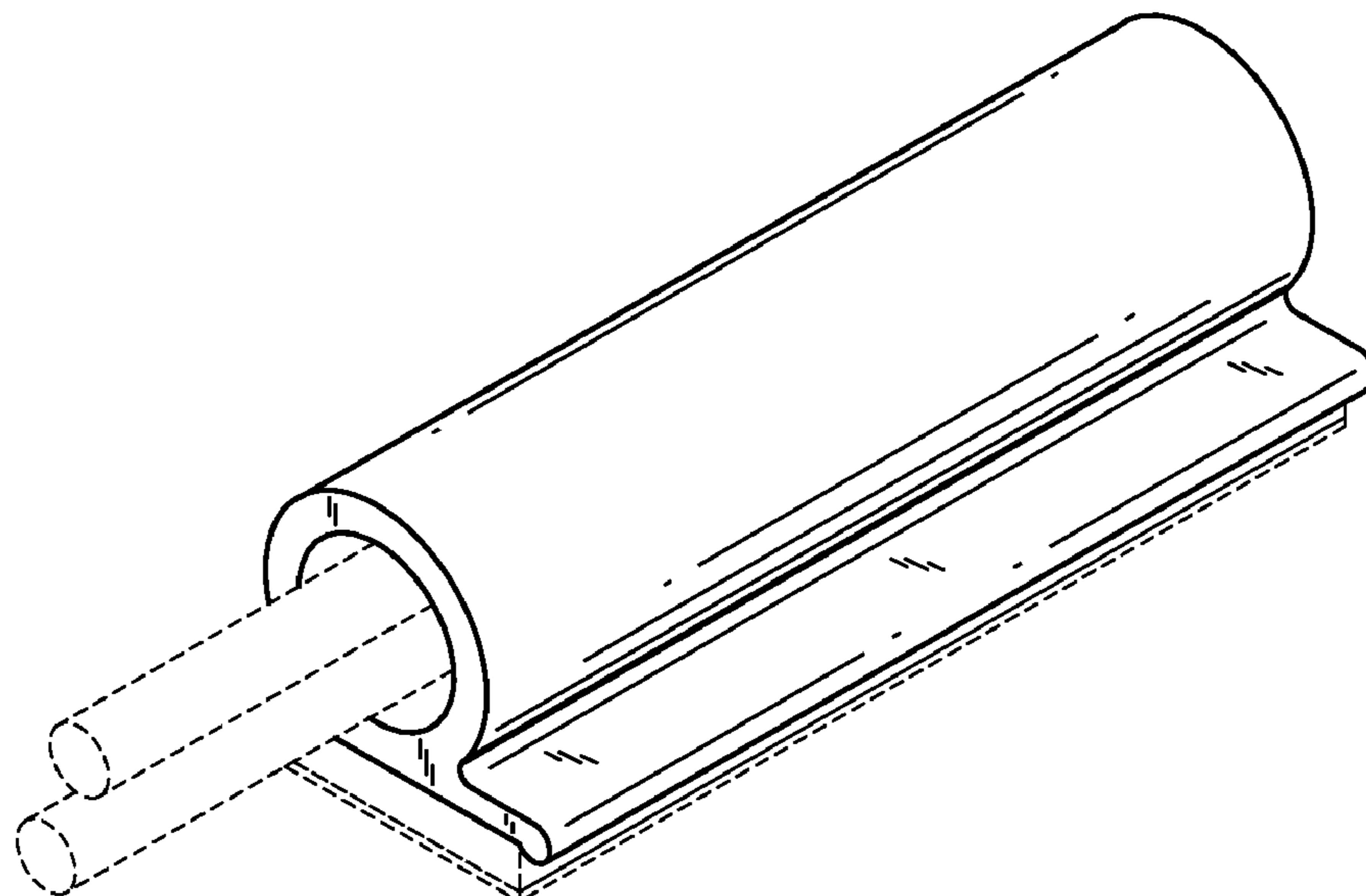
FIG. 3 is an end view thereof;

FIG. 4 is a top view thereof; and,

FIG. 5 is a bottom side view thereof.

The broken lines are included for the purpose of illustrating environmental structure and form no part of the claimed design.

1 Claim, 2 Drawing Sheets



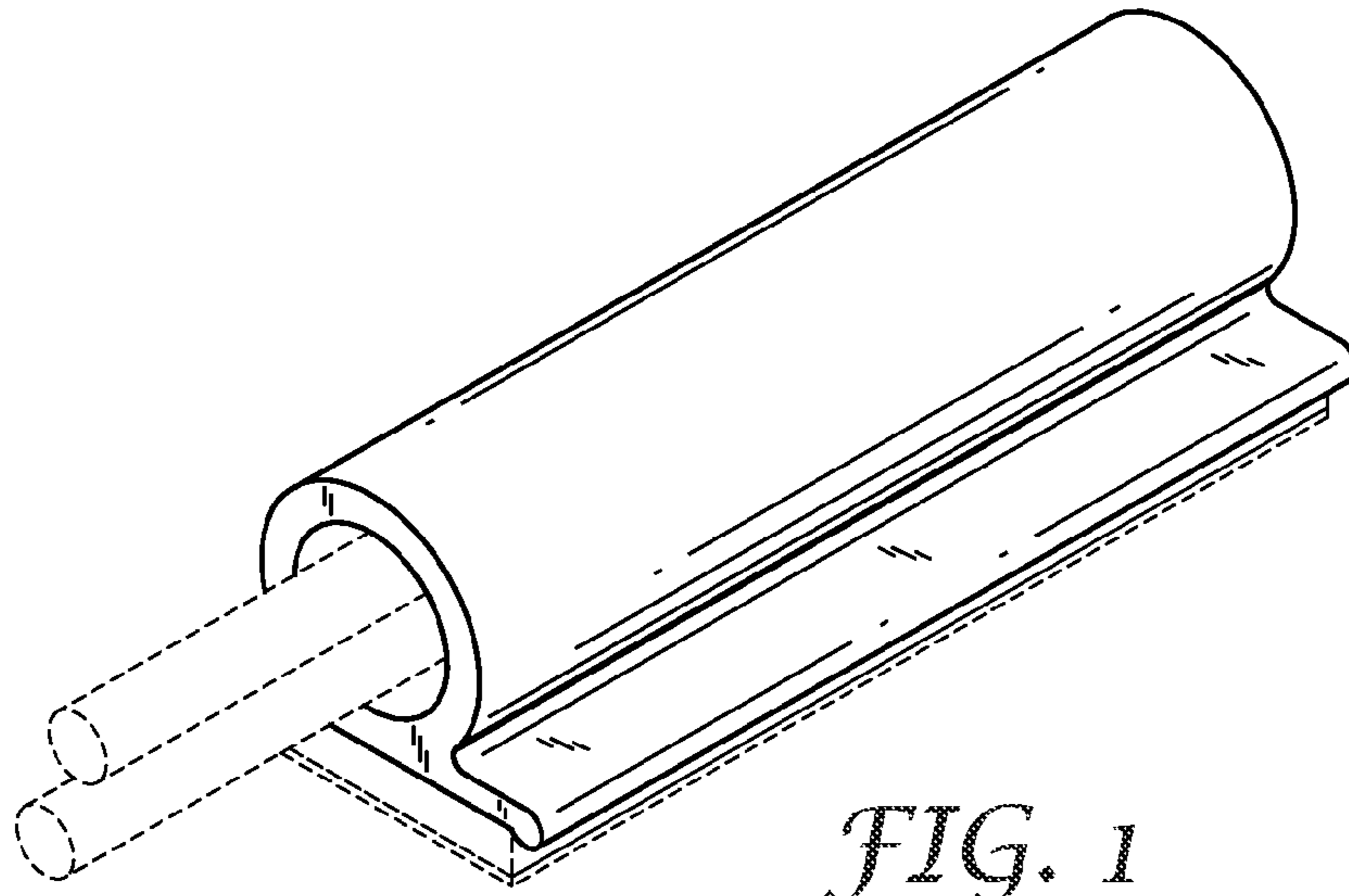


FIG. 1

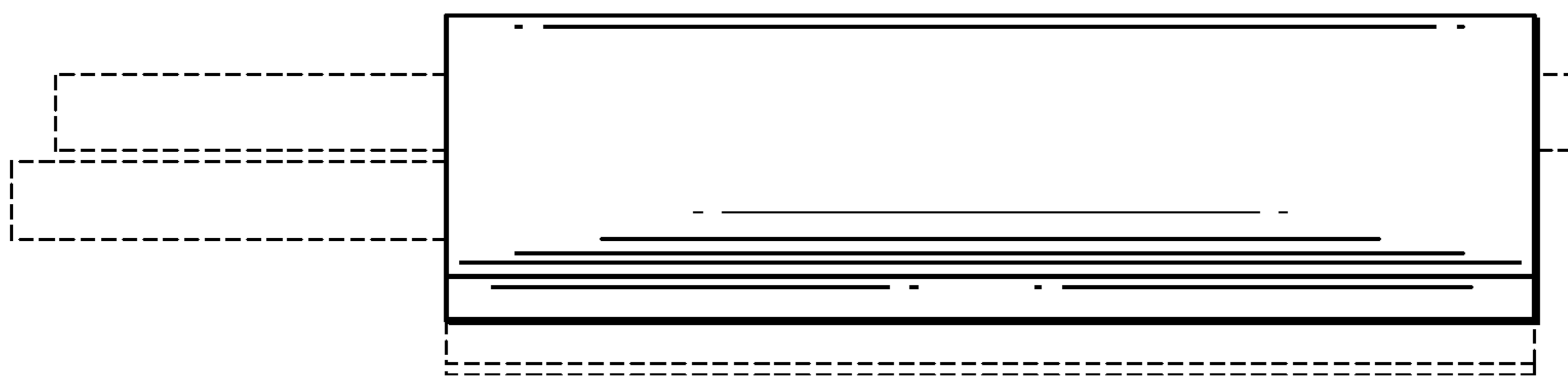


FIG. 2

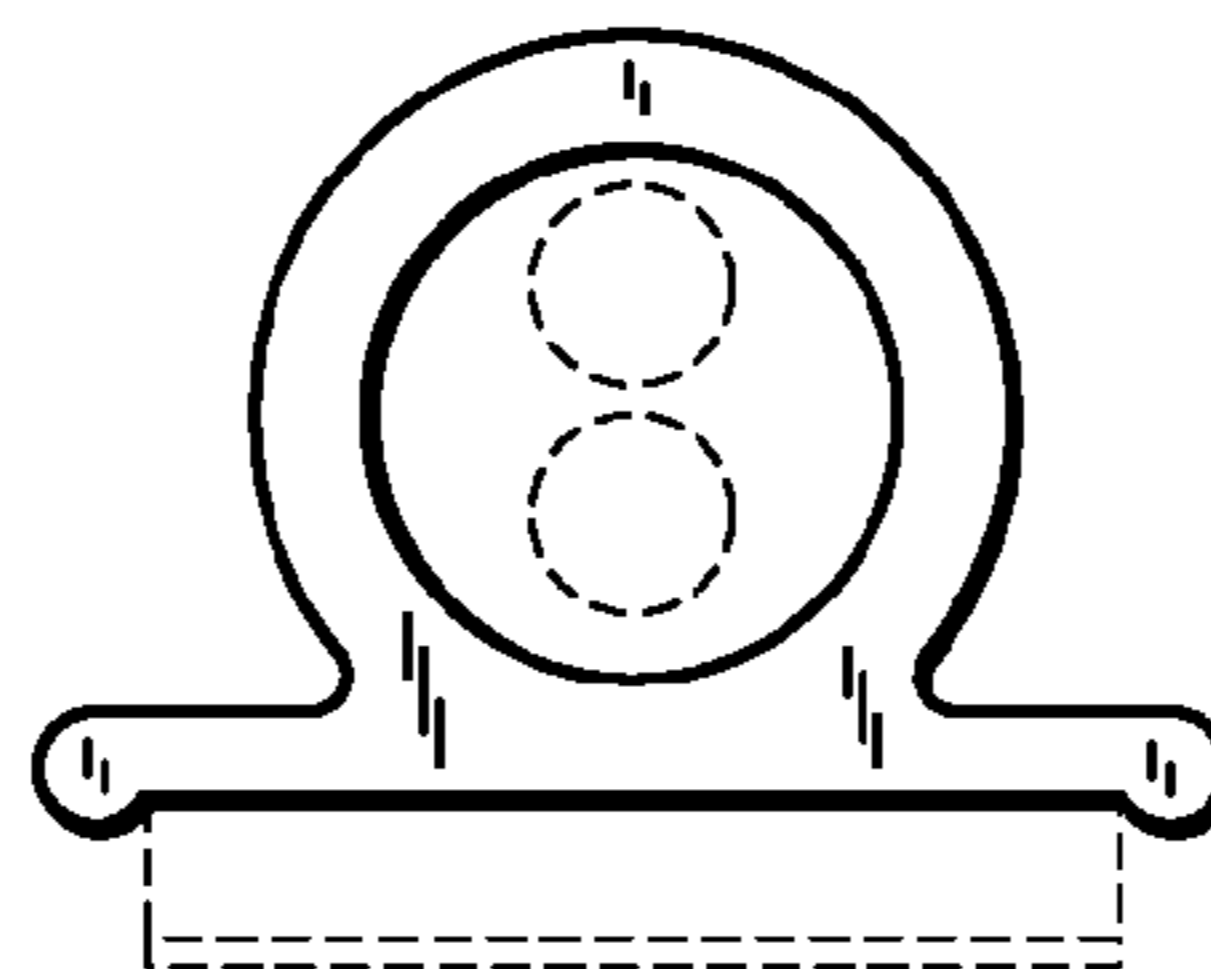


FIG. 3

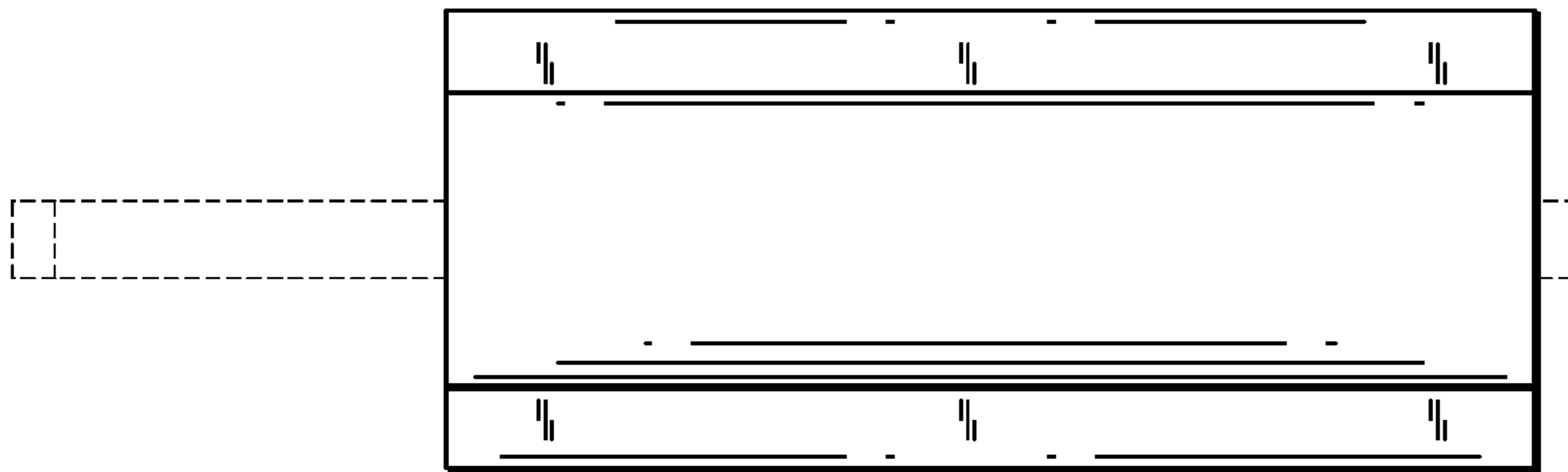


FIG. 4



FIG. 5