



US00D628049S

(12) **United States Design Patent**
Larson et al.

(10) **Patent No.:** **US D628,049 S**
(45) **Date of Patent:** **** Nov. 30, 2010**

(54) **LOW PROFILE CABLING DUCT**

2009/0324188 A1 12/2009 Berglund et al.

(75) Inventors: **Donald K. Larson**, Cedar Park, TX (US); **Wesley A. Raider**, Hudson, WI (US)

FOREIGN PATENT DOCUMENTS

DE 198 43 263 A1 4/2000
EP 0 992 826 A2 4/2000
WO WO 2008/124293 10/2008

(73) Assignee: **3M Innovative Properties Company**, St. Paul, MN (US)

OTHER PUBLICATIONS

U.S. Appl. No. 61/164,176, filed Mar. 27, 2009, entitled "Low Profile Fiber Drop Point of Entry System and Method of Installing".
U.S. Appl. No. 61/164,184, filed Mar. 27, 2009, entitled "Ducts to Support a Drop Access Location System for Horizontal Cabling in Multi-Dwelling Unit Applications".

(**) Term: **14 Years**

* cited by examiner

(21) Appl. No.: **29/350,830**

(22) Filed: **Nov. 24, 2009**

(51) **LOC (9) Cl.** **08-05**

Primary Examiner—Cynthia Underwood

(52) **U.S. Cl.** **D8/356**

(74) *Attorney, Agent, or Firm*—Gregg H. Rosenblatt

(58) **Field of Classification Search** D8/356,
D8/354, 349; 174/135; 248/89; 385/135,
385/134, 60, 62; 52/220.1, 74.1; D13/156
See application file for complete search history.

(57) **CLAIM**

The ornamental design for a low profile cabling duct, as shown and described.

(56) **References Cited**

DESCRIPTION

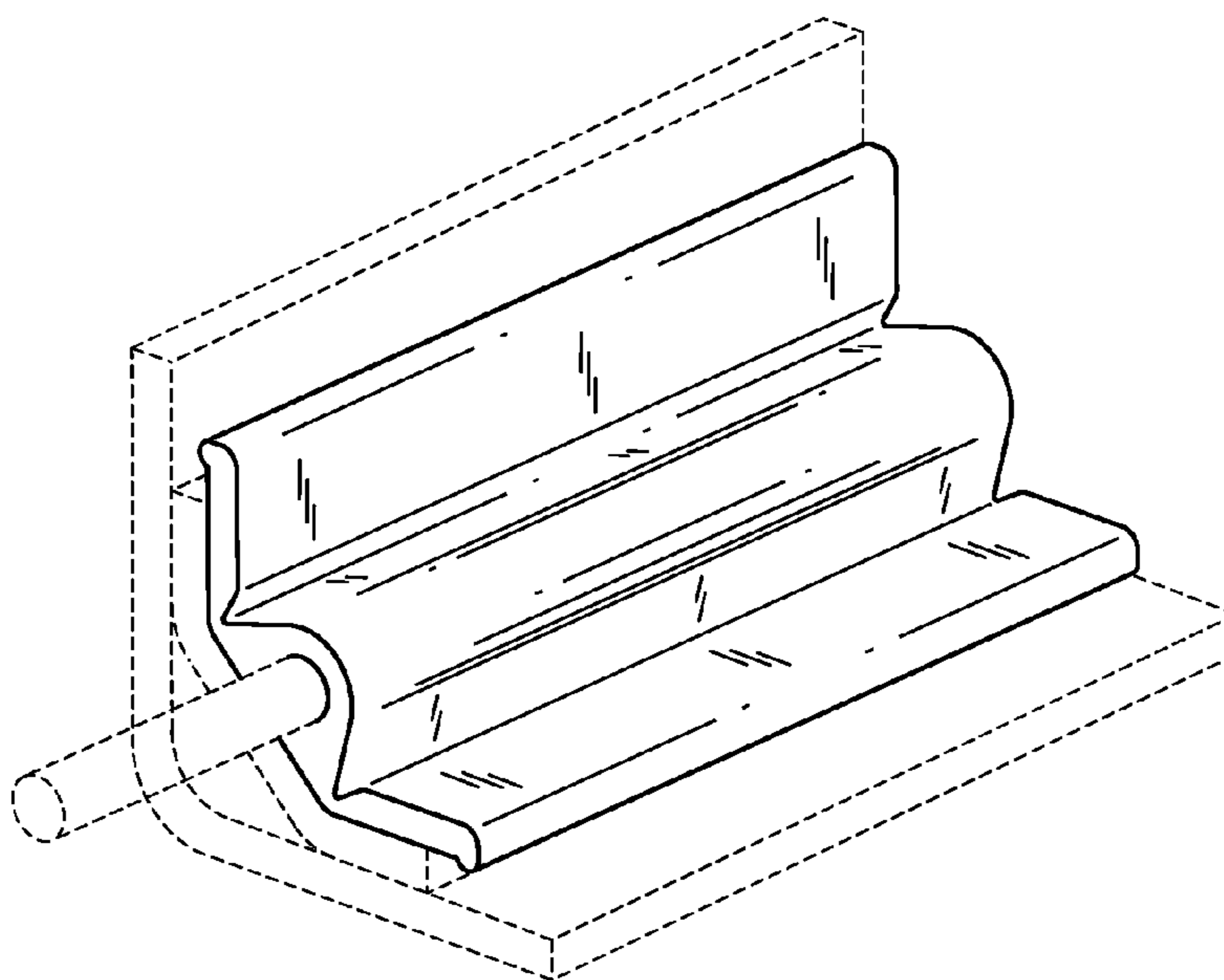
U.S. PATENT DOCUMENTS

5,600,098	A *	2/1997	Kazaks	174/135
D422,885	S *	4/2000	Marino et al.	D8/354
D479,117	S *	9/2003	Mercier	D8/354
D506,381	S *	6/2005	Lu	D8/349
D546,172	S *	7/2007	Jeanveau	D8/396
D568,254	S *	5/2008	Patchett et al.	D13/155
7,369,738	B2	5/2008	Larson et al.	
D571,648	S *	6/2008	Rieder	D13/395
D572,572	S *	7/2008	Chang	D8/356
D573,448	S *	7/2008	Young, IV	D8/356
D587,096	S *	2/2009	Smith	D8/354
D587,097	S *	2/2009	Smith	D8/354
D615,847	S *	5/2010	Tezak et al.	D8/349
D616,286	S *	5/2010	Foresman	D8/354

FIG. 1 is a right side isometric view of a low profile cabling duct in a bent configuration, showing our new design;
FIG. 2 is a right side isometric view of a low profile cabling duct in a flat configuration, showing our new design;
FIG. 3 is a left side view thereof;
FIG. 4 is an end view thereof;
FIG. 5 is a top side view thereof; and,
FIG. 6 is a bottom view thereof.

The broken lines are included for the purpose of illustrating environmental structure and the item in use and form no part of the claimed design.

1 Claim, 2 Drawing Sheets



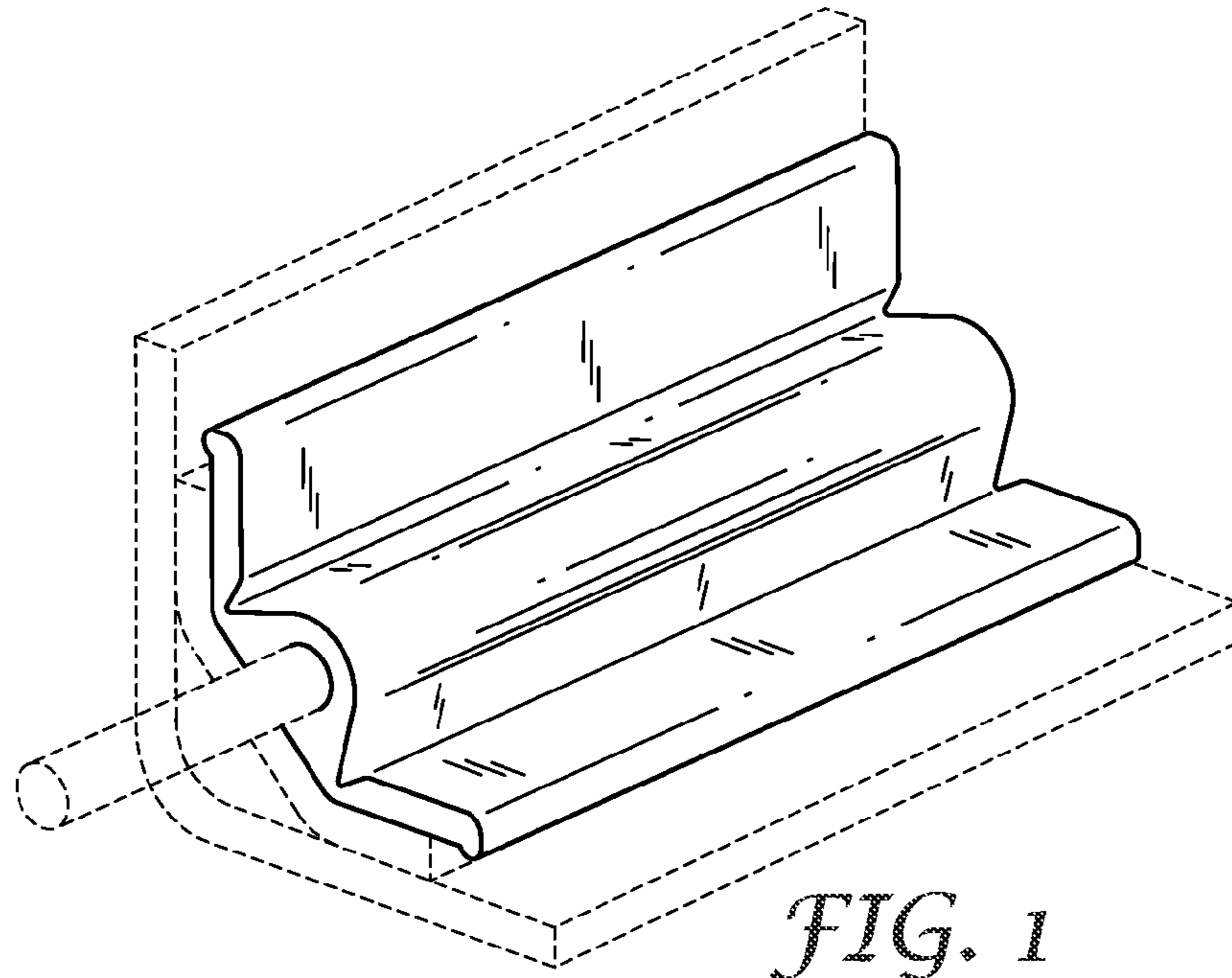


FIG. 1

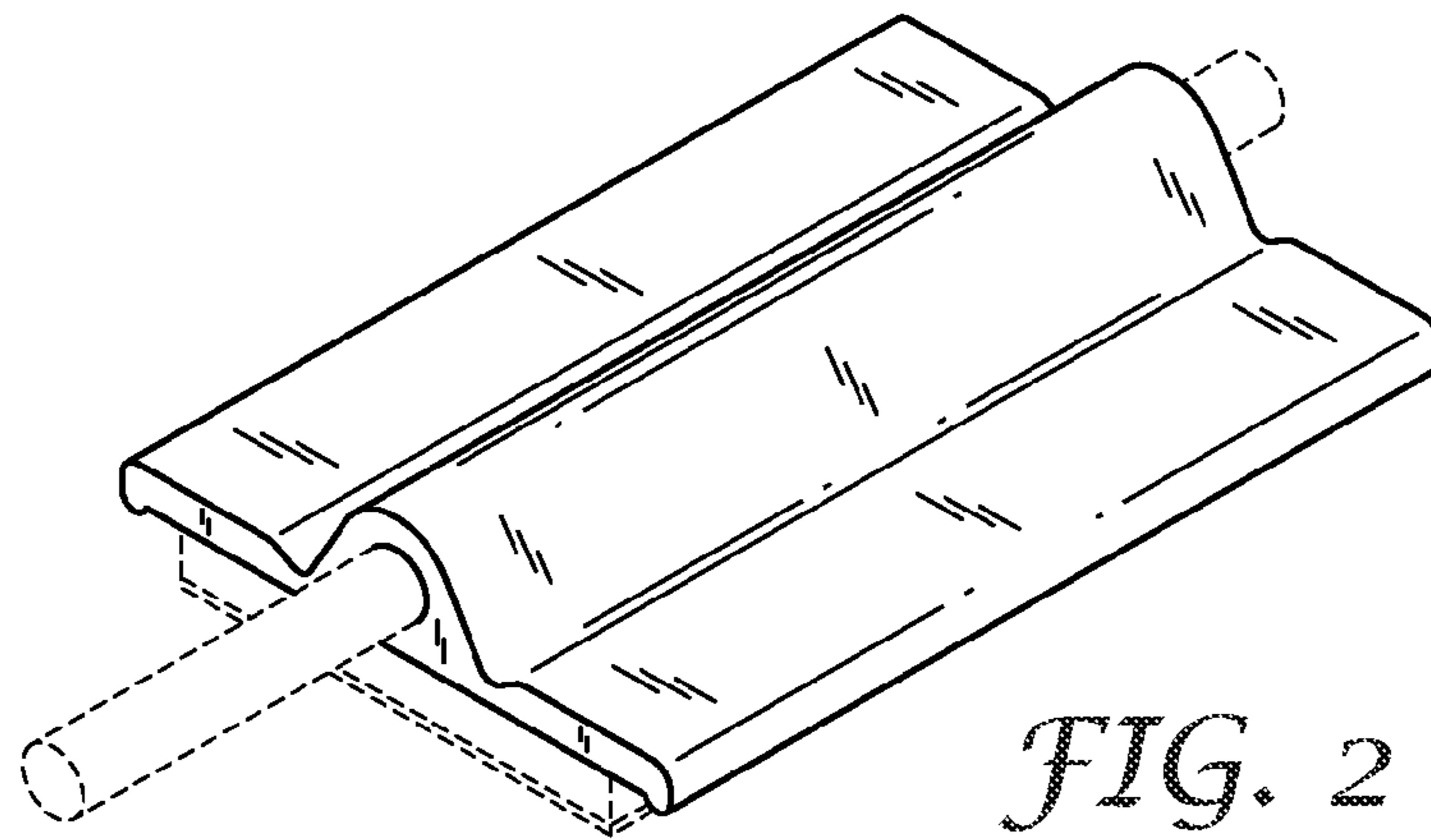


FIG. 2

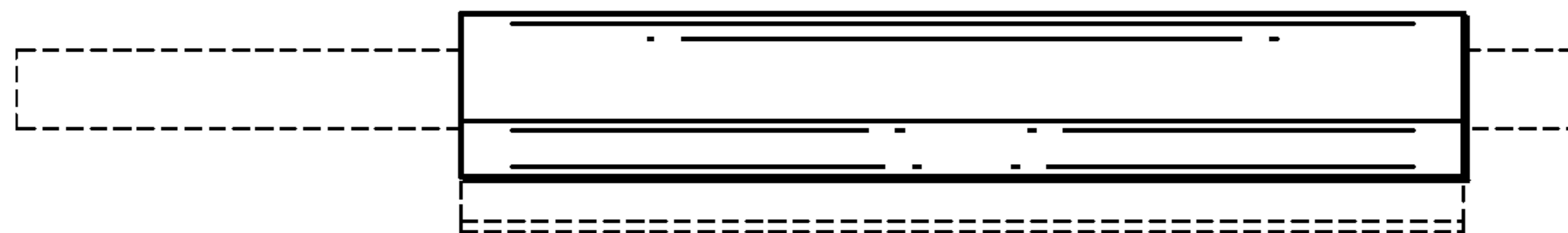


FIG. 3

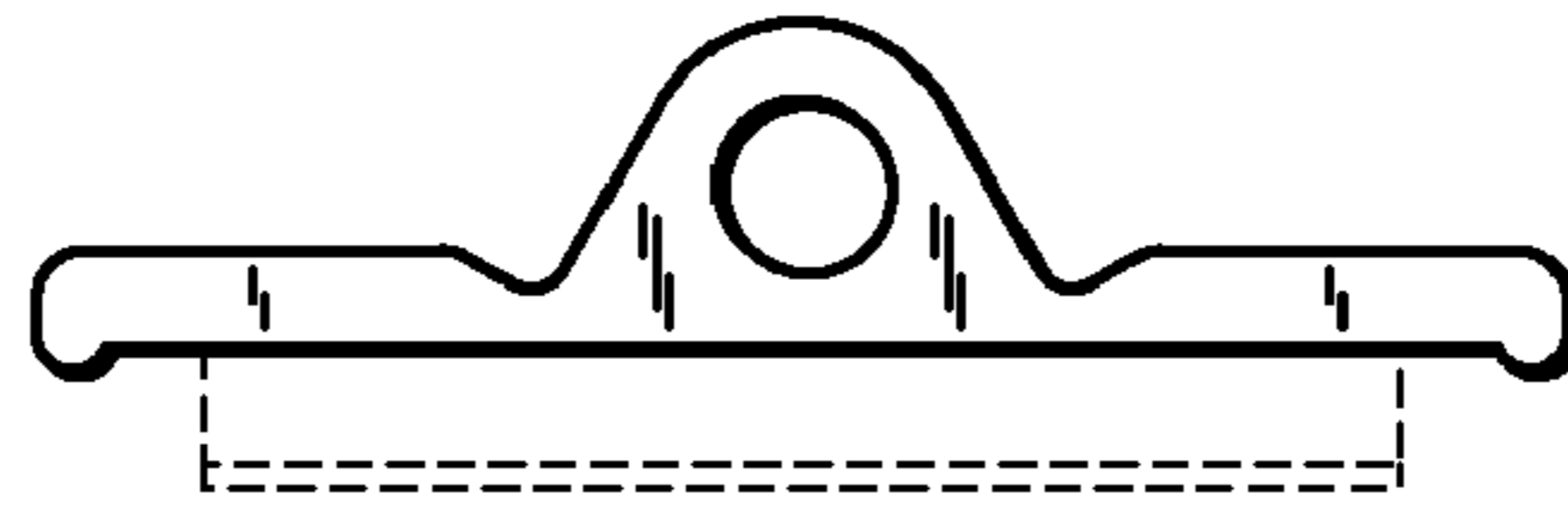


FIG. 4

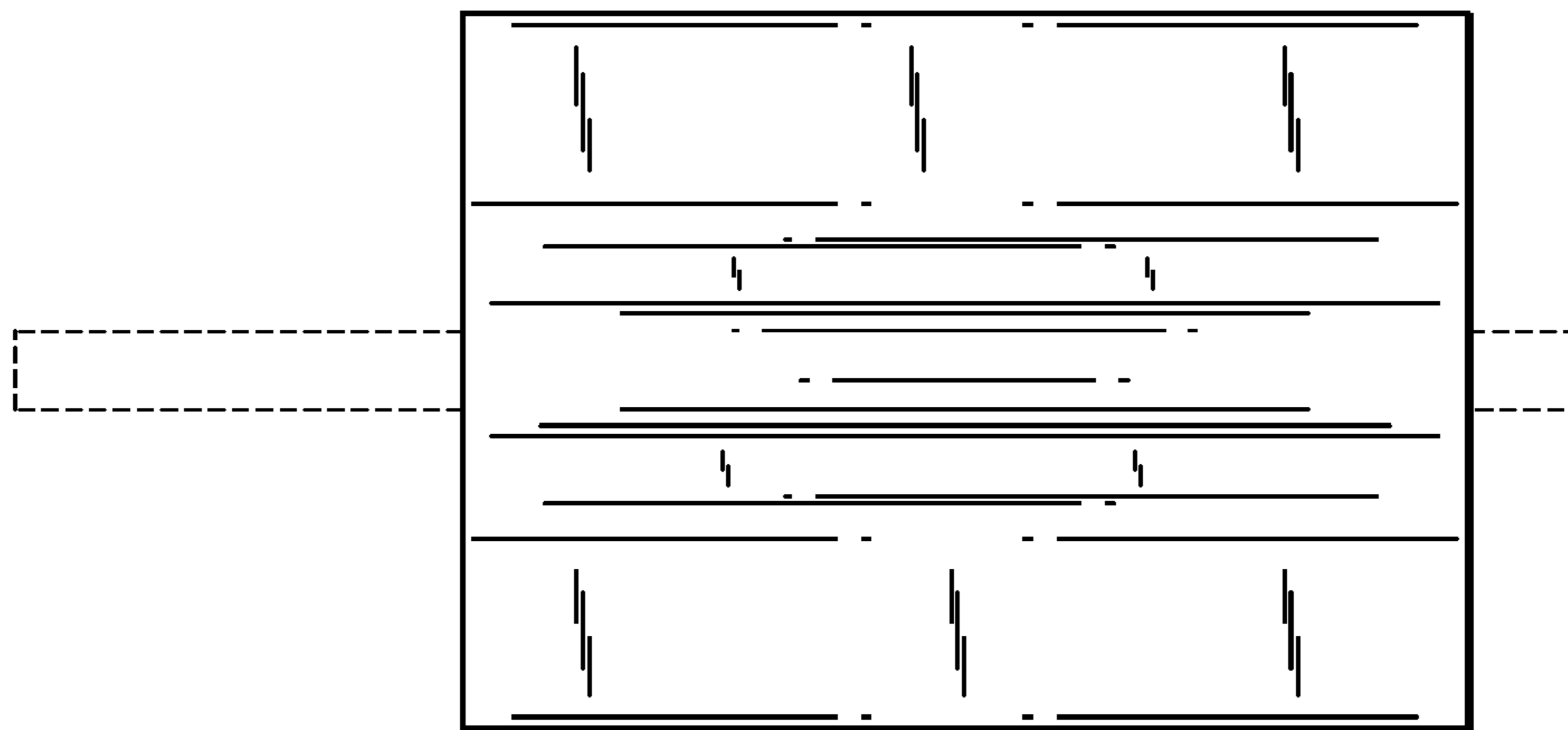


FIG. 5

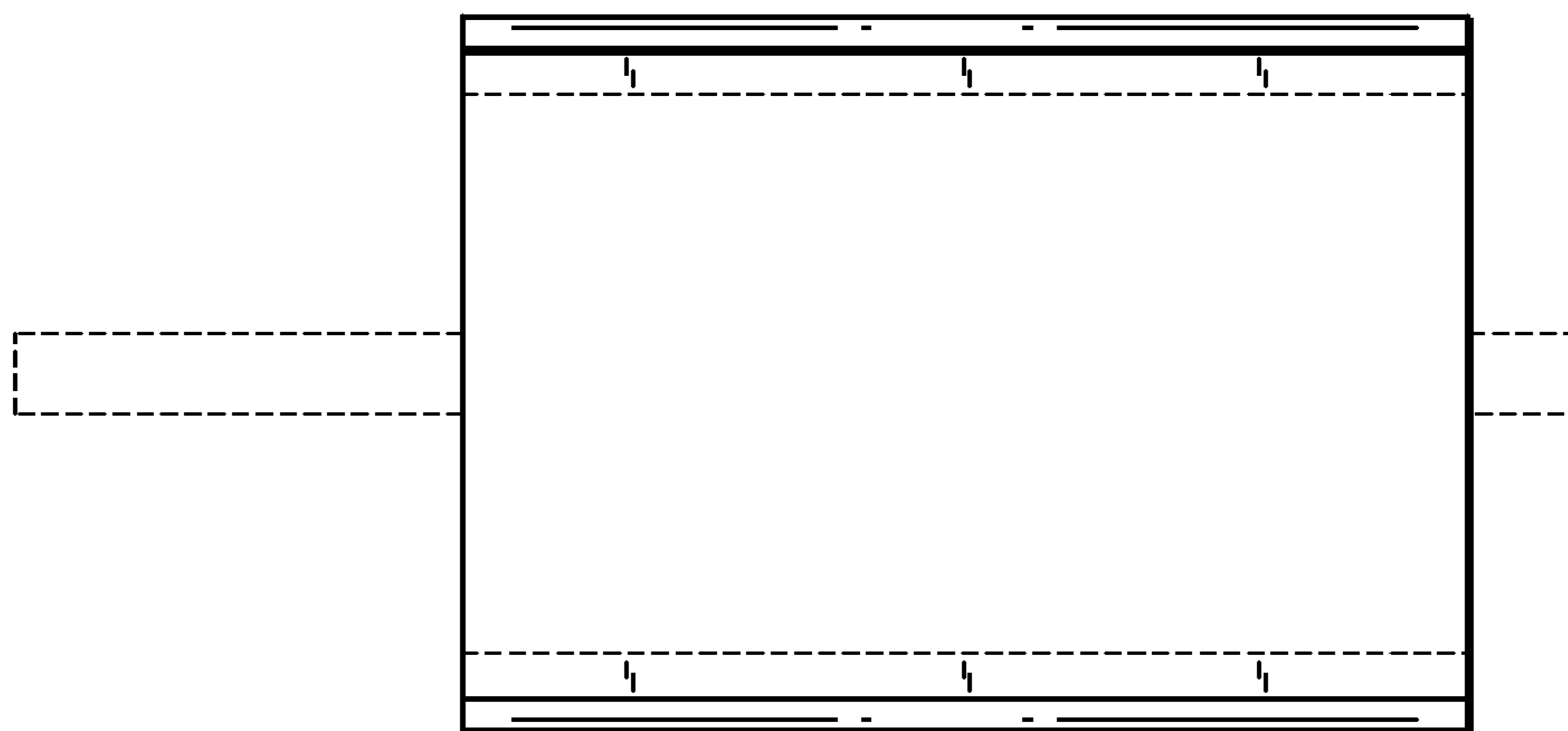


FIG. 6