

US00D628047S

(12) **United States Design Patent**
Craig

(10) **Patent No.:** **US D628,047 S**

(45) **Date of Patent:** **** Nov. 30, 2010**

(54) **PLATE**

(75) **Inventor:** **Peter Harold Craig**, Cooyal (AU)

(73) **Assignee:** **FCI Holdings Delaware, Inc.**,
Wilmington, DE (US)

(**) **Term:** **14 Years**

(21) **Appl. No.:** **29/343,870**

(22) **Filed:** **Sep. 21, 2009**

(30) **Foreign Application Priority Data**

Mar. 20, 2009 (AU) 10942/2009

(51) **LOC (9) Cl.** **08-05**

(52) **U.S. Cl.** **D8/354**

(58) **Field of Classification Search** D8/354,
D8/356, 399, 349, 382, 499; D15/138, 143;
D25/133; 405/262, 132, 288, 259.1-259.6,
405/302.1; 52/169.1, 698, 410, 512; 411/531;
248/205.1, 231.91, 339, 58, 61

See application file for complete search history.

(56) **References Cited**

U.S. PATENT DOCUMENTS

2,748,594 A * 6/1956 Edwards 411/76
2,854,824 A * 10/1958 Curry et al. 405/302.1
4,112,693 A * 9/1978 Collin et al. 405/302.1
D258,718 S * 3/1981 Collin et al. D8/399

4,371,293 A * 2/1983 Wilcox et al. 405/302.1
4,445,808 A * 5/1984 Arya 405/302.1
D275,452 S * 9/1984 Payne D8/399
4,498,815 A * 2/1985 Dye 405/302.1
4,518,282 A * 5/1985 Wilcox et al. 405/302.1
D288,778 S * 3/1987 Giannuzzi D8/399
4,652,178 A * 3/1987 Kates et al. 405/302.1
D301,687 S * 6/1989 Cassidy et al. D8/399
5,628,587 A * 5/1997 Lesslie 405/302.1
D388,193 S * 12/1997 Villaescusa D25/133
RE35,902 E * 9/1998 Calandra et al. 405/302.1
D470,041 S * 2/2003 Fergusson D8/399

* cited by examiner

Primary Examiner—Mark A Goodwin
(74) *Attorney, Agent, or Firm*—The Webb Law Firm

(57) **CLAIM**

The ornamental design for a plate, as shown and described.

DESCRIPTION

FIG. 1 is a top perspective view of a plate showing my new design;

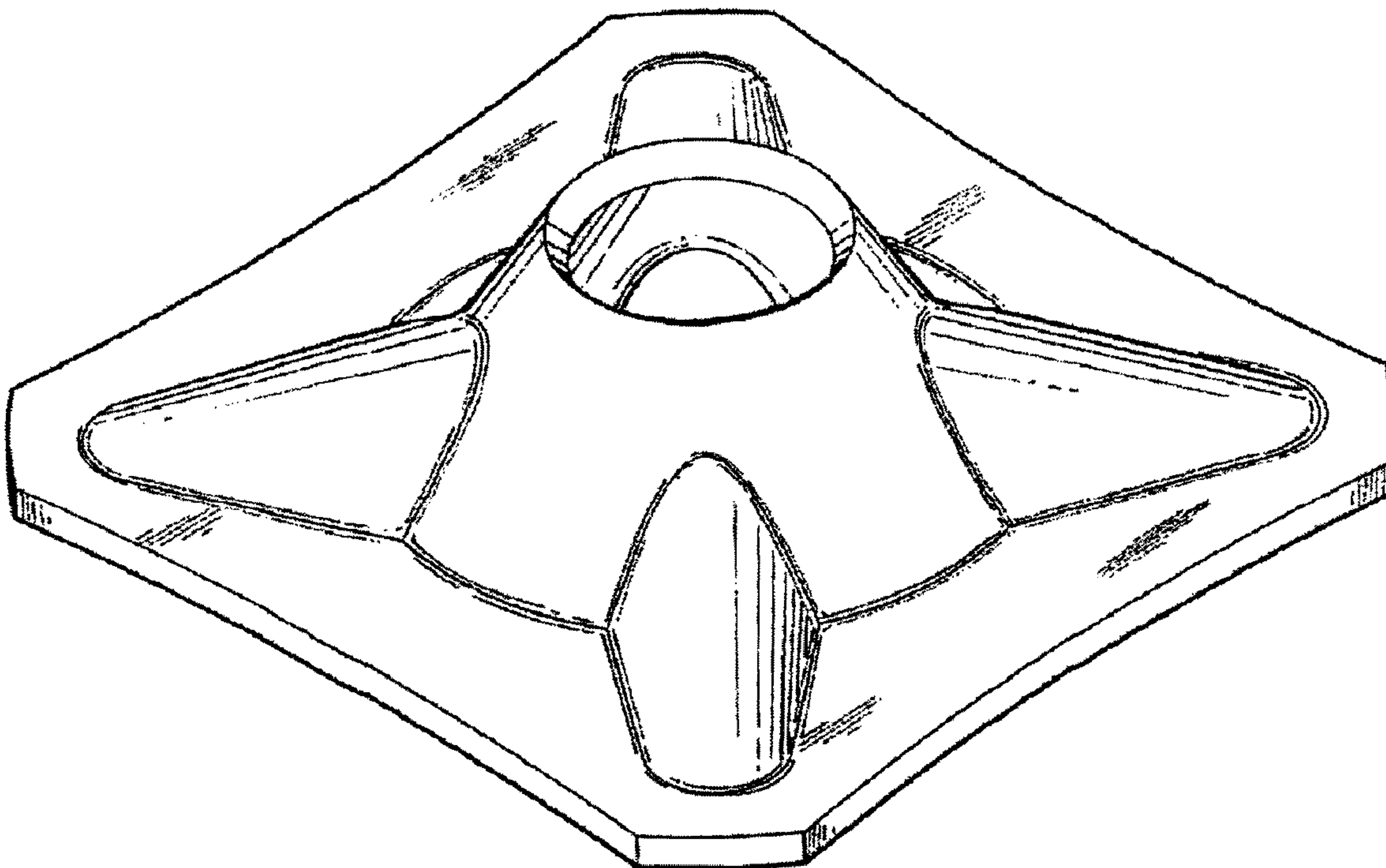
FIG. 2 is a bottom perspective view thereof;

FIG. 3 is a top plan view thereof;

FIG. 4 is a side view thereof; and,

FIG. 5 is corner side view thereof.

1 Claim, 4 Drawing Sheets



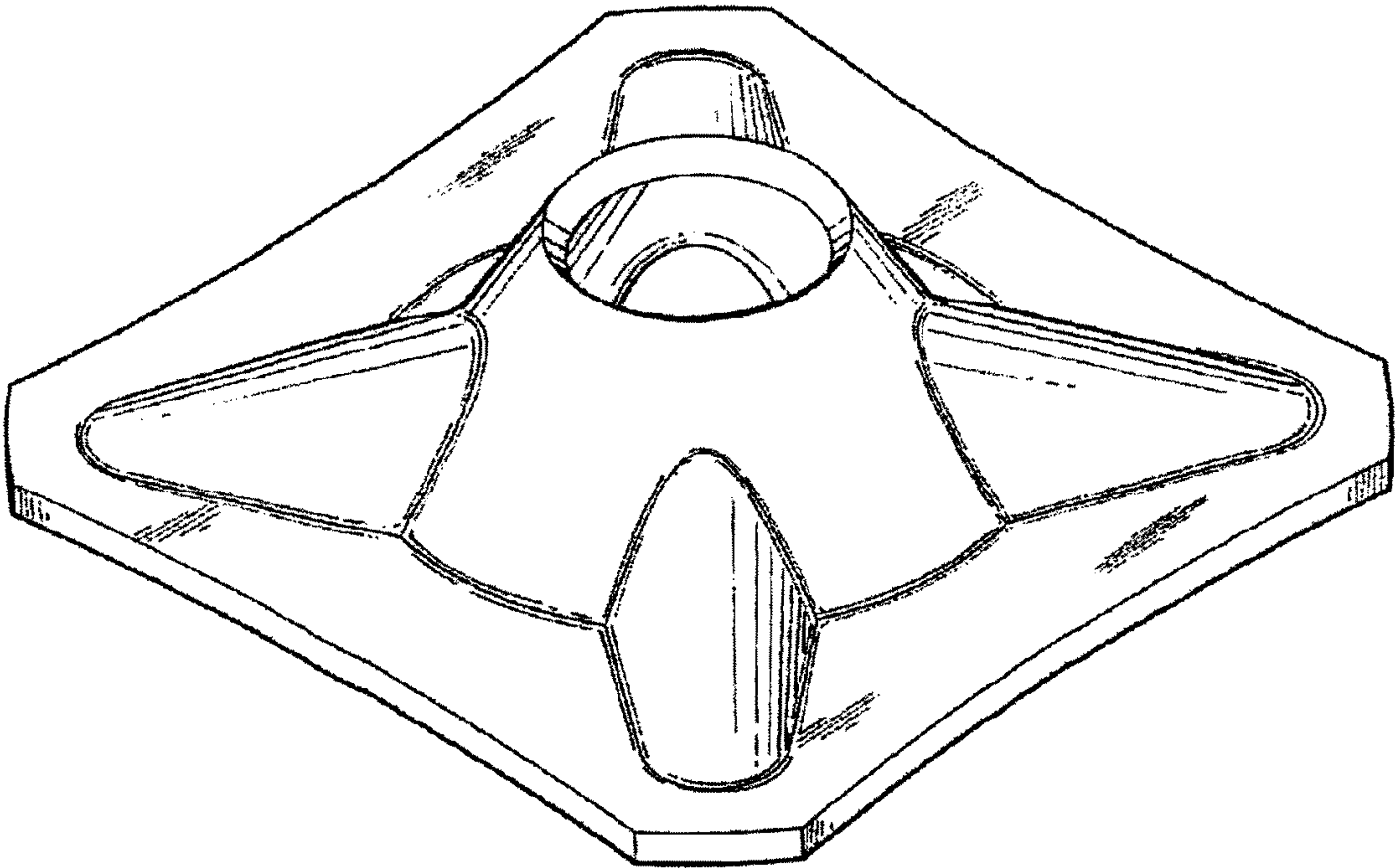


FIG. 1

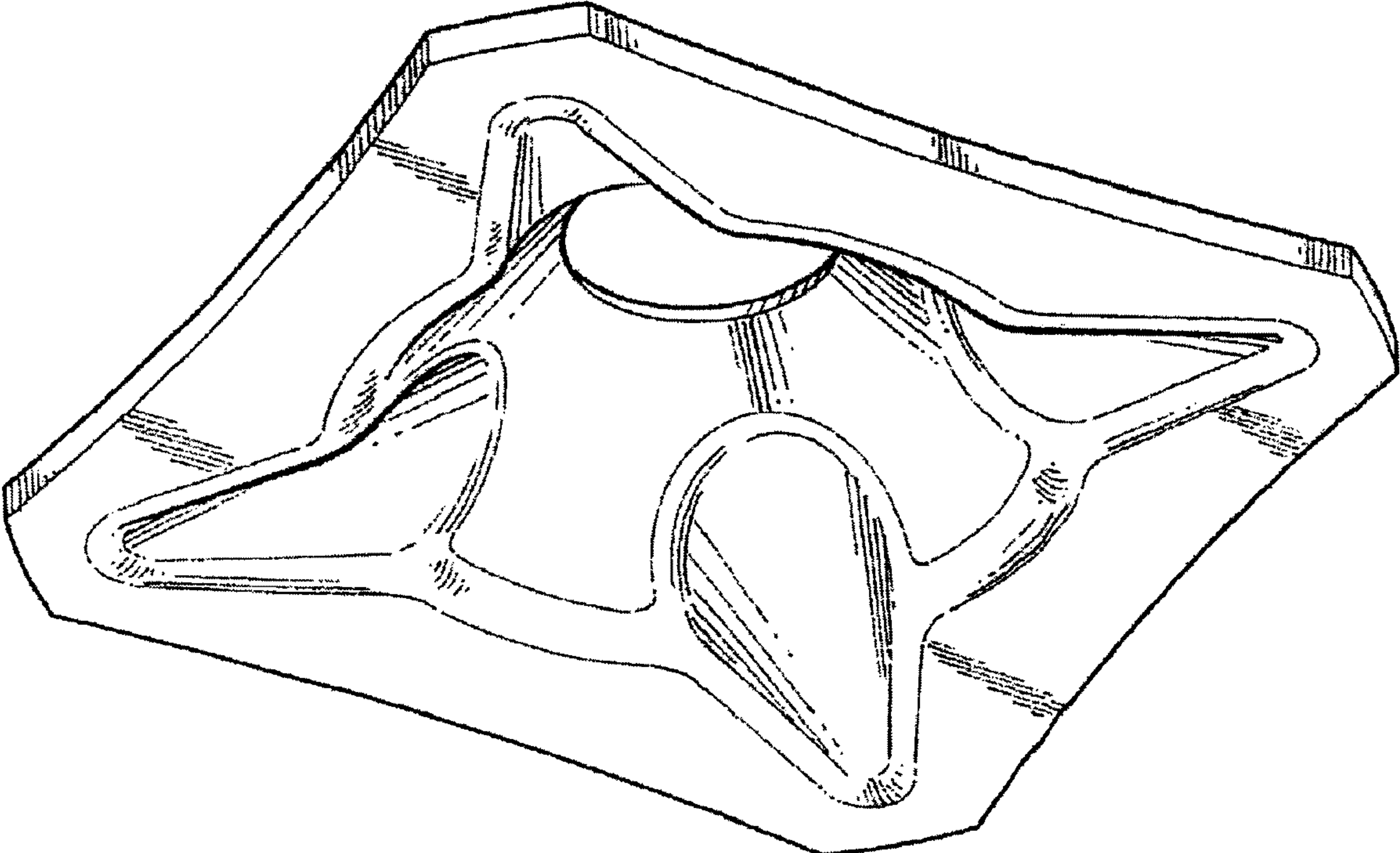


FIG. 2

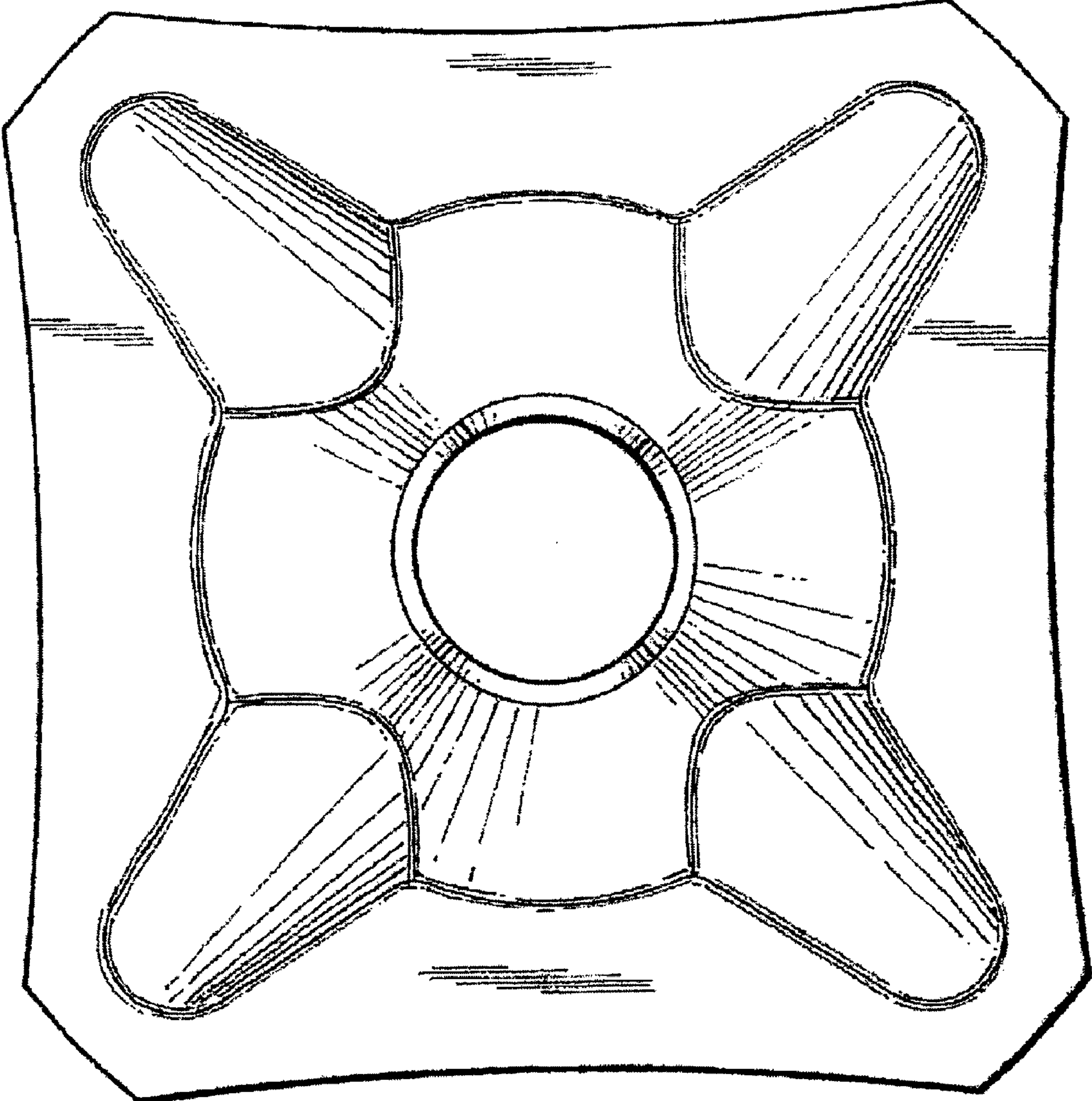


FIG. 3

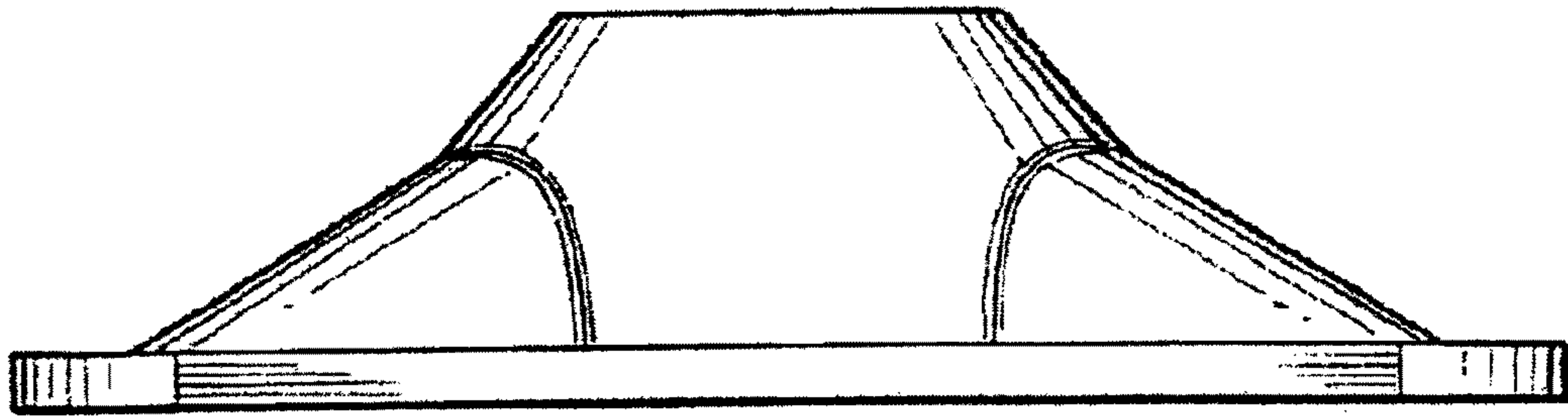


FIG. 4

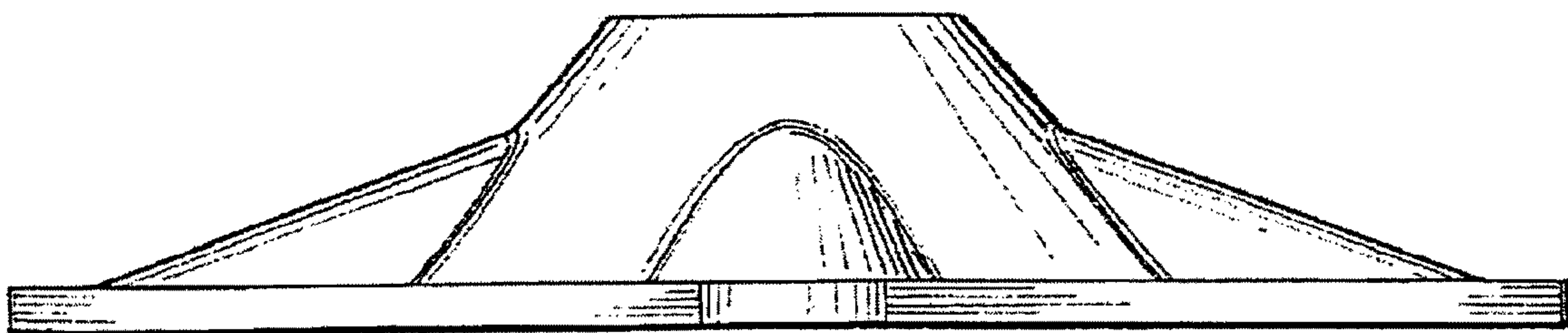


FIG. 5