



US00D628043S

(12) **United States Design Patent**
Young et al.

(10) **Patent No.:** **US D628,043 S**
(45) **Date of Patent:** **** Nov. 30, 2010**

(54) **RELEASABLE ATTACHMENT APPARATUS**

(75) Inventors: **Stanfield Young**, Los Alamitos, CA
(US); **Boake Paugh**, Rancho
Cucamonga, CA (US)

(73) Assignee: **West Coast Chain Mfg. Co.**, Ontario,
CA (US)

(**) Term: **14 Years**

(21) Appl. No.: **29/353,957**

(22) Filed: **Jan. 16, 2010**

(51) **LOC (9) Cl.** **08-07**

(52) **U.S. Cl.** **D8/333**

(58) **Field of Classification Search** D8/330,
D8/331, 333, 336, 343, 349; 70/14, 20, 35,
70/51, 57.1, 431, 465; 242/382, 38.1, 382.2,
242/385

See application file for complete search history.

(56) **References Cited**

U.S. PATENT DOCUMENTS

3,450,369	A	6/1969	Blanch et al.	
3,834,645	A	9/1974	Morishige	
3,995,900	A *	12/1976	Humble et al.	70/57.1
4,373,824	A	2/1983	Olsen	
4,417,703	A	11/1983	Weinhold	
4,596,365	A	6/1986	Wang	
4,854,522	A	8/1989	Brown et al.	
4,946,010	A	8/1990	DiBono	
5,174,625	A	12/1992	Gothier et al.	
5,265,823	A	11/1993	Doty	
5,509,616	A	4/1996	Millen, Jr. et al.	
5,535,960	A	7/1996	Skowronski et al.	
5,622,327	A *	4/1997	Heath et al.	242/383.4
5,645,239	A	7/1997	Zwayer et al.	
5,898,472	A	4/1999	Oshikawa	
6,018,293	A *	1/2000	Smith	340/438
6,019,198	A	2/2000	Nielsen	
6,019,304	A	2/2000	Skowronski et al.	
6,152,395	A	11/2000	Corriveau et al.	

6,179,238	B1	1/2001	Phillipps	
6,199,784	B1	3/2001	Wang et al.	
6,199,785	B1	3/2001	Paugh	
6,250,578	B1	6/2001	Manda	
6,279,682	B1	8/2001	Feathers	
6,293,485	B1	9/2001	Hollowed	
D449,216	S *	10/2001	Herda	D8/333
6,324,285	B1	11/2001	Dowsett et al.	
6,325,665	B1	12/2001	Chung	
6,336,607	B1	1/2002	Perrier	
6,439,490	B1	8/2002	Hwang	
6,536,697	B2	3/2003	Tsan	
D477,768	S *	7/2003	Bridges et al.	D8/333
6,591,461	B2	7/2003	Salentine et al.	
6,616,080	B1	9/2003	Edwards et al.	
6,679,448	B1	1/2004	Carpenter et al.	
6,694,922	B2	2/2004	Walter et al.	
D487,417	S *	3/2004	Hsu	D12/192
6,808,138	B2	10/2004	Liao	
6,921,040	B2	7/2005	Watari	

(Continued)

Primary Examiner—Prabhakar Deshmukh
(74) *Attorney, Agent, or Firm*—Christie, Parker & Hale, LLP

(57) **CLAIM**

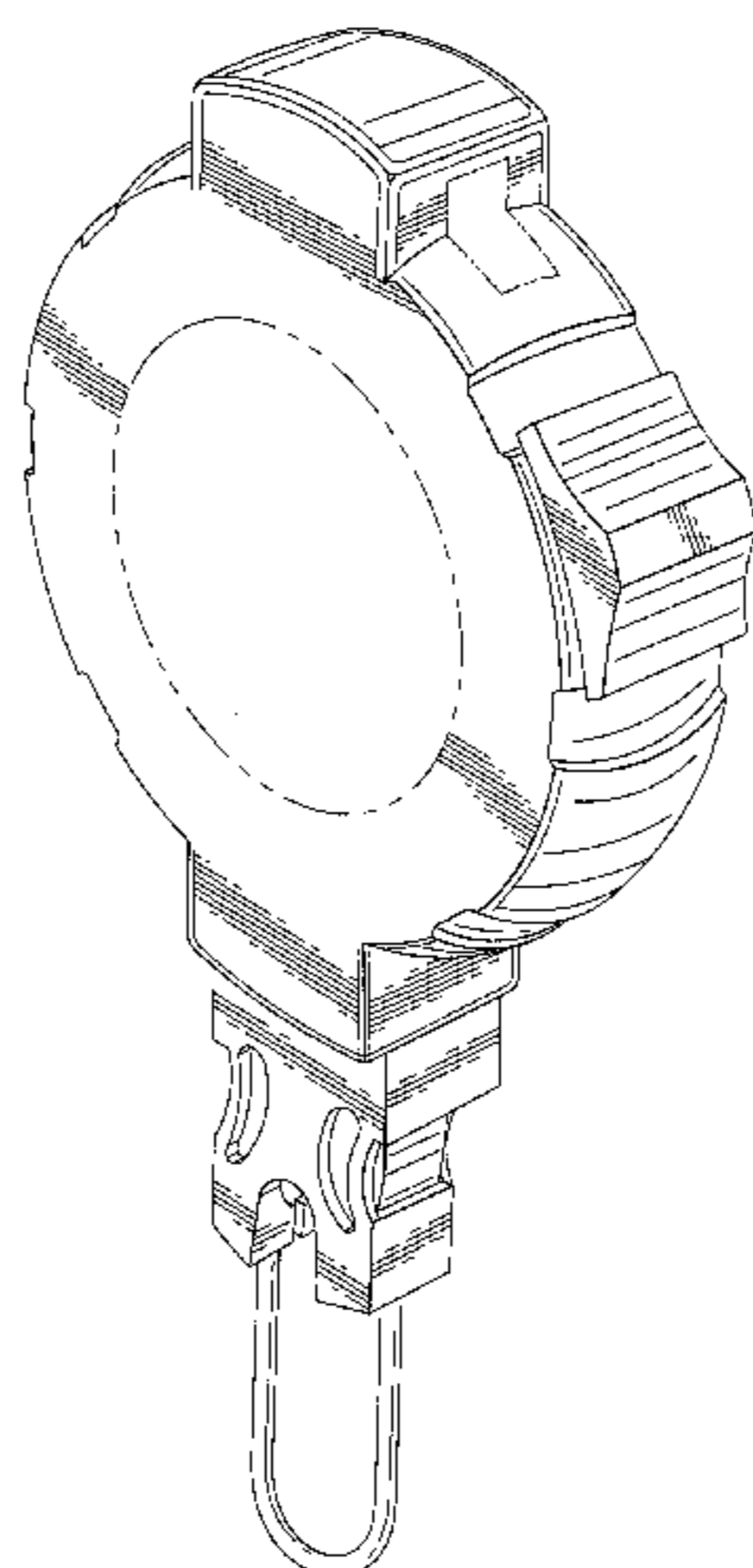
The ornamental design for a releasable attachment apparatus, as shown and described.

DESCRIPTION

FIG. 1 is a perspective view of a releasable attachment apparatus showing our new design;
FIG. 2 is a front elevational view thereof;
FIG. 3 is a right side elevational view thereof;
FIG. 4 is a rear elevational view thereof;
FIG. 5 is a left side elevational view thereof;
FIG. 6 is a top plan view thereof; and,
FIG. 7 is a bottom plan view thereof.

The broken lines, which define the bounds of the claimed design, form no part thereof.

1 Claim, 4 Drawing Sheets



US D628,043 S

Page 2

U.S. PATENT DOCUMENTS

D516,410 S *	3/2006	Johnson	D8/341	7,661,855 B2 *	2/2010	Matthew et al.	362/387
D530,184 S *	10/2006	Oas	D8/333	2001/0035242 A1	11/2001	Hughs et al.		
7,474,222 B2 *	1/2009	Yang et al.	340/572.8	2004/0032741 A1	2/2004	Tai		
7,574,999 B2 *	8/2009	Pardoski, Jr.	124/35.2	2008/0316028 A1 *	12/2008	Conti et al.	340/568.2

* cited by examiner

FIG. 1

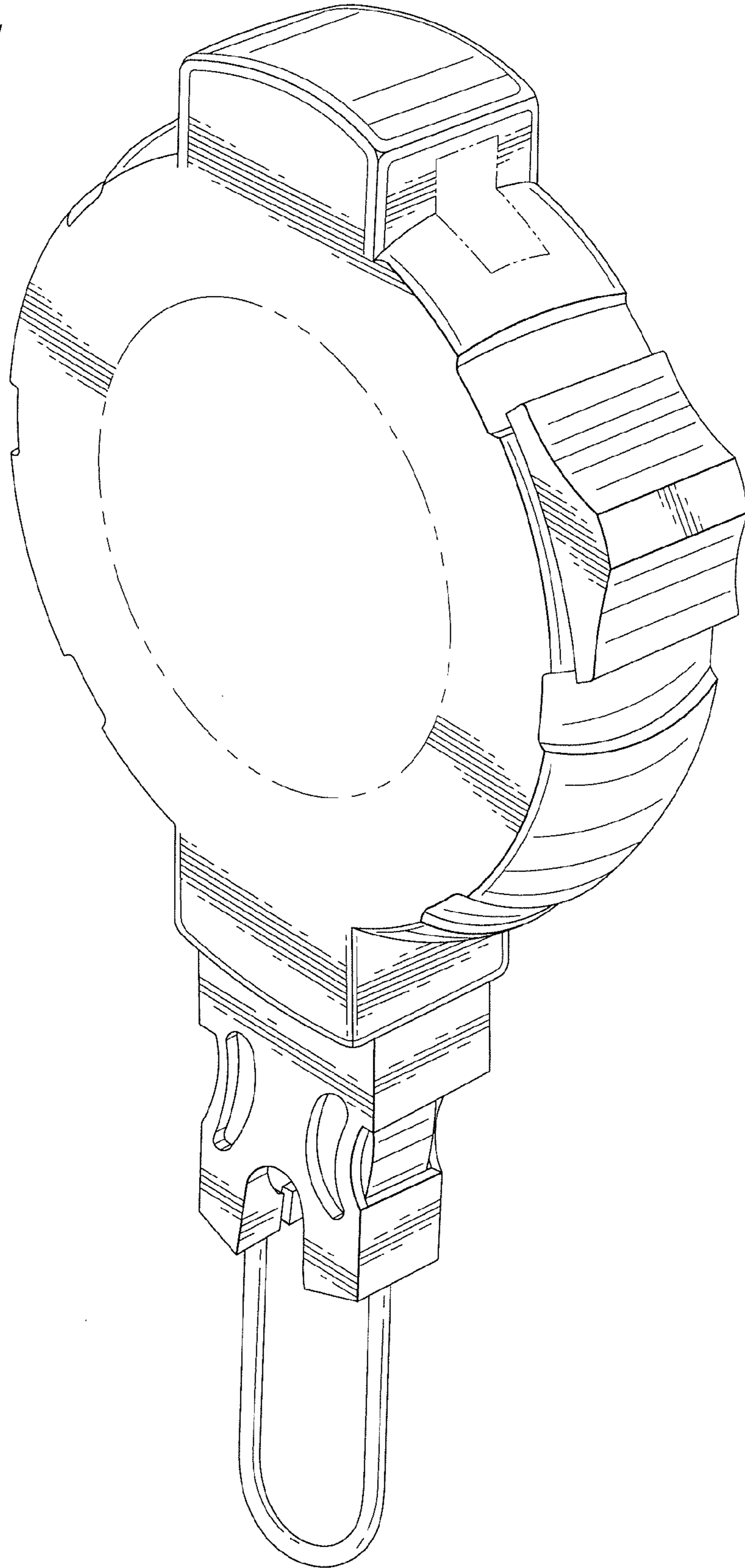


FIG. 2

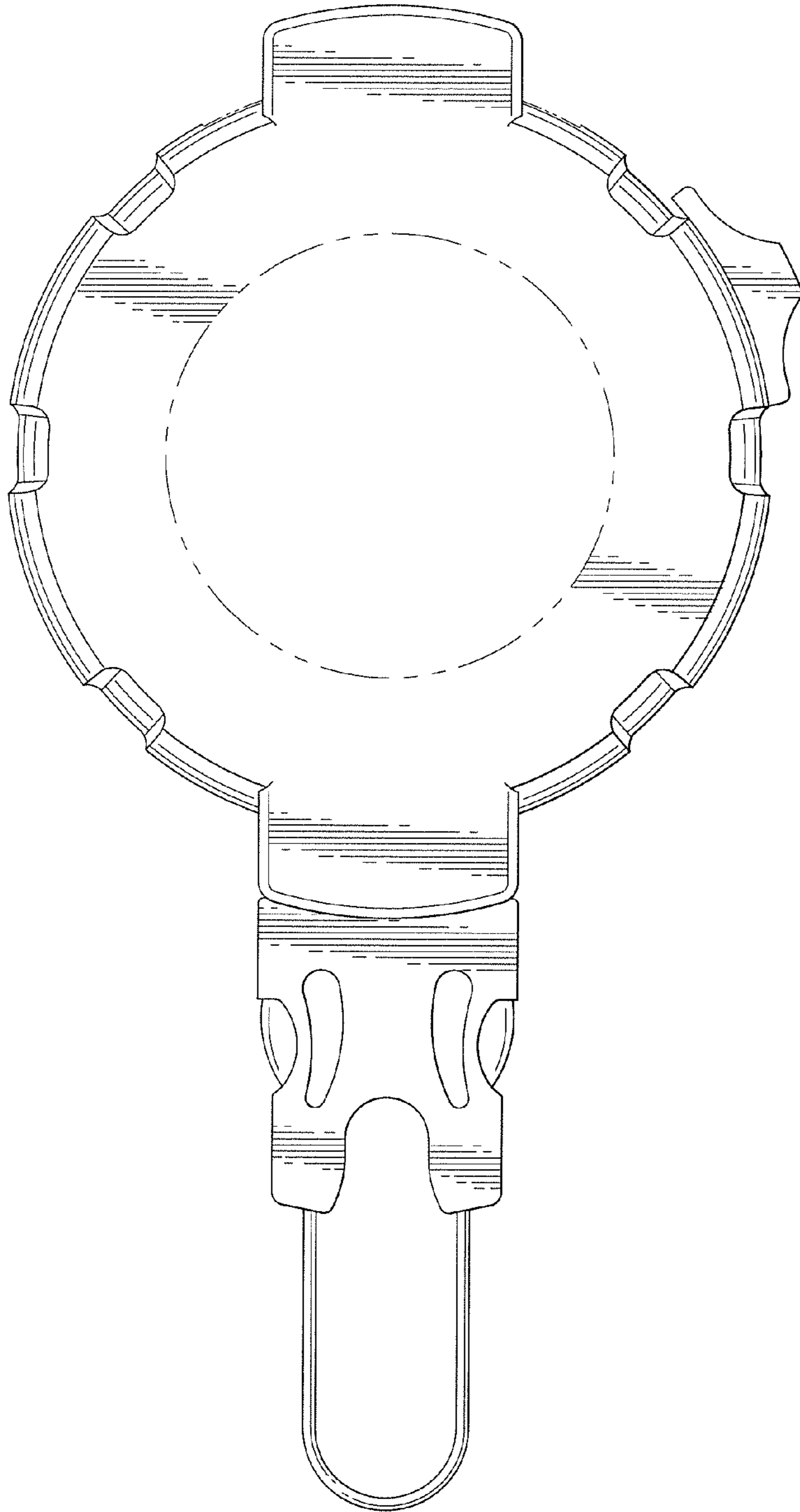


FIG. 3

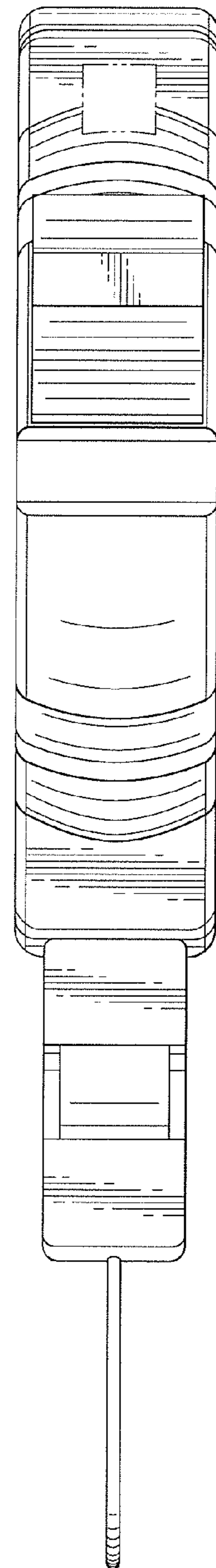


FIG. 4

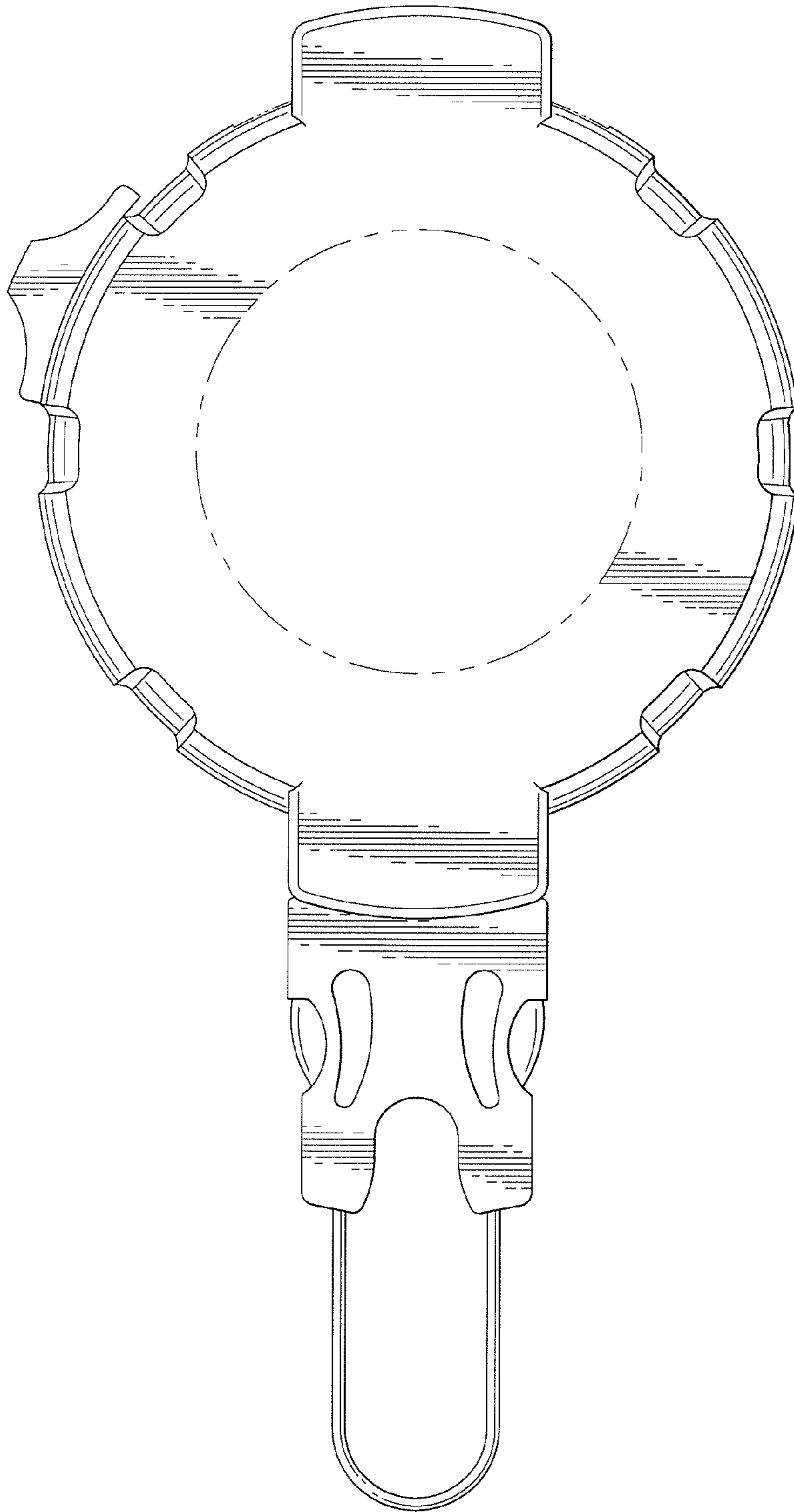


FIG. 5

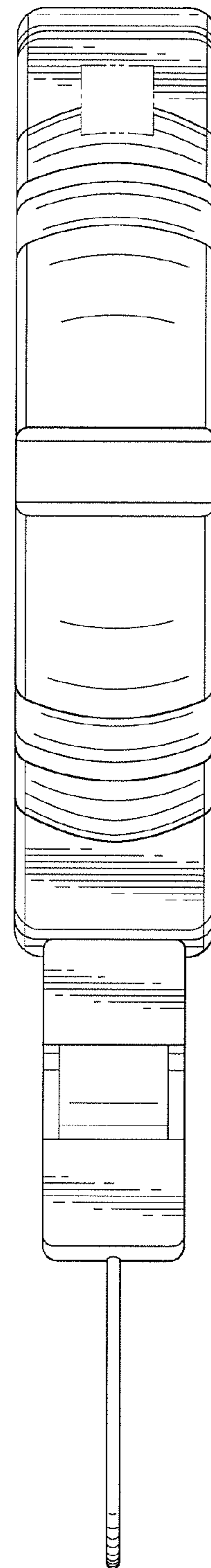


FIG. 6

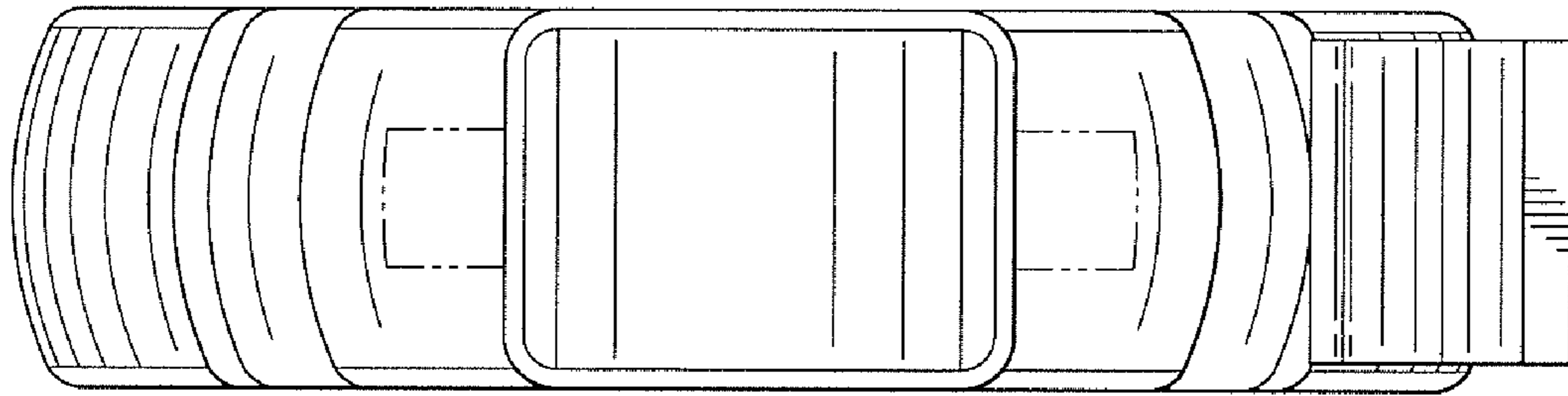


FIG. 7

