



US00D628040S

(12) **United States Design Patent**
Banasik et al.

(10) **Patent No.:** **US D628,040 S**

(45) **Date of Patent:** **** Nov. 30, 2010**

(54) **WORKPIECE FINISHING SUPPORT**

(75) Inventors: **Daniel Banasik**, Eagan, MN (US);
Steven Krohmer, Coon Rapids, MN
(US)

(73) Assignee: **Rockler Companies, Inc.**, Medina, MN
(US)

(**) Term: **14 Years**

(21) Appl. No.: **29/356,003**

(22) Filed: **Feb. 18, 2010**

Related U.S. Application Data

(62) Division of application No. 29/332,004, filed on Feb. 6, 2009, now Pat. No. Des. 612,227.

(51) **LOC (9) Cl.** **08-05**

(52) **U.S. Cl.** **D8/71; D8/373**

(58) **Field of Classification Search** D8/301,
D8/302, 355, 367, 371, 372, 373, 382, 395;
D10/83, 99; 248/74.2, 100, 201, 214, 215,
248/216.1, 218.1, 231, 231.91, 243, 301,
248/302, 303, 304, 309.1, 322, 339, 340,
248/467, 493, 496, 497, 498, 547; 16/413;
24/265 H, 563, 907; 211/13.1, 60.1, 65,
211/66, 87.01; 404/134; D19/34.1, 91;
D6/323, 553; D26/37; D22/149

See application file for complete search history.

(56) **References Cited**

U.S. PATENT DOCUMENTS

4,129,217 A 12/1978 Campbell

(Continued)

FOREIGN PATENT DOCUMENTS

DE 1904781 8/1970

(Continued)

OTHER PUBLICATIONS

Cam Clamps, 1 page, Rockler Woodworking and Hardware, website screen print (known prior to Aug. 17, 2006).

(Continued)

Primary Examiner—Robert M Spear

Assistant Examiner—Barbara B Lohr

(74) *Attorney, Agent, or Firm*—Altera Law Group, LLC

(57) **CLAIM**

The ornamental design for a workpiece finishing support, as shown and described.

DESCRIPTION

FIG. 1 is an isometric view of a workpiece finishing support; FIG. 2 is a side elevational view, as taken from the right side in FIG. 1;

FIG. 3 is a side elevational view, as taken from the left (unseen) side in FIG. 1;

FIG. 4 is an end elevational view, as taken from the left end in FIG. 1;

FIG. 5 is an end elevational view, as taken from the unseen end in FIG. 1;

FIG. 6, is a top plan view; and,

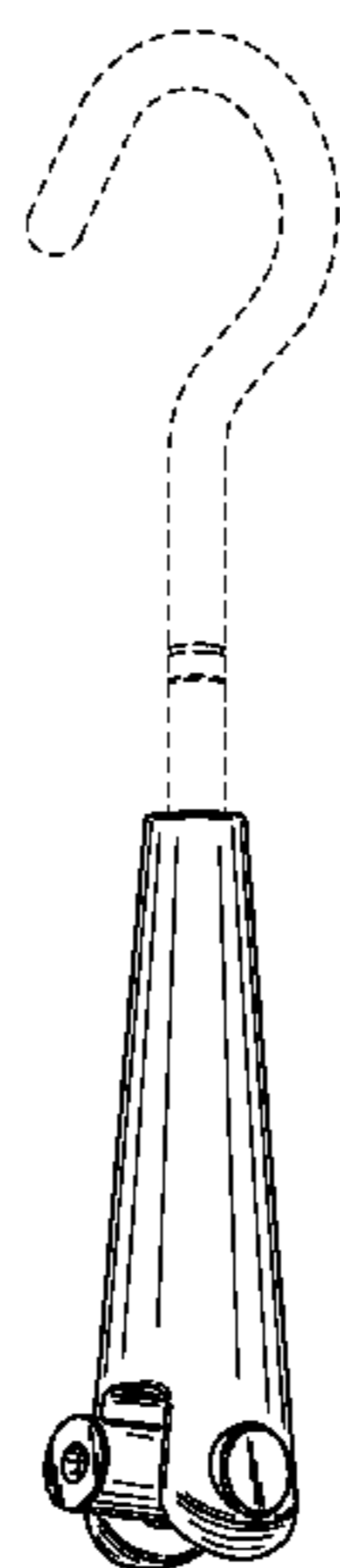
FIG. 7 is a bottom plan view.

In the embodiments illustrated in FIGS. 1-7, a mounting base MB is pivotally connected to the base B at a pivot pin connection PP. The mounting base MB can pivot about an axis of the pivot pin connection PP to the extent allowed by the shape of the base B. The design of the embodiments illustrated in FIGS. 1-7 includes all configurations of the mounting base MB as pivoted relative to the base B.

The reference characters B, MD and PP, and their respective lead lines, in FIG. 1 are for identification purposes only and form no part of the claimed designs.

The broken lines in FIGS. 1-7 are for illustrative purposes only and form no part of the claimed design in that embodiment.

1 Claim, 4 Drawing Sheets



US D628,040 S

Page 2

U.S. PATENT DOCUMENTS

4,361,931 A 12/1982 Schnelle et al.
5,464,796 A 11/1995 Petersen et al.
D377,080 S * 12/1996 Johnston D22/149
5,737,804 A 4/1998 Ferrari et al.
6,032,333 A 3/2000 Brustle
D455,947 S * 4/2002 Goodman et al. D8/367
D480,947 S * 10/2003 Snell D8/372
6,845,544 B2 1/2005 Hofer

7,017,895 B2 3/2006 Sakamoto

FOREIGN PATENT DOCUMENTS

DE 2524503 12/1976
DE 2837327 3/1980

OTHER PUBLICATIONS

Blum Inserts Hinges—disclosure and photos from www.rockler.com
(hinge mount with expanding gripper arms known prior to Aug. 17,
2006), 7 pages.

* cited by examiner

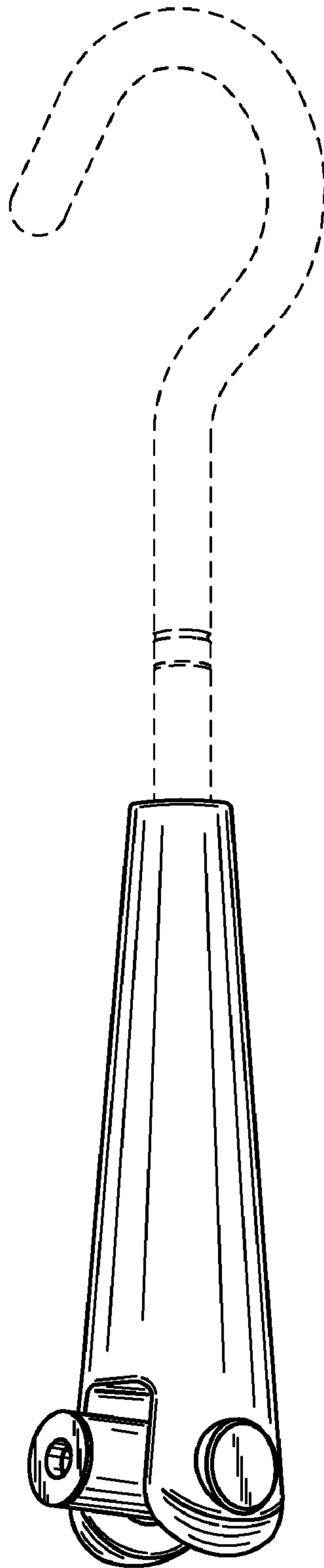


Fig. 1

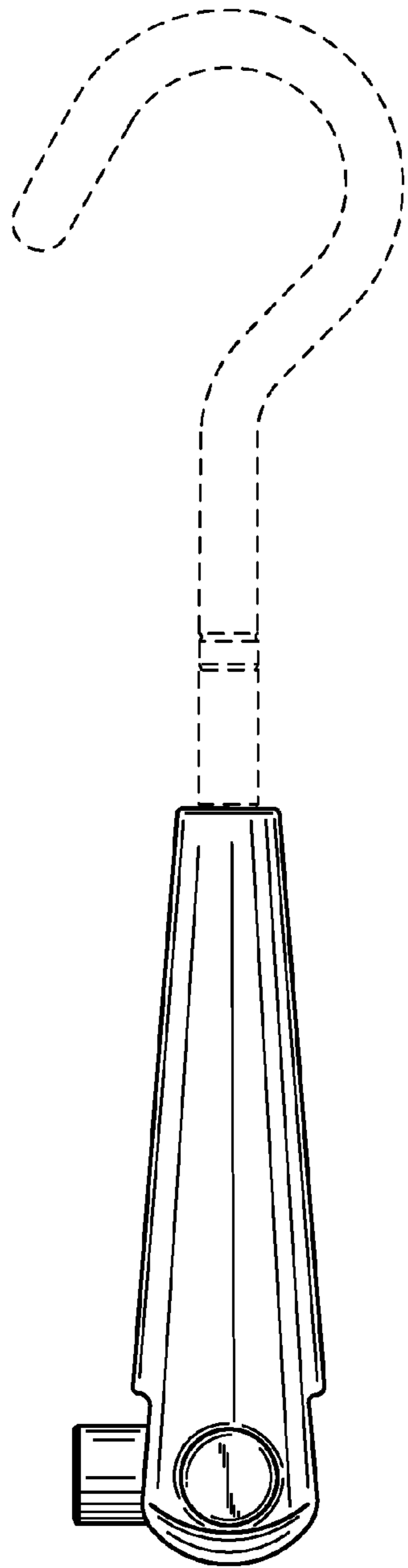


Fig. 2

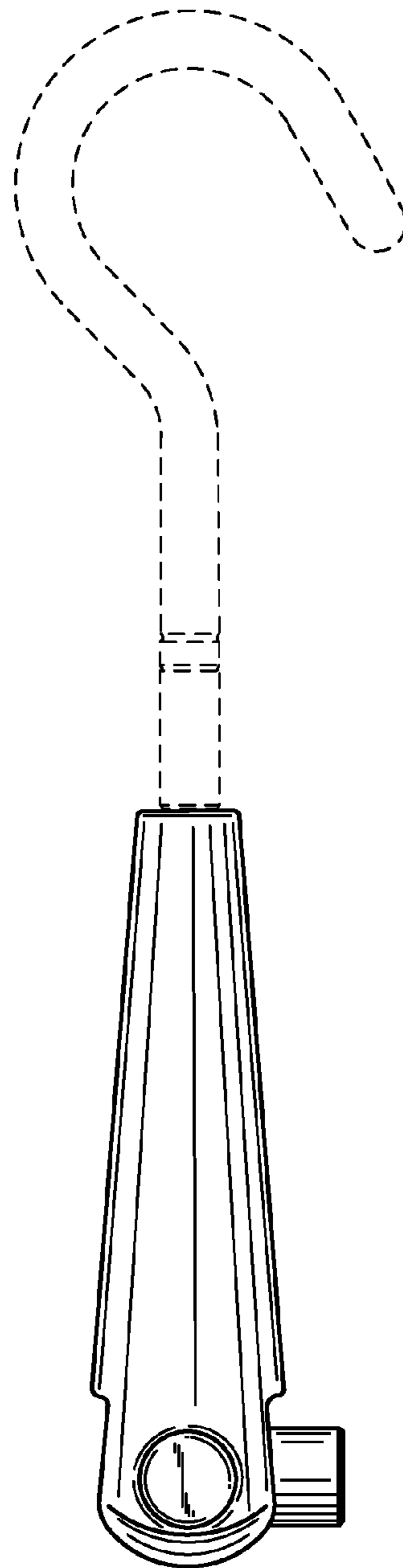


Fig. 3

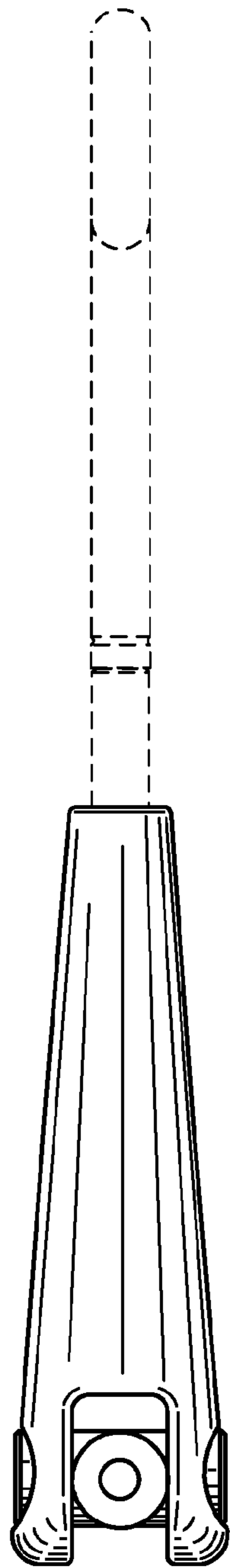


Fig. 4

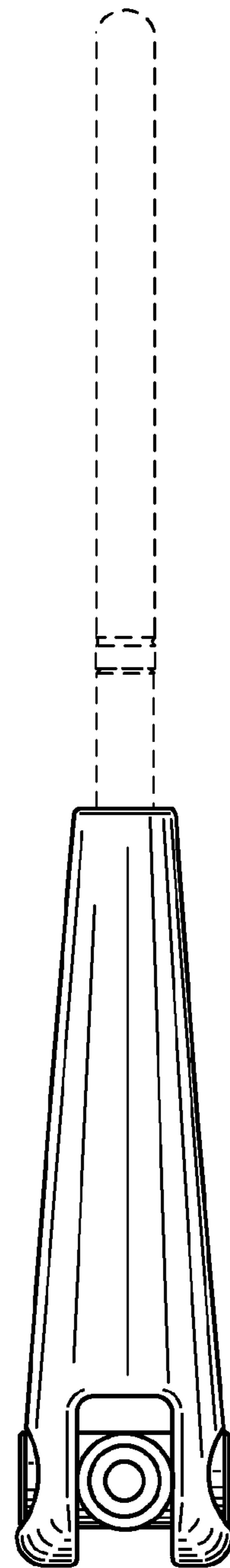


Fig. 5

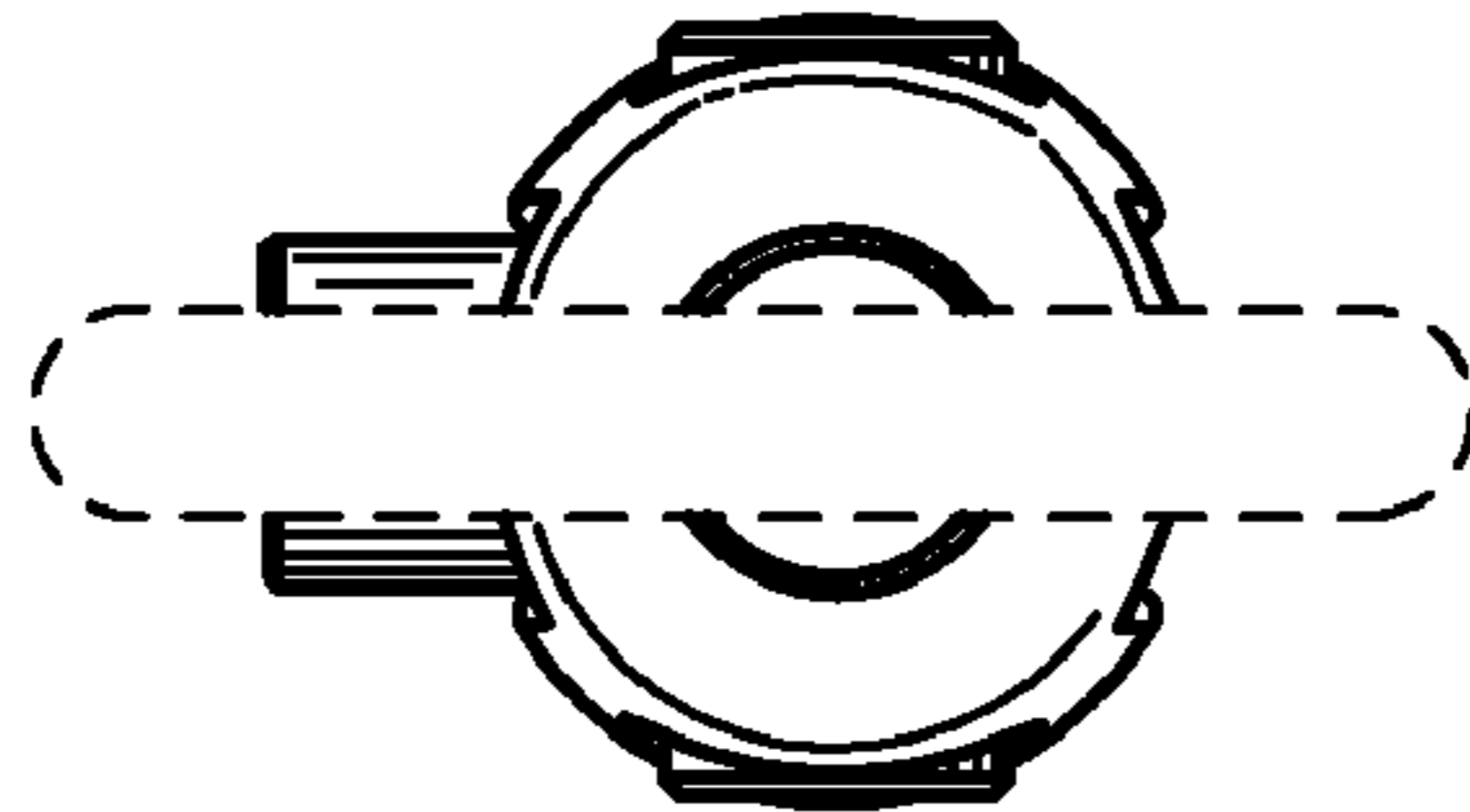


Fig. 6

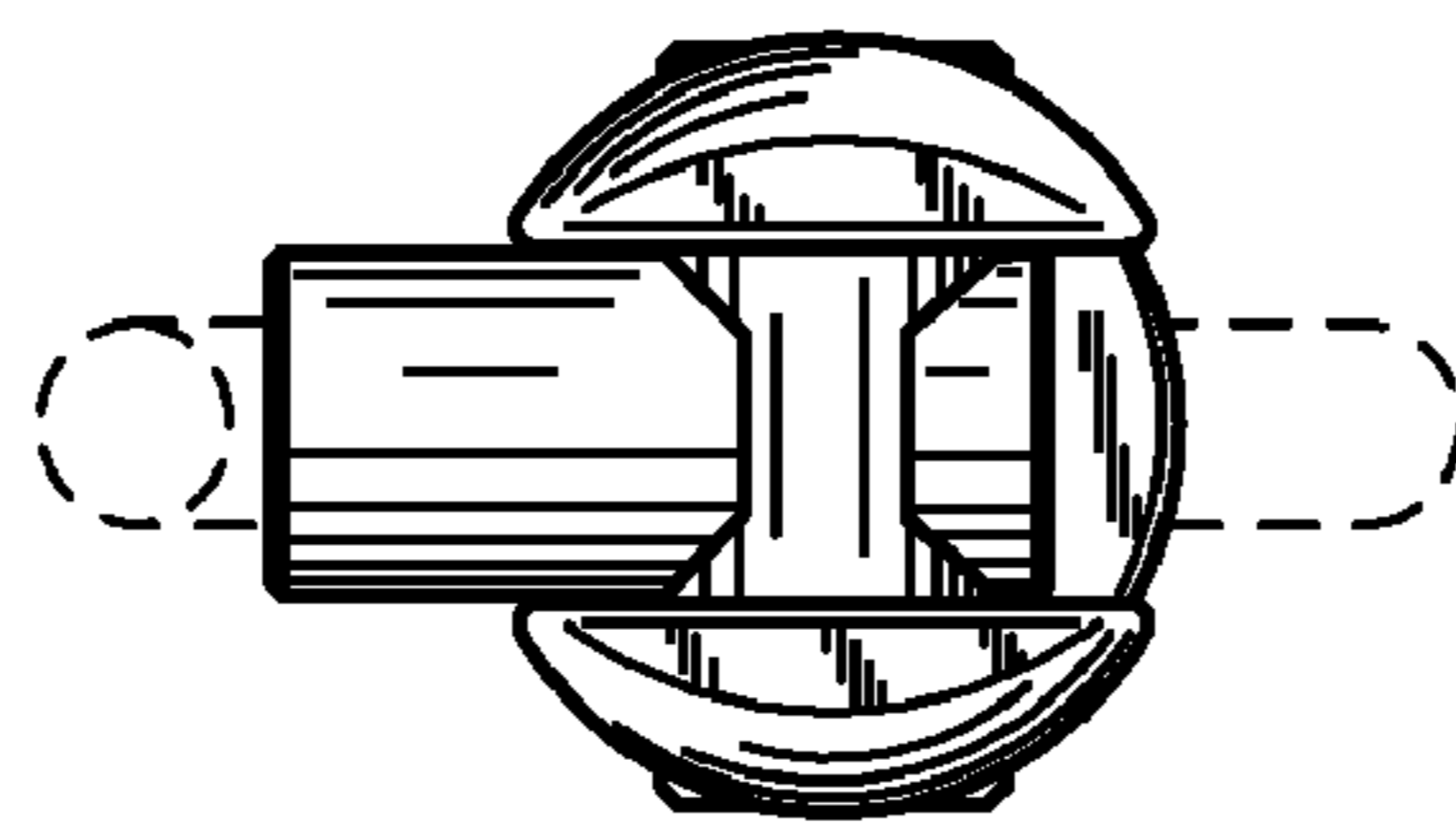


Fig. 7