



US00D628039S

(12) **United States Design Patent**  
**Aoki et al.**

(10) **Patent No.:** **US D628,039 S**  
(45) **Date of Patent:** **\*\* Nov. 30, 2010**

(54) **PORTABLE ELECTRIC DRIVER**

(75) Inventors: **Yoshiki Aoki**, Hitachinaka (JP); **Takeshi Taniguchi**, Hitachinaka (JP); **Masanori Okada**, Hitachinaka (JP); **Yuko Tazawa**, Hitachinaka (JP); **Hiroki Uchida**, Hitachinaka (JP); **Atsushi Sumi**, Hitachinaka (JP)

(73) Assignee: **Hitachi Koki Co., Ltd.**, Tokyo (JP)

(\*\*) Term: **14 Years**

(21) Appl. No.: **29/347,740**

(22) Filed: **May 4, 2010**

(30) **Foreign Application Priority Data**

Dec. 16, 2009 (JP) ..... D2009-029183

(51) **LOC (9) Cl.** ..... **08-04**

(52) **U.S. Cl.** ..... **D8/68**

(58) **Field of Classification Search** ..... D8/61-70;  
81/57.11, 429, 454-456, 469, 489; 173/13,  
173/46, 104, 114, 167-173, 178, 201, 211,  
173/213, 214, 217, 198; 227/8, 113, 114,  
227/120, 130, 136, 142; 310/50; 408/20,  
408/35, 117, 124, 125, 234, 241 R, 58, 67;  
451/358; 7/158, 165

See application file for complete search history.

(56) **References Cited**

**U.S. PATENT DOCUMENTS**

7,108,079 B2 \* 9/2006 Sakai et al. .... 173/217

D532,667 S \* 11/2006 Tsai et al. .... D8/68

7,201,235 B2 \* 4/2007 Umemura et al. .... 173/217

D617,621 S \* 6/2010 Houghton et al. .... D8/68

\* cited by examiner

*Primary Examiner*—Antoine D Davis

(74) *Attorney, Agent, or Firm*—McDermott Will & Emery LLP

(57) **CLAIM**

The ornamental design for a portable electric driver, as shown and described.

**DESCRIPTION**

FIG. 1 is a perspective view of top, front and left side of a portable electric driver showing our new design;

FIG. 2 is a perspective view of top, front and right side thereof;

FIG. 3 is a front view thereof;

FIG. 4 is a rear view thereof;

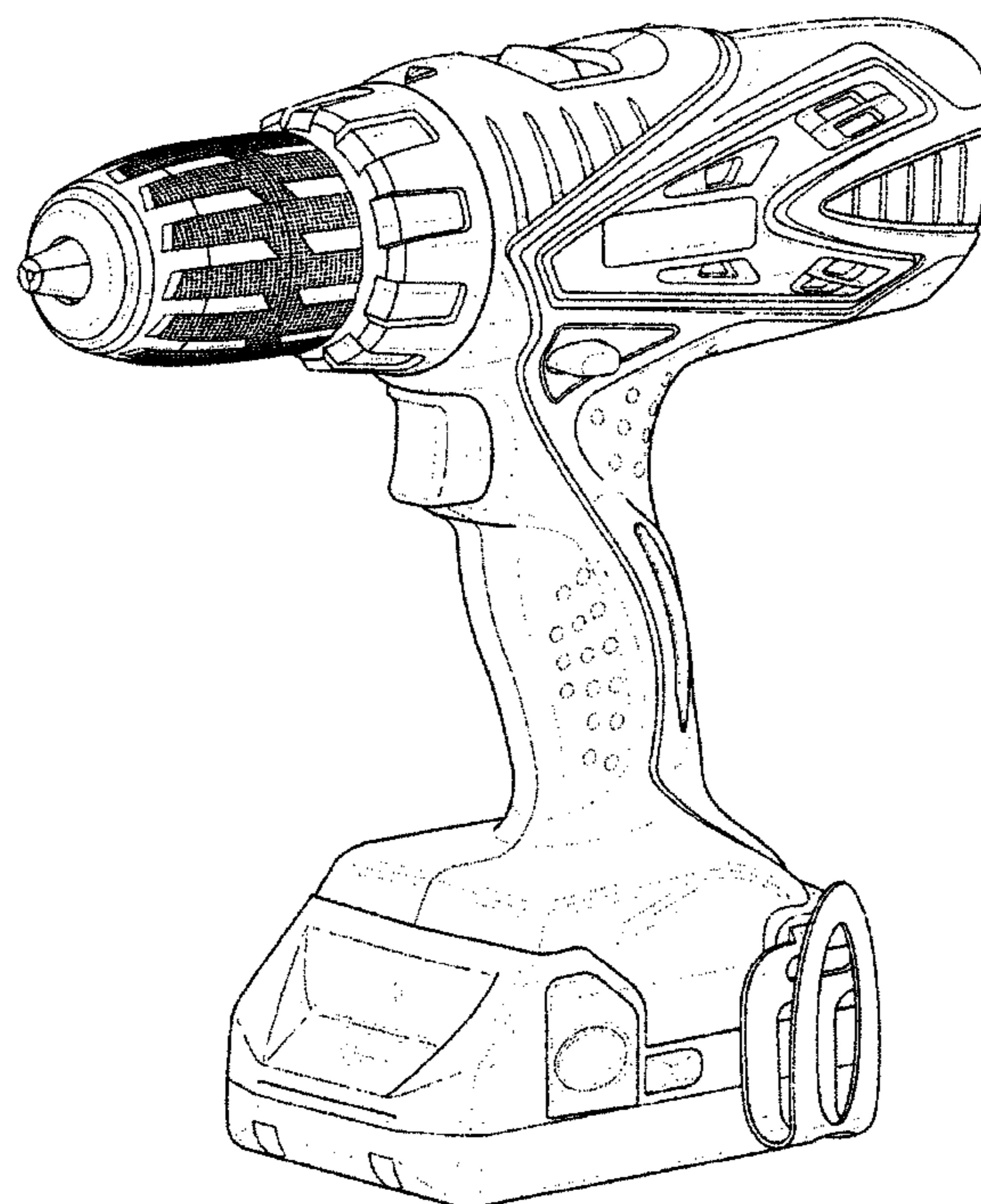
FIG. 5 is a top plan view thereof;

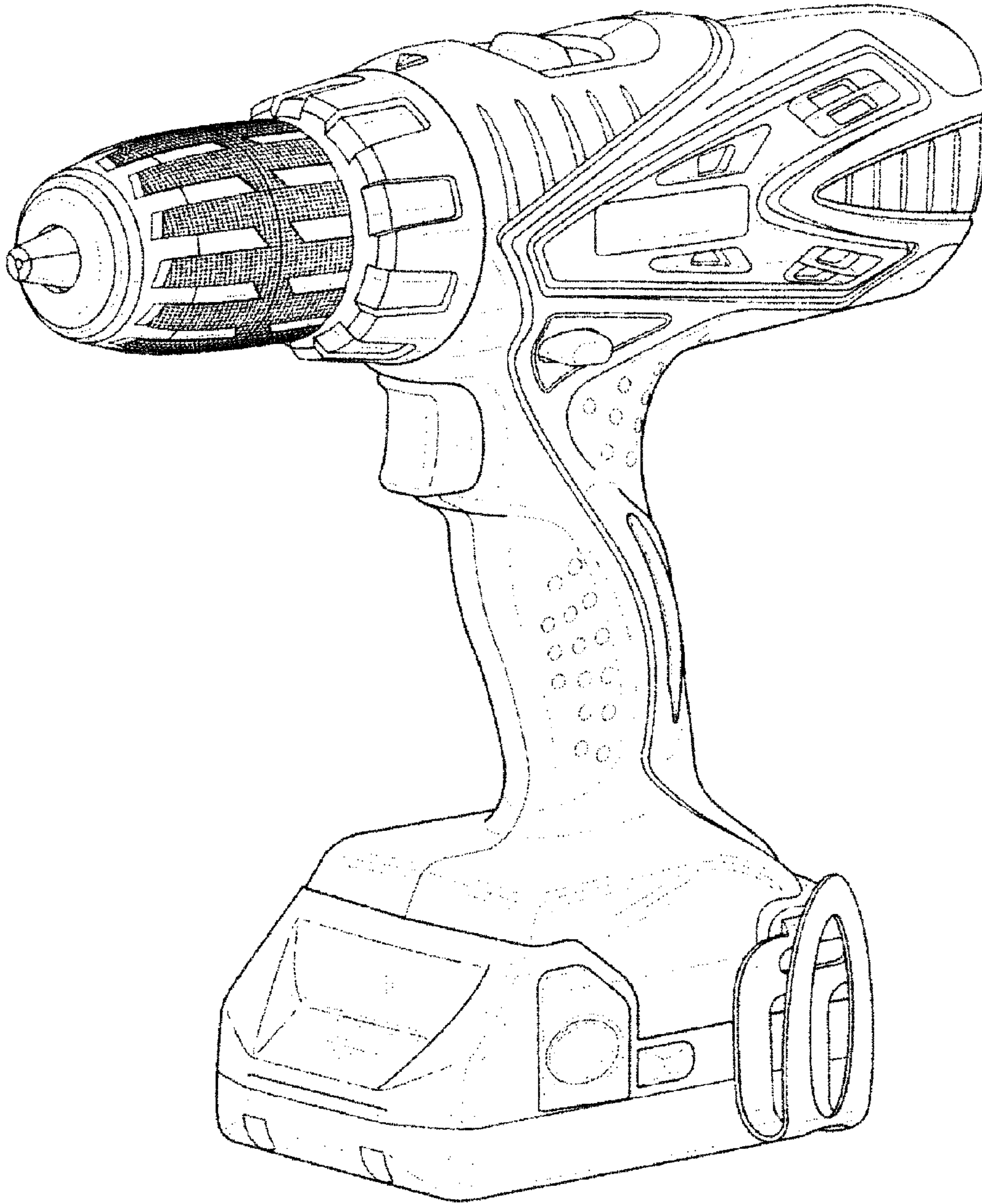
FIG. 6 is a bottom view thereof;

FIG. 7 is a left side view thereof; and,

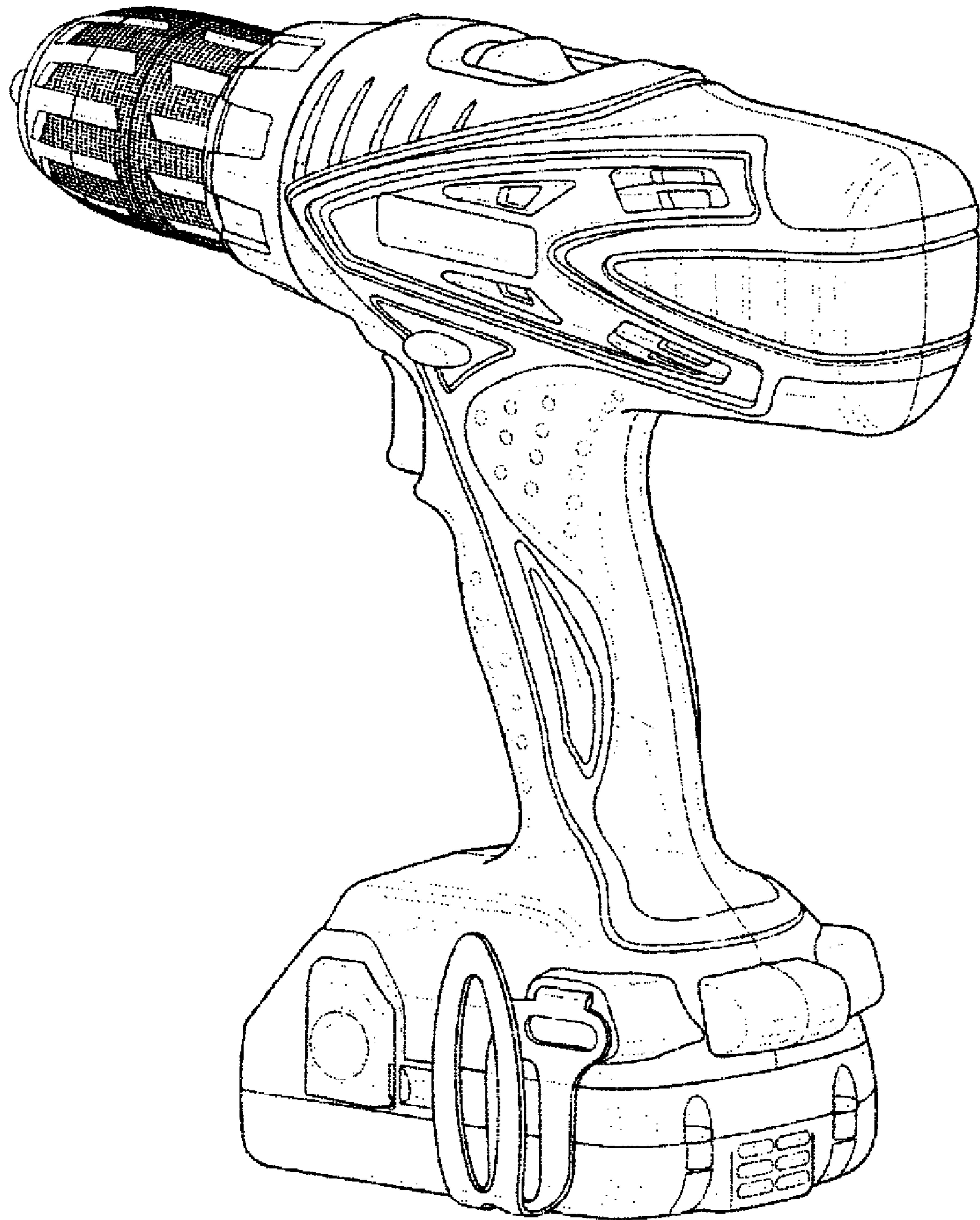
FIG. 8 is a right side view thereof.

**1 Claim, 6 Drawing Sheets**





**FIG. 1**



**FIG. 2**

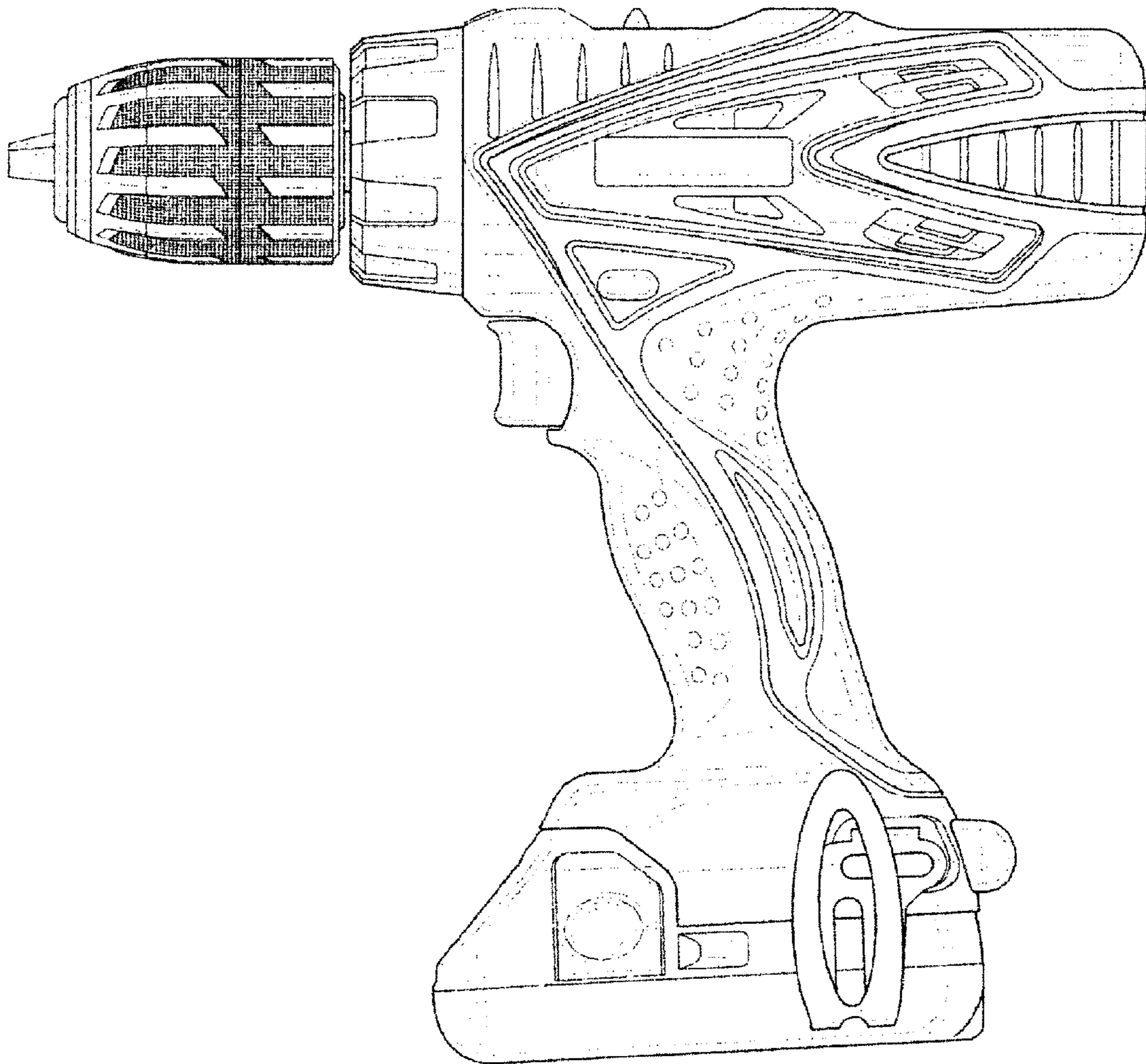


FIG. 3

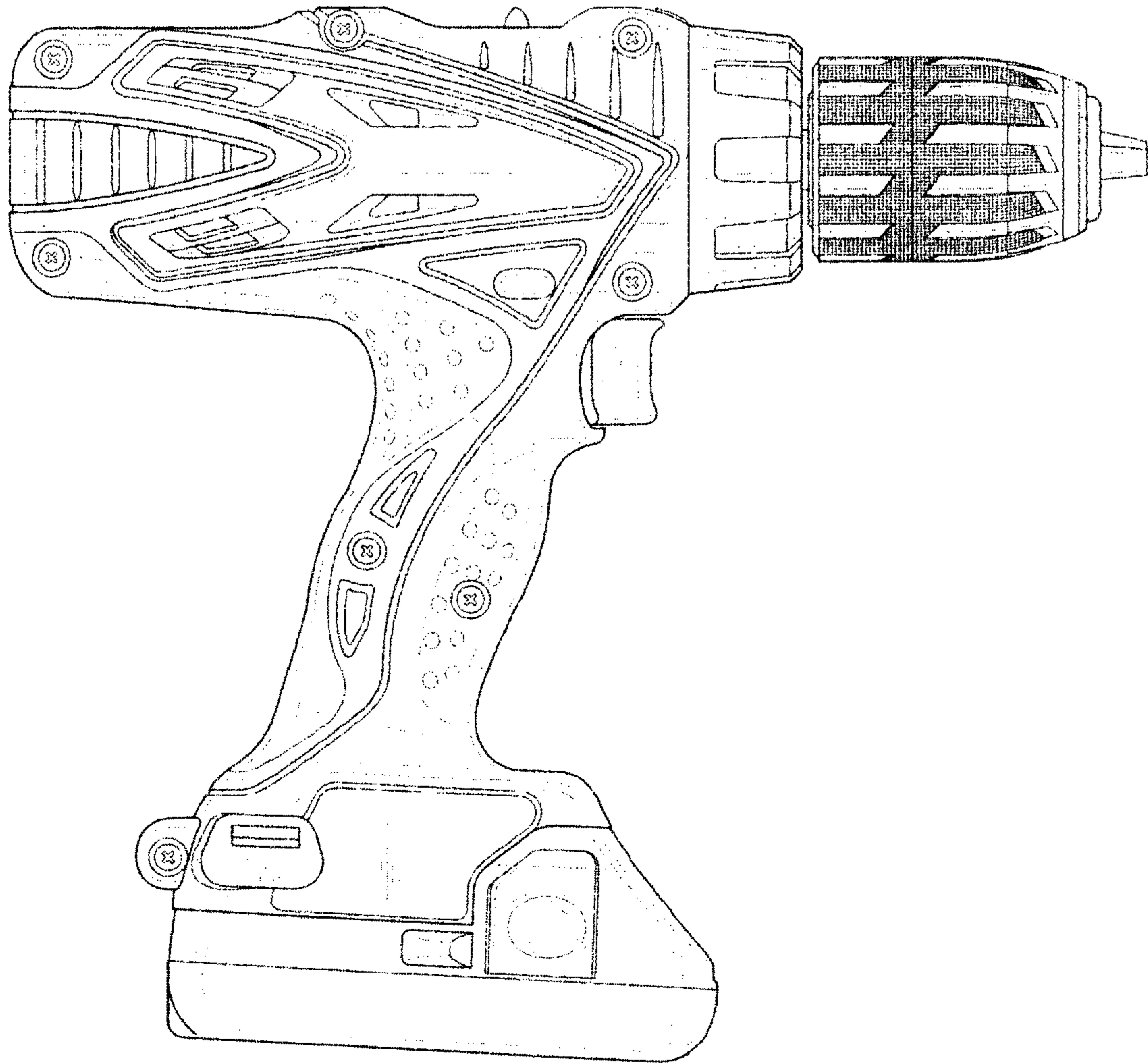


FIG. 4

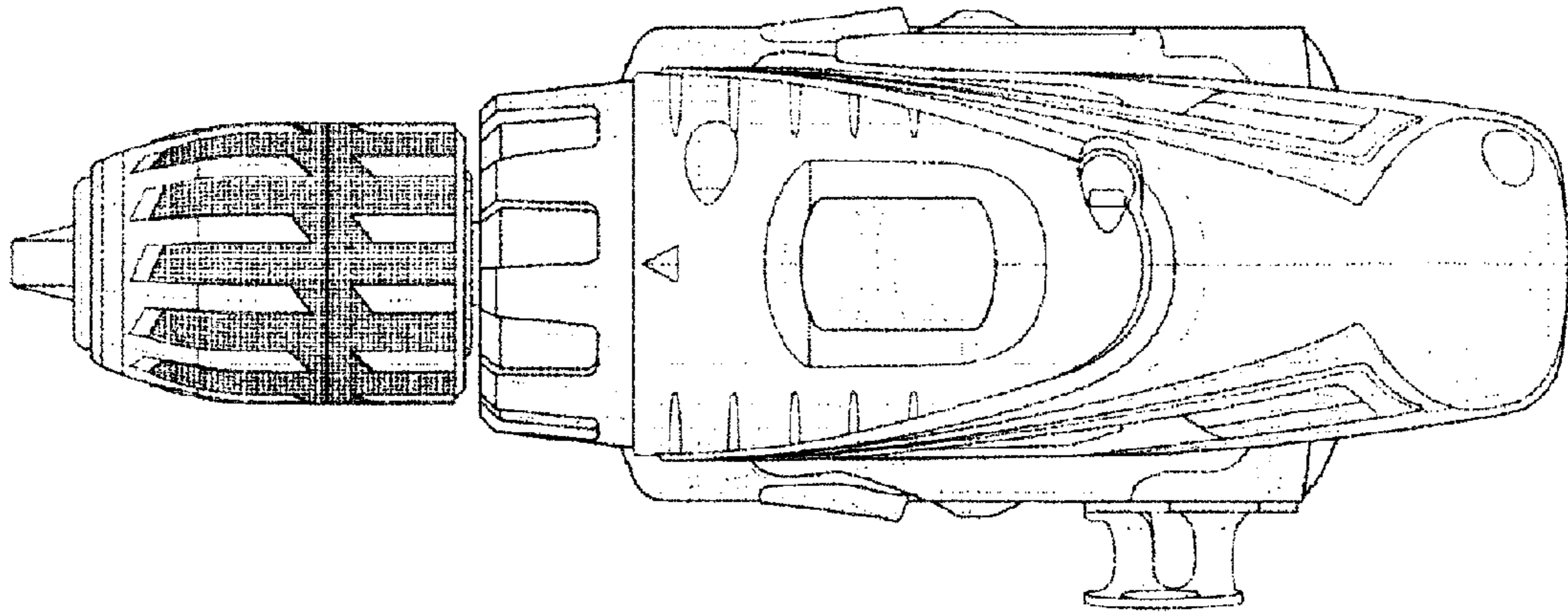


FIG. 5

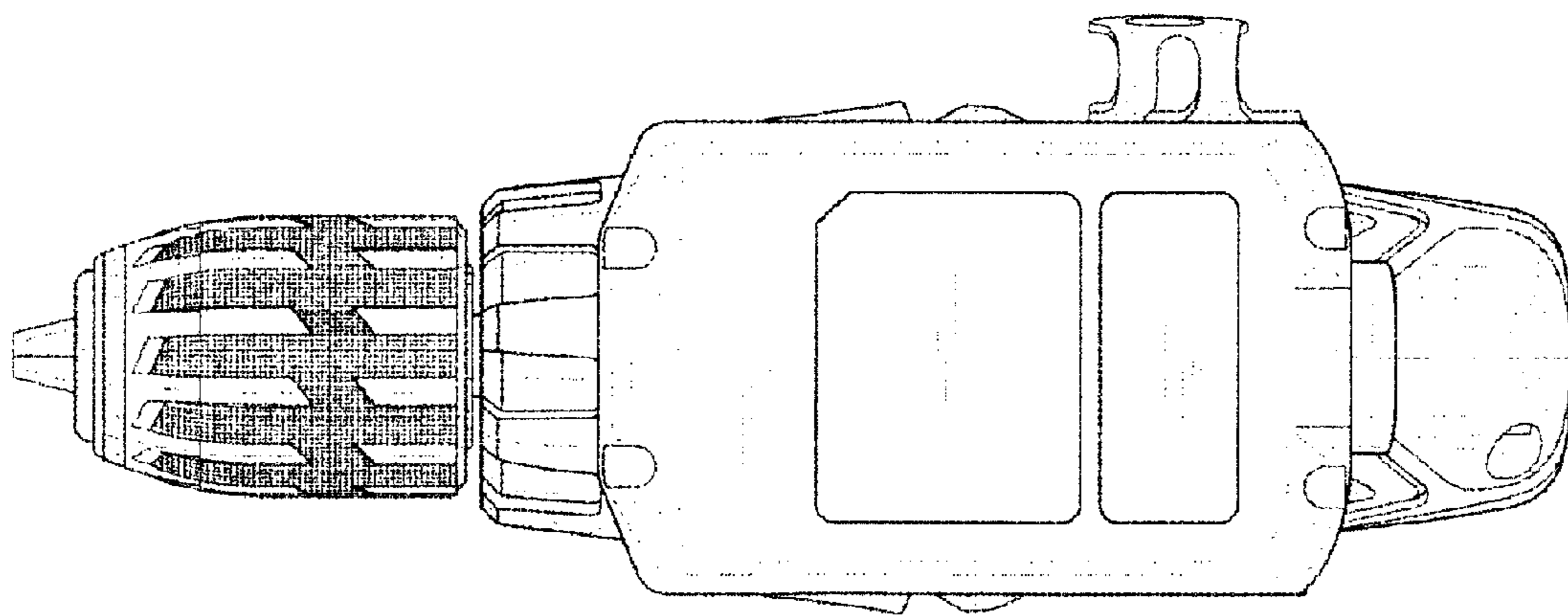


FIG. 6

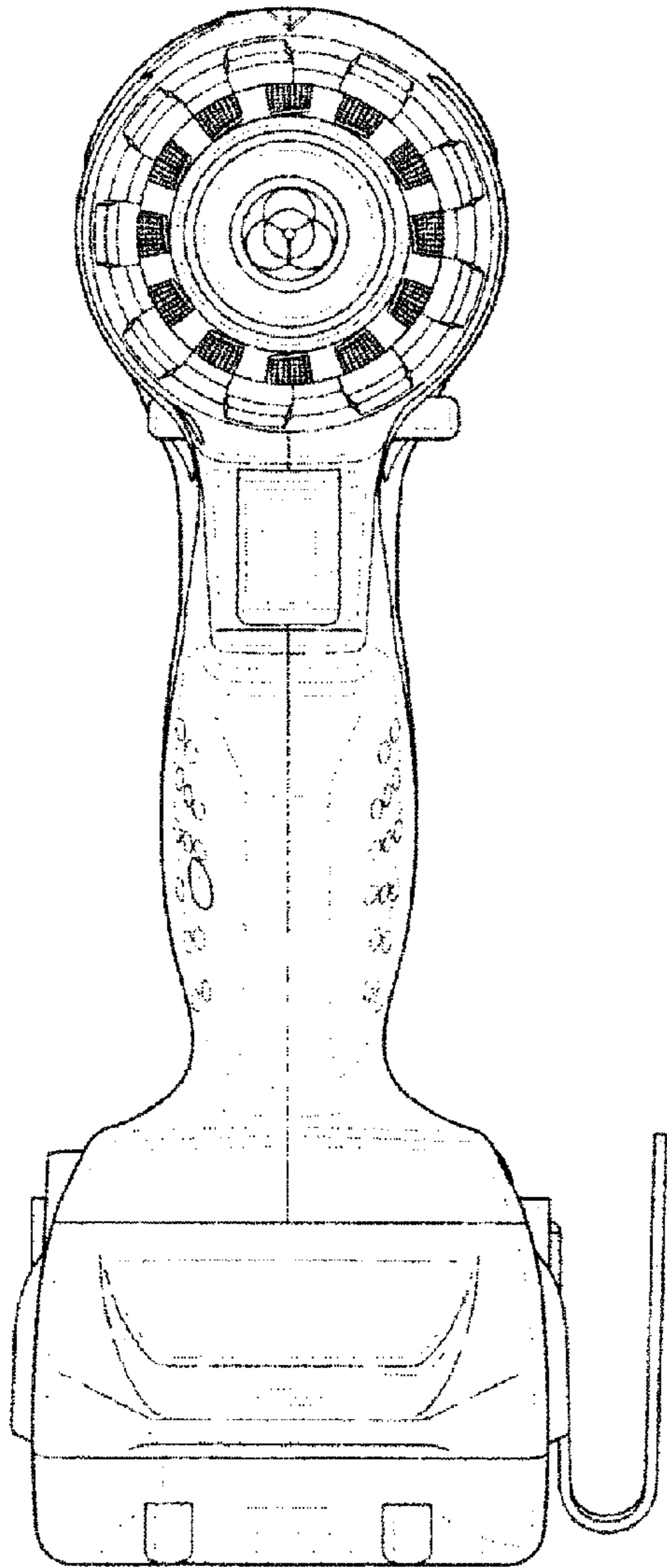


FIG. 7

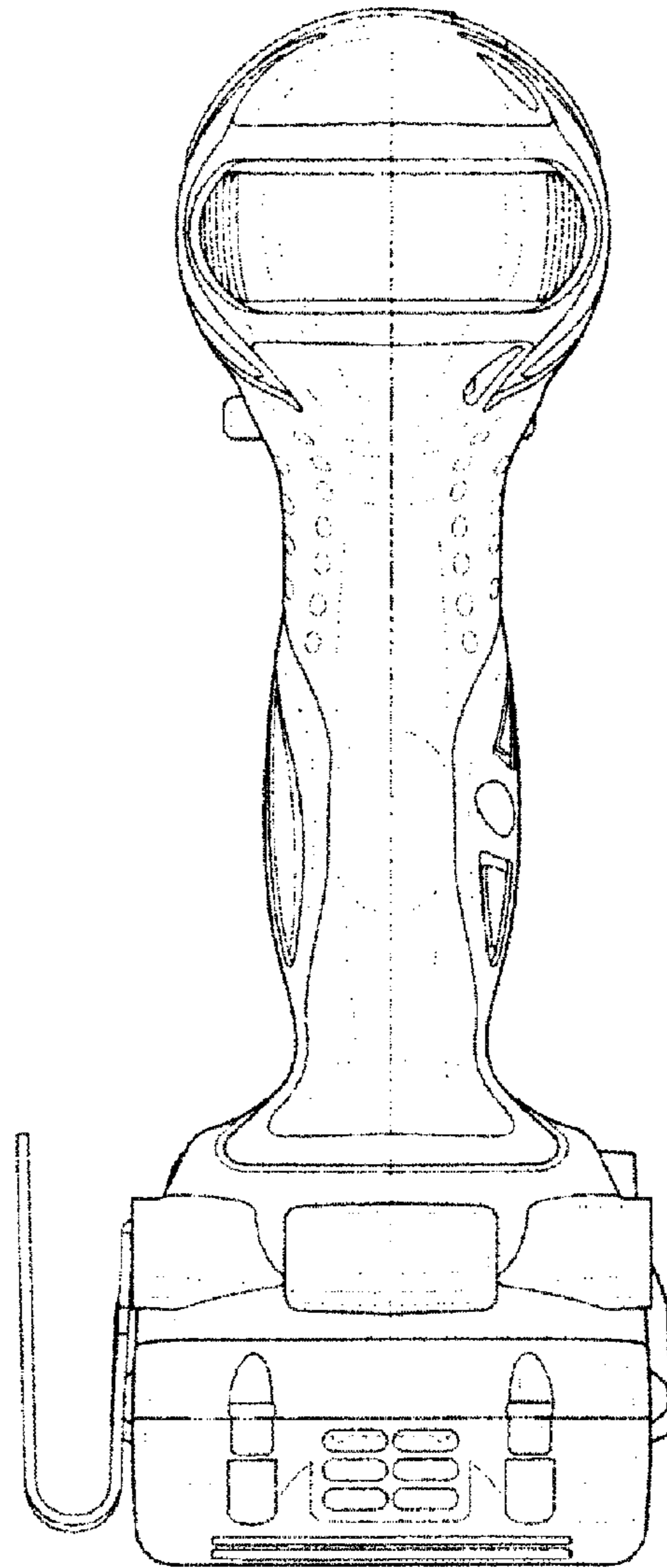


FIG. 8