



US00D628034S

(12) **United States Design Patent**
Albertson et al.

(10) **Patent No.:** **US D628,034 S**

(45) **Date of Patent:** **** Nov. 30, 2010**

(54) **STRING TRIMMER KNIFE**

D389,382 S * 1/1998 Houle D8/8
6,658,741 B2 12/2003 Paluszek

(76) Inventors: **Robert V. Albertson**, S. 2210 Highway
35, Alma, WI (US) 54610; **Deah L.**
Udell, 2166 Shadywood Rd., Wayzata,
MN (US) 55391

* cited by examiner

Primary Examiner—Holly H Baynham

Assistant Examiner—Sheryl Lane

(74) *Attorney, Agent, or Firm*—Richard John Bartz

(**) Term: **14 Years**

(21) Appl. No.: **29/348,803**

(57) **CLAIM**

(22) Filed: **Feb. 12, 2010**

The ornamental design for the string trimmer knife, as shown
and described.

(51) **LOC (9) Cl.** **08-01**

(52) **U.S. Cl.** **D8/8**

(58) **Field of Classification Search** D8/8,
D8/7; 30/276, 347; 56/12.7

See application file for complete search history.

DESCRIPTION

FIG. 1 is a perspective view of the string trimmer knife of our
design;

FIG. 2 is top plan view thereof;

FIG. 3 is a front elevational view thereof;

FIG. 4 is a rear elevational view thereof;

FIG. 5 is an end elevational view of the right end thereof;

FIG. 6 is an end elevational view of the left end thereof; and,

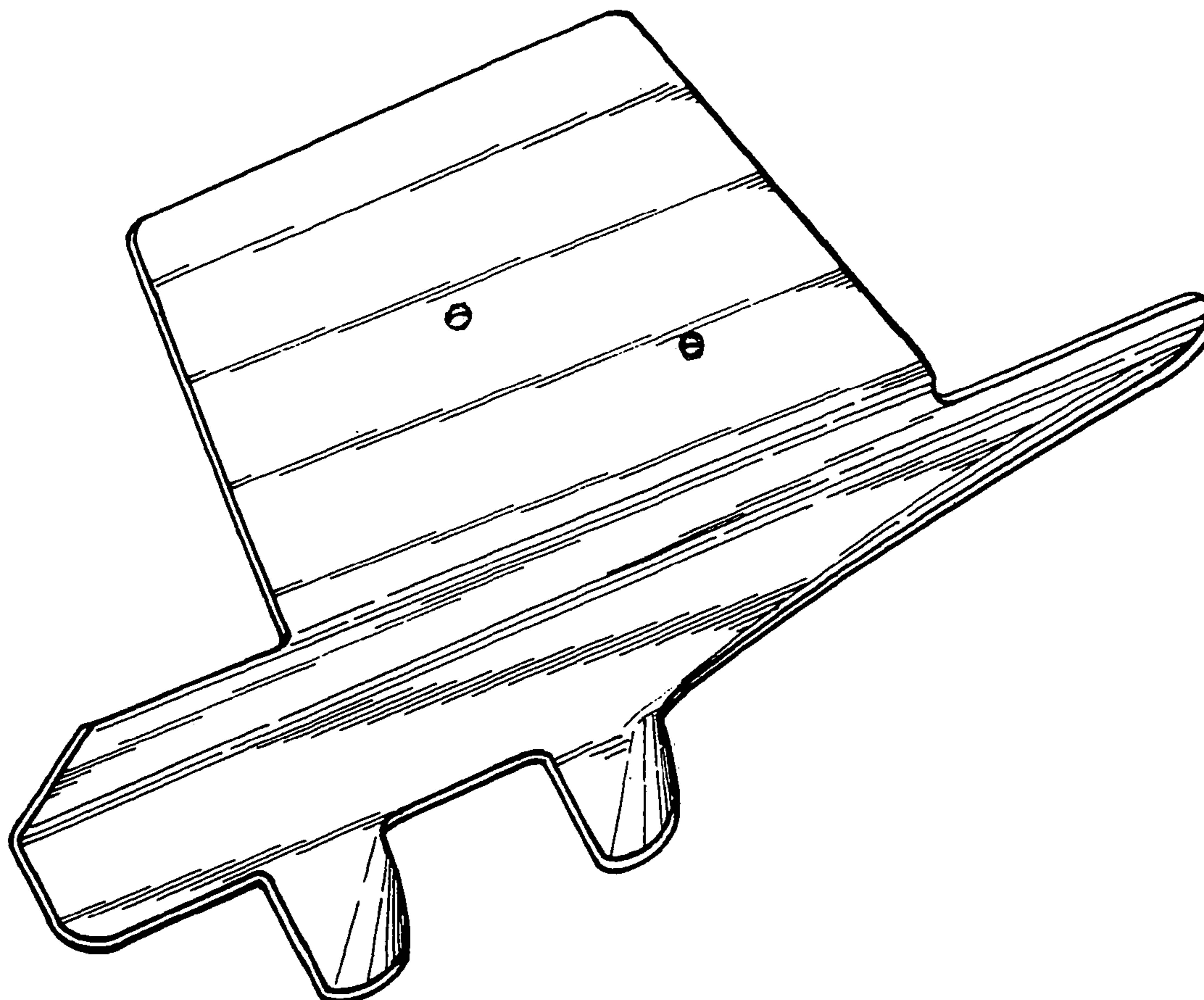
FIG. 7 is a bottom plan view thereof.

(56) **References Cited**

U.S. PATENT DOCUMENTS

3,103,009	A *	9/1963	House, Jr.	56/295
D268,640	S *	4/1983	Bonforte	D8/8
D268,641	S *	4/1983	Bonforte	D15/17
D347,150	S *	5/1994	Falconbridge	D8/8
5,394,612	A *	3/1995	Wolfington	30/347
D357,482	S *	4/1995	Forbush	D15/17

1 Claim, 3 Drawing Sheets



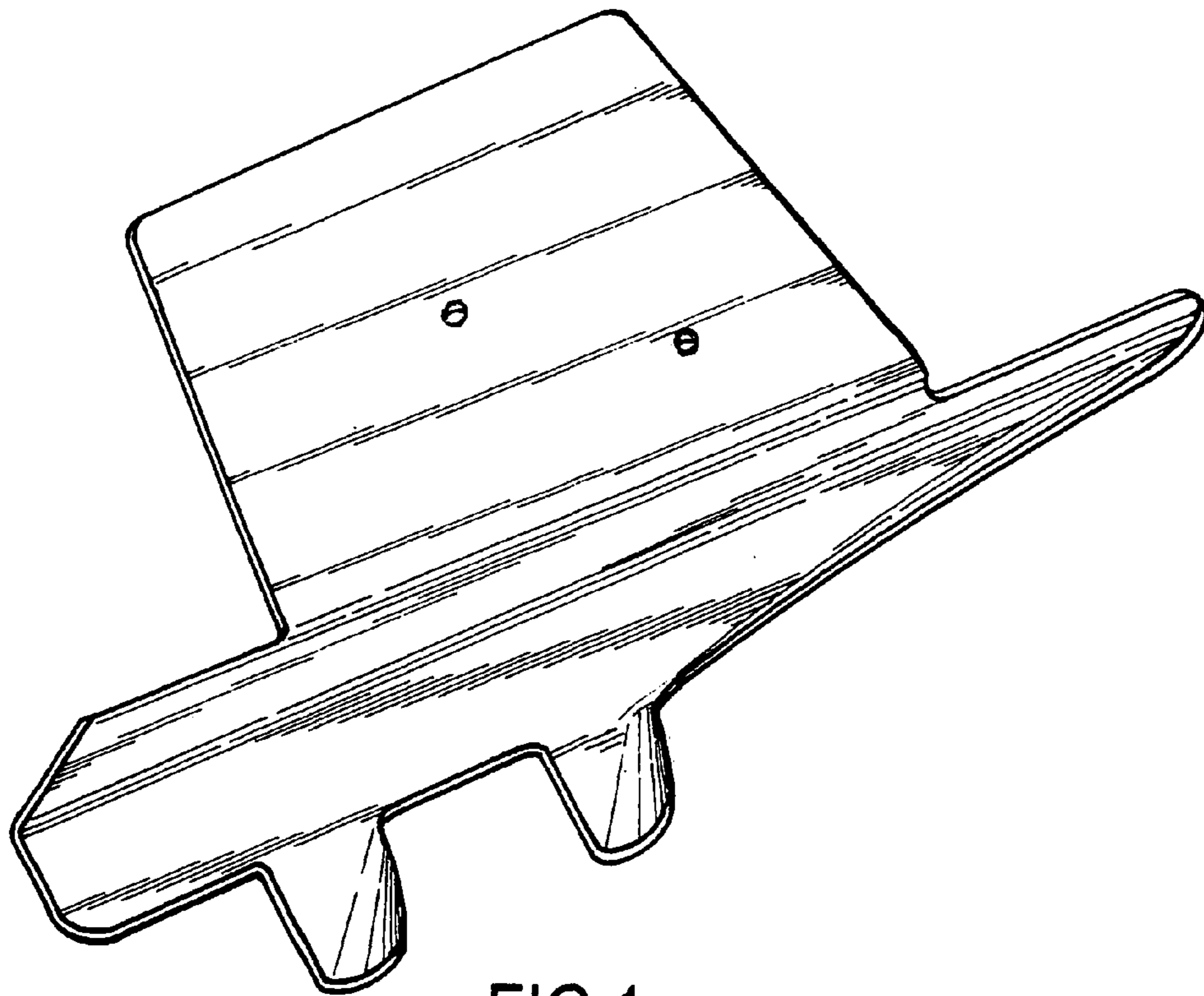


FIG.1

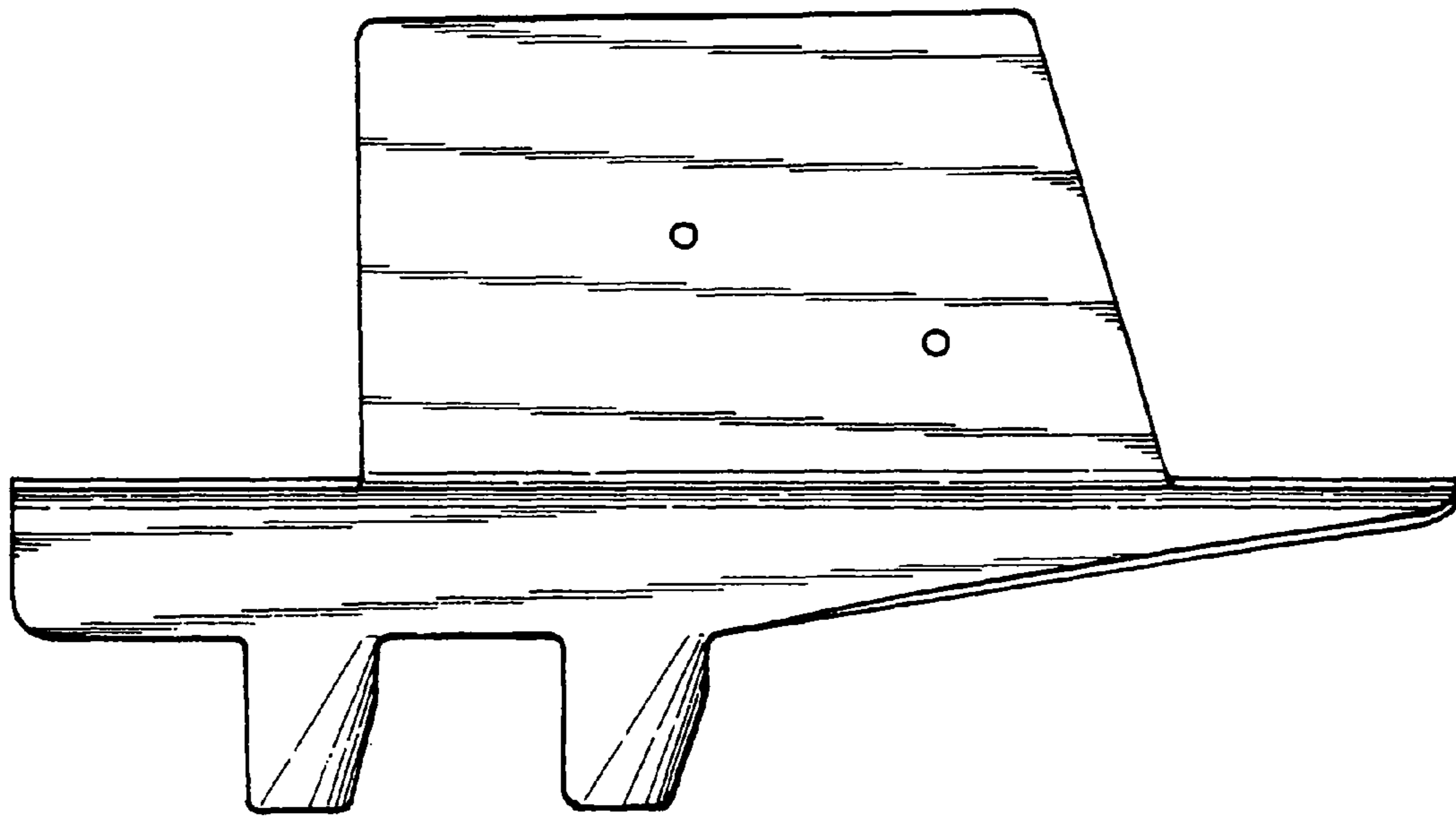


FIG.2

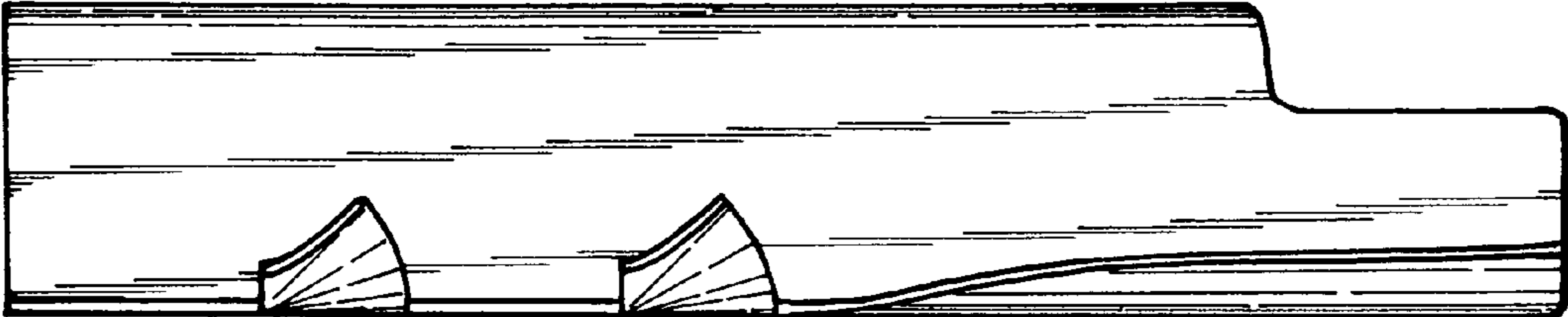


FIG.3

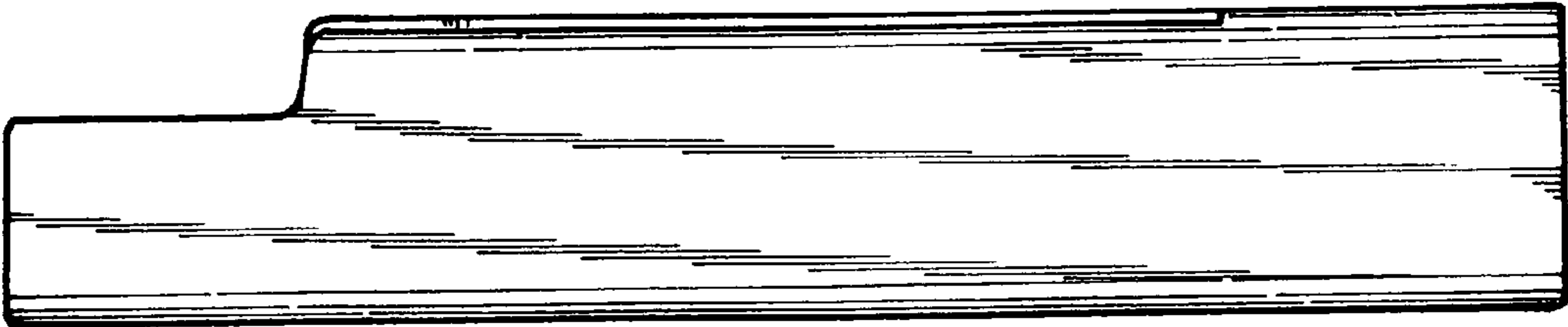


FIG.4

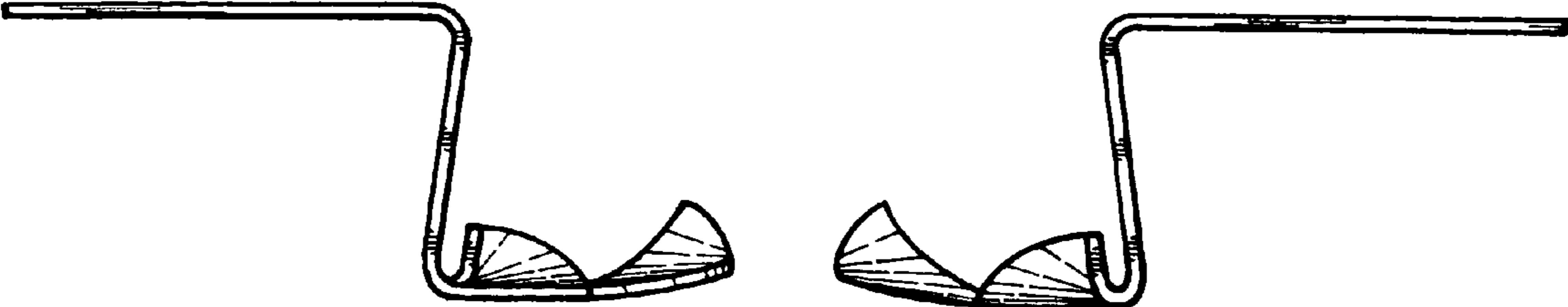


FIG.5

FIG.6

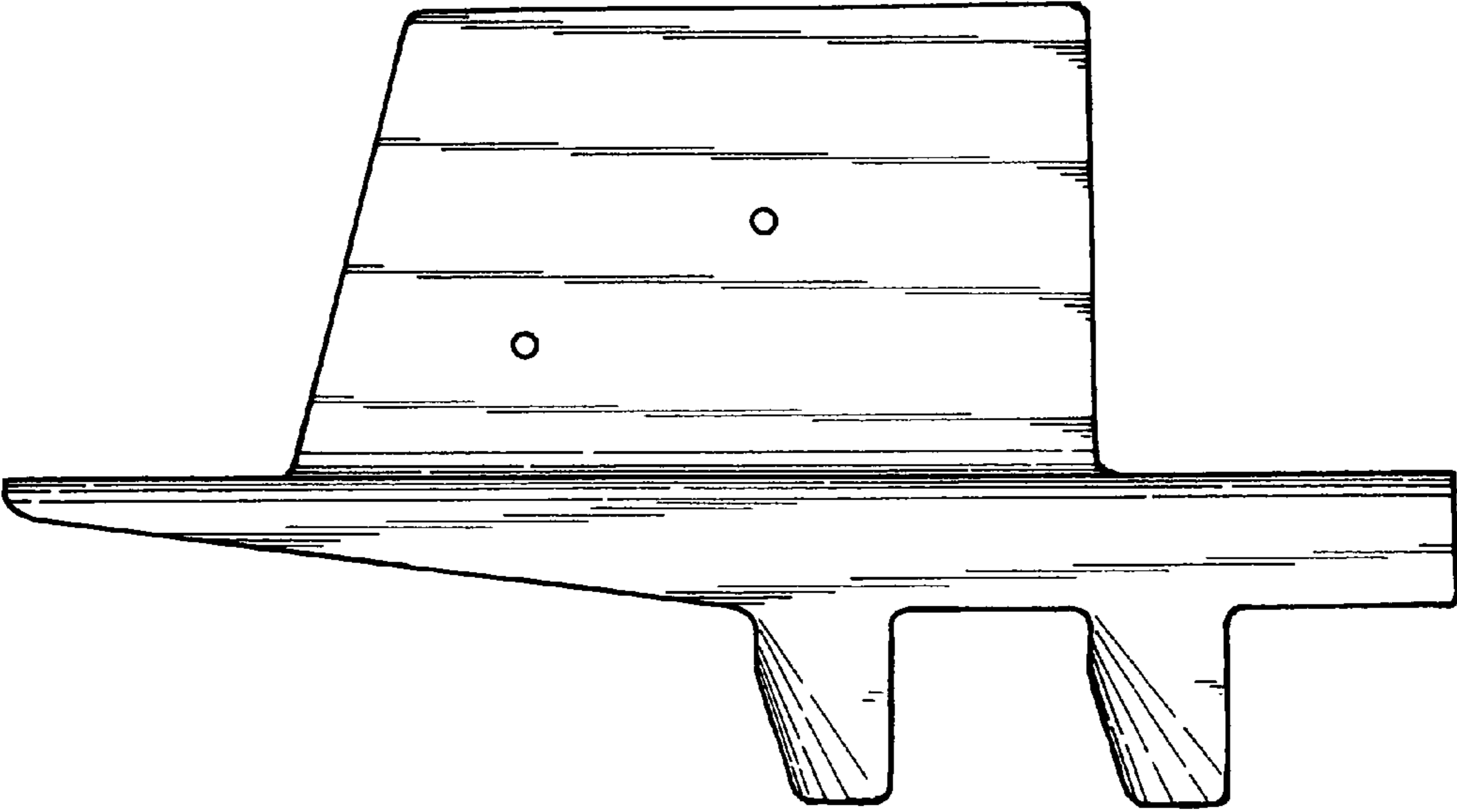


FIG.7