



US00D628030S

(12) **United States Design Patent**
Mullen et al.

(10) **Patent No.:** **US D628,030 S**
(45) **Date of Patent:** **** Nov. 30, 2010**

(54) **FLORAL SHEAR**

(75) Inventors: **Joshua O. Mullen**, Duncannon, PA (US); **Chun W. Hung**, Dillsburg, PA (US); **Michael Nellenbach**, Clawson, MI (US); **Darlene B. SantaCroce**, Enola, PA (US)

(73) Assignee: **Ames True Temper, Inc.**, Camp Hill, PA (US)

(**) Term: **14 Years**

(21) Appl. No.: **29/351,126**

(22) Filed: **Dec. 1, 2009**

(51) **LOC (9) Cl.** **08-01**

(52) **U.S. Cl.** **D8/5**

(58) **Field of Classification Search** D8/5,
D8/52, 54, 68; 30/203, 131, 260, 262, 193-194,
30/296.1, 134

See application file for complete search history.

(56) **References Cited**

U.S. PATENT DOCUMENTS

D494,032 S *	8/2004	Rivera	D8/58
D555,442 S *	11/2007	Kaposi	D8/5
D570,167 S *	6/2008	Kaposi	D8/5
D600,092 S *	9/2009	Peterson et al.	D8/107

* cited by examiner

Primary Examiner—Holly H Baynham

Assistant Examiner—Sheryl Lane

(74) *Attorney, Agent, or Firm*—Eckert Seamans Cherlin & Mellott, LLC; David C. Jenkins, Esquire

(57) **CLAIM**

The ornamental design for a floral shear, as shown and described.

DESCRIPTION

FIG. 1 is an isometric view of a floral shear in a closed configuration;

FIG. 2 is a right side view of a floral shear in a closed configuration;

FIG. 3 is a left side view of a floral shear in a closed configuration;

FIG. 4 is a top view of a floral shear in a closed configuration;

FIG. 5 is a bottom view of a floral shear in a closed configuration;

FIG. 6 is a back view of a floral shear in a closed configuration;

FIG. 7 is a front view of a floral shear in a closed configuration;

FIG. 8 is an isometric view of a floral shear in an open configuration;

FIG. 9 is a right side view of a floral shear in an open configuration;

FIG. 10 is a left side view of a floral shear in an open configuration;

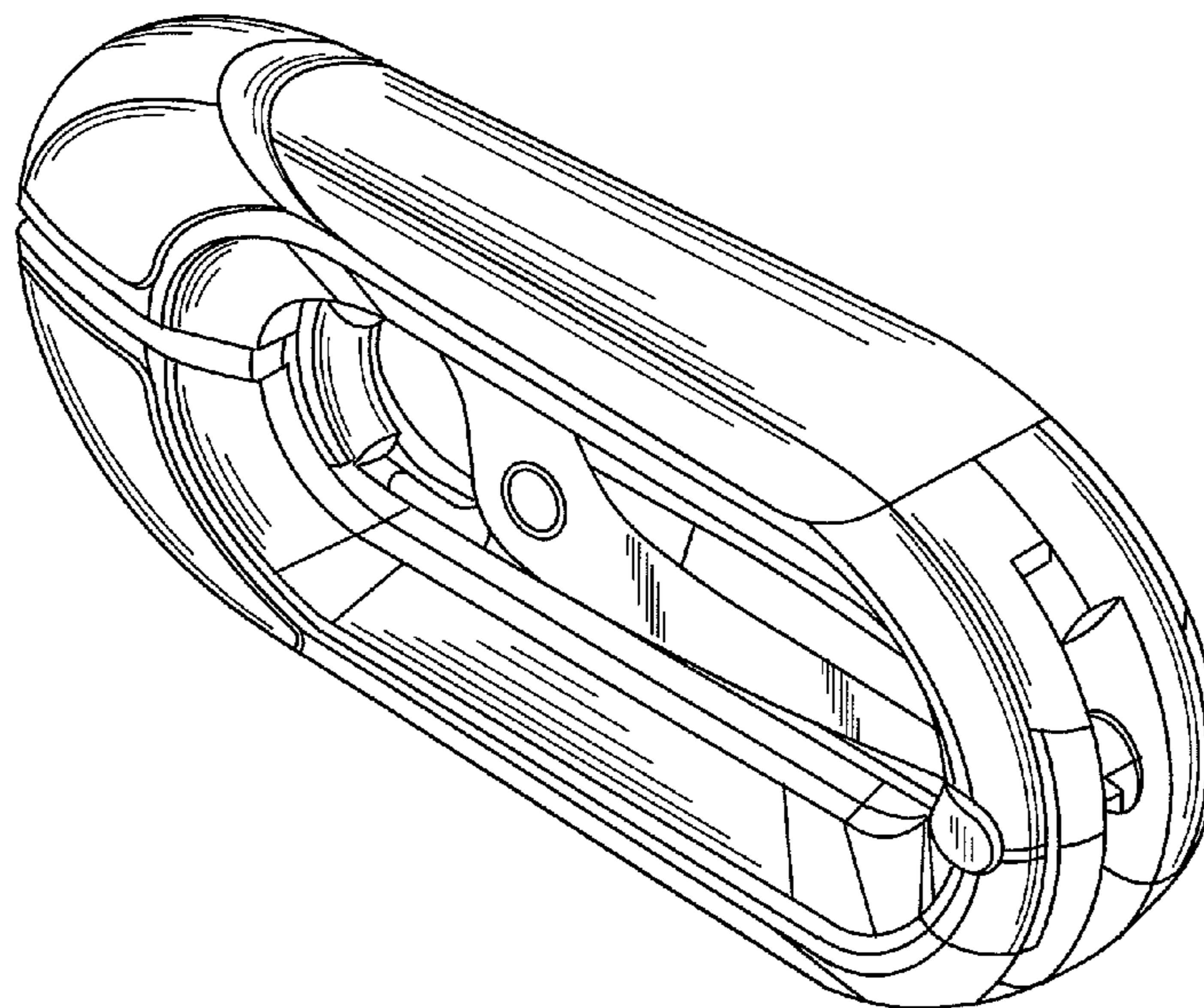
FIG. 11 is a top view of a floral shear in an open configuration;

FIG. 12 is a bottom view of a floral shear in an open configuration;

FIG. 13 is a back view of a floral shear in an open configuration; and,

FIG. 14 is a front view of a floral shear in an open configuration.

1 Claim, 9 Drawing Sheets



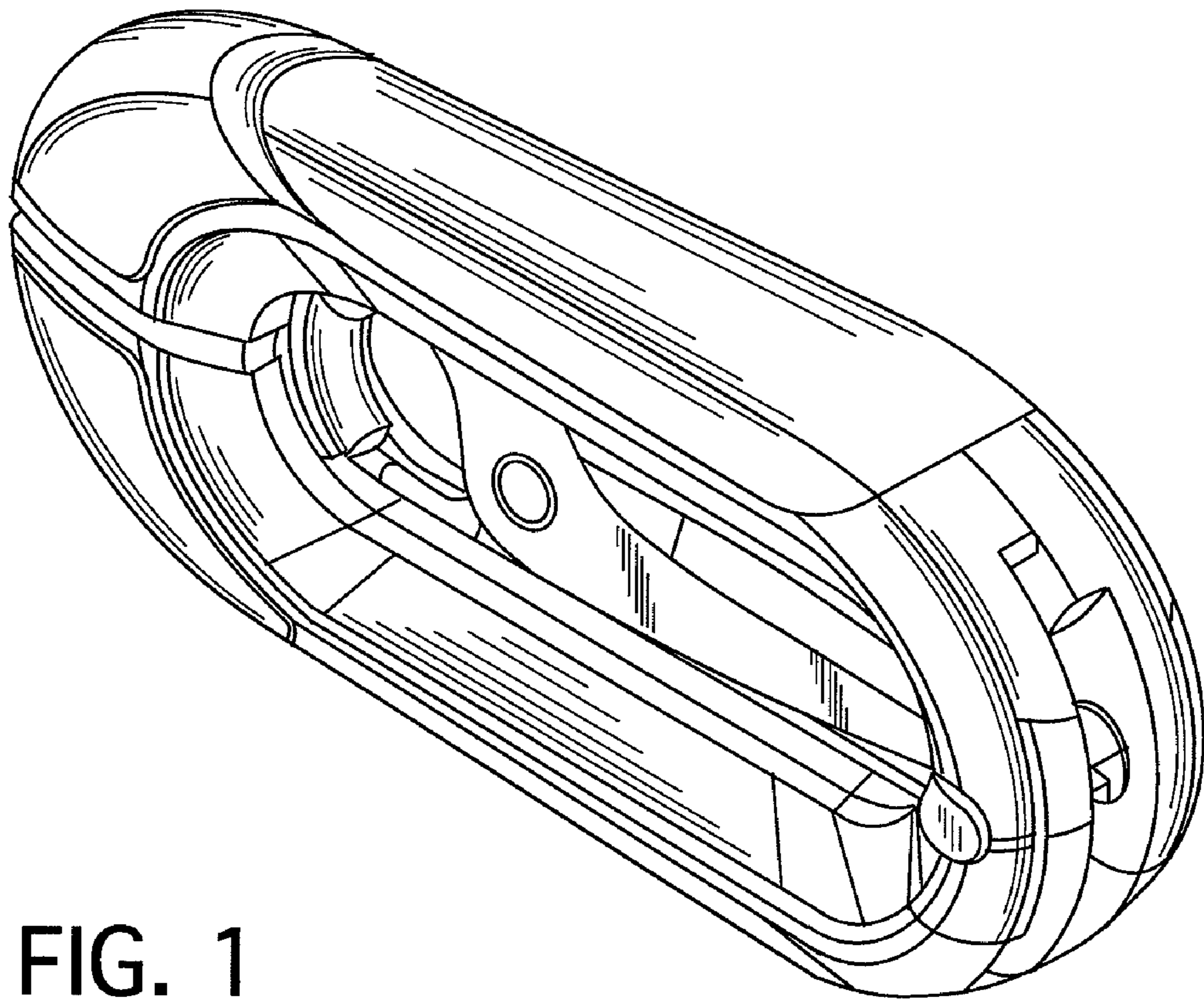


FIG. 1

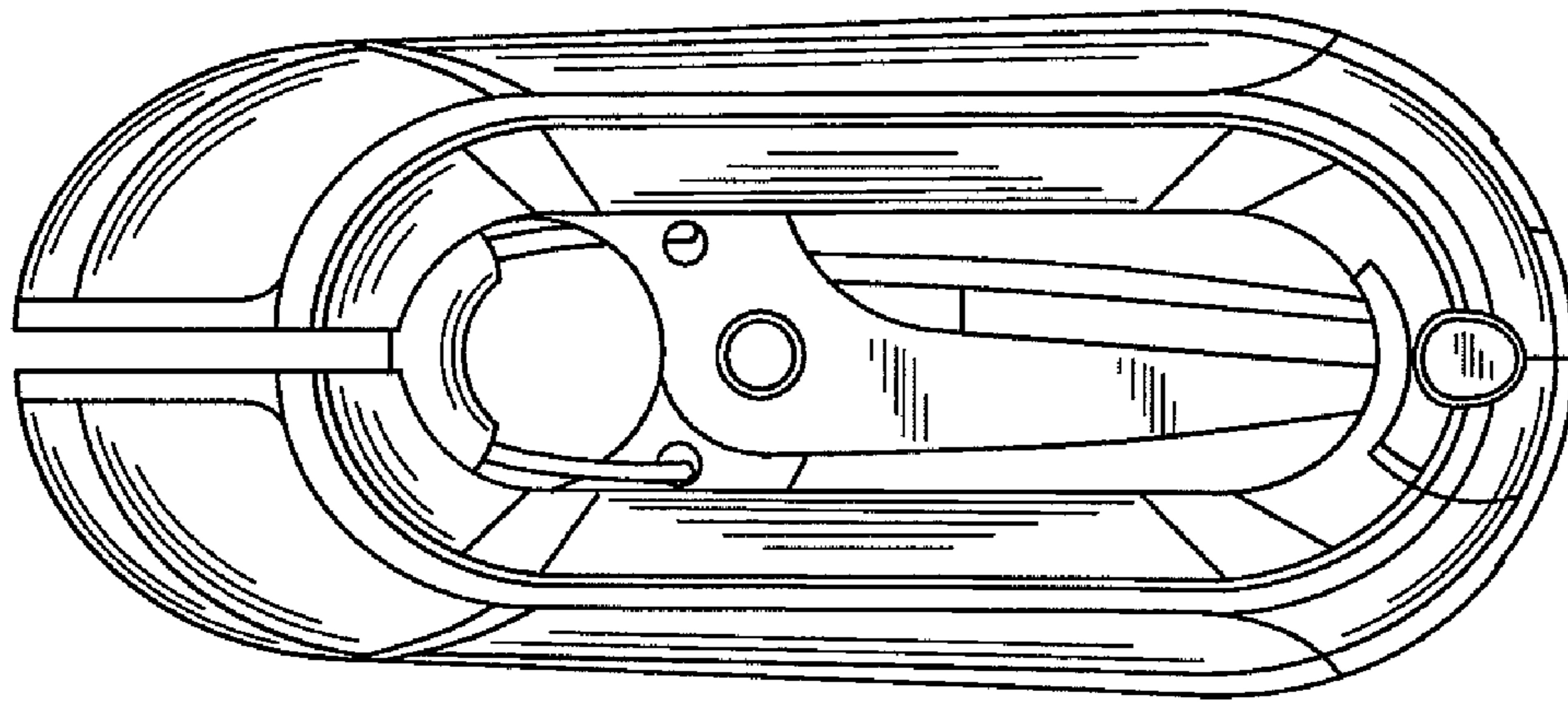


FIG. 2

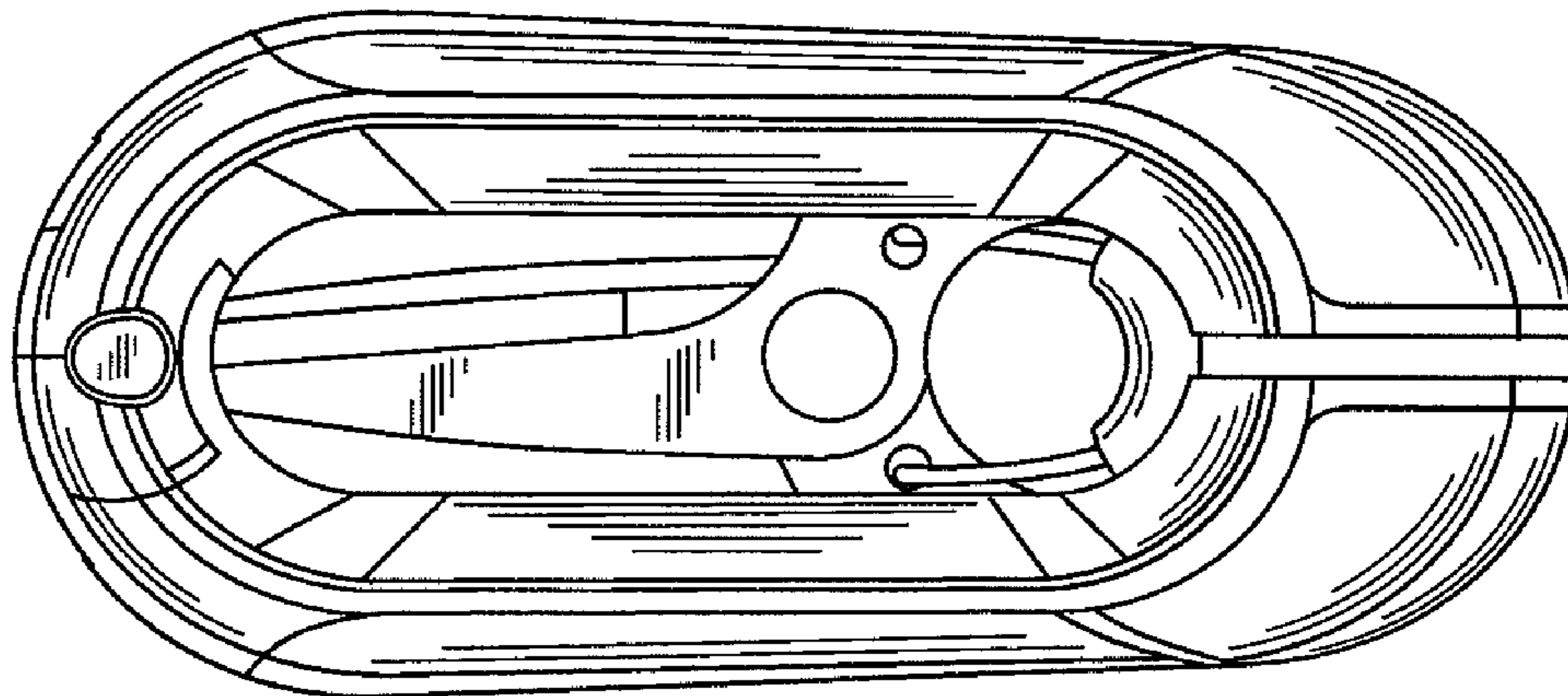


FIG. 3

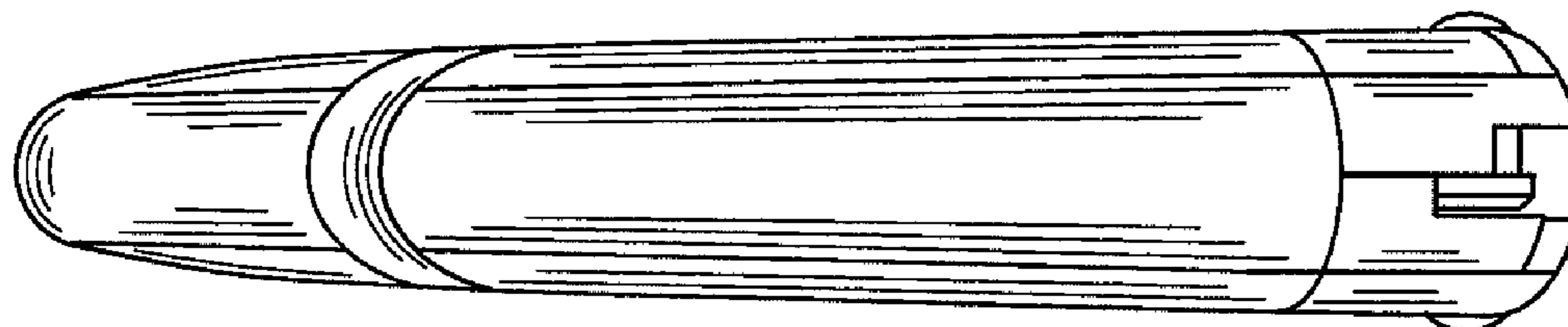


FIG. 4

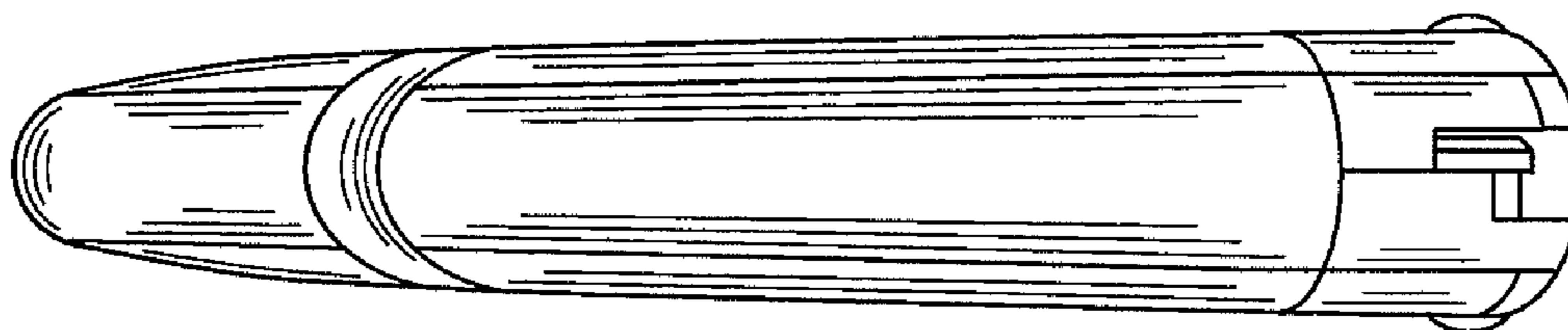


FIG. 5

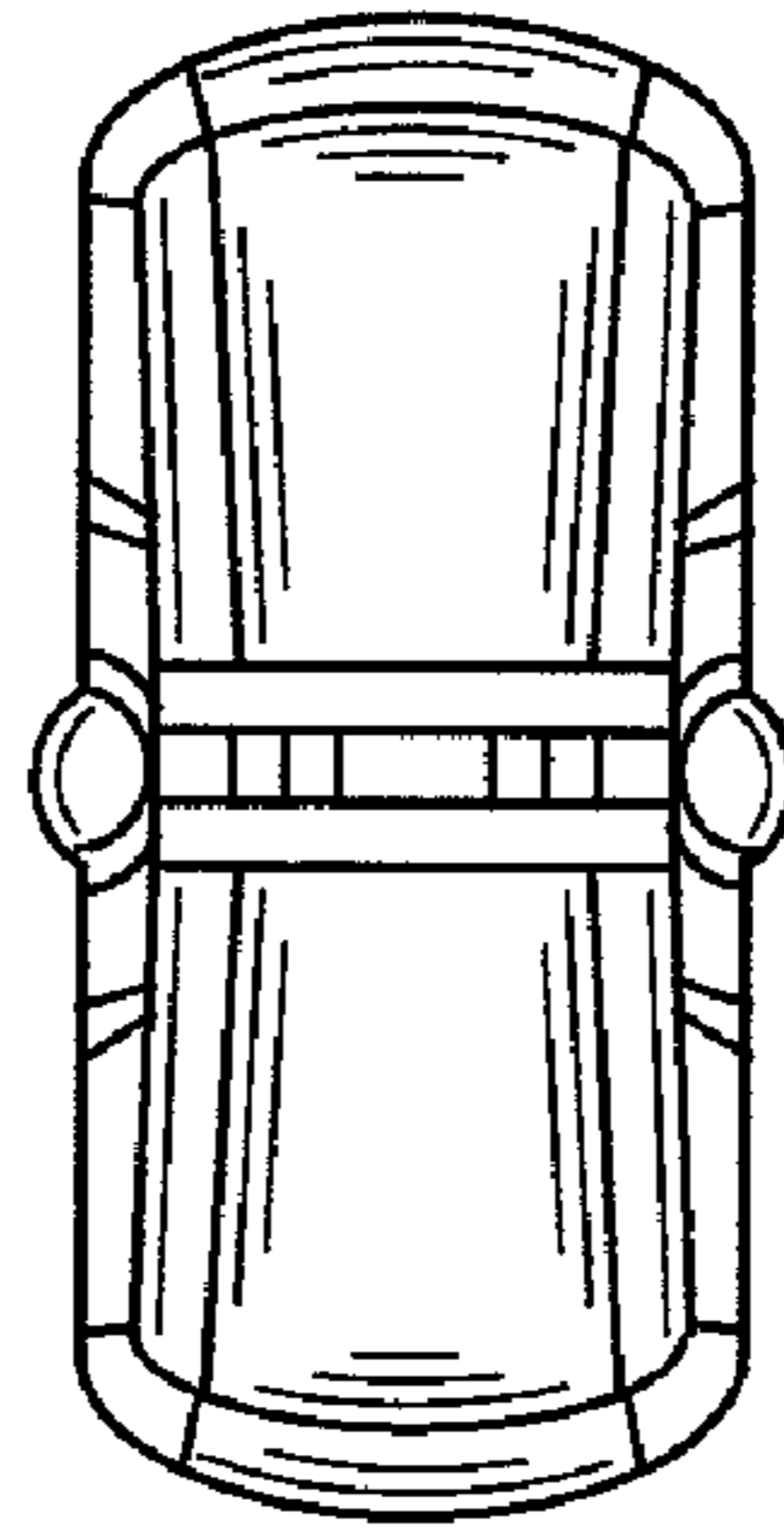


FIG. 6

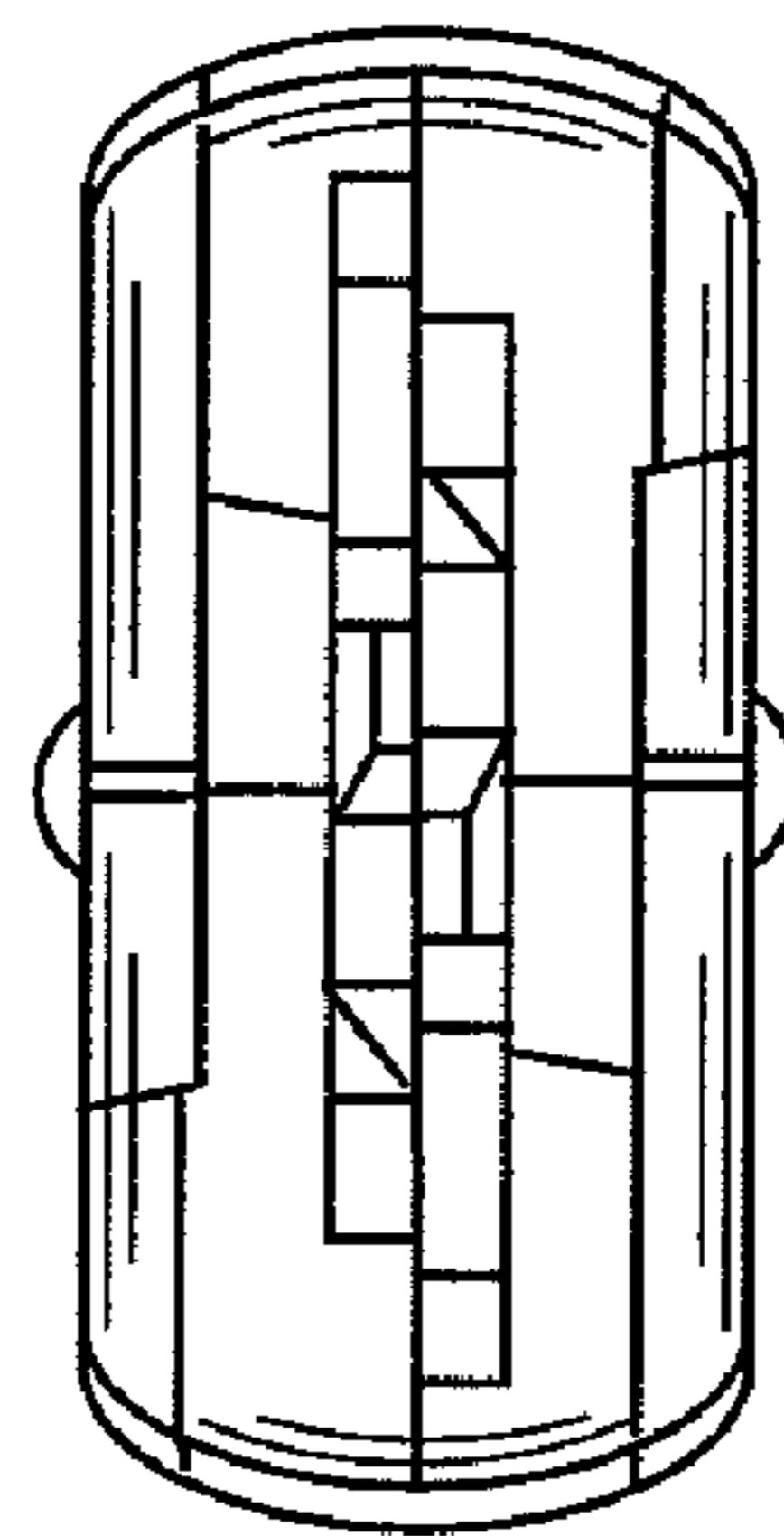


FIG. 7

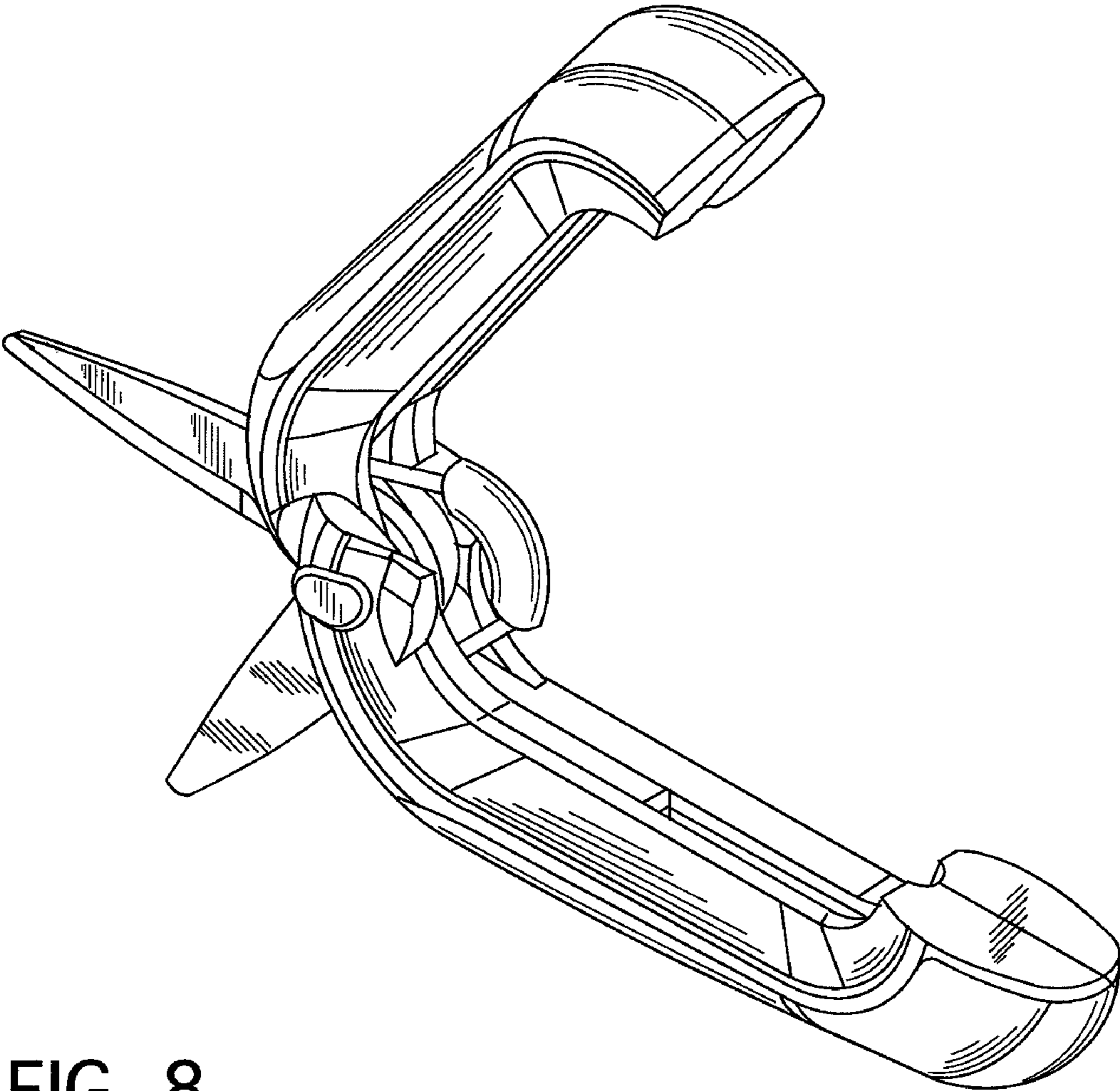


FIG. 8

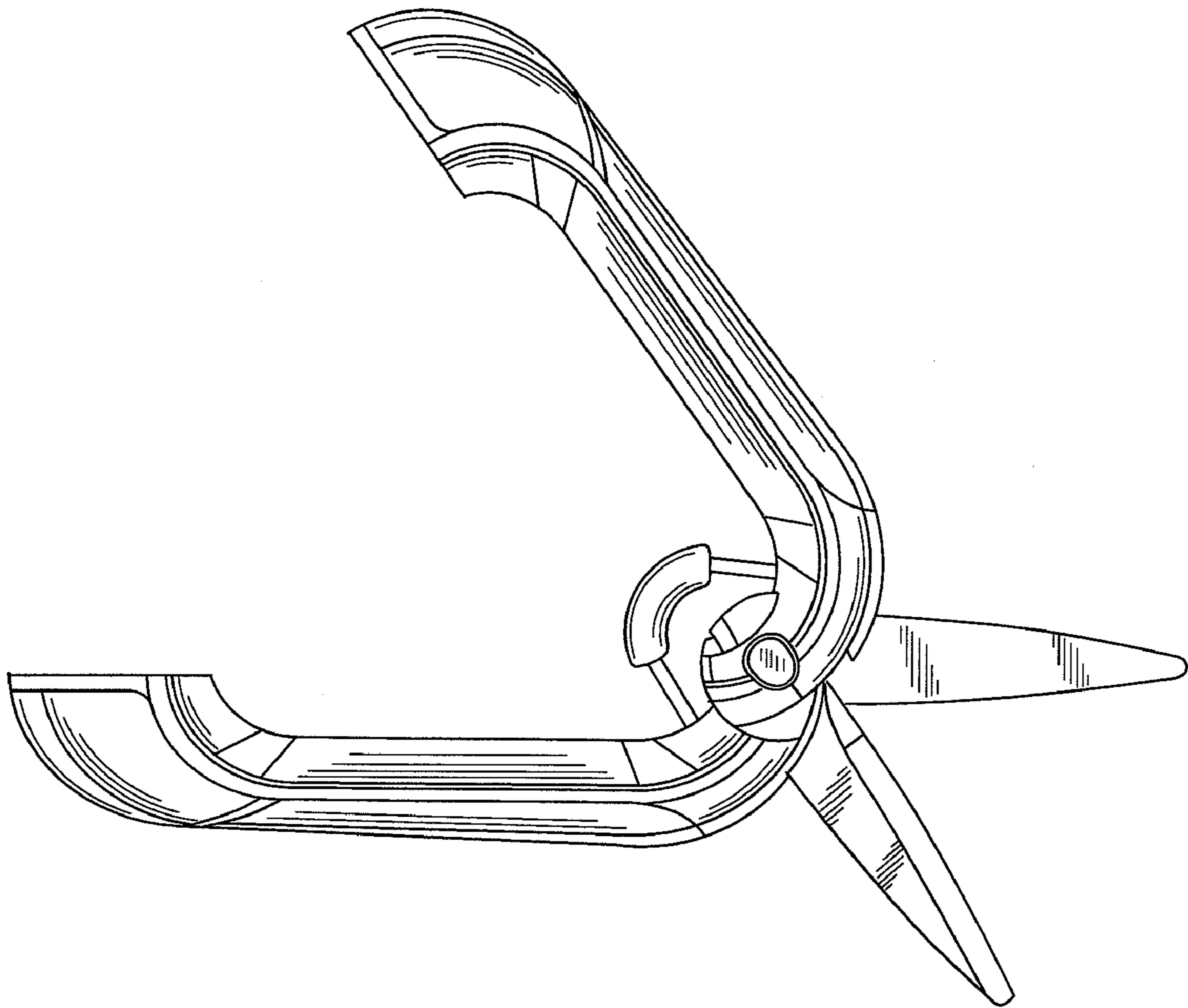


FIG. 9

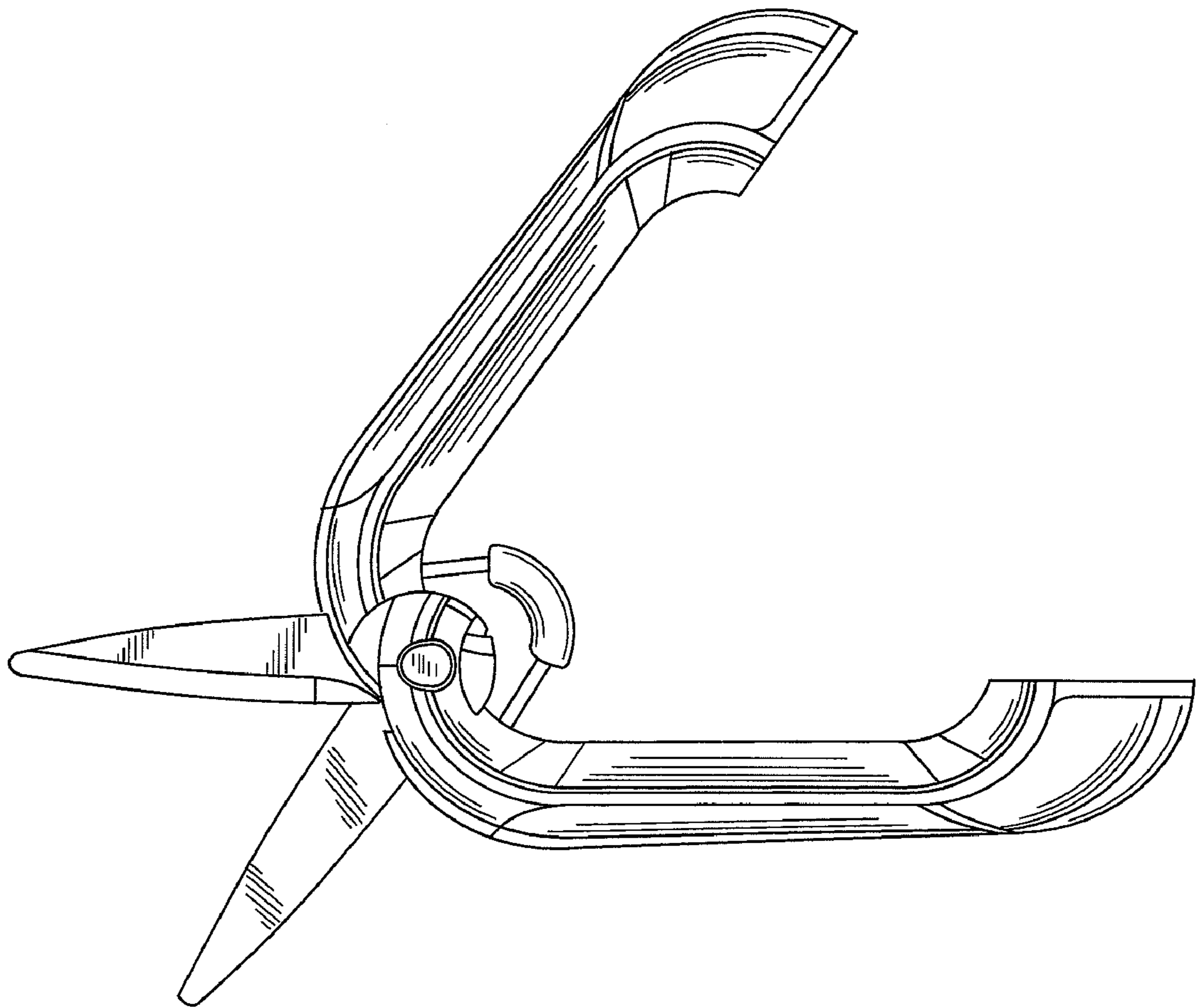


FIG. 10

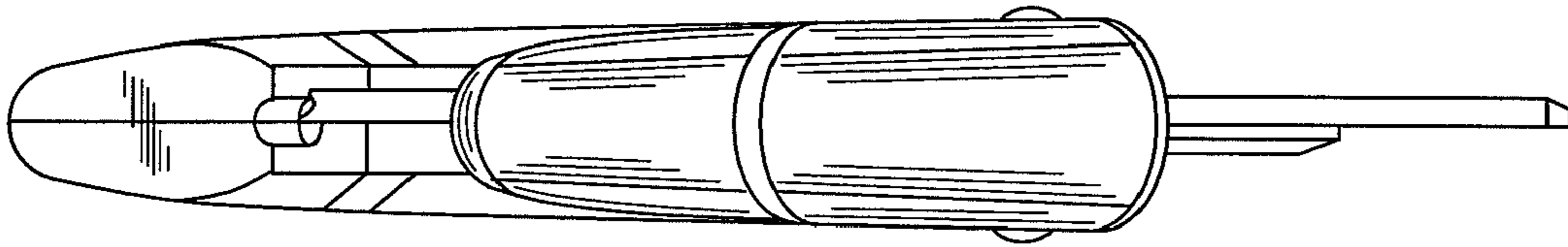


FIG. 11

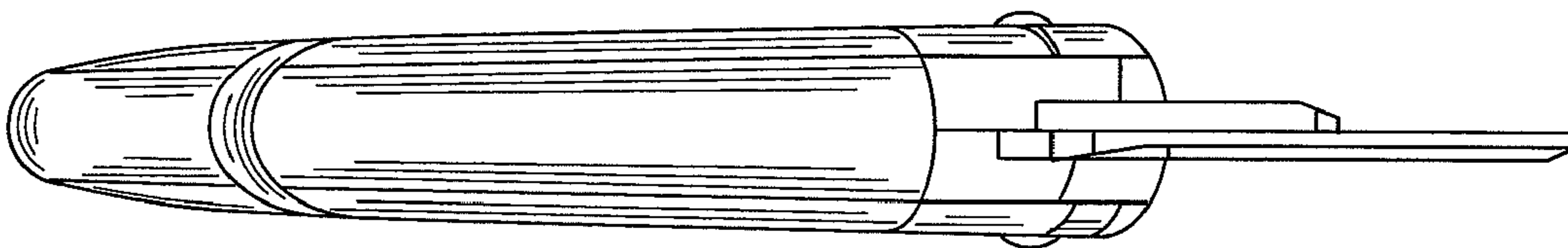


FIG. 12

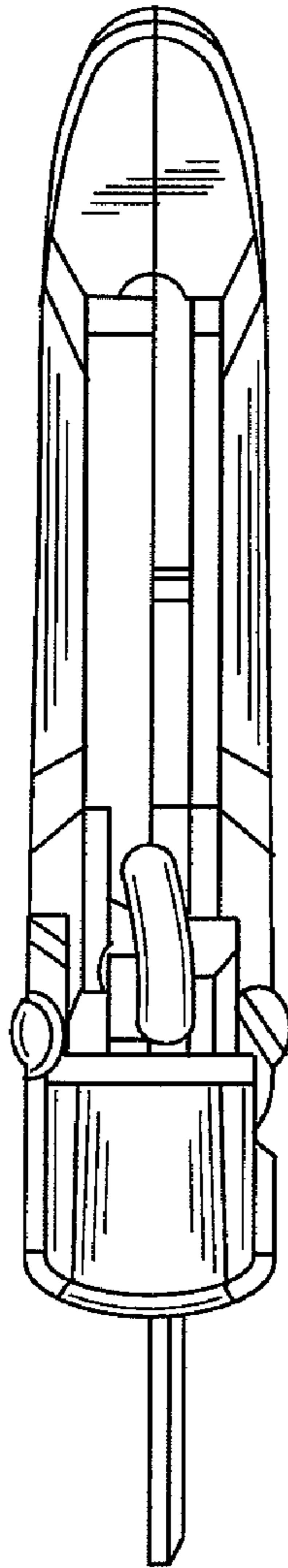


FIG. 13

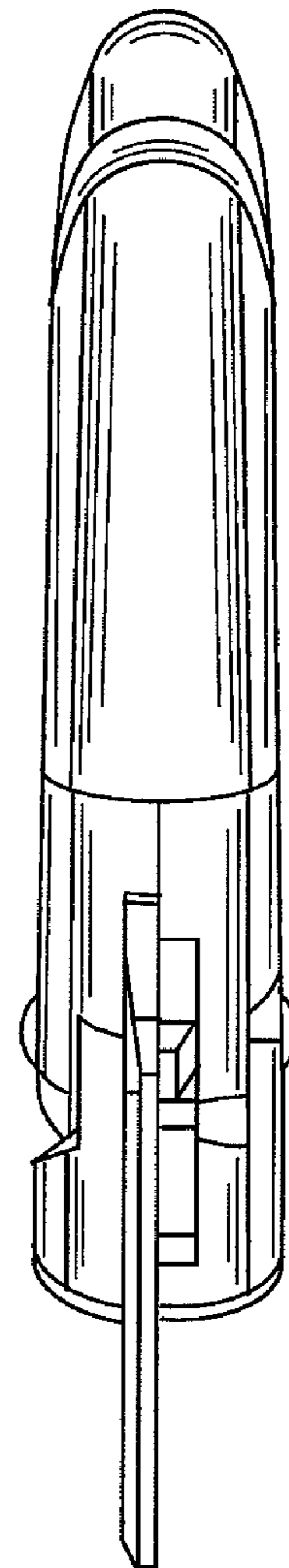


FIG. 14

UNITED STATES PATENT AND TRADEMARK OFFICE
CERTIFICATE OF CORRECTION

PATENT NO. : D628,030 S
APPLICATION NO. : 29/351126
DATED : November 30, 2010
INVENTOR(S) : Joshua O. Mullen et al.

Page 1 of 1

It is certified that error appears in the above-identified patent and that said Letters Patent is hereby corrected as shown below:

Title page, first column, (74) Attorney, Agent, or Firm, "Cherlin" should read --Cherin--.

Title page, second column, under DESCRIPTION, FIG. 8, "in a open configuration" should read --in an open configuration--.

Title page, second column, under DESCRIPTION, FIG. 9, "in a open configuration" should read --in an open configuration--.

Title page, second column, under DESCRIPTION, FIG. 10, "in a open configuration" should read --in an open configuration--.


Title page, second column, under DESCRIPTION, FIG. 11, "in a open configuration" should read --in an open configuration--.

Title page, second column, under DESCRIPTION, FIG. 12, "in a open configuration" should read --in an open configuration--.

Title page, second column, under DESCRIPTION, FIG. 13, "in a open configuration" should read --in an open configuration--.

Title page, second column, under DESCRIPTION, FIG. 14, "in a open configuration" should read --in an open configuration--.

Signed and Sealed this
Fifteenth Day of February, 2011



David J. Kappos
Director of the United States Patent and Trademark Office