



US00D628029S

(12) **United States Design Patent**
Rothman

(10) **Patent No.:** **US D628,029 S**

(45) **Date of Patent:** **** Nov. 30, 2010**

(54) **BARBECUE TONGS**

(75) Inventor: **Jacob Rothman**, Shanghai (CN)

(73) Assignee: **National Broom Co. of California**, San Leandro, CA (US)

(**) Term: **14 Years**

(21) Appl. No.: **29/344,236**

(22) Filed: **Sep. 25, 2009**

(51) **LOC (9) Cl.** **07-06**

(52) **U.S. Cl.** **D7/686**

(58) **Field of Classification Search** D7/680-696,
D7/393, 395; 295/99.1, 99.2, 118, 119, 16,
295/33; 30/324-328, 150

See application file for complete search history.

Primary Examiner—Terry A Wallace

(74) *Attorney, Agent, or Firm*—Michael J. Hughes

(57) **CLAIM**

The ornamental design for a barbecue tongs, as shown.

DESCRIPTION

FIG. 1 is a front top right perspective view of the barbecue tongs of the present invention;

FIG. 2 is a top view thereof;

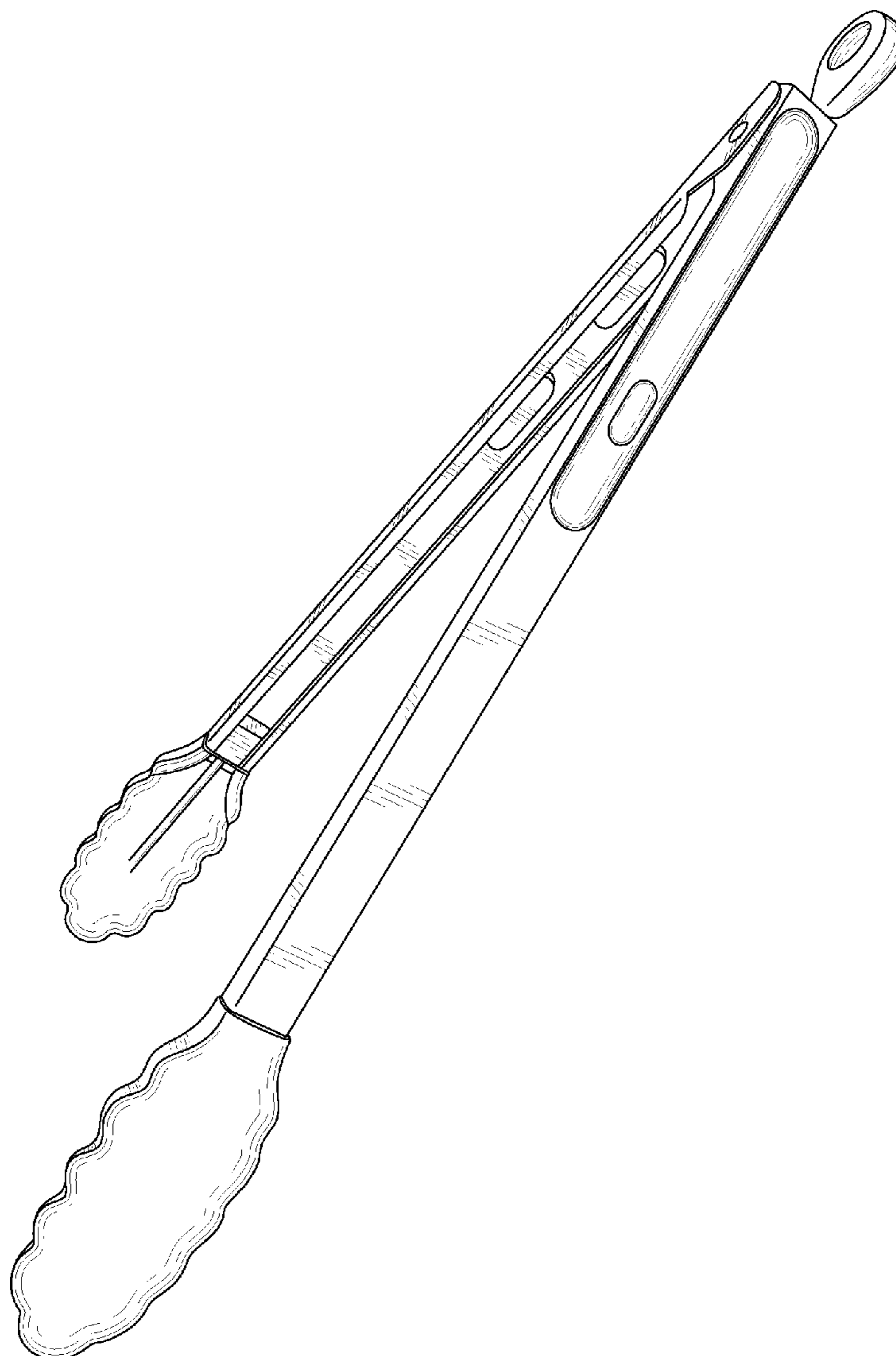
FIG. 3 is a left side elevational view thereof;

FIG. 4 is a right side elevational view thereof;

FIG. 5 is a rear view thereof; and,

FIG. 6 is front view thereof.

1 Claim, 4 Drawing Sheets



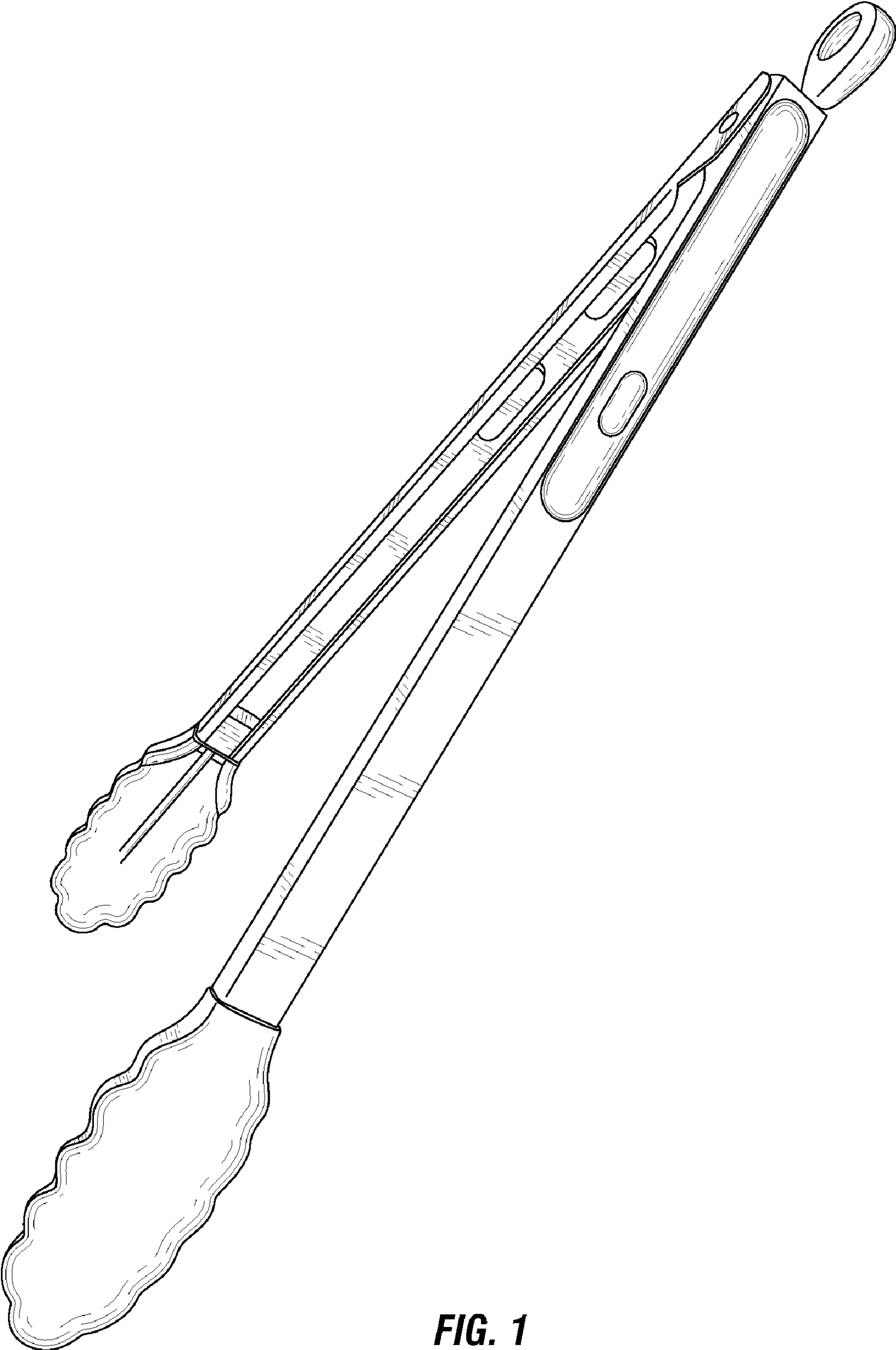


FIG. 1

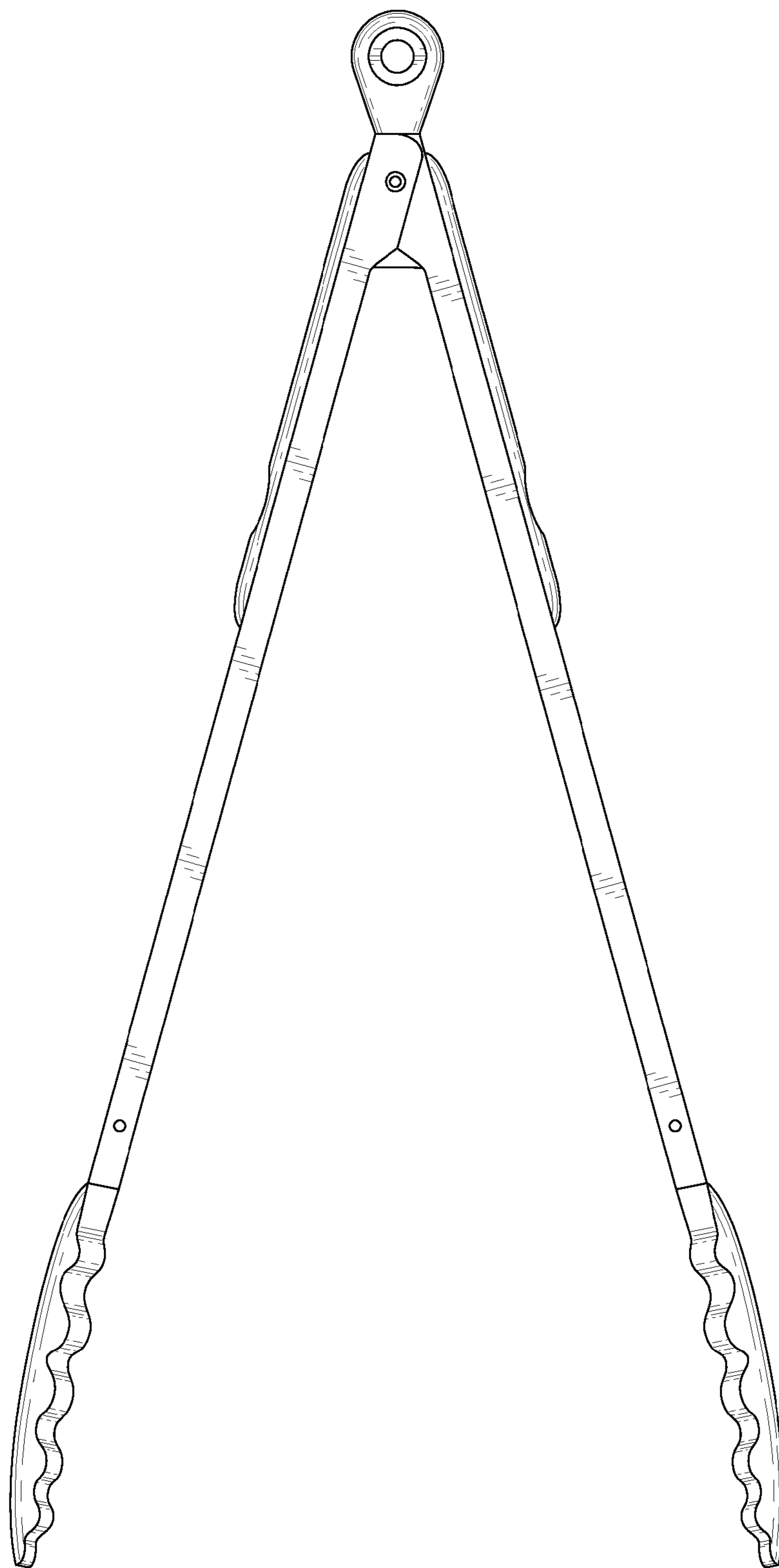


FIG. 2

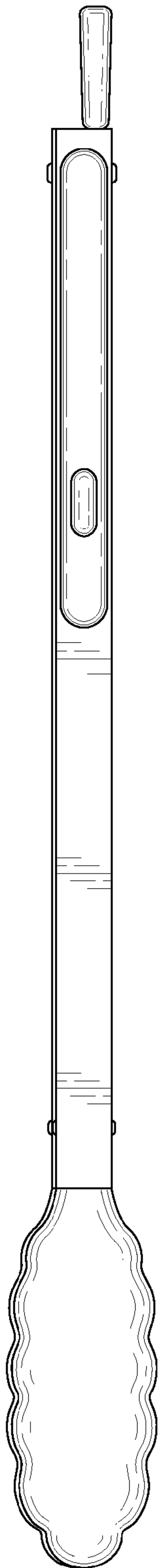


FIG. 3

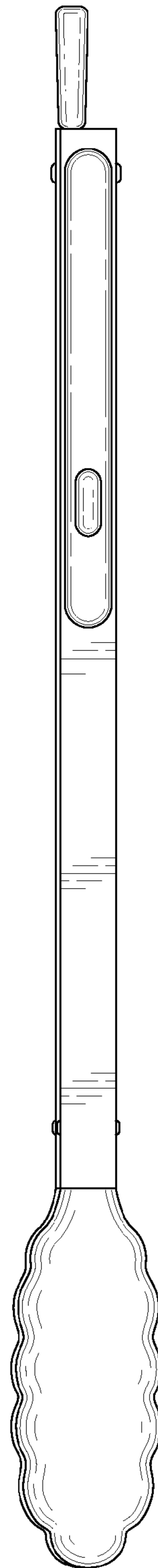


FIG. 4

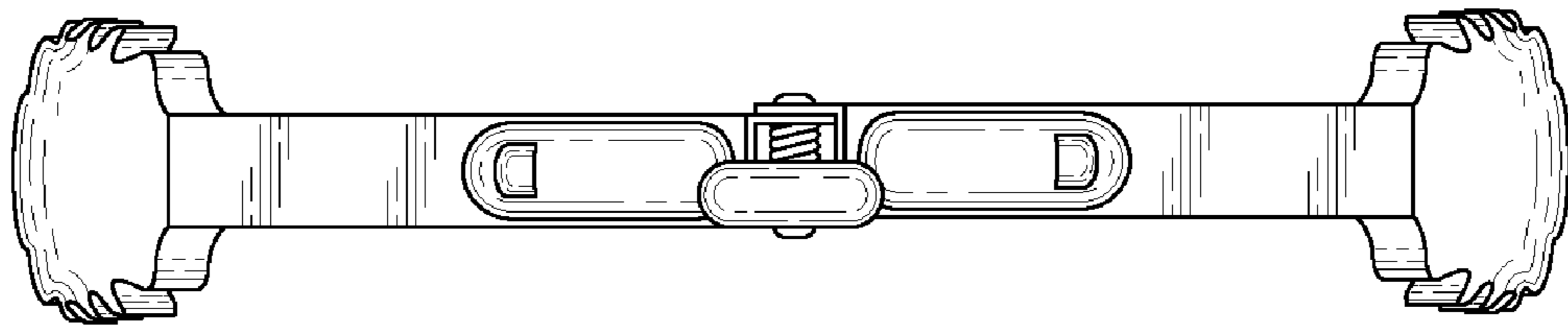


FIG. 5

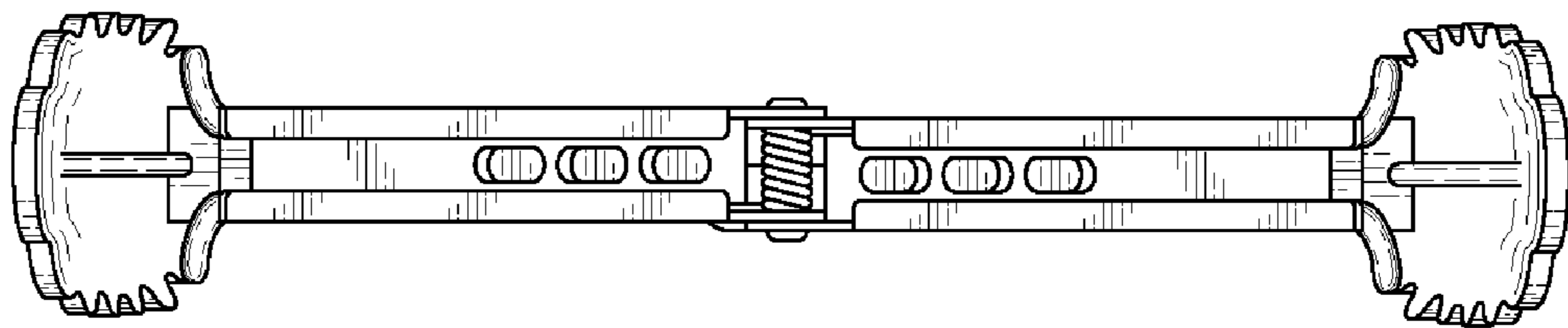


FIG. 6