



US00D628026S

(12) **United States Design Patent**
Arn

(10) **Patent No.:** **US D628,026 S**

(45) **Date of Patent:** **** Nov. 30, 2010**

(54) **CONDIMENT MILL**

(75) Inventor: **Thomas Arn**, Besancon (FR)

(73) Assignee: **Galic International (Societe par Actions Simplifiee)**, Besanton (FR)

(**) Term: **14 Years**

(21) Appl. No.: **29/356,399**

(22) Filed: **Feb. 25, 2010**

(30) **Foreign Application Priority Data**

Sep. 28, 2009 (EM) 001616905-0003

(51) **LOC (9) Cl.** **07-04**

(52) **U.S. Cl.** **D7/679**

(58) **Field of Classification Search** D7/679,
D7/372-375, 590-597; 241/36, 92, 95, 37.5,
241/277, 279, 280, 273.1-273.4, 168, 169,
241/169.1; 222/285.1-285.3

See application file for complete search history.

(56) **References Cited**

U.S. PATENT DOCUMENTS

3,485,416 A * 12/1969 Fohrman 222/142.1

D335,066 S * 4/1993 Good D7/596
5,269,475 A * 12/1993 Diefenbach 241/169.1
D358,742 S * 5/1995 Diefenbach D7/679

* cited by examiner

Primary Examiner—Terry A Wallace

(74) *Attorney, Agent, or Firm*—Egbert Law Offices PLLC

(57) **CLAIM**

The ornamental design for the condiment mill, as shown and described.

DESCRIPTION

FIG. 1 is an upper perspective view of the condiment mill showing my new design.

FIG. 2 is a top plan view thereof;

FIG. 3 is a bottom plan view thereof;

FIG. 4 is a front view thereof;

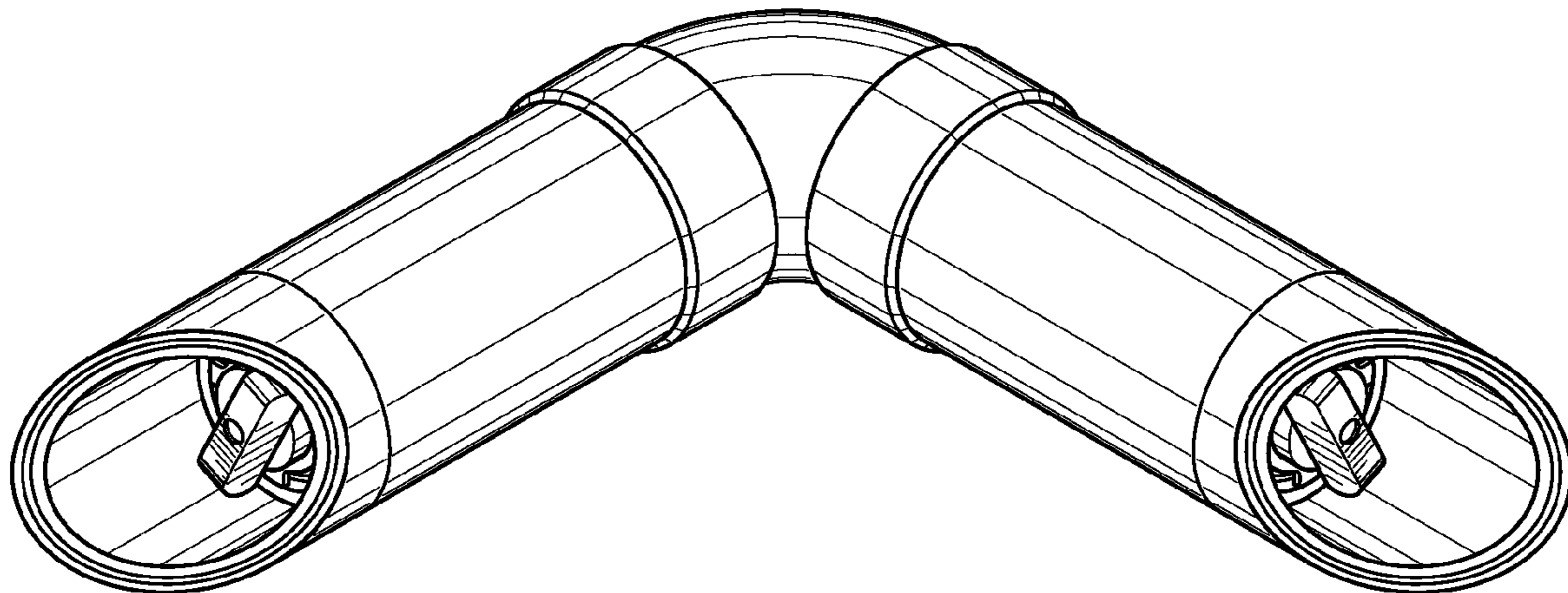
FIG. 5 is a back view thereof;

FIG. 6 is a side elevation view thereof; and,

FIG. 7 is an opposite side elevation view thereof.

The condiment mill is a kitchen tool that maybe used for, among other things, grinding peppercorns or other spices.

1 Claim, 3 Drawing Sheets



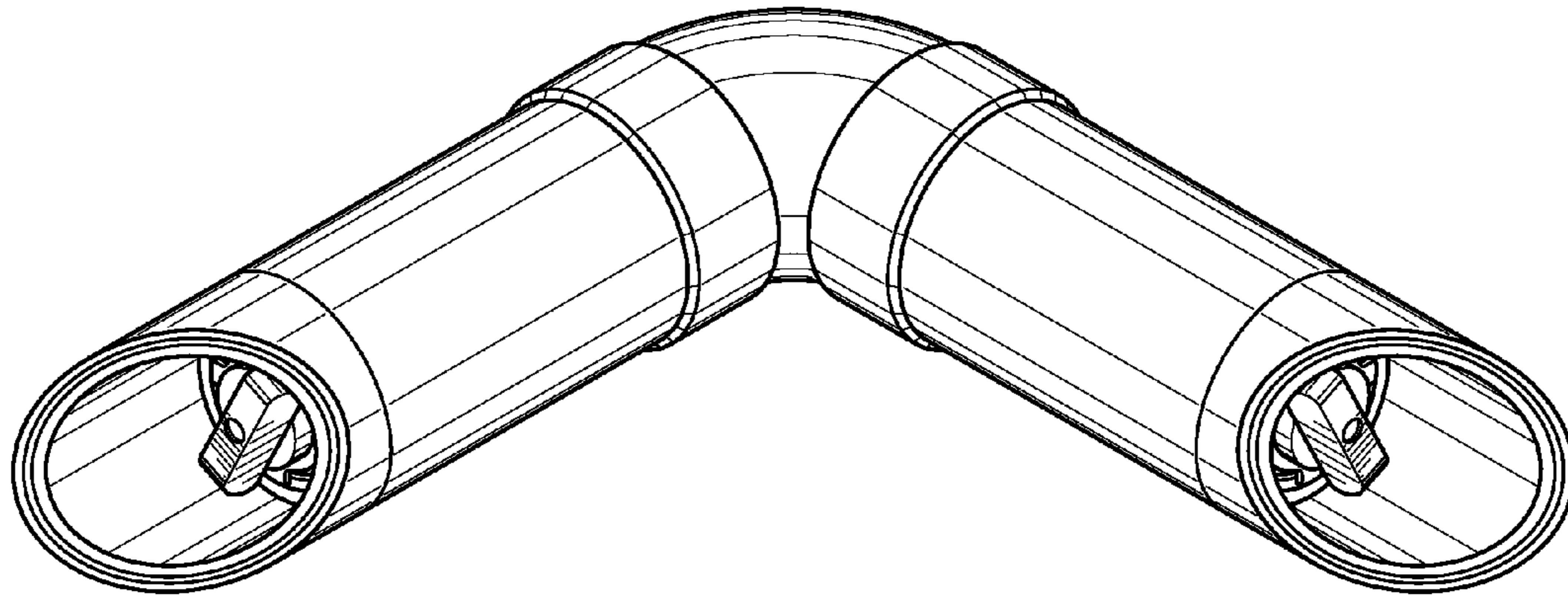


FIG. 1

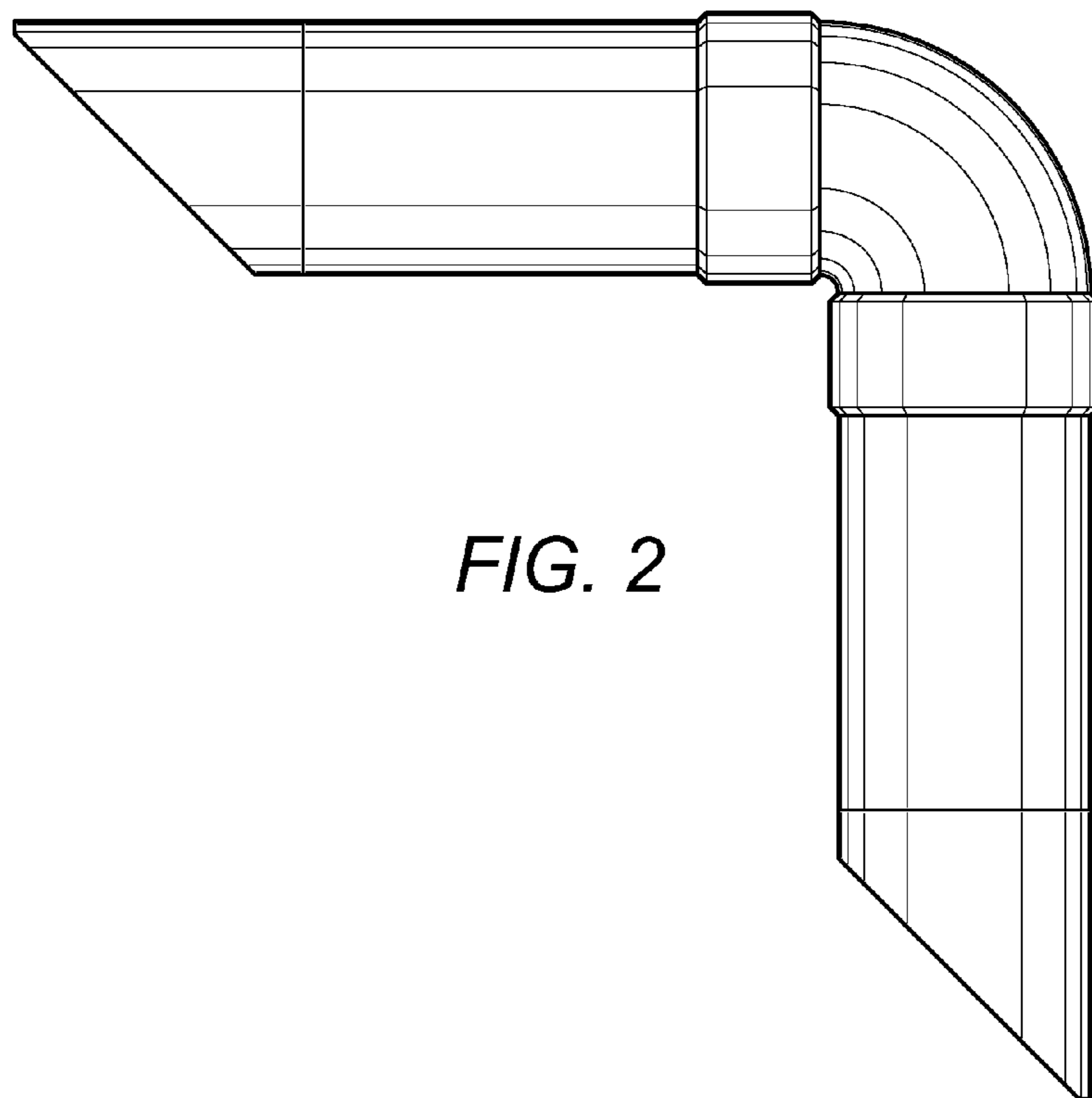
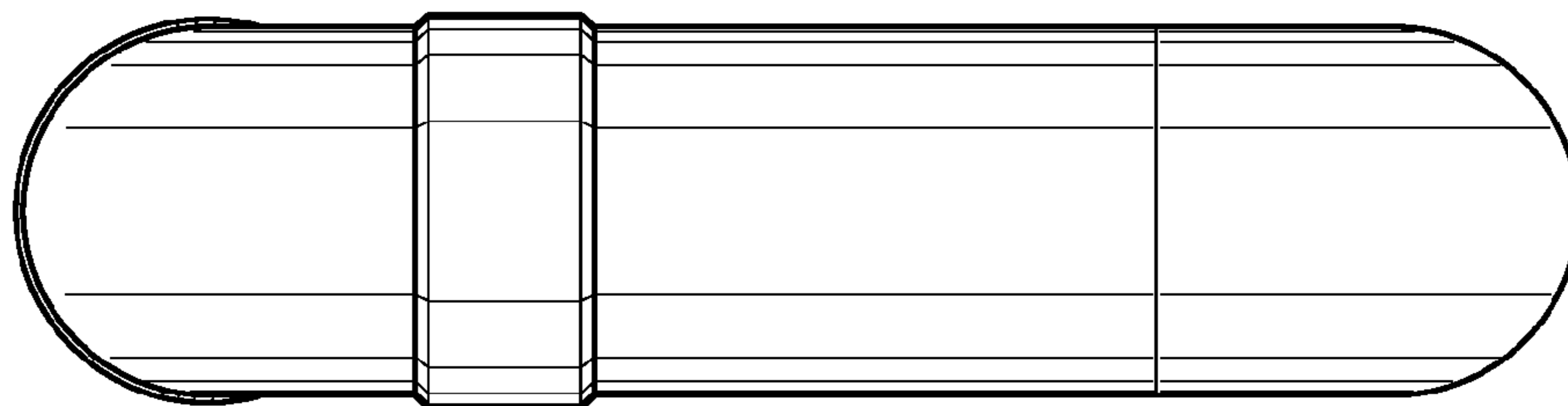
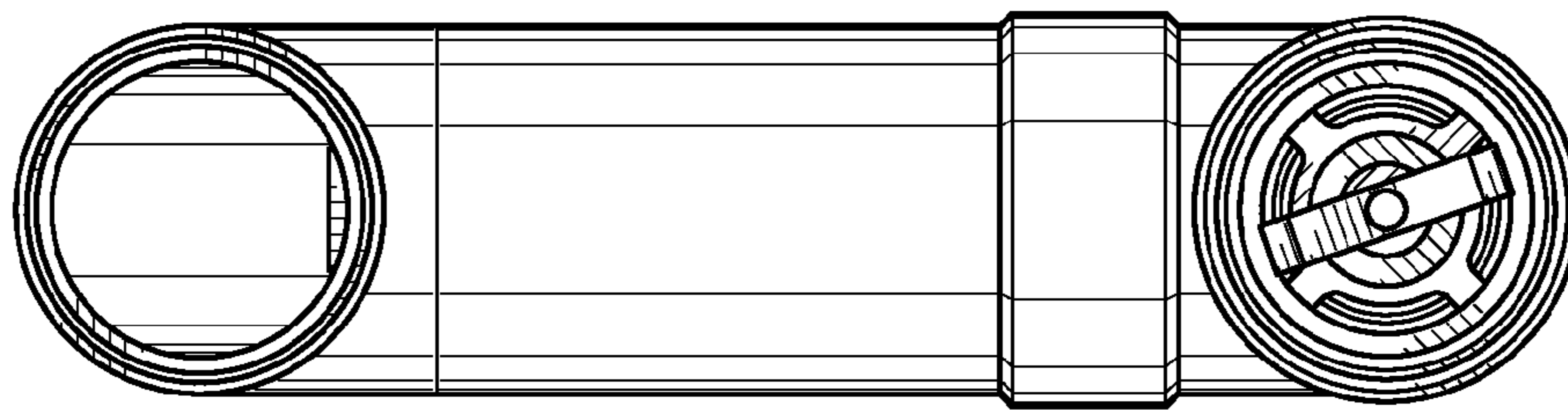
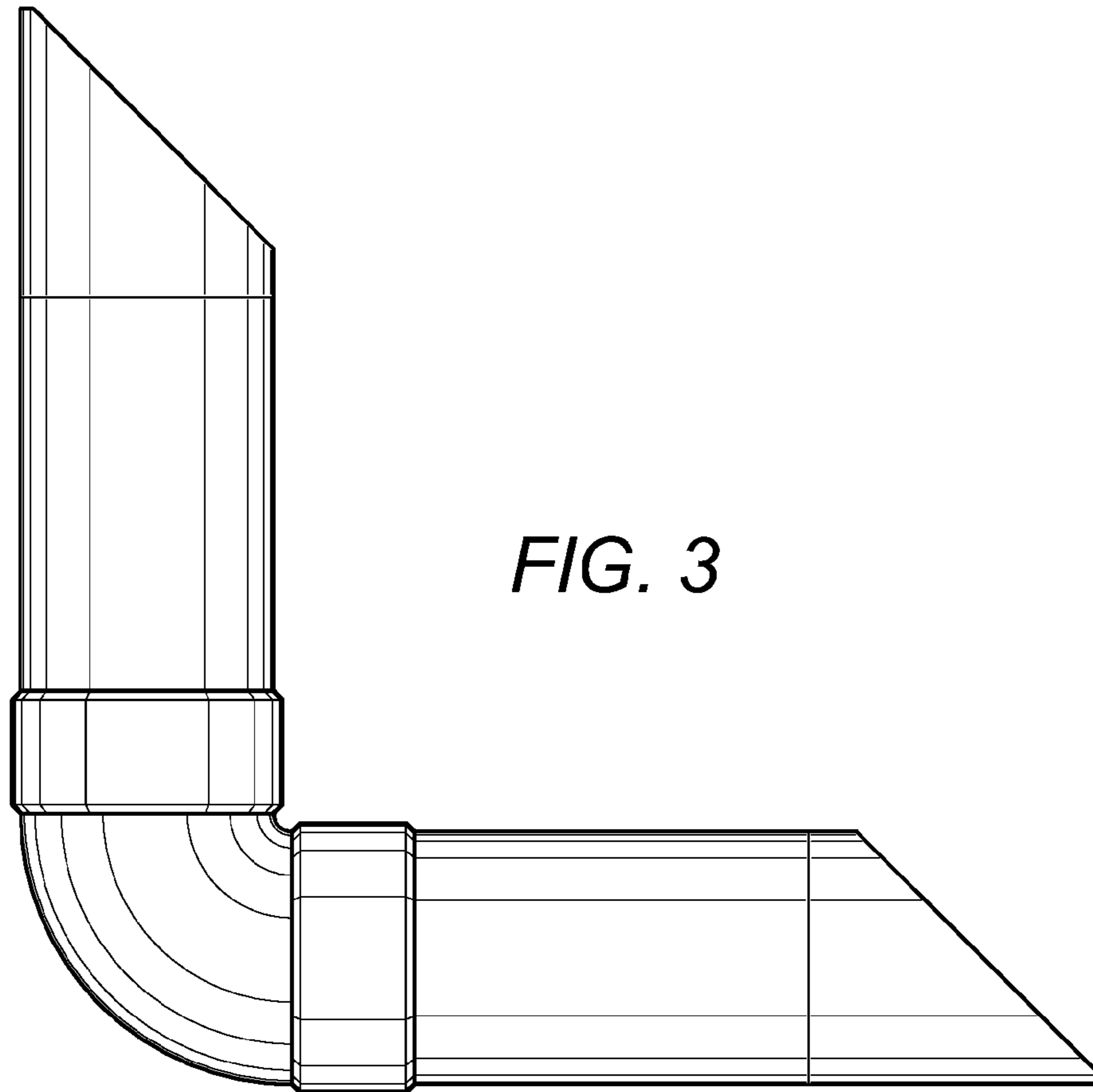


FIG. 2



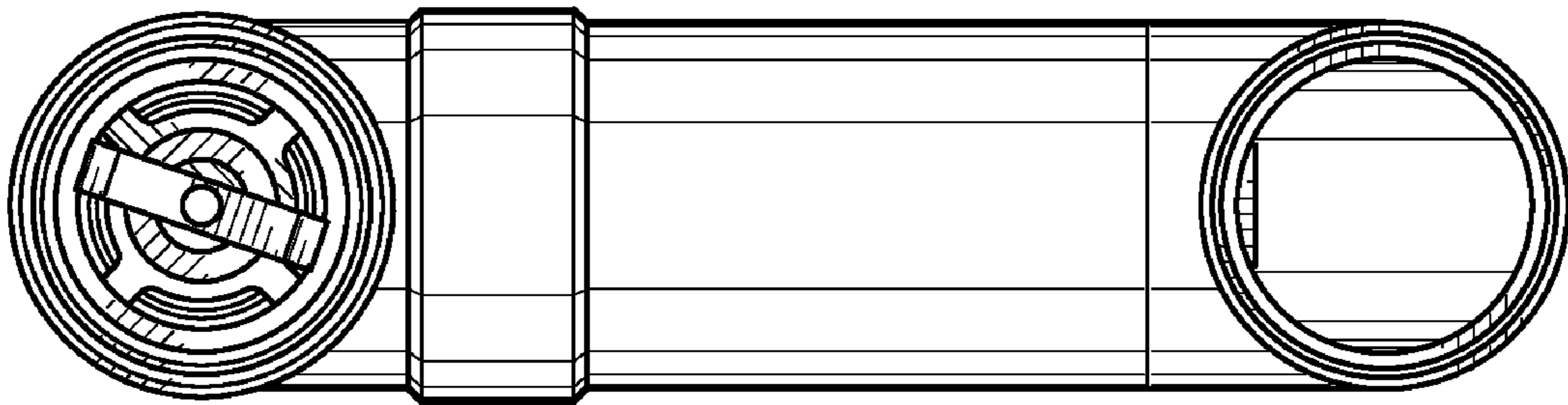


FIG. 6

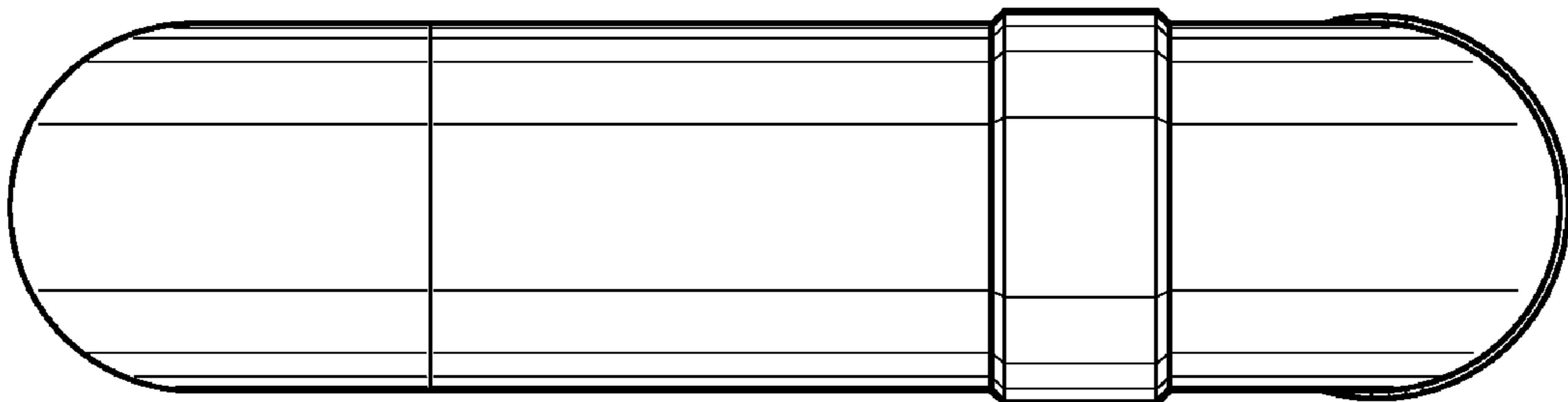


FIG. 7