



US00D628024S

(12) **United States Design Patent**  
**Arn**

(10) **Patent No.:** **US D628,024 S**

(45) **Date of Patent:** **\*\* Nov. 30, 2010**

(54) **CONDIMENT MILL**

D549,056 S \* 8/2007 Gonzalez et al. .... D7/679

(75) Inventor: **Thomas Arn**, Besancon (FR)

\* cited by examiner

(73) Assignee: **Galic International (Societe par Actions Simplifiee)**, Besancon (FR)

*Primary Examiner*—Terry A Wallace  
(74) *Attorney, Agent, or Firm*—Egbert Law Offices PLLC

(\*\*) Term: **14 Years**

(57) **CLAIM**

(21) Appl. No.: **29/356,397**

The ornamental design for the condiment mill, as shown and described.

(22) Filed: **Feb. 25, 2010**

**DESCRIPTION**

(51) **LOC (9) Cl.** ..... **07-04**

(52) **U.S. Cl.** ..... **D7/679**

(58) **Field of Classification Search** ..... D7/679,  
D7/372–375, 590–597; 241/36, 92, 95, 37.5,  
241/277, 279, 280, 273.1–273.4, 168, 169,  
241/169.1; 222/285.1–285.3

See application file for complete search history.

FIG. 1 is a lower perspective view of the condiment mill showing my new design.

FIG. 2 is a front view thereof;

FIG. 3 is a back view thereof;

FIG. 4 is a side elevation view thereof;

FIG. 5 is an opposite side elevation view thereof;

FIG. 6 is a top plan view thereof; and,

FIG. 7 is a bottom plan view thereof.

The condiment mill is a kitchen tool that may be used for, among other things, grinding peppercorns or other spices.

(56) **References Cited**

**U.S. PATENT DOCUMENTS**

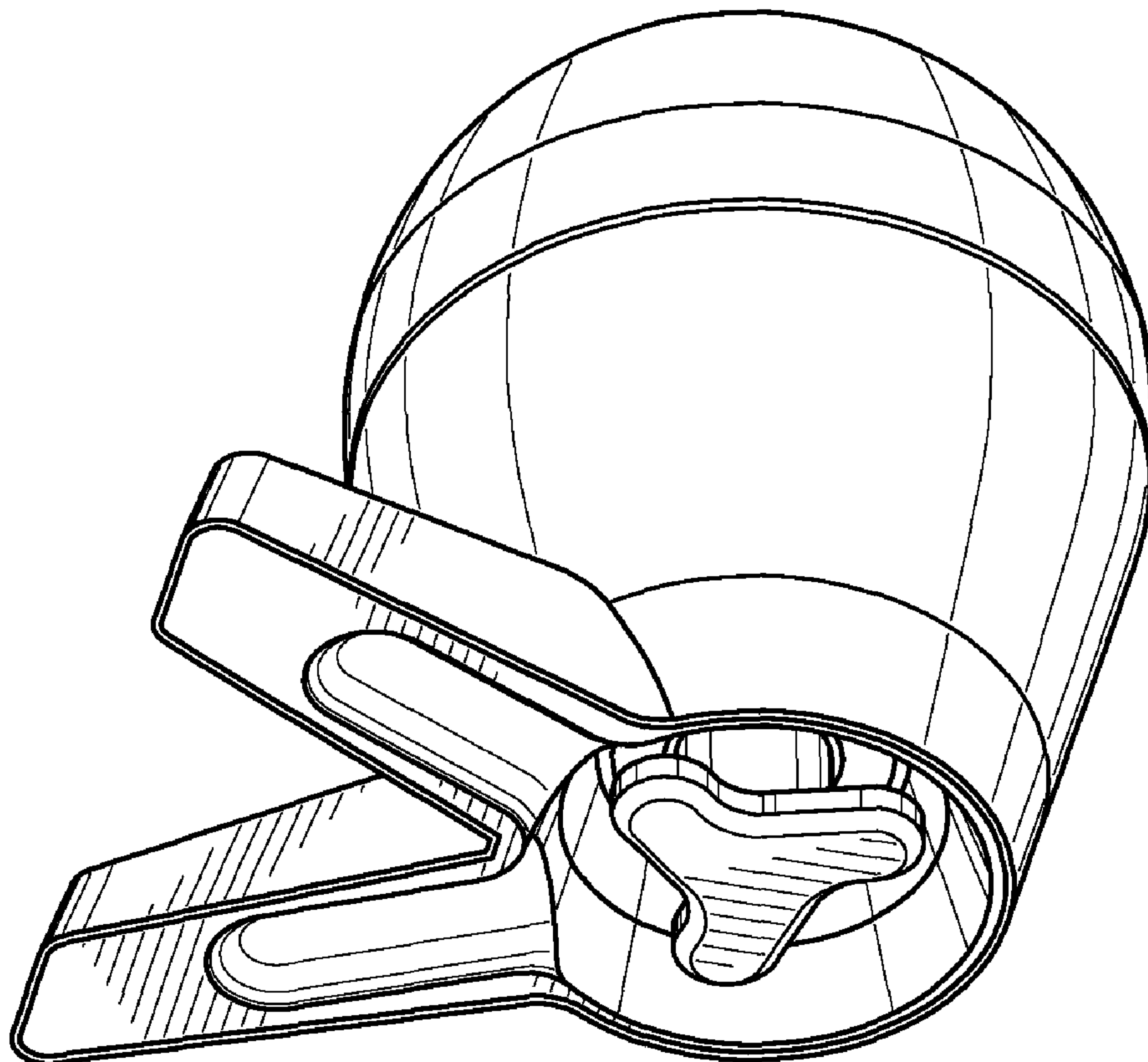
D286,607 S \* 11/1986 David ..... D7/679

D305,602 S \* 1/1990 Inomata ..... D7/374

D453,096 S \* 1/2002 Stewart et al. .... D7/679

D463,951 S \* 10/2002 Wade ..... D7/374

**1 Claim, 3 Drawing Sheets**



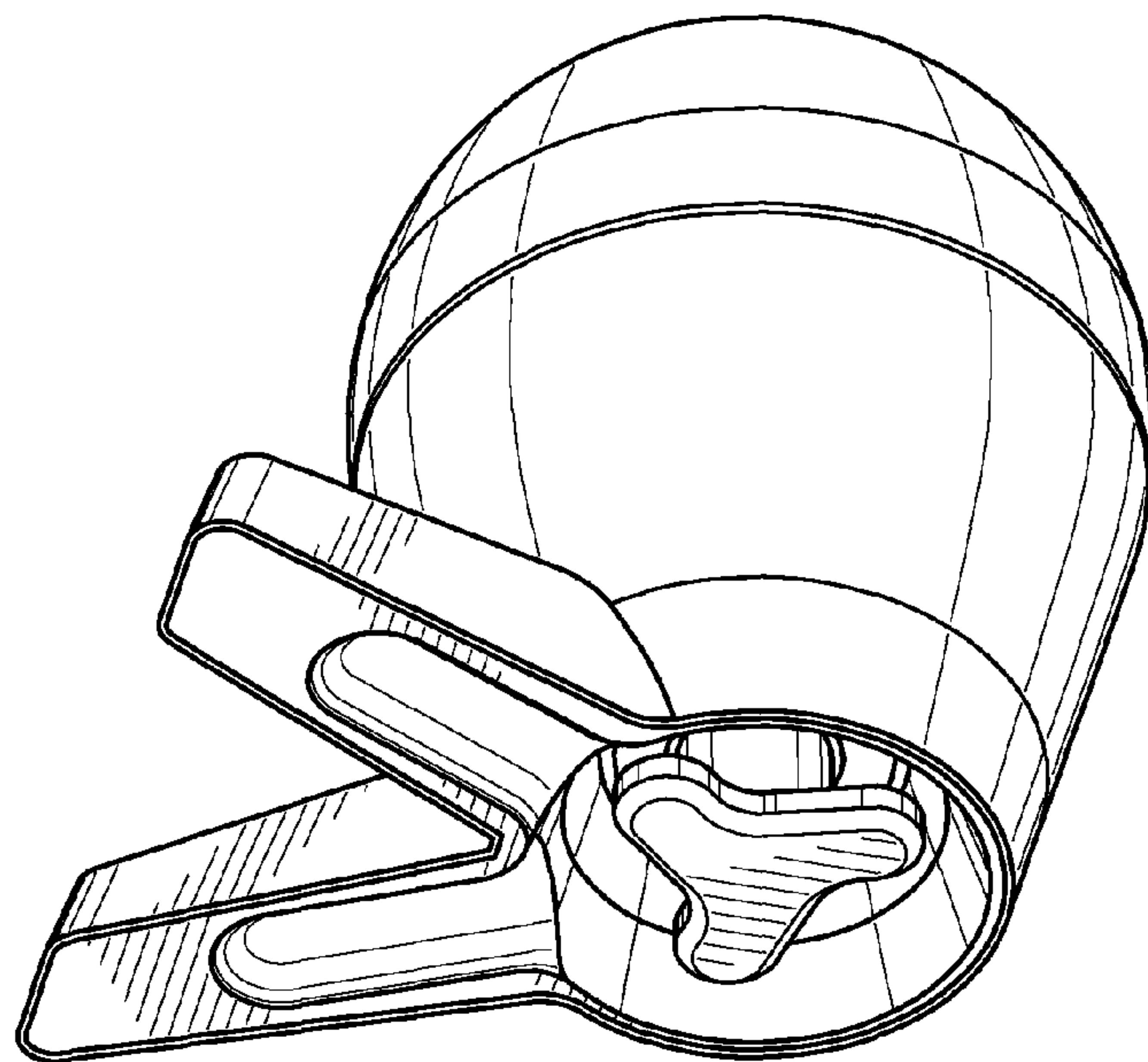


FIG. 1

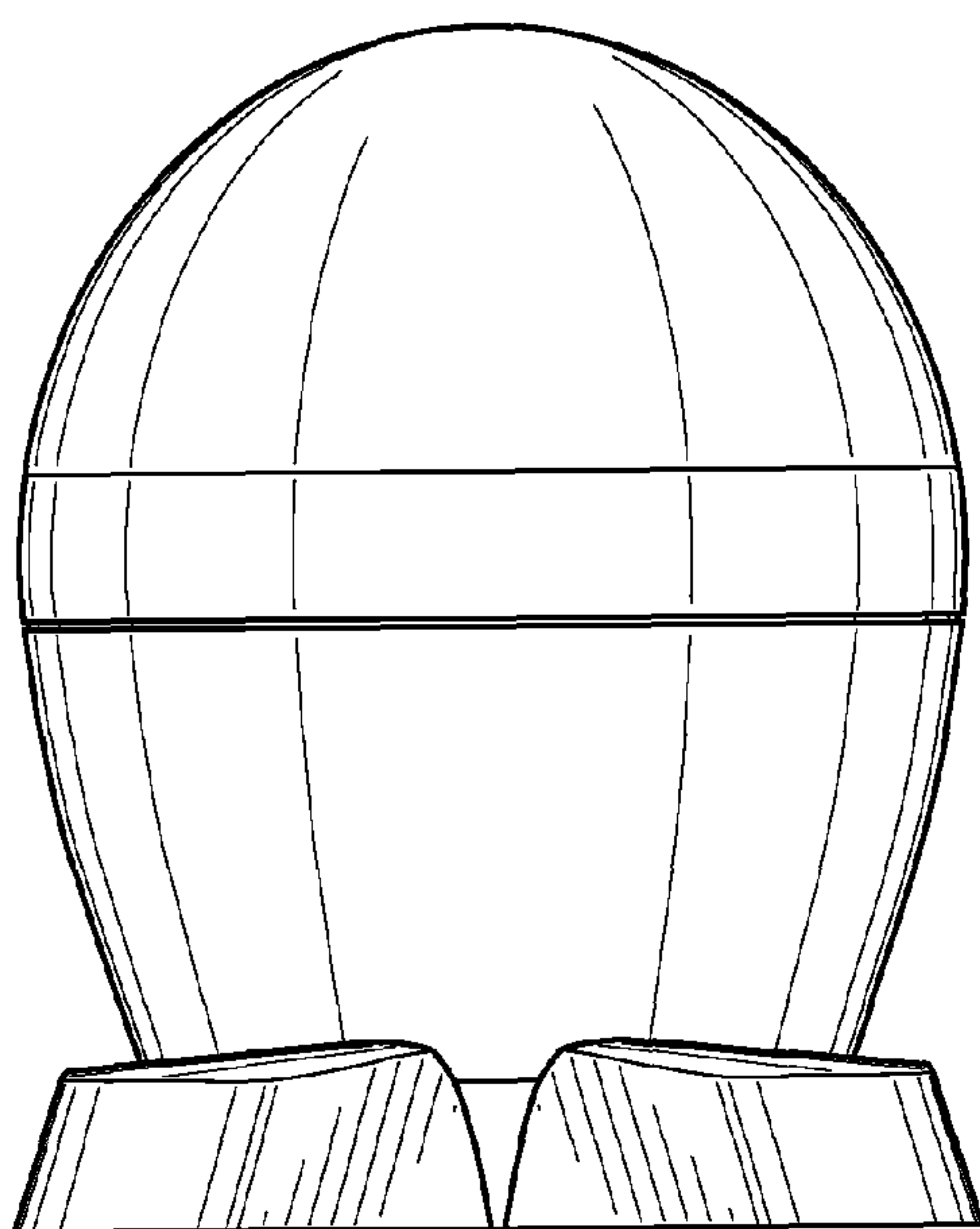


FIG. 2

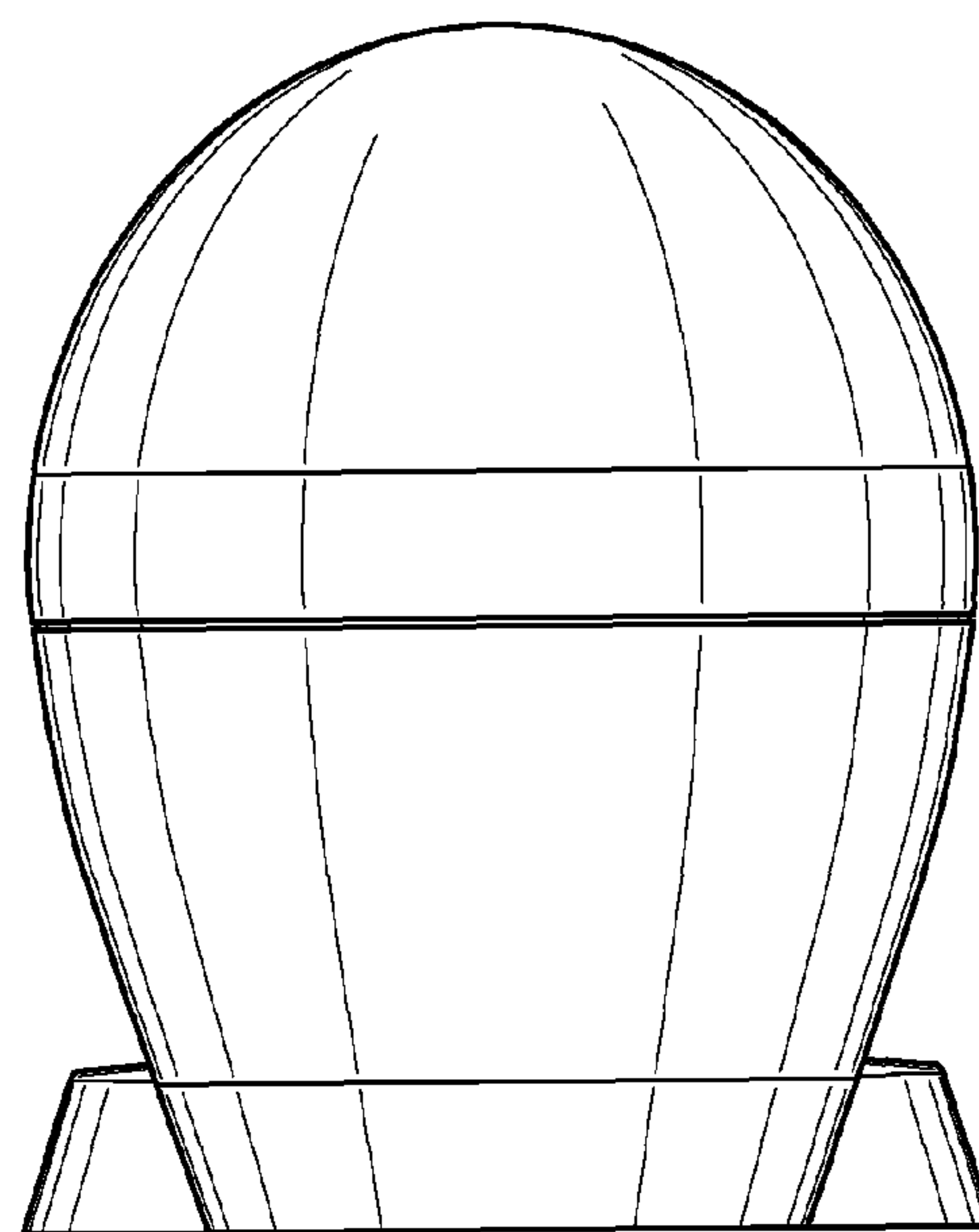
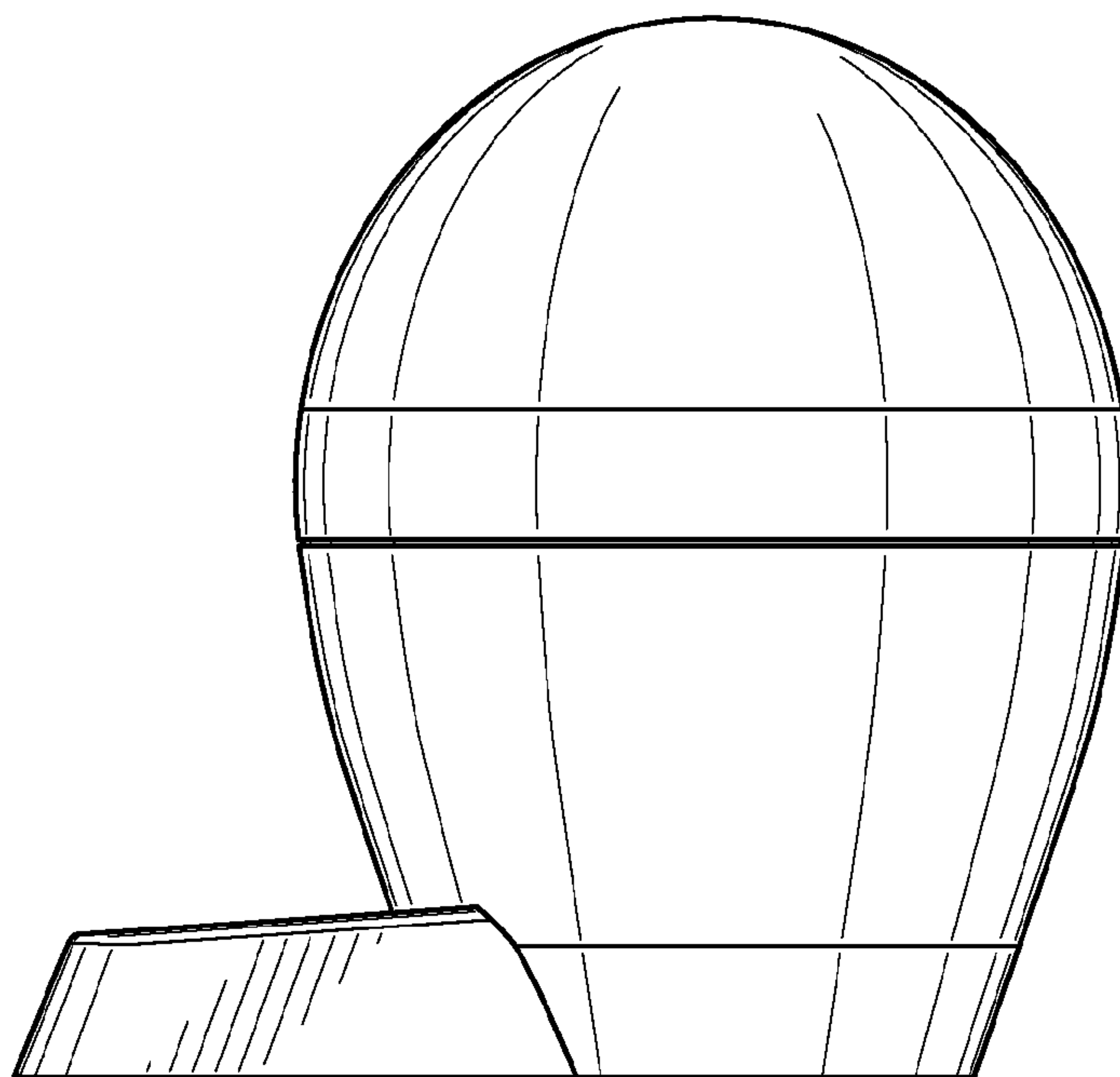
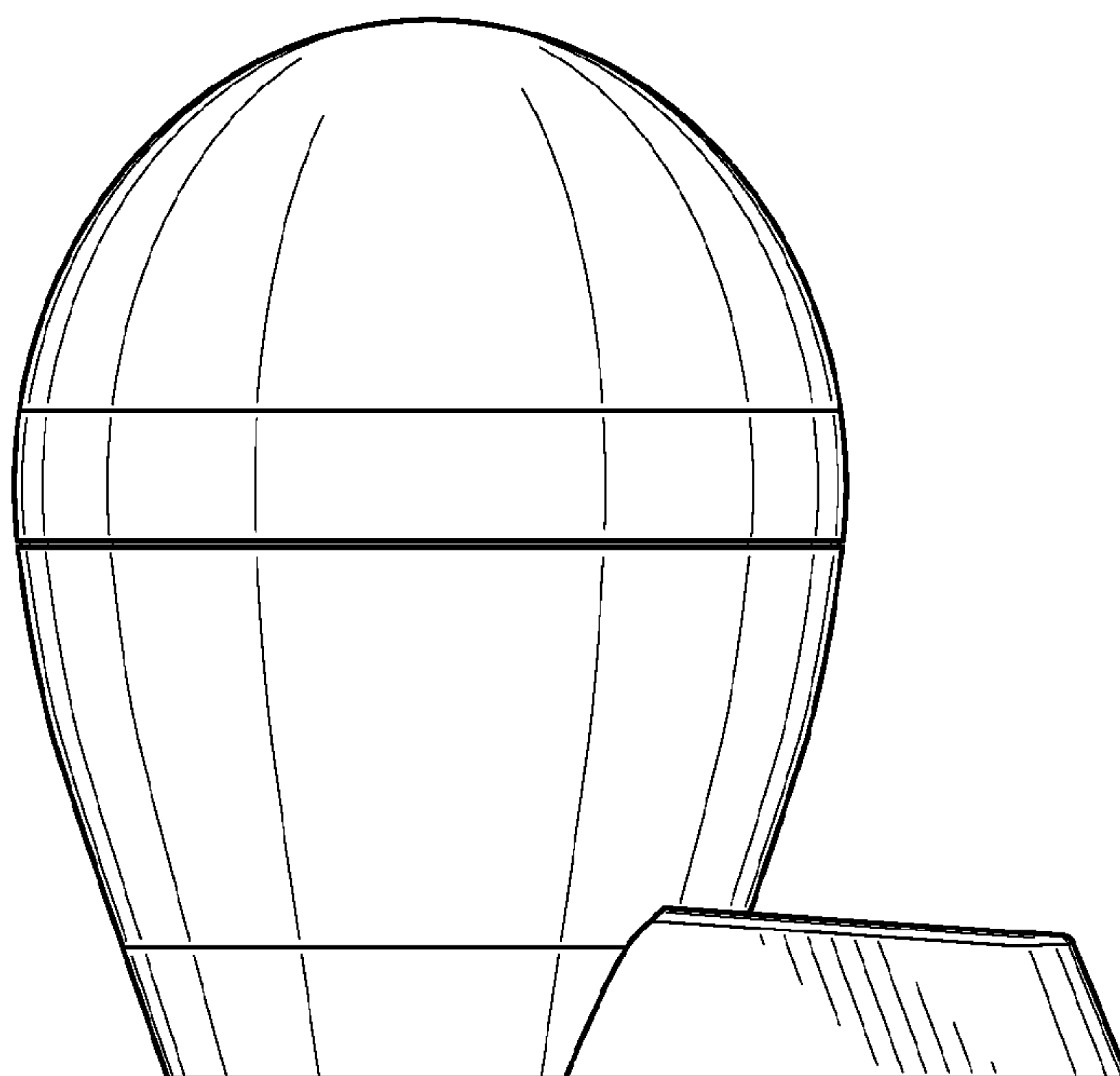


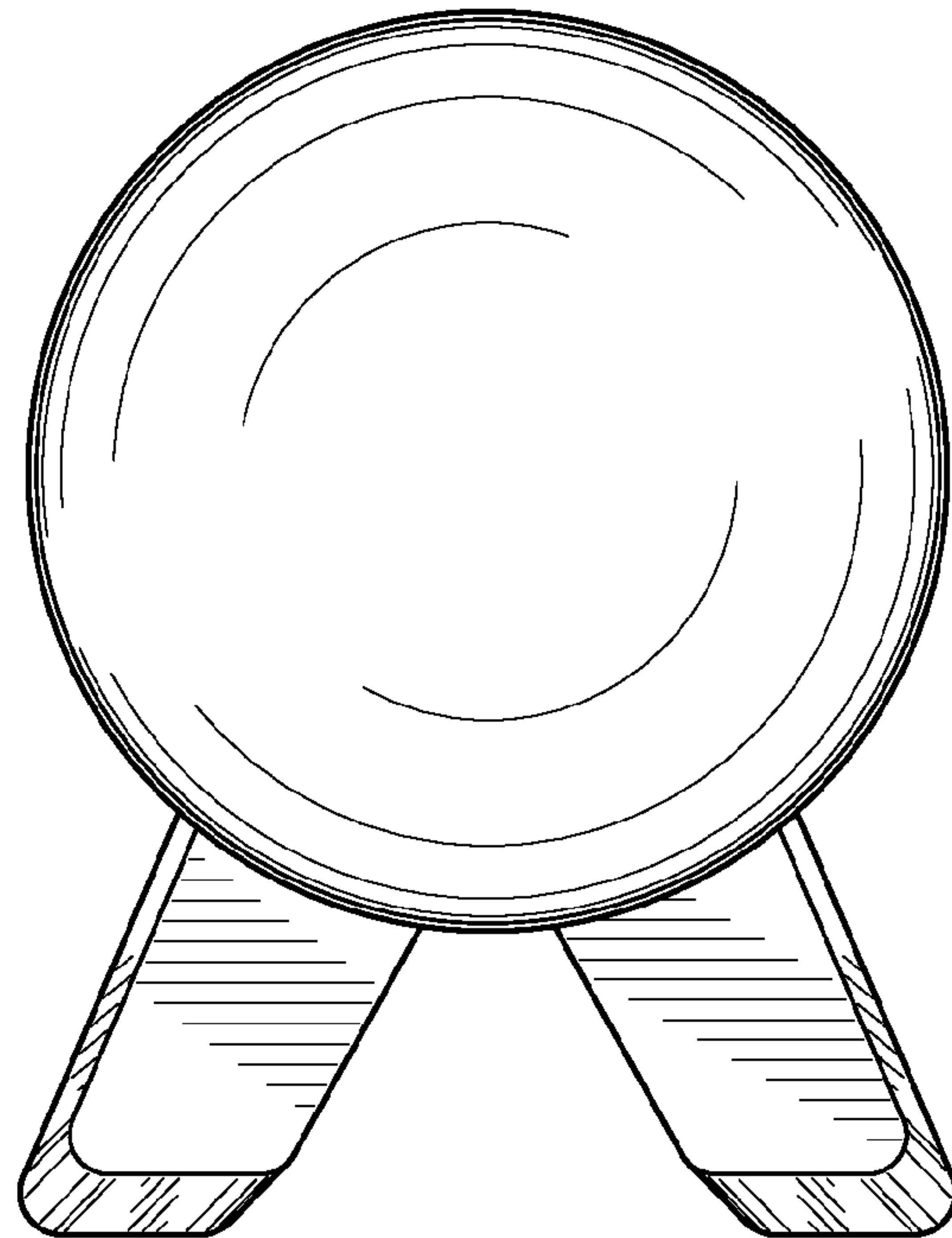
FIG. 3



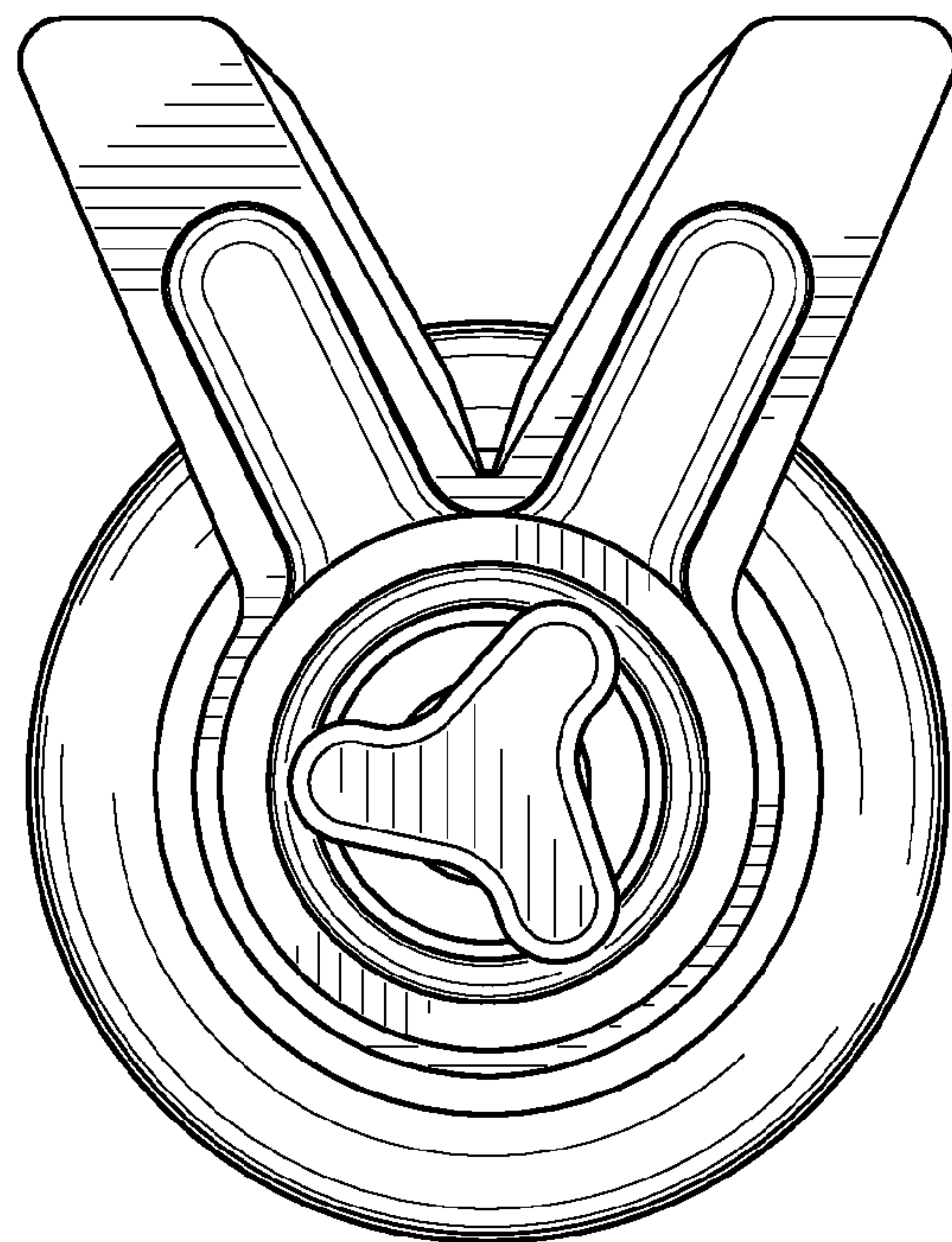
*FIG. 4*



*FIG. 5*



*FIG. 6*



*FIG. 7*