



US00D628023S

(12) **United States Design Patent**
Bodum

(10) **Patent No.:** **US D628,023 S**
(45) **Date of Patent:** **** Nov. 30, 2010**

(54) **ELECTRIC FRUIT JUICER**

(75) Inventor: **Jorgen Bodum**, Meggen (CH)

(73) Assignee: **PI-Design AG**, Triengen (CH)

(**) Term: **14 Years**

(21) Appl. No.: **29/356,849**

(22) Filed: **Mar. 3, 2010**

(30) **Foreign Application Priority Data**

Sep. 8, 2009 (WO) DM/072 273

(51) **LOC (9) Cl.** **31-00**

(52) **U.S. Cl.** **D7/665**

(58) **Field of Classification Search** D7/665-668,
D7/373, 374, 381, 384; 241/36, 37.5, 92,
241/100, 282.1; 99/501-513, 495, 499, 348,
99/357

See application file for complete search history.

(56) **References Cited**

U.S. PATENT DOCUMENTS

D472,775 S * 4/2003 Schwamkrug D7/665
D506,360 S 6/2005 Jorgensen
D521,815 S * 5/2006 Fung D7/665
D544,318 S * 6/2007 Bodum D7/665

OTHER PUBLICATIONS

Bodum Catalog 2004/2005, pp. 145 and 146.
Bodum Catalog 2007/2008, p. 70.

* cited by examiner

Primary Examiner—Terry A Wallace

(74) *Attorney, Agent, or Firm*—Sughrue Mion, PLLC

(57) **CLAIM**

The ornamental design for a electric fruit juicer, as shown and described.

DESCRIPTION

FIG. 1 is a perspective view of an electric fruit juicer that constitutes my invention;

FIG. 2 is a front elevation view of the electric fruit juicer;

FIG. 3 is a back elevation view of the electric fruit juicer;

FIG. 4 is a right elevation view of the electric fruit juicer;

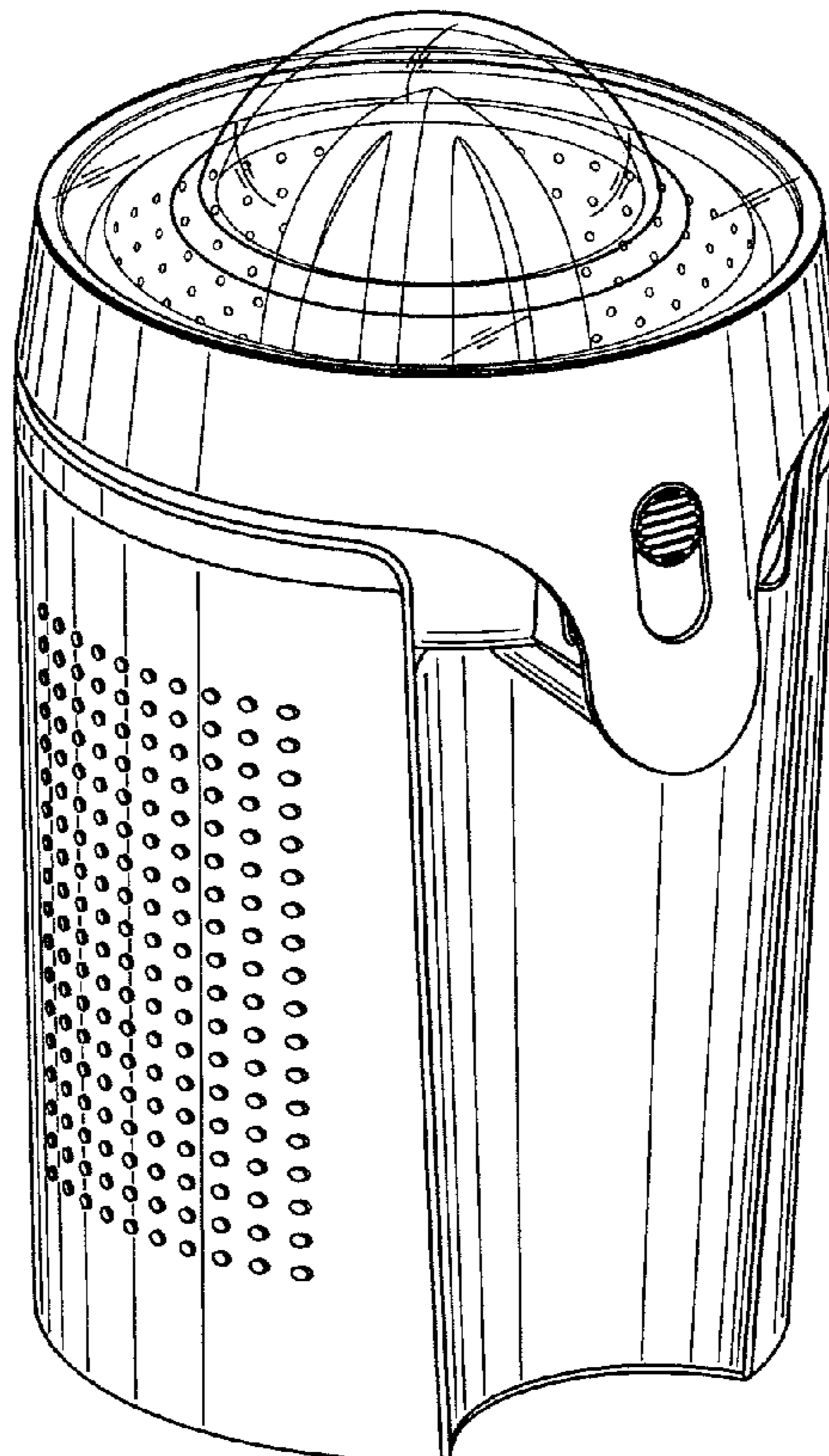
FIG. 5 is a left elevation view of the electric fruit juicer;

FIG. 6 is a top view of the electric fruit juicer;

FIG. 7 is a bottom view of the electric fruit juicer; and,

FIG. 8 is a perspective and separated view of the electric fruit juicer.

1 Claim, 8 Drawing Sheets



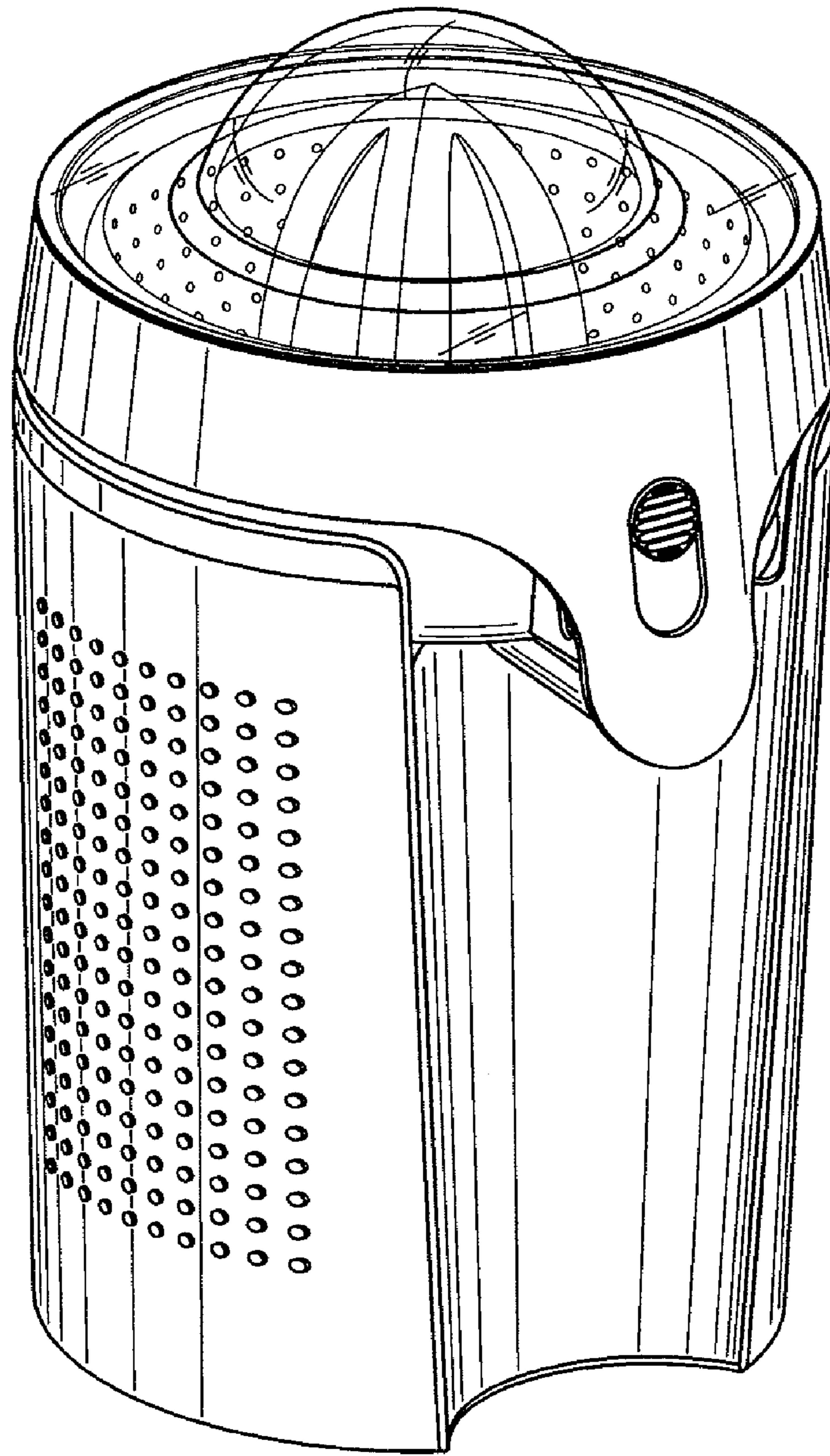


Figure 1

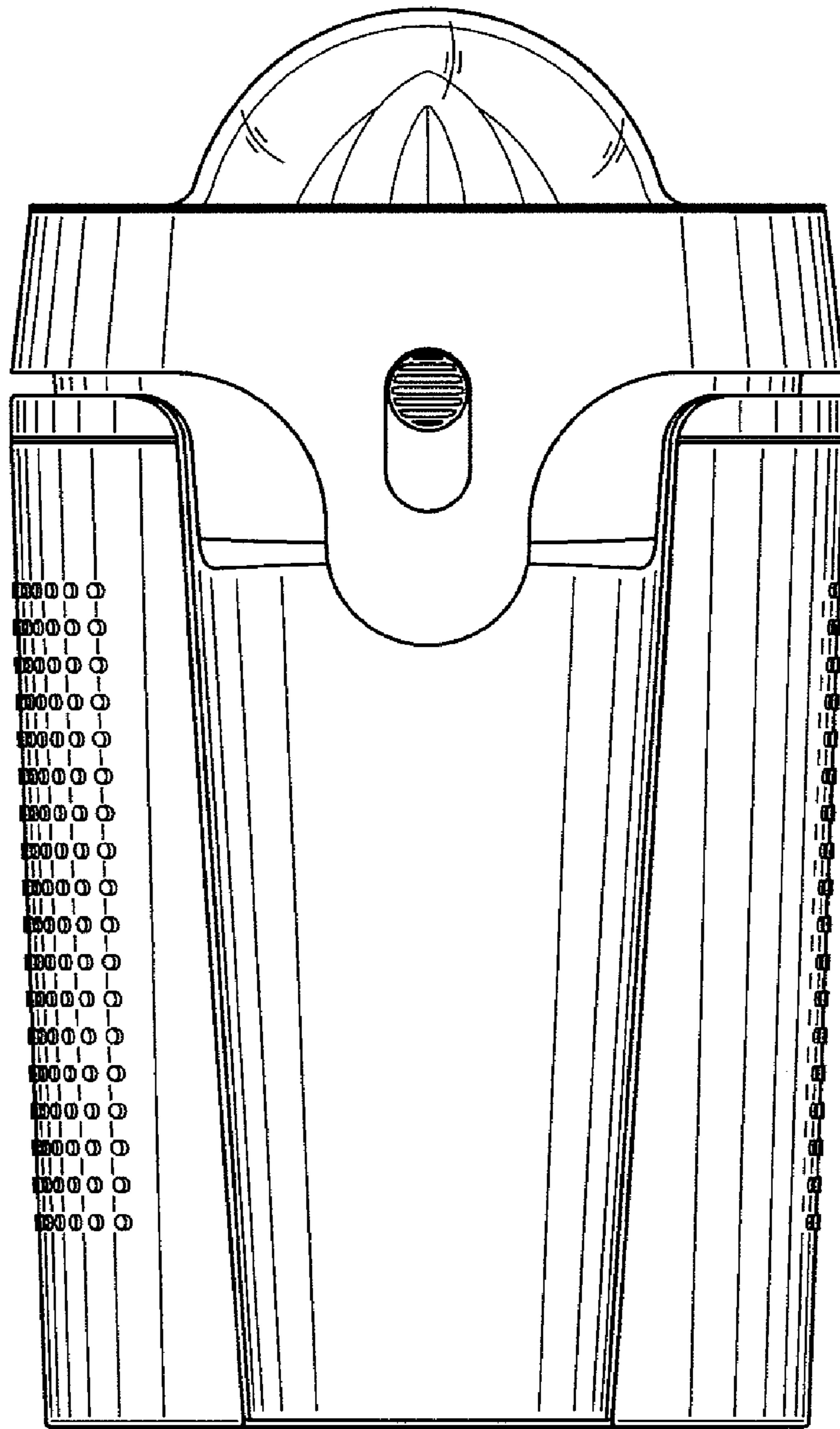


Figure 2

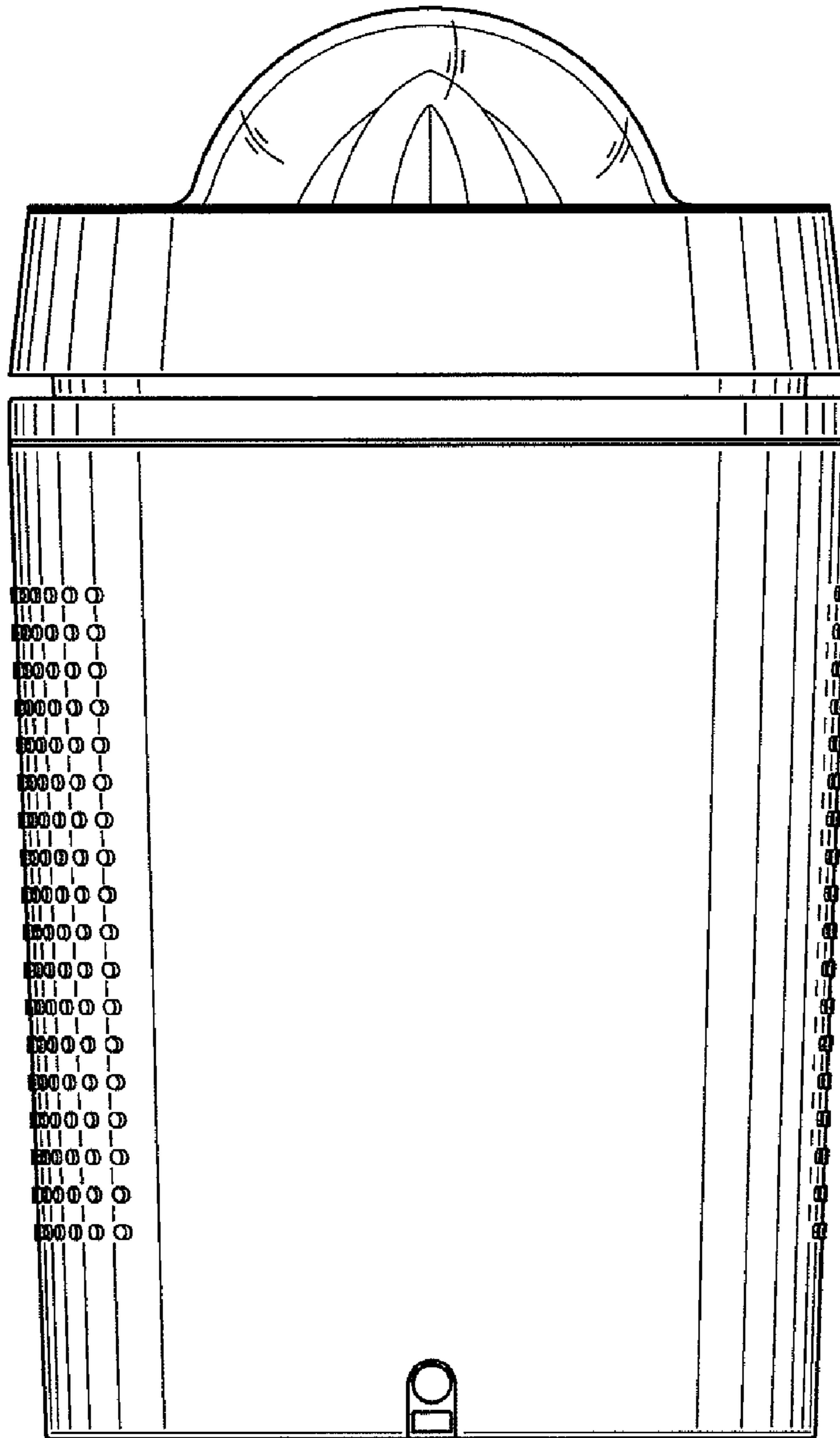


Figure 3

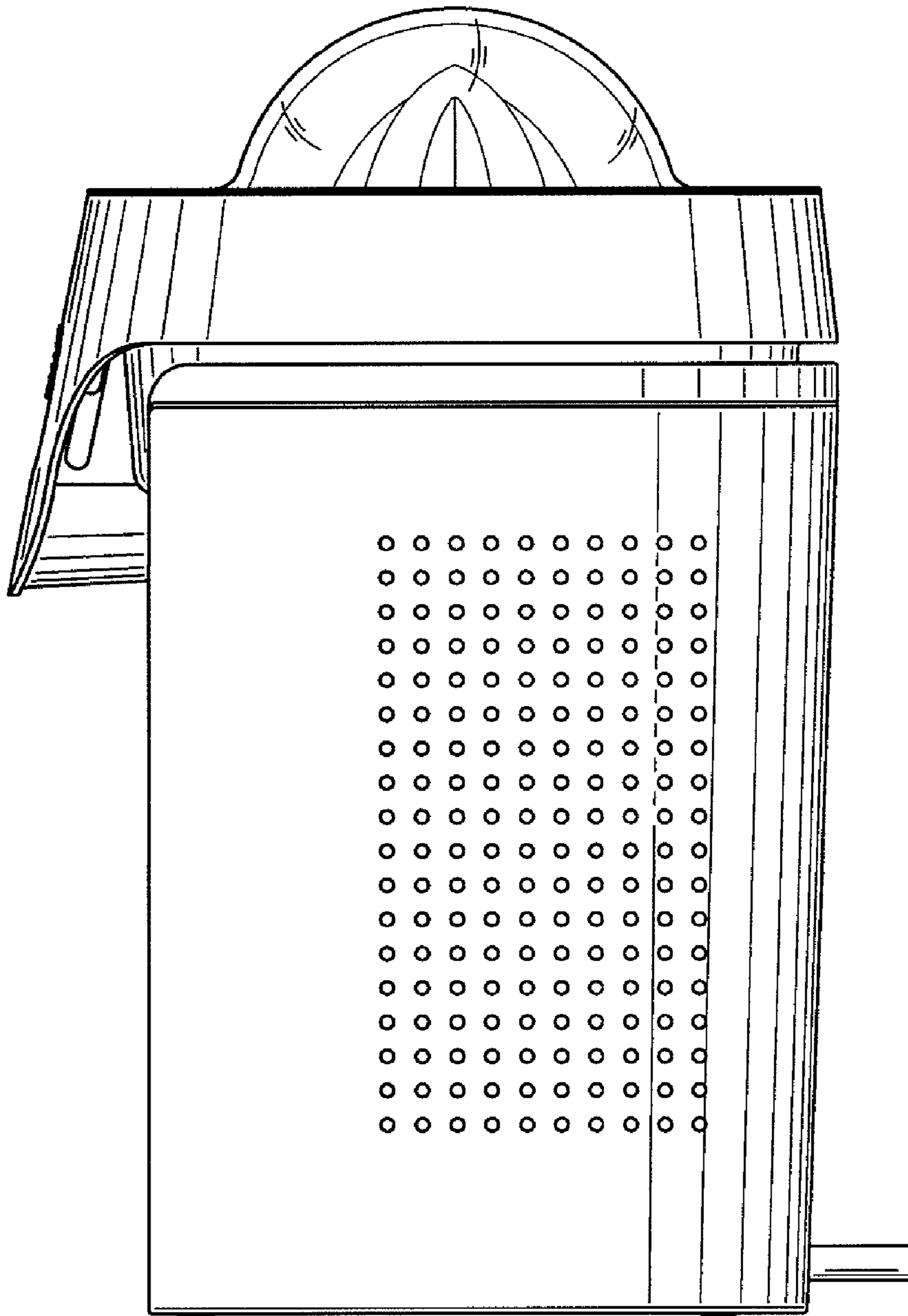


Figure 4

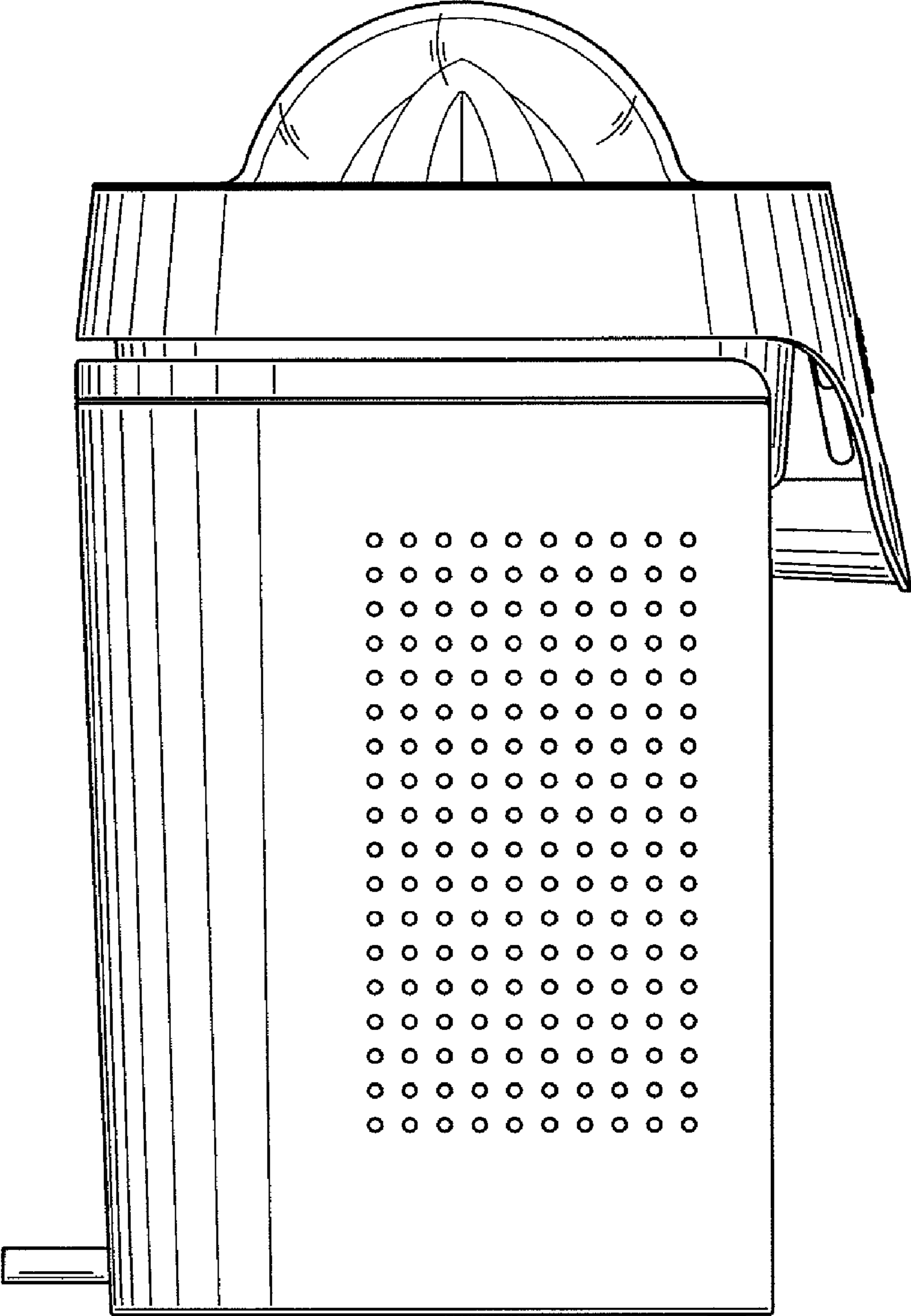


Figure 5

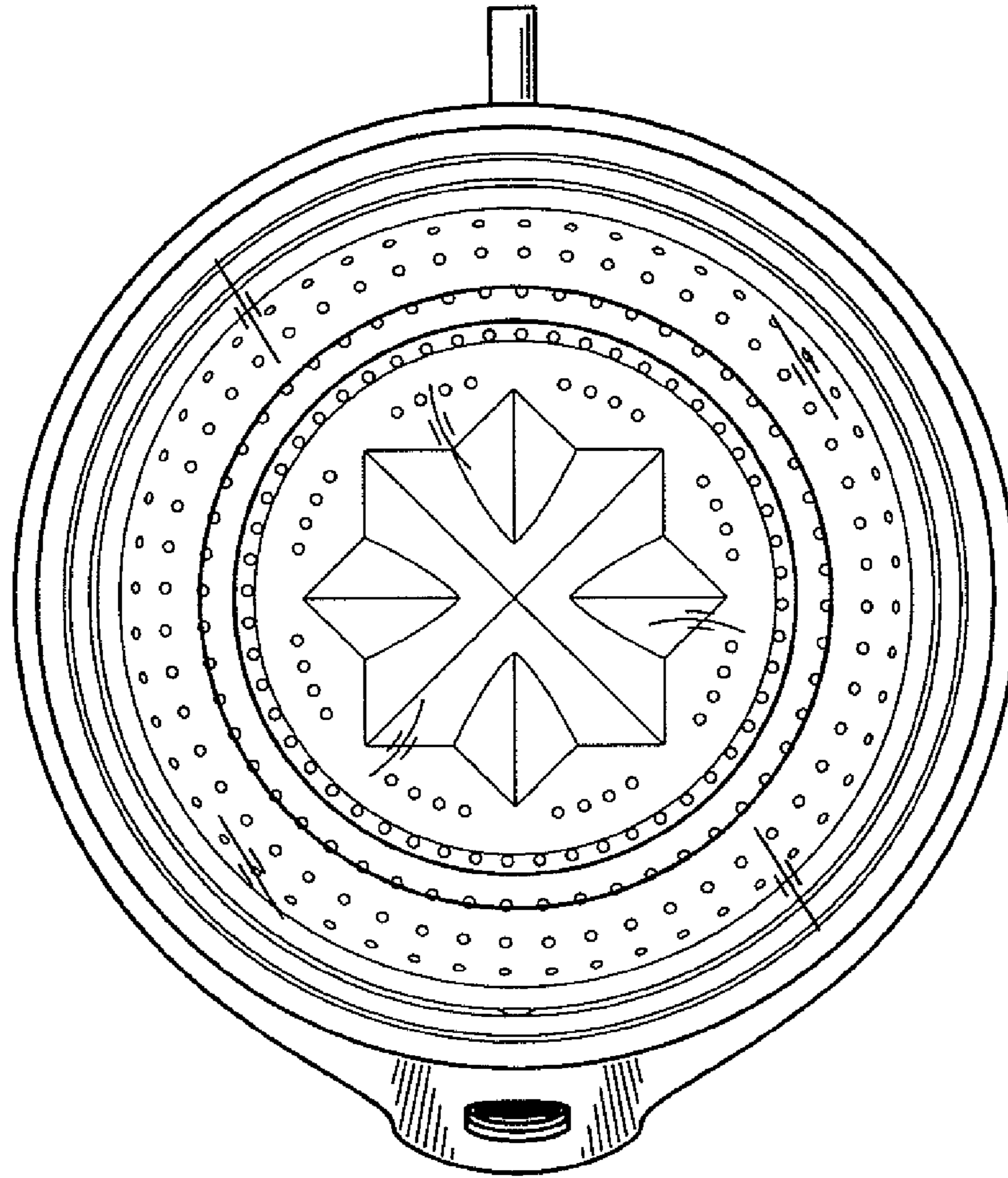


Figure 6

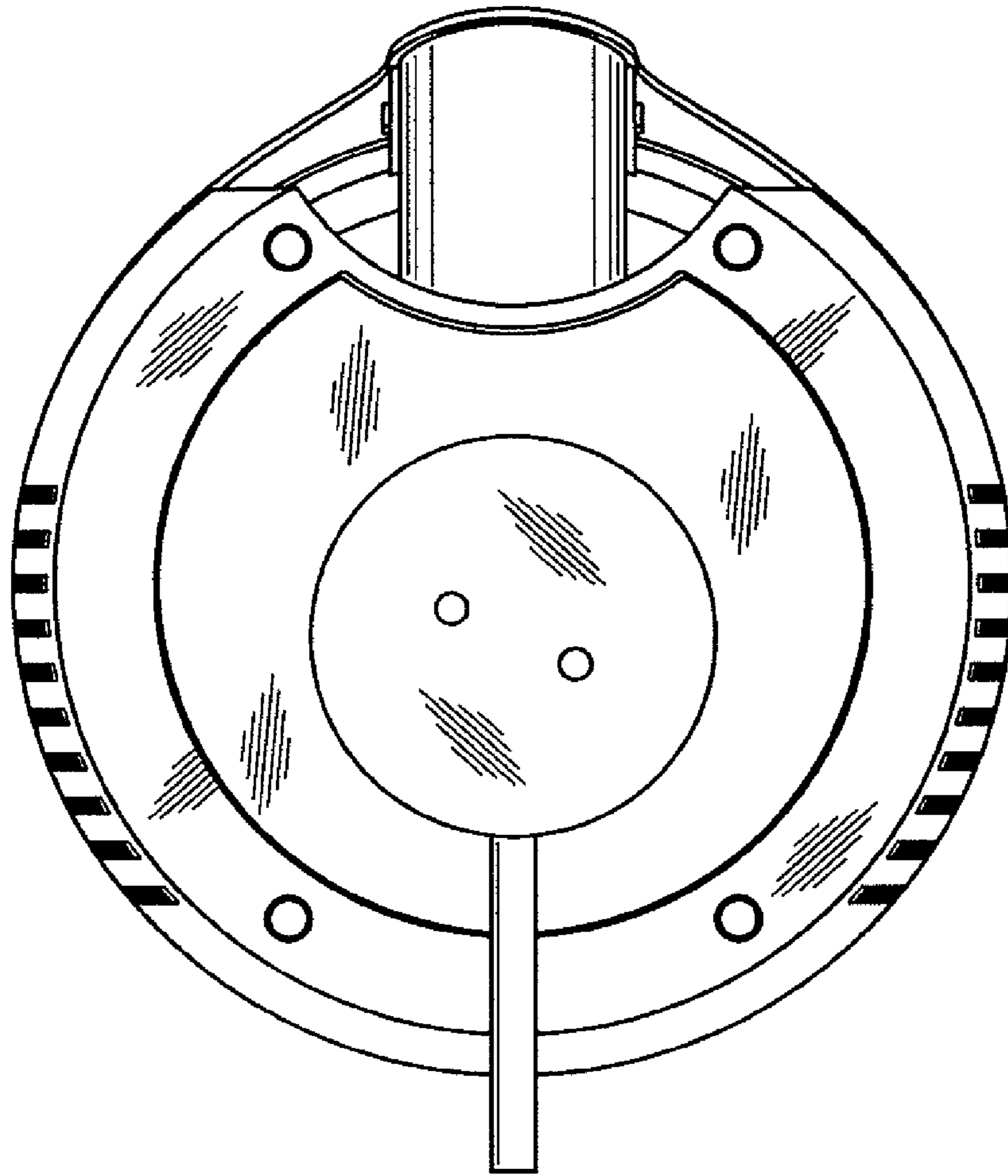


Figure 7

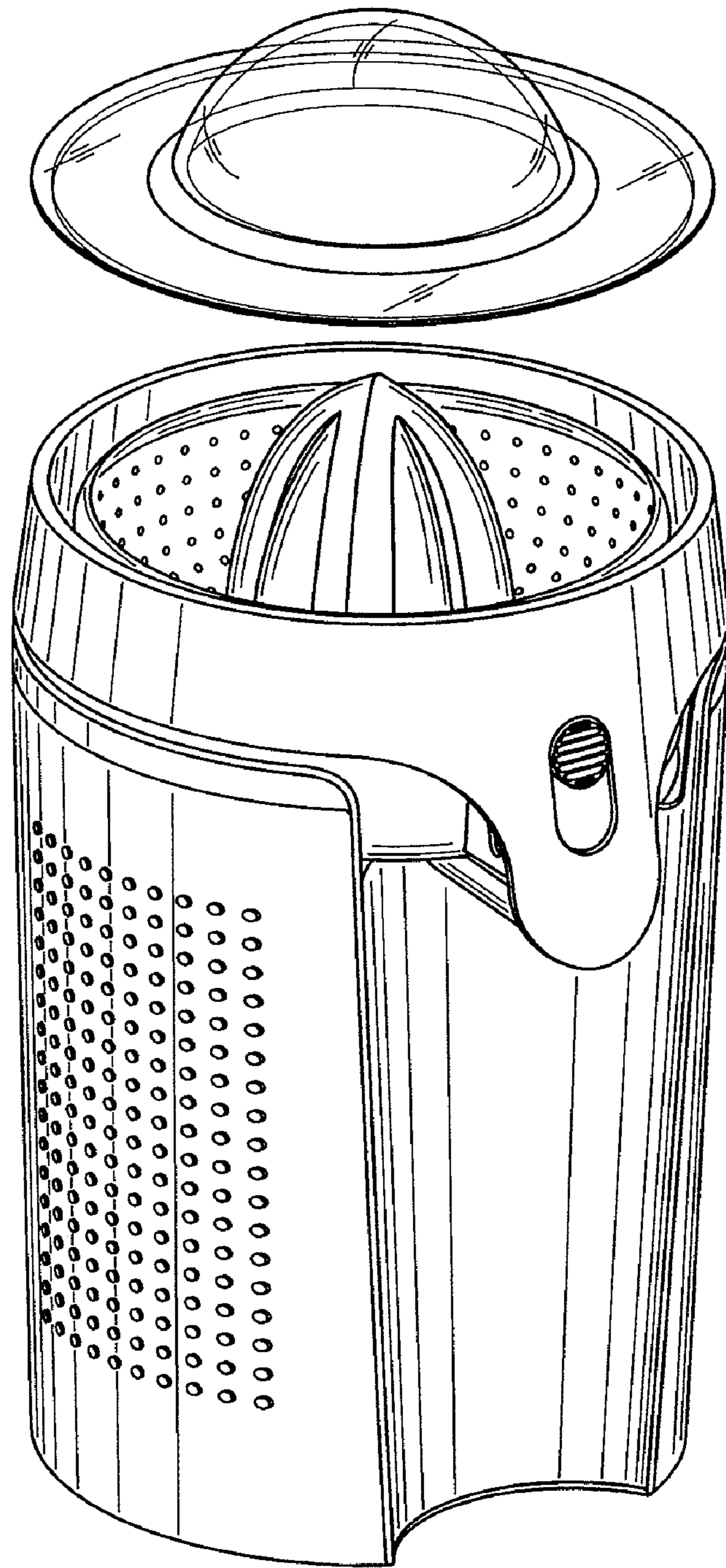


Figure 8