

US00D628022S

(12) **United States Design Patent**  
**Stokes**

(10) **Patent No.:** **US D628,022 S**

(45) **Date of Patent:** **\*\* Nov. 30, 2010**

(54) **KNIFE BLADE PROTECTOR**

(75) Inventor: **Andrew John Stokes**, Derbyshire (GB)

(73) Assignee: **Bisbell Magnetic Products Limited**  
(GB)

(\*\*) Term: **14 Years**

(21) Appl. No.: **29/367,138**

(22) Filed: **Aug. 3, 2010**

**Related U.S. Application Data**

(62) Division of application No. 29/341,642, filed on Aug. 10, 2009, now Pat. No. Des. 625,967.

(30) **Foreign Application Priority Data**

Feb. 24, 2009	(EM)	001093603-0001
Feb. 24, 2009	(EM)	001093603-0002
Feb. 24, 2009	(EM)	001093603-0004
Feb. 24, 2009	(EM)	001093603-0005
Feb. 24, 2009	(EM)	001093603-0006
Feb. 24, 2009	(EM)	001093603-0007
Feb. 24, 2009	(EM)	001093603-0009
Feb. 24, 2009	(EM)	001093603-0011
Feb. 24, 2009	(EM)	001093603-0012
Feb. 24, 2009	(EM)	001093603-0013
Feb. 24, 1919	(EM)	001093603-0003

(51) **LOC (9) Cl.** ..... **07-06**

(52) **U.S. Cl.** ..... **D7/641**

(58) **Field of Classification Search** ..... D7/637-641;  
D3/220; 30/162, 138, 296.1, 151, 156, 295.4;  
224/234, 232, 233

See application file for complete search history.

(56) **References Cited**

**U.S. PATENT DOCUMENTS**

2,528,059 A \* 10/1950 Kendrick ..... 30/151

D255,507	S *	6/1980	Gingher, Jr. ....	D3/220
4,588,209	A	5/1986	Zebrowski et al.	
4,654,968	A *	4/1987	Gatley et al. ....	30/138
4,835,863	A *	6/1989	Salandre .....	30/143
D433,882	S *	11/2000	Neshat et al. ....	D7/637
6,308,419	B1 *	10/2001	Neshat et al. ....	30/151
2002/0116829	A1	8/2002	McLaughlin	
2004/0231164	A1	11/2004	McLaughlin	

**FOREIGN PATENT DOCUMENTS**

GB 2459187 10/2009

**OTHER PUBLICATIONS**

Search Report which issued in connection with corresponding British Application No. GB0905163.2 on Dec. 29, 2009.

\* cited by examiner

*Primary Examiner*—Terry A Wallace  
(74) *Attorney, Agent, or Firm*—Clark Hill PLC

(57) **CLAIM**

The ornamental design for a knife blade protector, as shown and described.

**DESCRIPTION**

FIG. 1 is a perspective view of a knife blade protector in the closed condition;

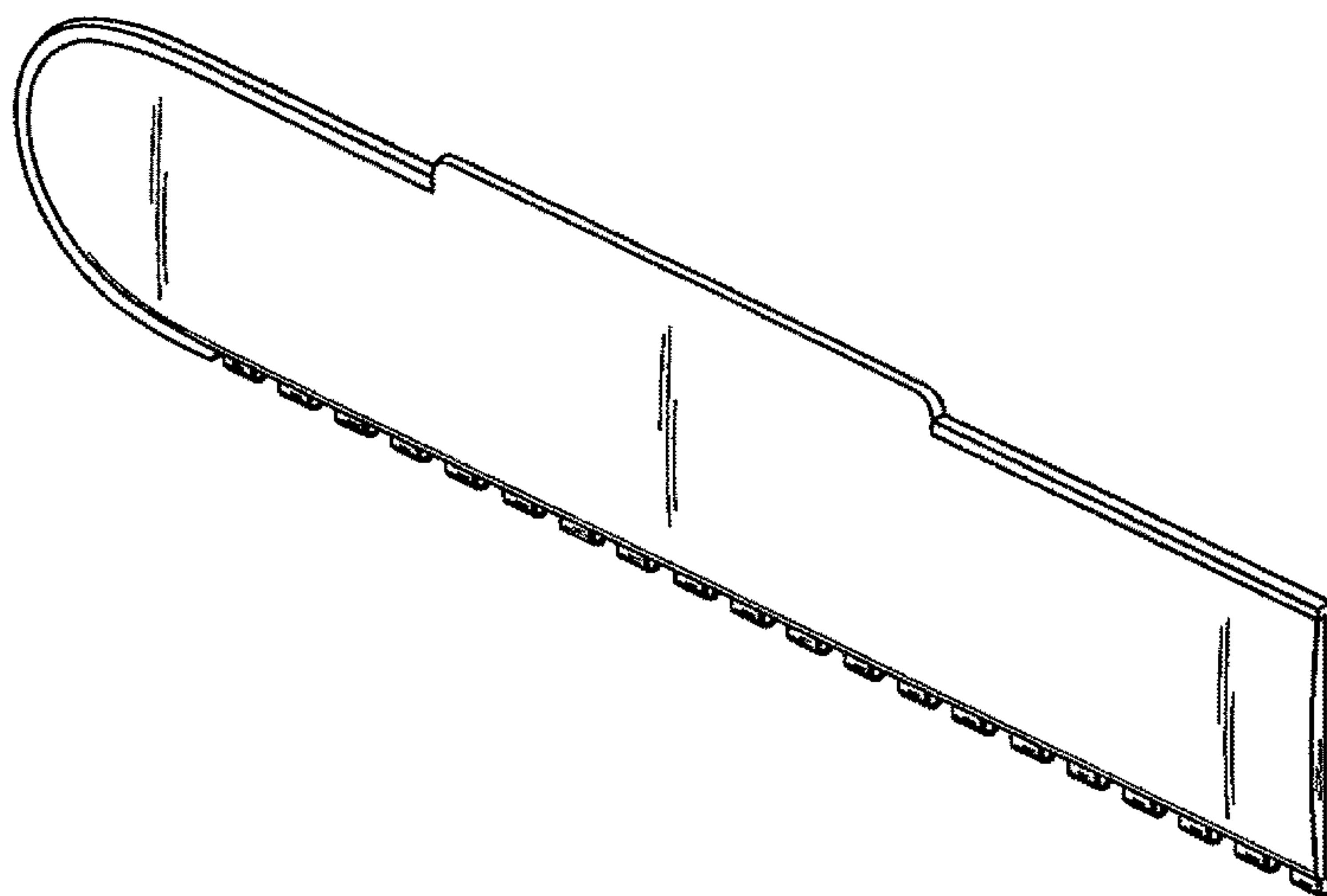
FIG. 2 is an end elevation of the protector of FIG. 1 in the open condition;

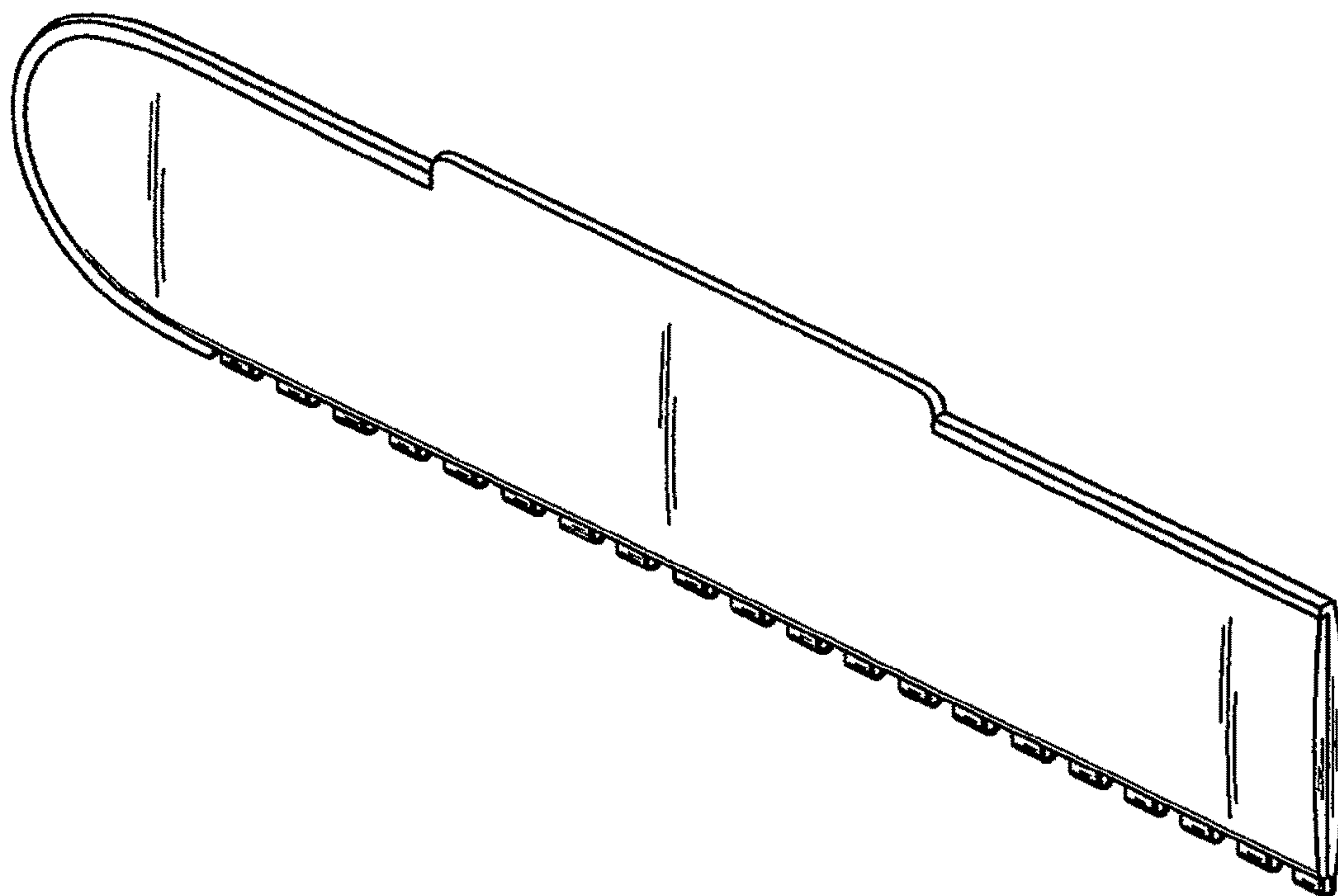
FIG. 3 is a front elevation of FIG. 2;

FIG. 4 is a rear elevation of FIG. 2; and,

FIG. 5 is a plan view of the protector of FIG. 1 in the closed condition.

**1 Claim, 2 Drawing Sheets**

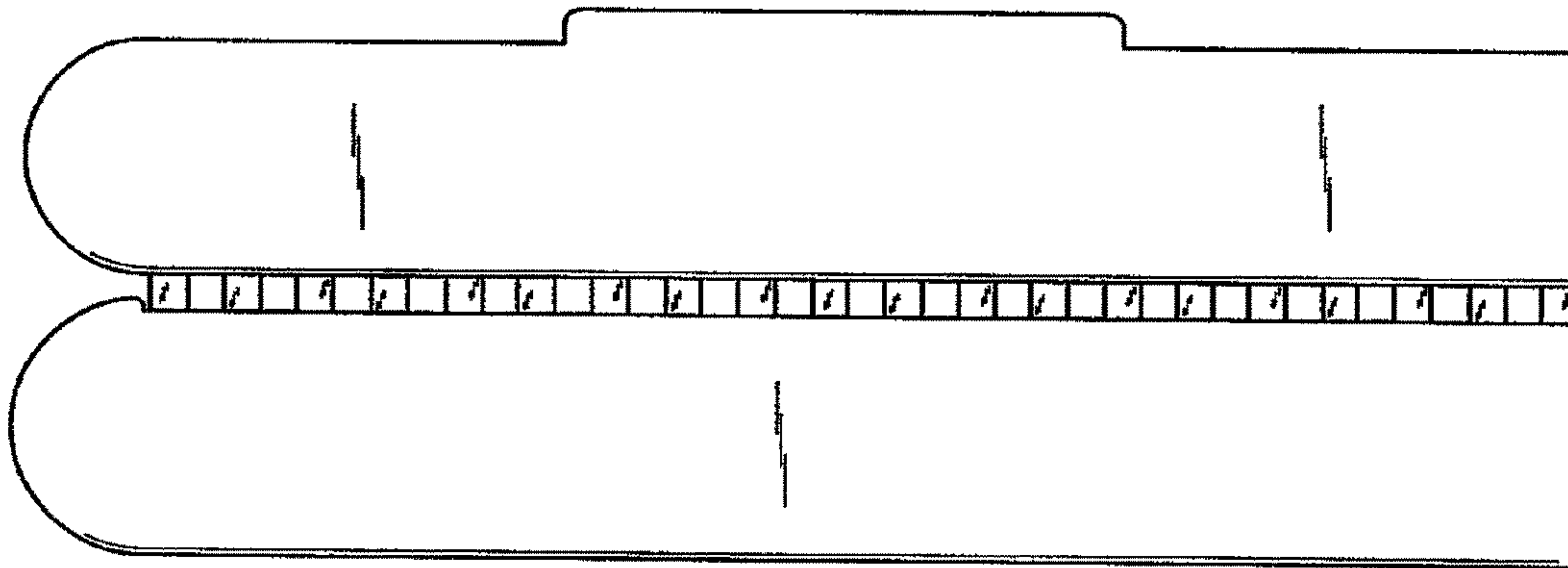




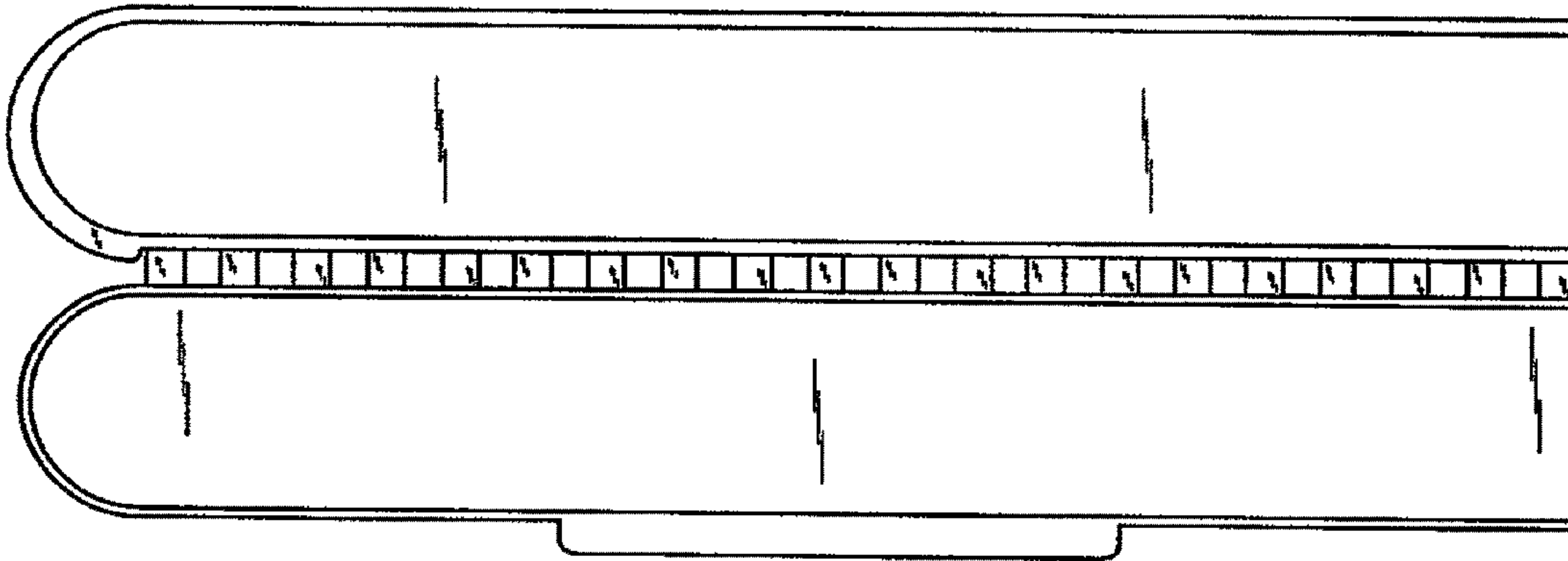
*Fig. 1*



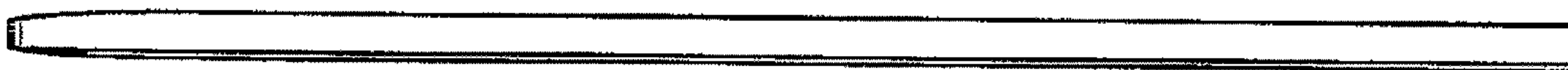
*Fig. 2*



*Fig. 3*



*Fig. 4*



*Fig. 5*