



US00D628021S

(12) **United States Design Patent**
Curtin

(10) **Patent No.:** **US D628,021 S**
(45) **Date of Patent:** **** Nov. 30, 2010**

(54) **COLLAPSIBLE SALAD SPINNER CARRIER**

(75) Inventor: **Heather Curtin**, Duarte, CA (US)

(73) Assignee: **Progressive International Corporation**,
Kent, WA (US)

(**) Term: **14 Years**

(21) Appl. No.: **29/355,385**

(22) Filed: **Feb. 5, 2010**

(51) **LOC (9) Cl.** **07-01**

(52) **U.S. Cl.** **D7/629**

(58) **Field of Classification Search** D7/500,
D7/538, 542-543, 545, 586-587, 601-603,
D7/612, 615, 629-630; D3/273, 302; 220/573.1,
220/660, 669-673, 675, 912, 915.1; D9/500,
D9/502-503, 424-425, 428-429

See application file for complete search history.

(56) **References Cited**

U.S. PATENT DOCUMENTS

2,725,087	A	11/1955	Potter	
3,347,060	A	10/1967	Barkan	
D235,406	S	6/1975	Daenen	
3,981,401	A	9/1976	Blanchard	
4,157,103	A	6/1979	La Fleur	
4,705,172	A	11/1987	Gage	
5,377,860	A	1/1995	Littlejohn et al.	
D357,161	S	4/1995	Booten	
5,415,309	A	5/1995	Wang	
D373,954	S	9/1996	Wolff	
5,701,757	A	12/1997	Heverly	
5,704,485	A	1/1998	Cautereels et al.	
D413,489	S	9/1999	Miller	
D418,021	S	12/1999	Terracciano et al.	
D450,580	S	11/2001	Littlejohn et al.	
D479,441	S	9/2003	Whitworth et al.	
D479,952	S *	9/2003	Zimmerman D7/610
D481,910	S	11/2003	Kim	
D484,005	S *	12/2003	Levien D7/610

D489,254	S	5/2004	Kocis et al.	
D500,227	S	12/2004	Seok	
D508,378	S	8/2005	Bertulis	
D522,813	S *	6/2006	Swinford et al. D7/610
D527,227	S	8/2006	Bertulis	
D549,519	S	8/2007	Moon et al.	
D557,601	S	12/2007	Minidis	
D578,336	S *	10/2008	Kim D7/354
7,472,799	B2	1/2009	Cadiente et al.	
D588,874	S	3/2009	Huang	
D592,049	S	5/2009	Doliwa et al.	
D608,592	S	1/2010	Curtin	
D609,979	S *	2/2010	Soibel et al. D7/629
D614,453	S *	4/2010	Curtin et al. D7/629

* cited by examiner

Primary Examiner—Charles A Rademaker

Assistant Examiner—Dana L Sipos

(74) *Attorney, Agent, or Firm*—Black Lowe & Graham,
PLLC

(57) **CLAIM**

I claim the ornamental design for a collapsible salad spinner carrier, as shown and described.

DESCRIPTION

FIG. 1 is a perspective view of the collapsible salad spinner carrier, showing my new design;

FIG. 2 is a front view of the collapsible salad spinner carrier, the back view being a mirror image;

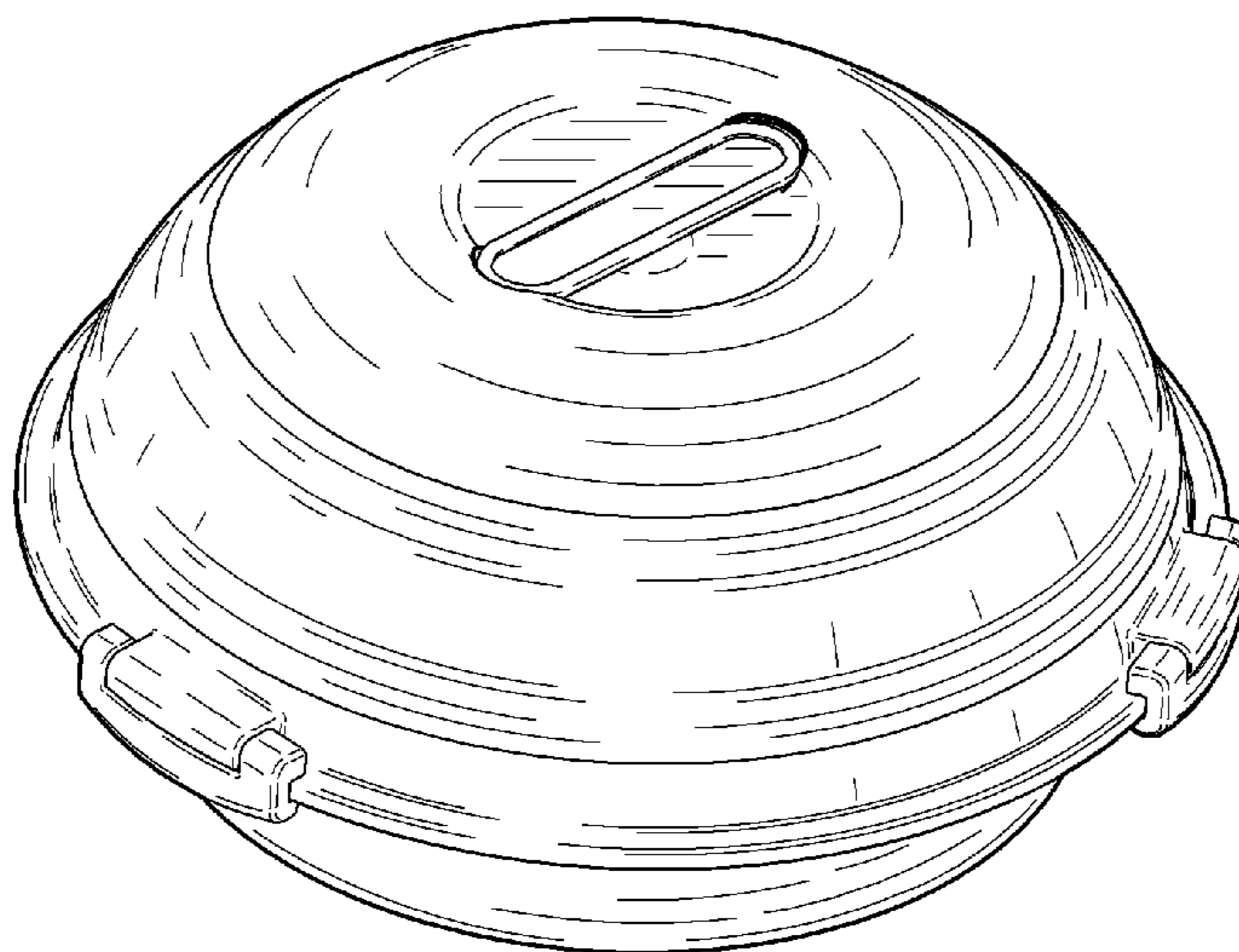
FIG. 3 is a top view of the collapsible salad spinner carrier;

FIG. 4 is a right side view of the collapsible salad spinner carrier;

FIG. 5 is a left side view of the collapsible salad spinner carrier; and,

FIG. 6 is a bottom view of the collapsible salad spinner carrier, wherein the lines in phantom represent an intended environment but form no part of the claimed design.

1 Claim, 4 Drawing Sheets



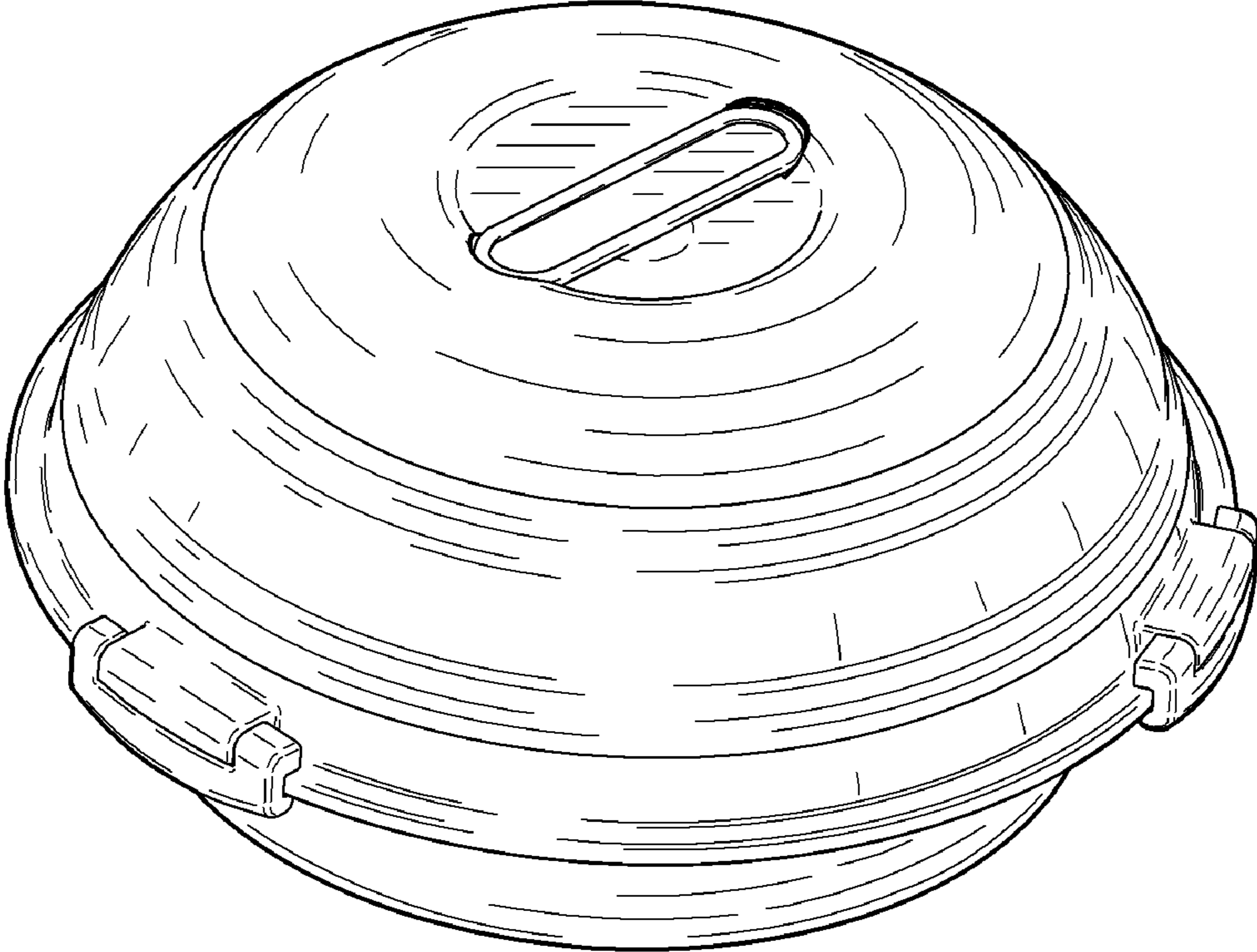


FIG.1

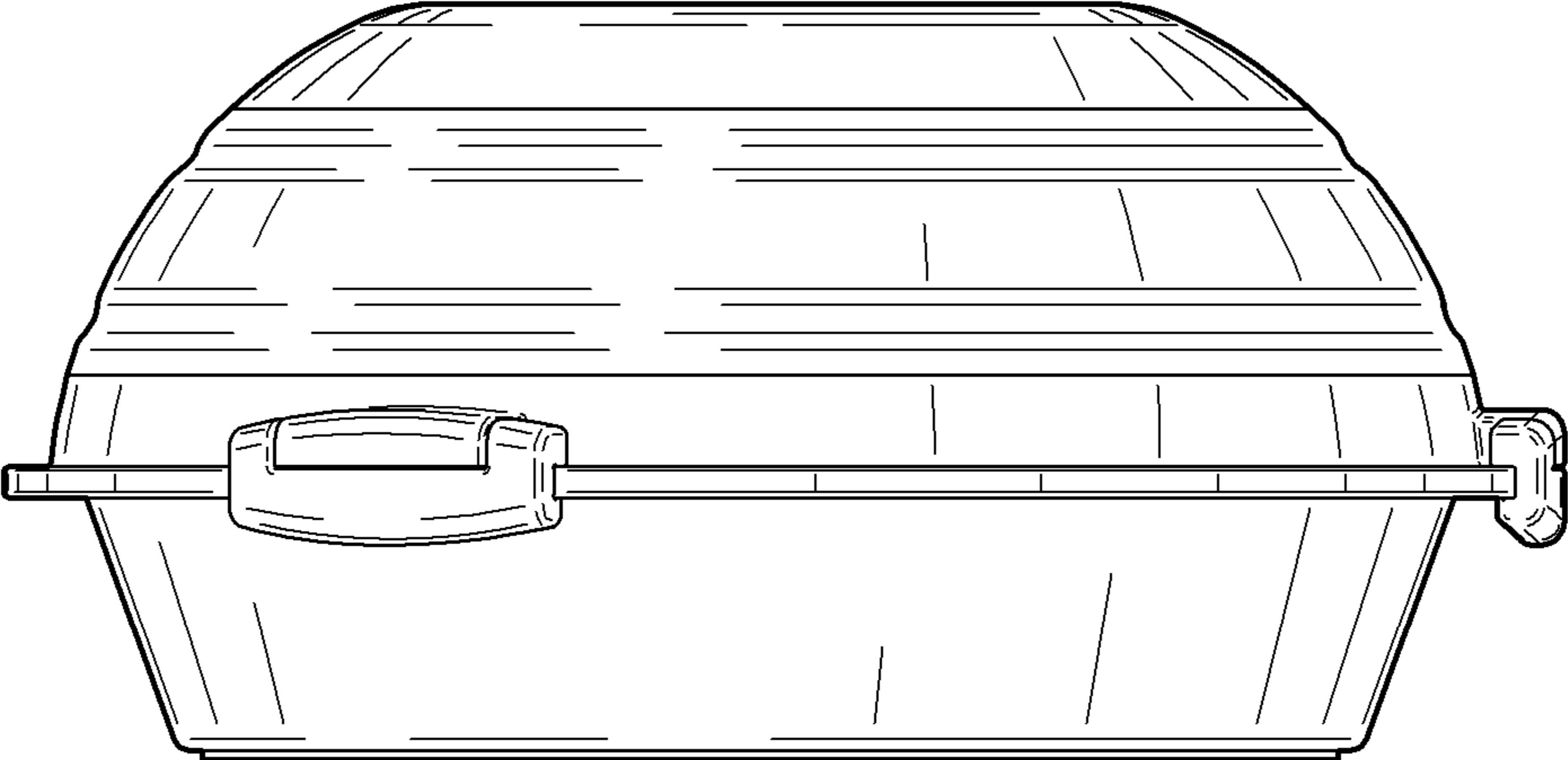


FIG. 2

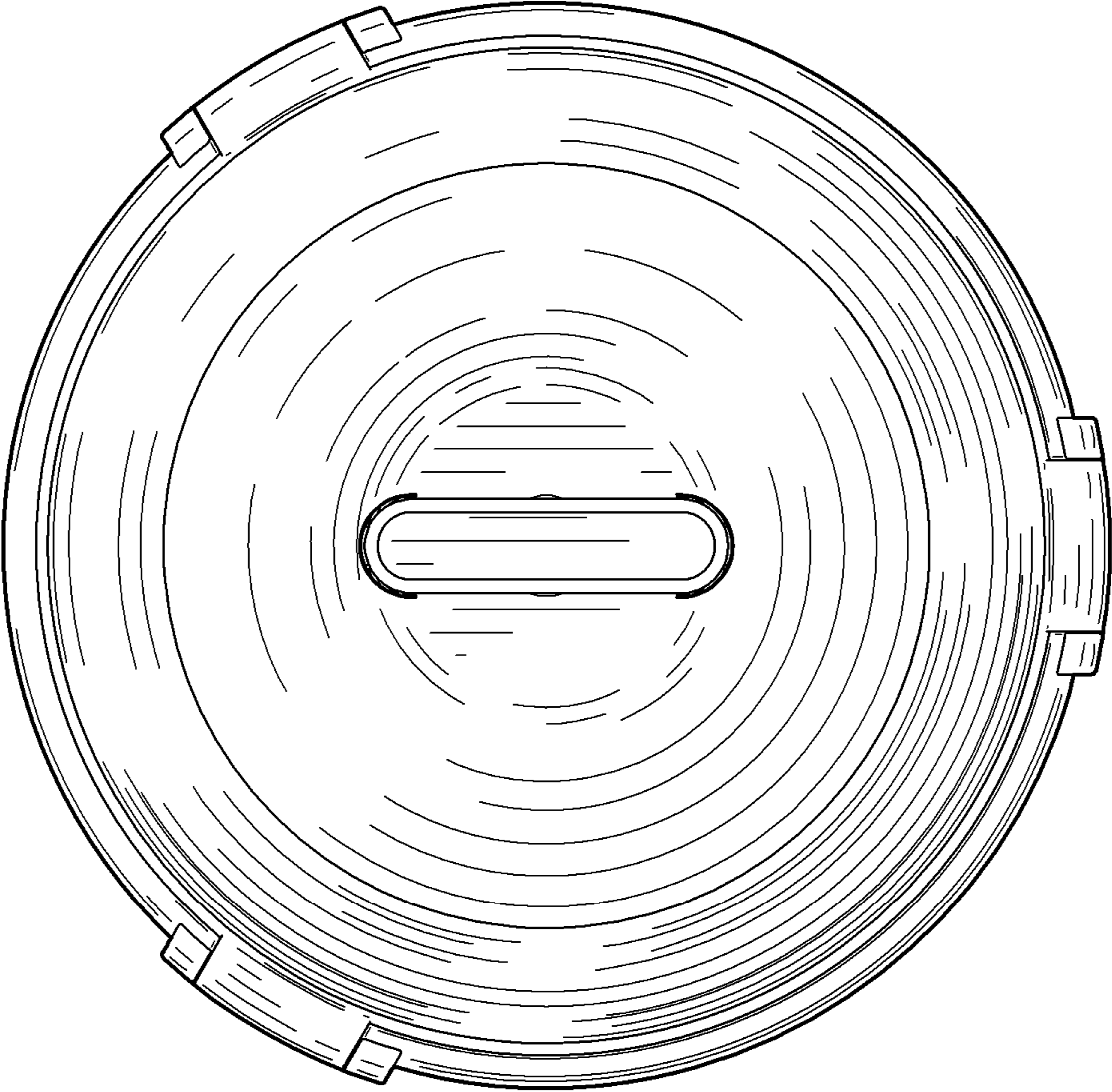


FIG. 3

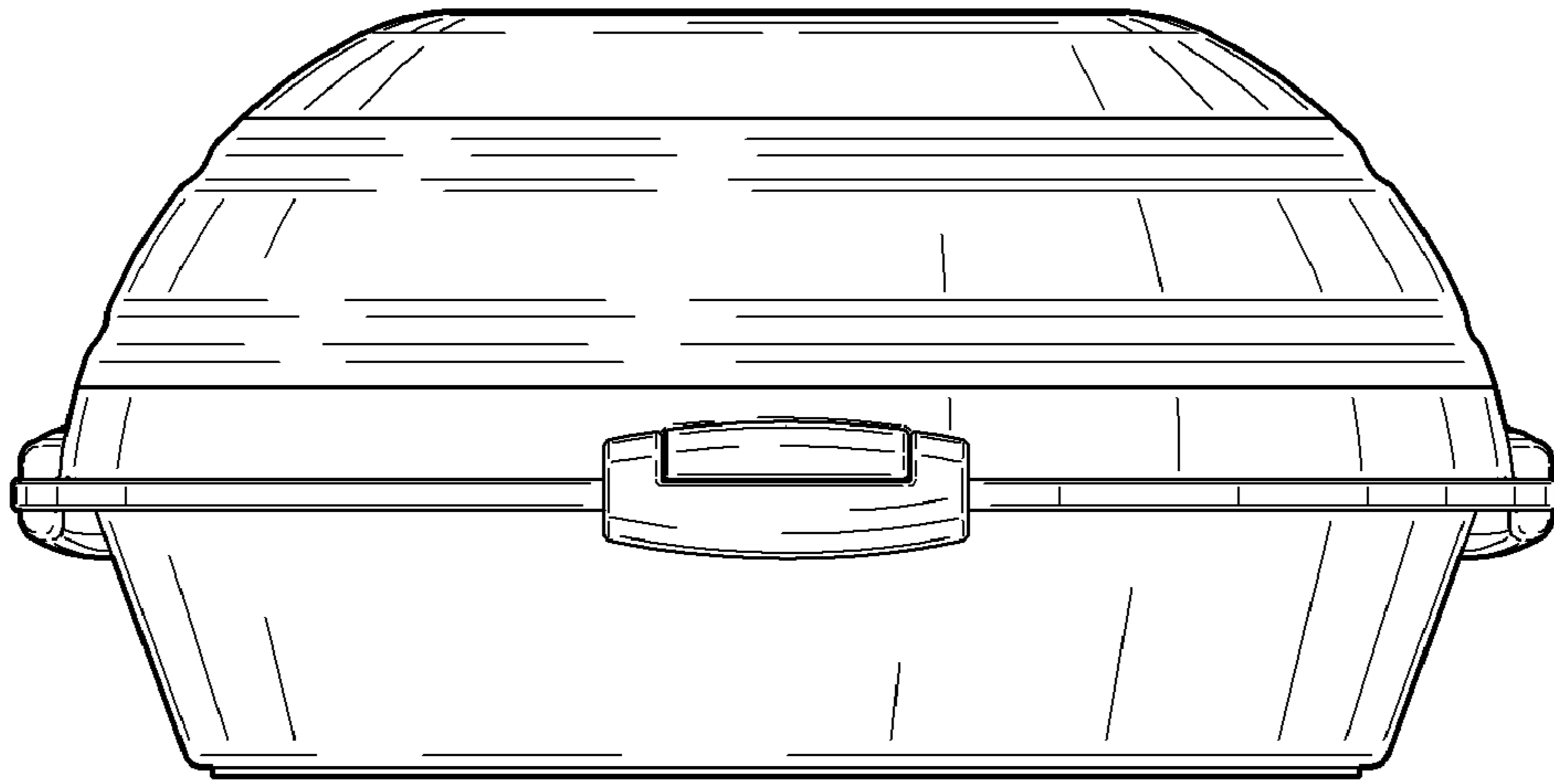


FIG. 4

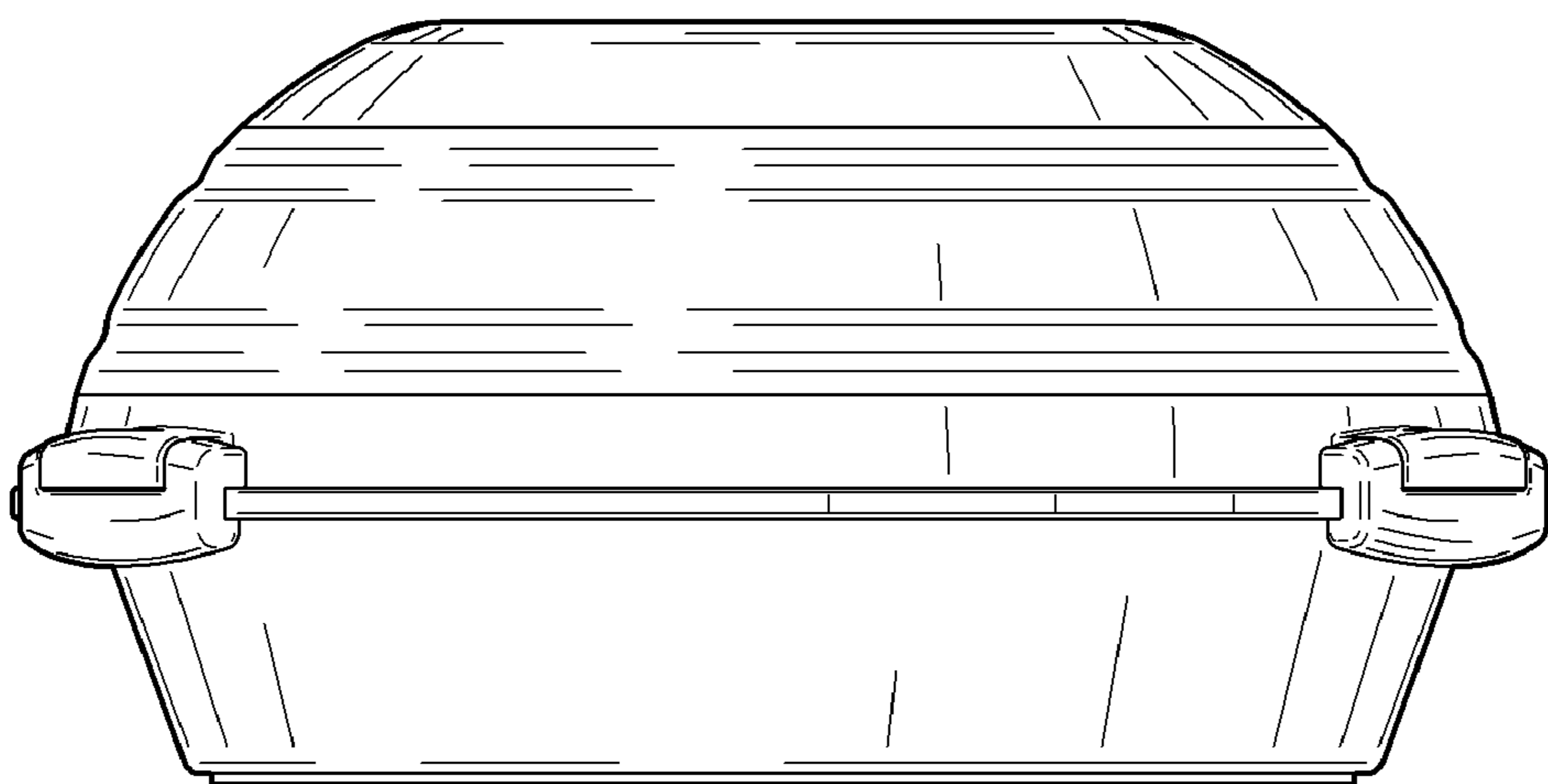


FIG. 5

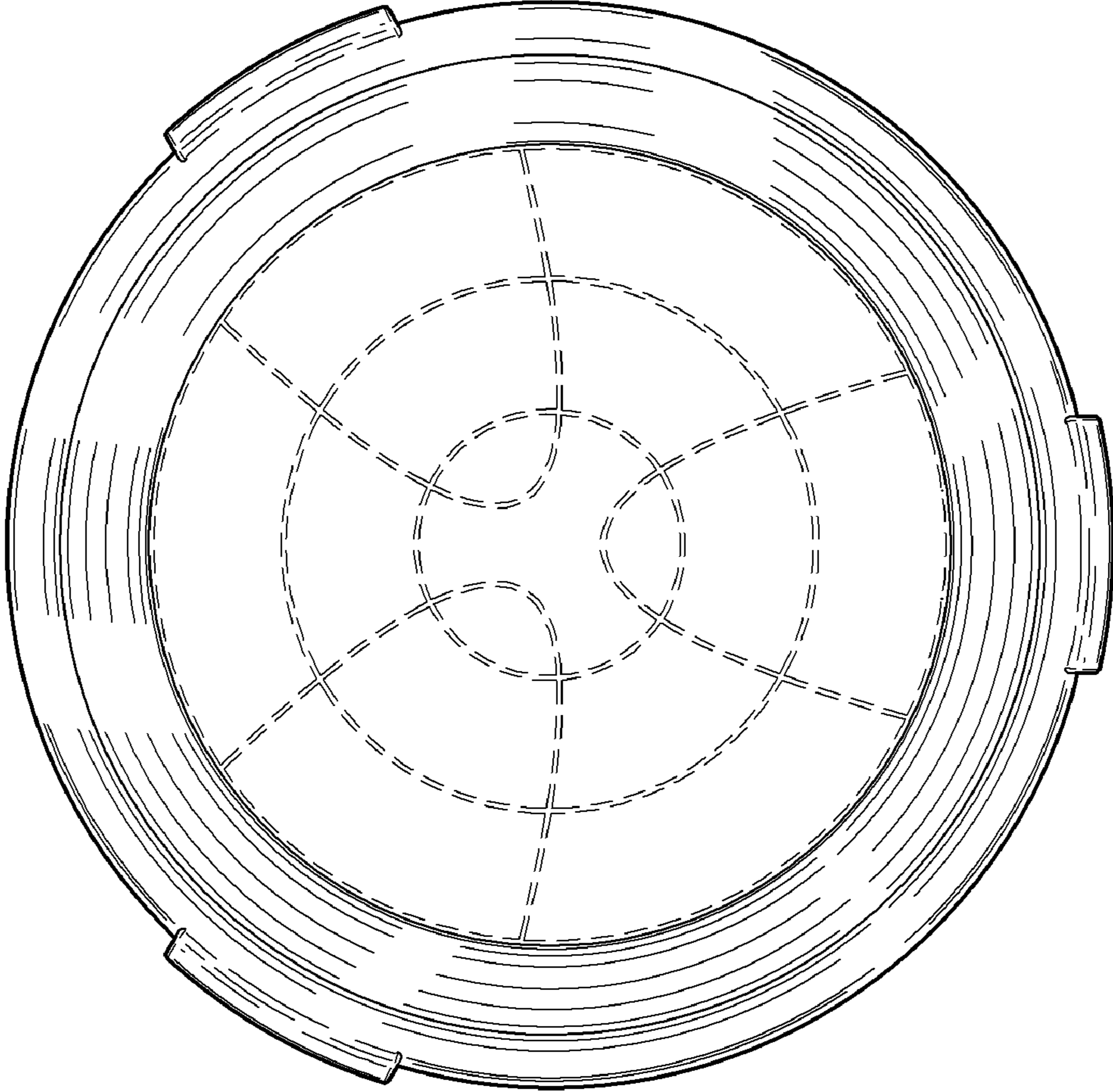


FIG.6