



US00D628020S

(12) **United States Design Patent**  
**Lim**

(10) **Patent No.:** **US D628,020 S**  
(45) **Date of Patent:** **\*\* Nov. 30, 2010**

(54) **FOOD STORAGE CONTAINER**

*Primary Examiner*—Terry A Wallace

(75) Inventor: **Hye Yean Lim**, Seoul (KR)

(57) **CLAIM**

(73) Assignee: **Lock & Lock Co., Ltd.**, Chungnam (KR)

The ornamental design for the food storage container, as shown and described.

(\*\*) Term: **14 Years**

**DESCRIPTION**

(21) Appl. No.: **29/350,276**

FIG. 1 is a perspective view of the food storage container according to a first embodiment;

(22) Filed: **Nov. 13, 2009**

FIG. 2 is a front elevational view thereof;

(30) **Foreign Application Priority Data**

FIG. 3 is a rear elevational view thereof;

Jun. 25, 2009 (KR) ..... 30-2009-0028014

FIG. 4 is a left side elevational view thereof;

(51) **LOC (9) Cl.** ..... **07-07**

FIG. 5 is a right side elevational view thereof;

(52) **U.S. Cl.** ..... **D7/629**

FIG. 6 is a top plan view thereof;

(58) **Field of Classification Search** ..... D7/612–615,  
D7/601, 602, 629, 630; D3/294; D34/40;  
D6/471, 457, 443; D9/424, 425, 420; 220/780–806,  
220/812, 345.4, 345.1, 254.9, 254.3, 212,  
220/351, 659, 815, 832

FIG. 7 is a bottom plan view thereof;

See application file for complete search history.

FIG. 8 is a reference view thereof which shows a state that a lid and a container are separated;

(56) **References Cited**

FIG. 9 is a perspective view of the food storage container according to a second embodiment;

**U.S. PATENT DOCUMENTS**

4,260,069	A *	4/1981	Juergens	.....	220/812
D283,861	S *	5/1986	Cantolino	.....	D6/471
D313,150	S *	12/1990	Hestehave et al.	.....	D7/612
D336,243	S *	6/1993	Evans	.....	D3/294
D378,636	S *	4/1997	Chrisco	.....	D6/443
5,673,811	A *	10/1997	Dickinson et al.	.....	220/812
D515,313	S *	2/2006	Uffner et al.	.....	D3/294

FIG. 10 is a front elevational view thereof;

FIG. 11 is a rear elevational view thereof;

FIG. 12 is a left side elevational view thereof;

FIG. 13 is a right side elevational view thereof;

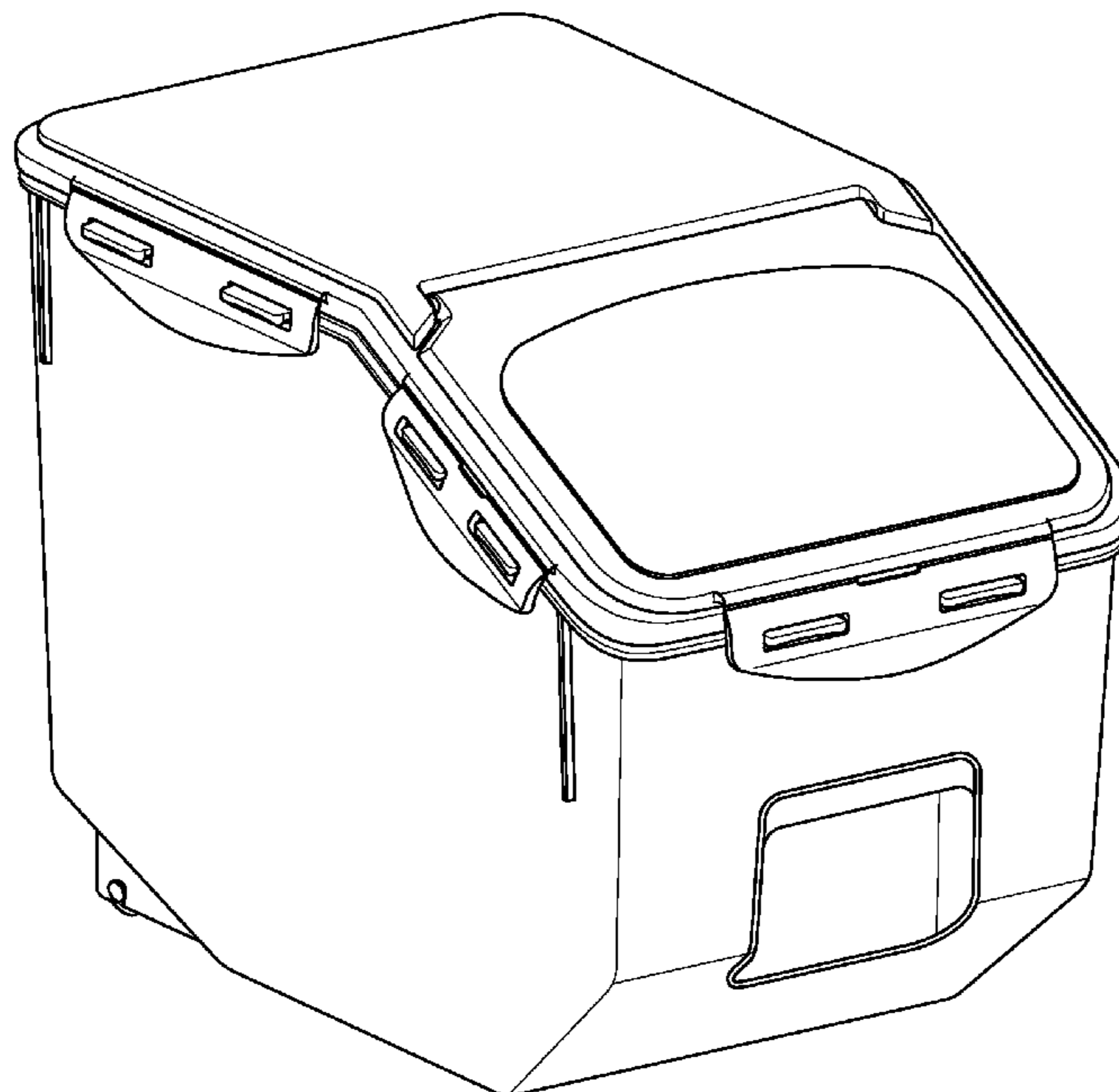
FIG. 14 is a top plan view thereof;

FIG. 15 is a bottom plan view thereof; and,

FIG. 16 is a reference view thereof which shows a state that a lid and a container are separated.

\* cited by examiner

**1 Claim, 16 Drawing Sheets**



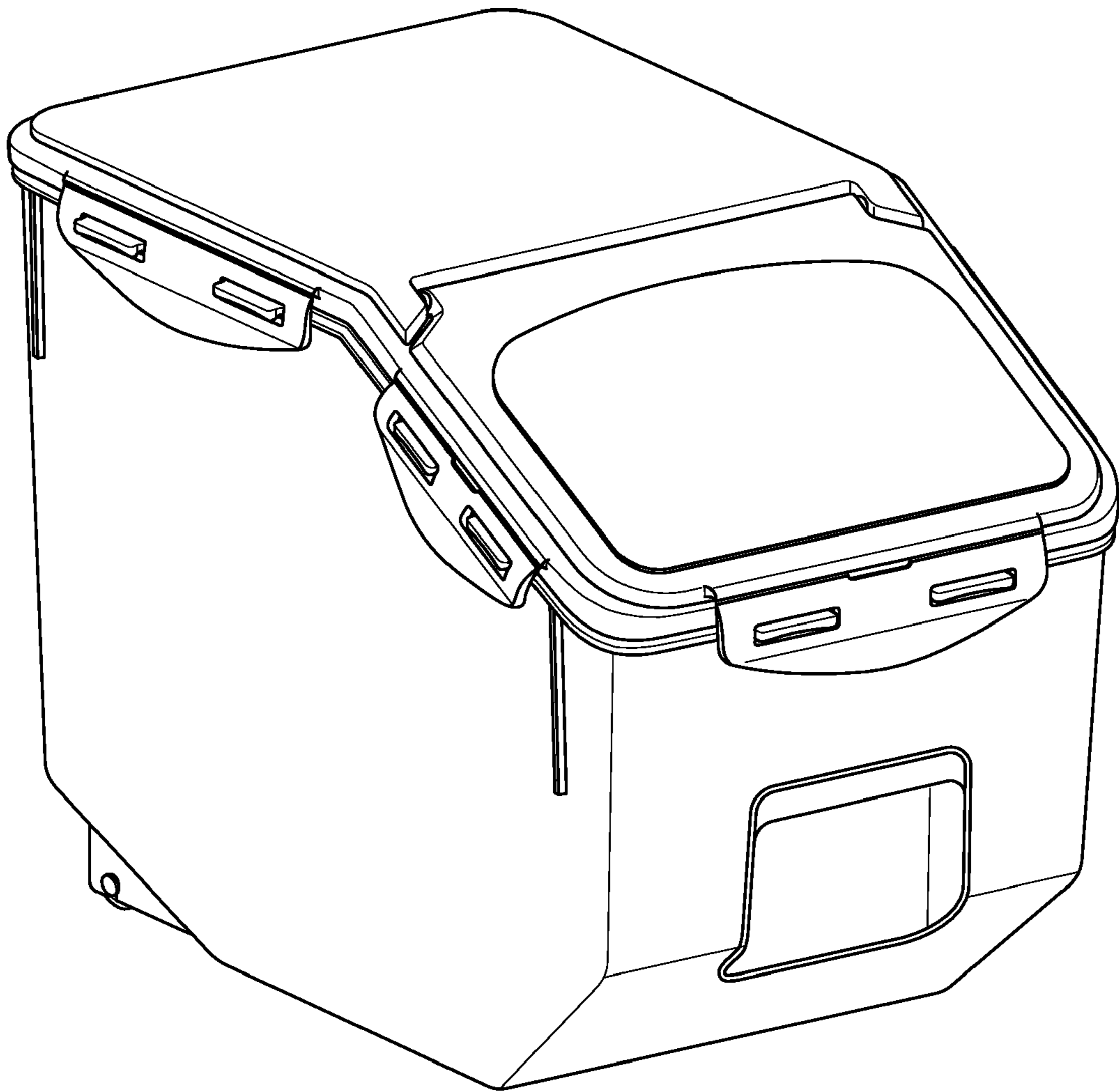


FIG. 1

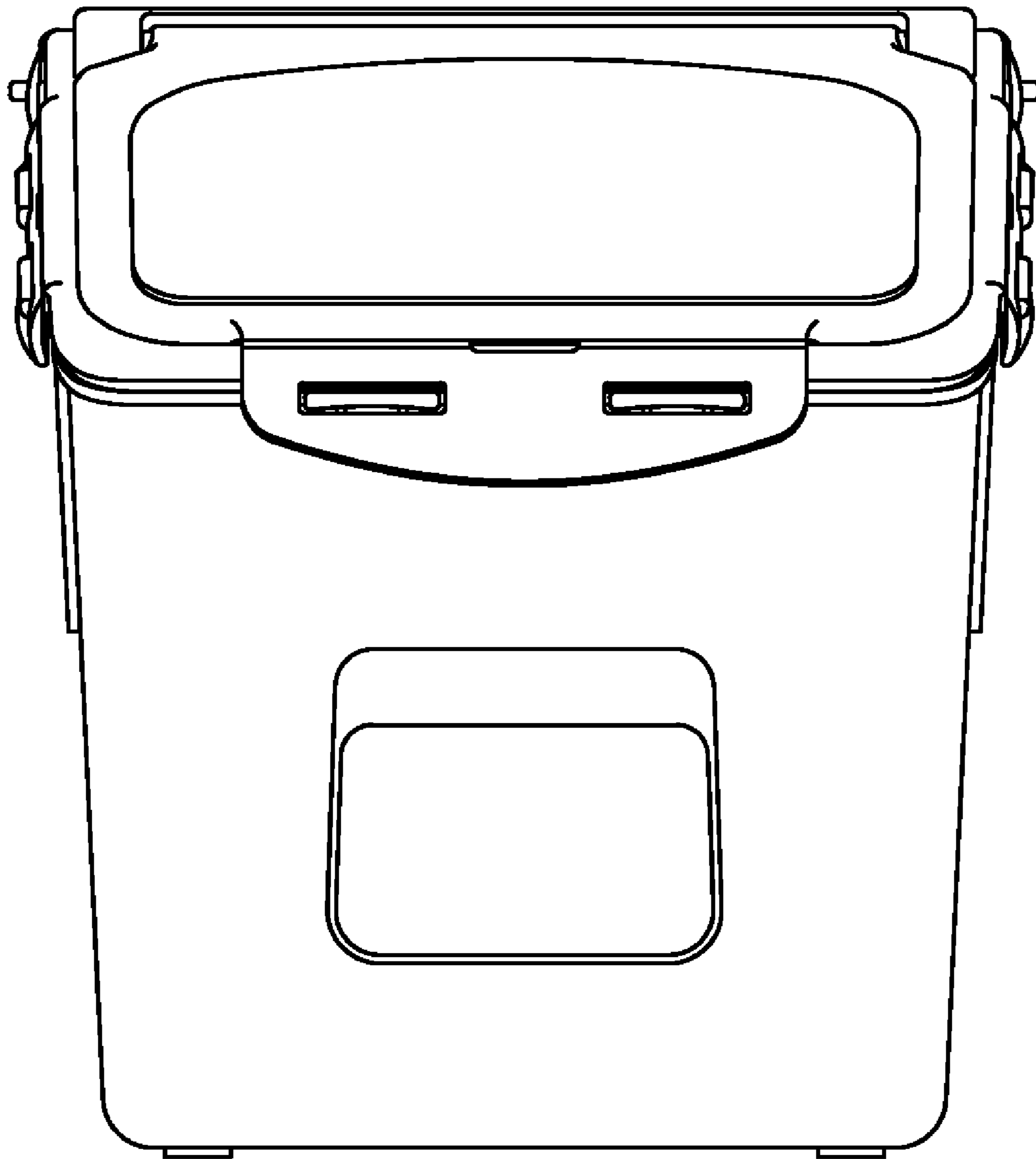


FIG. 2

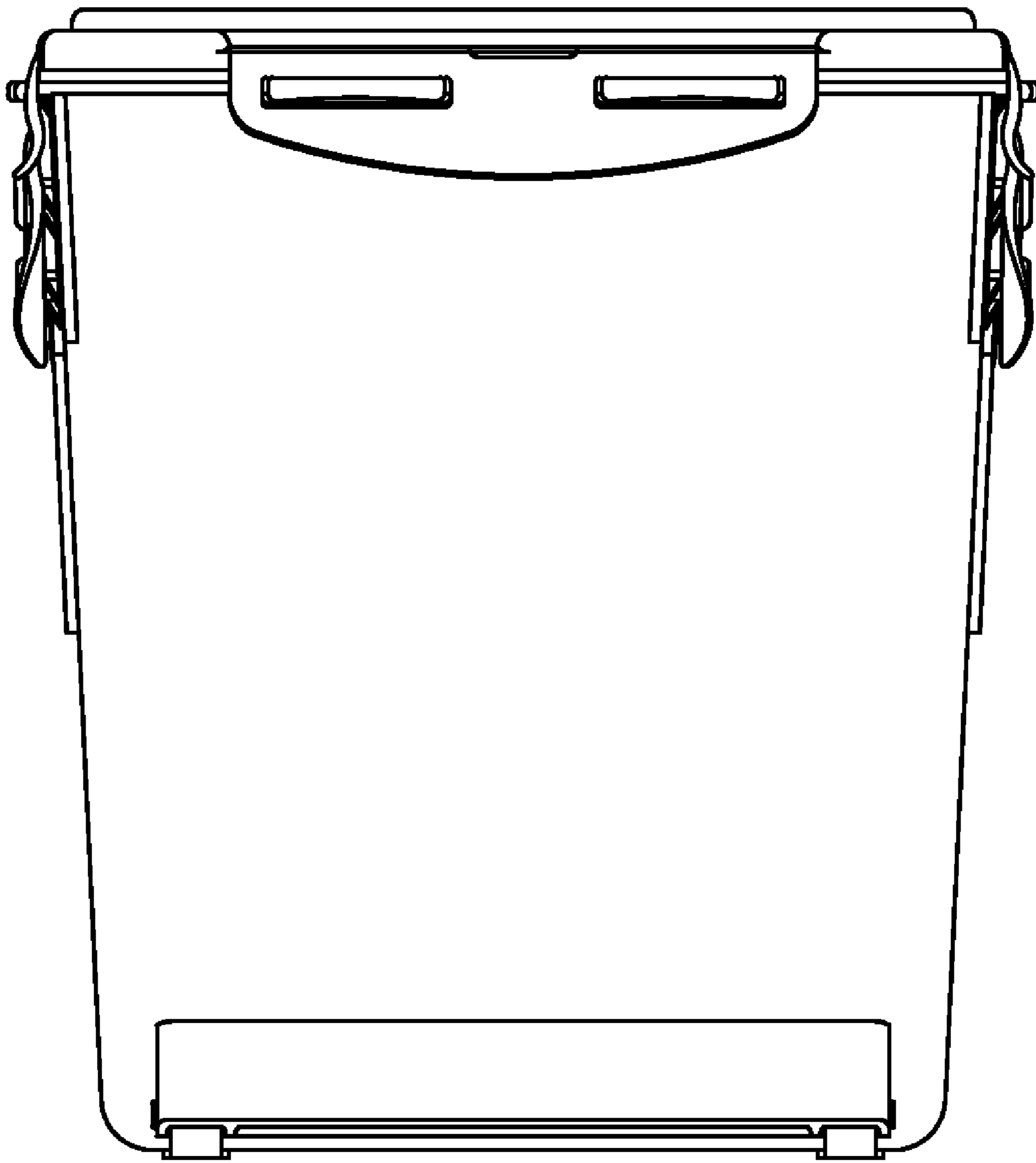


FIG. 3

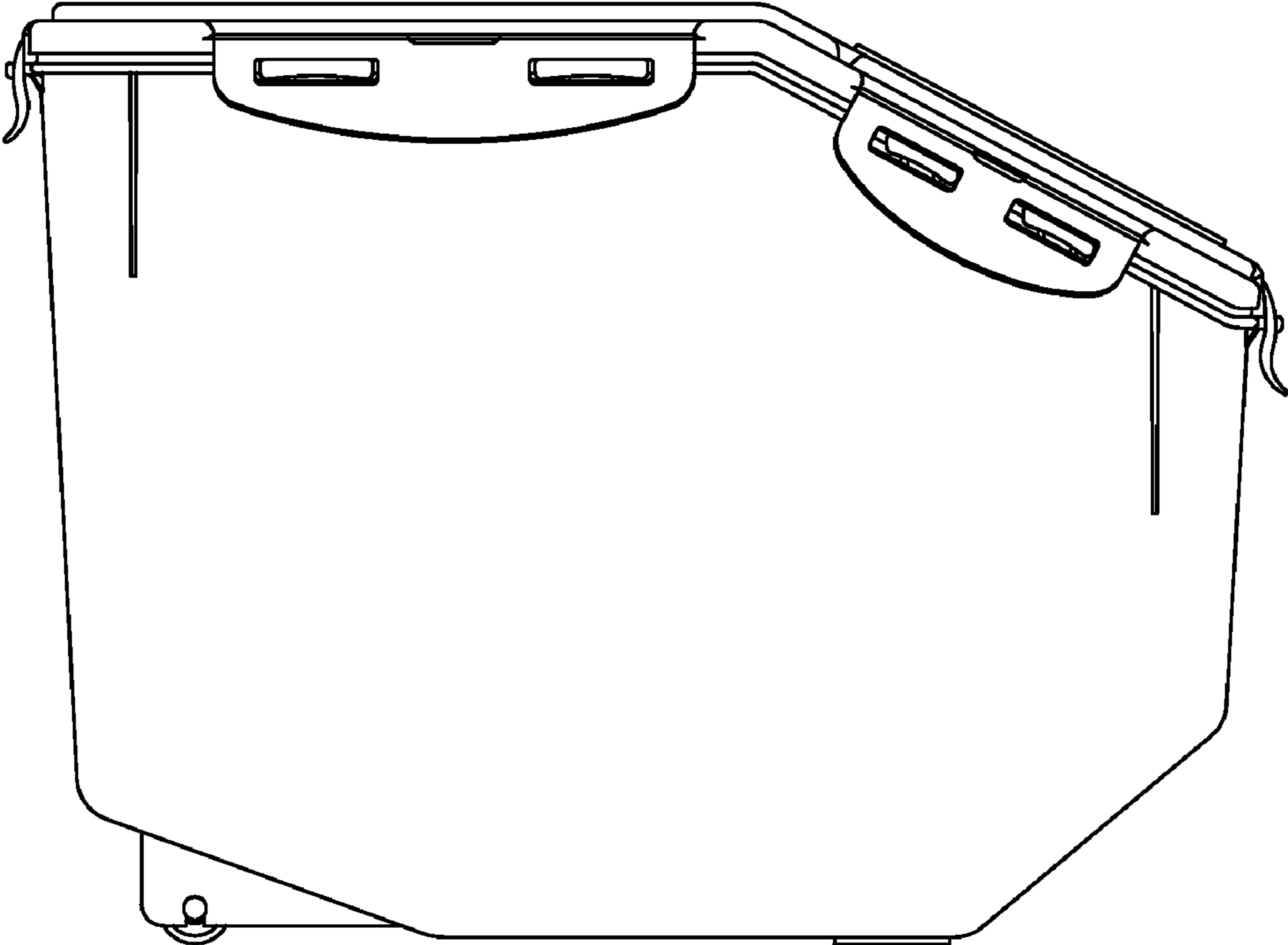


FIG. 4

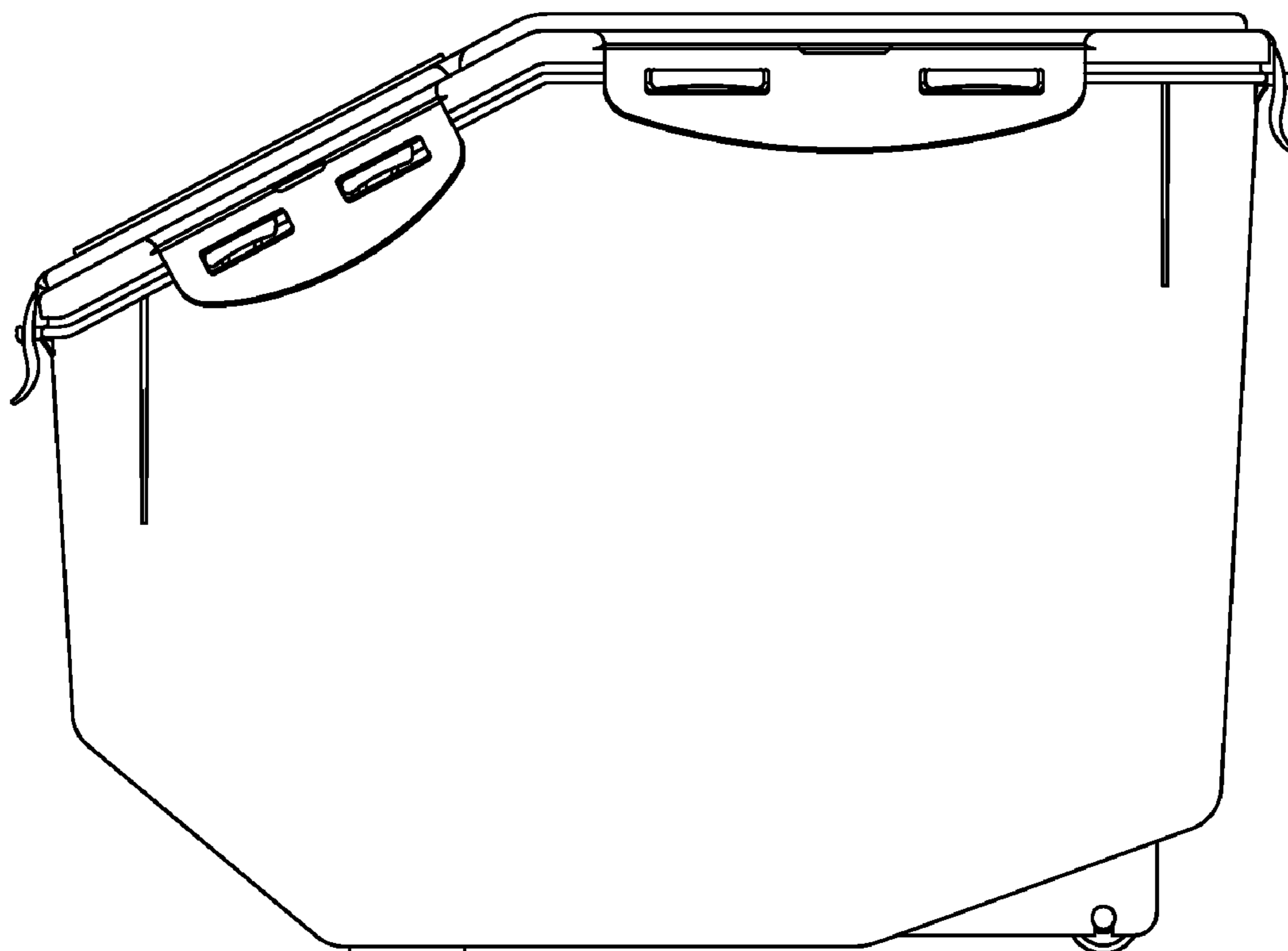


FIG. 5

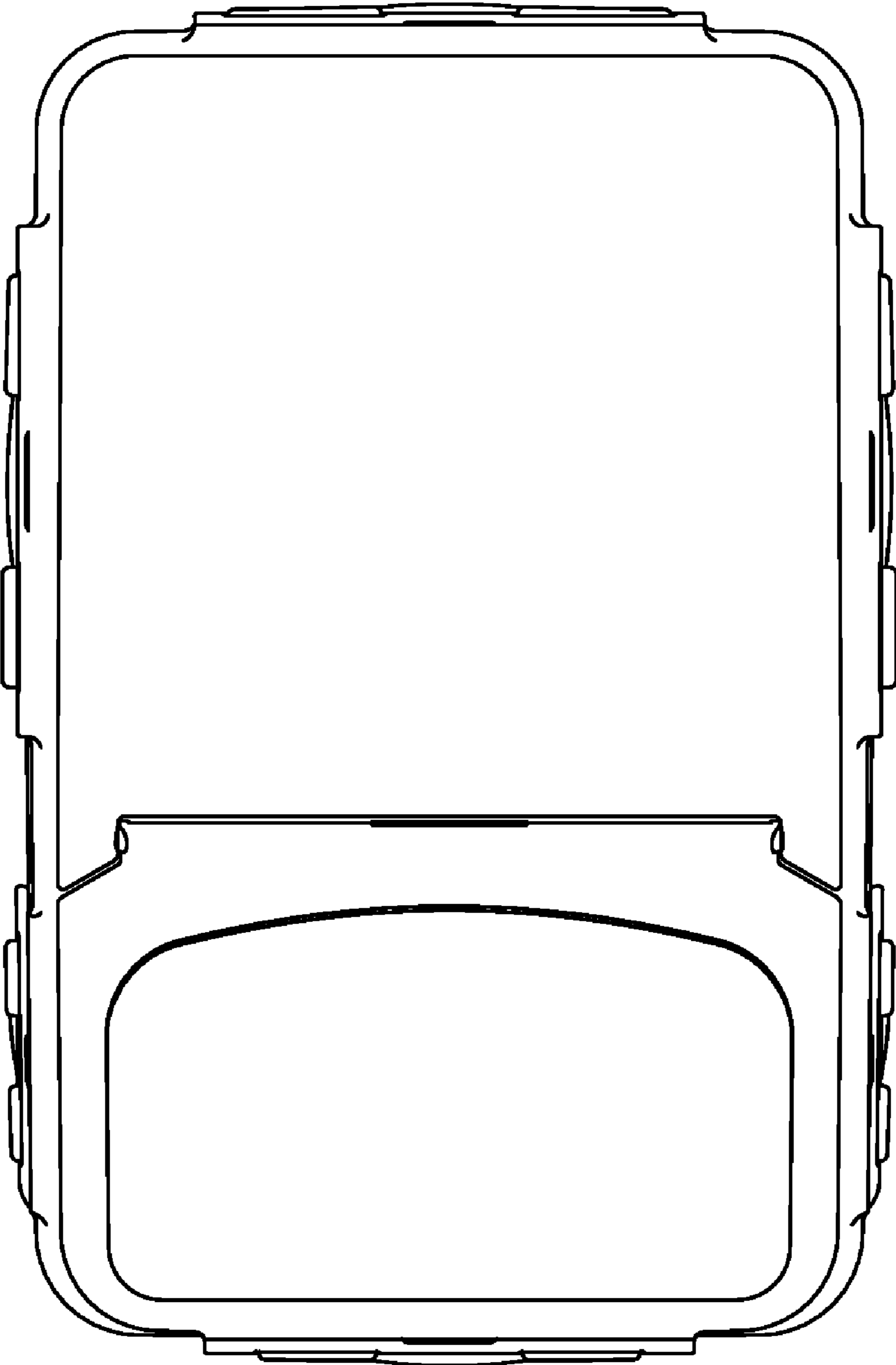


FIG. 6

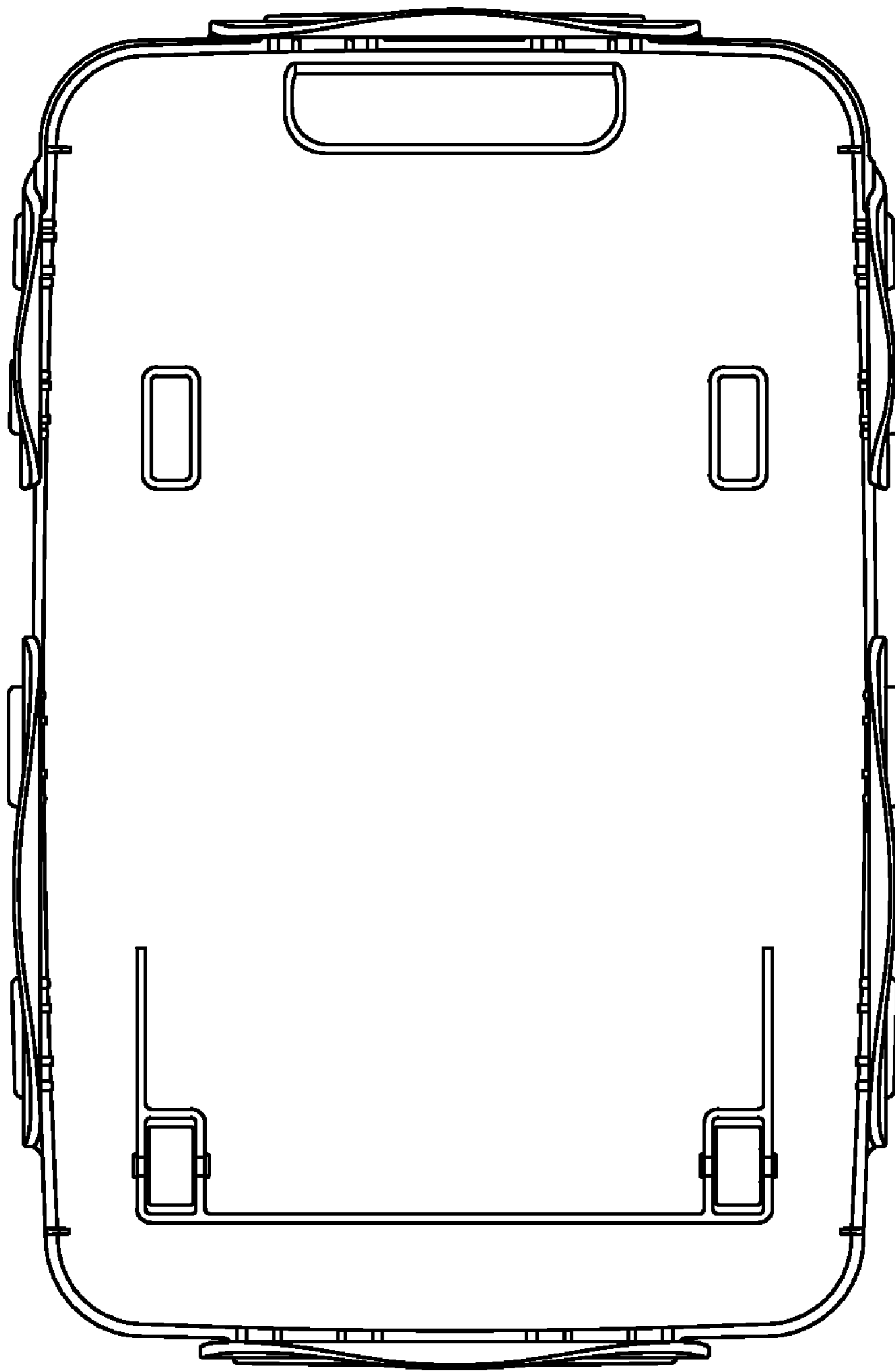


FIG. 7



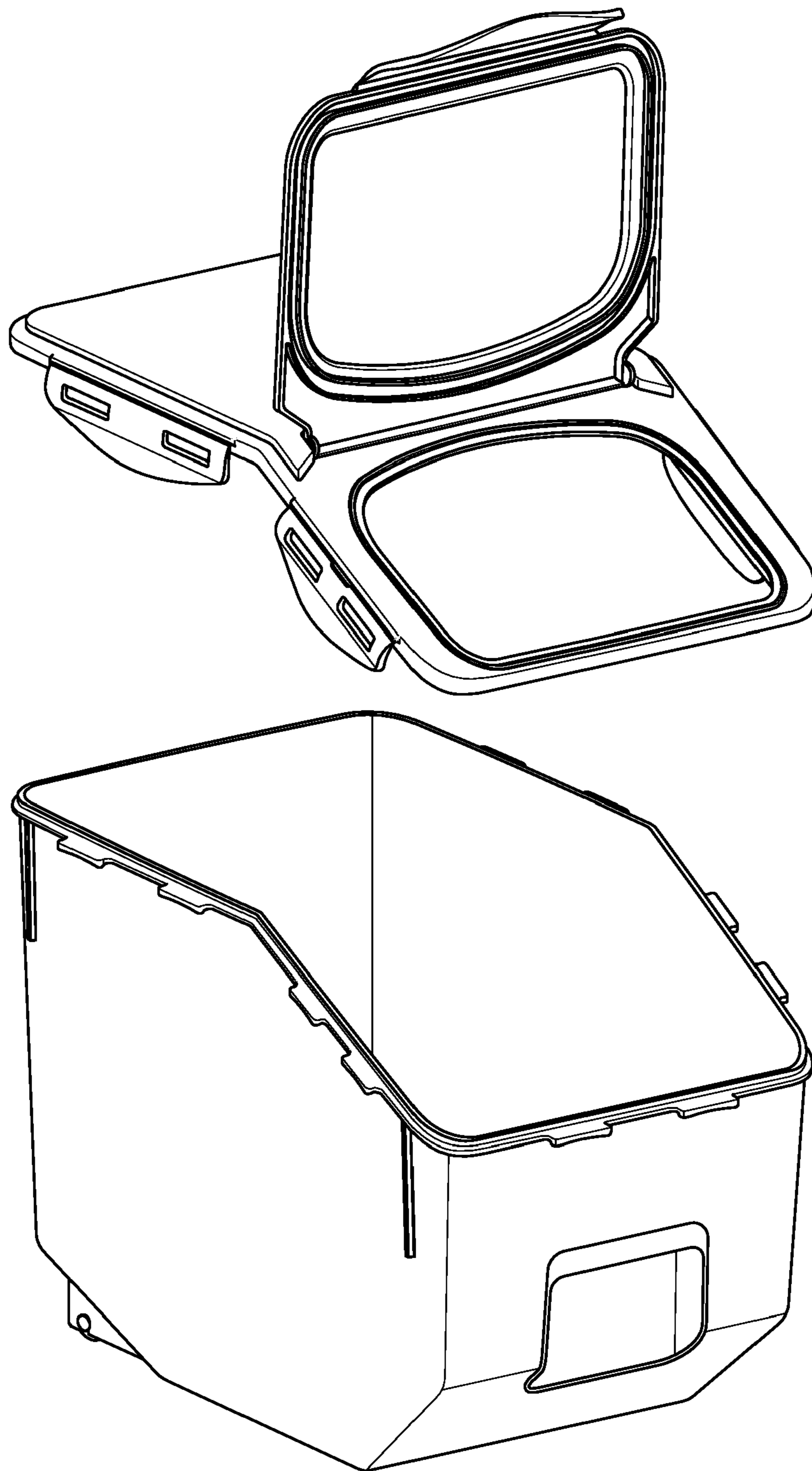
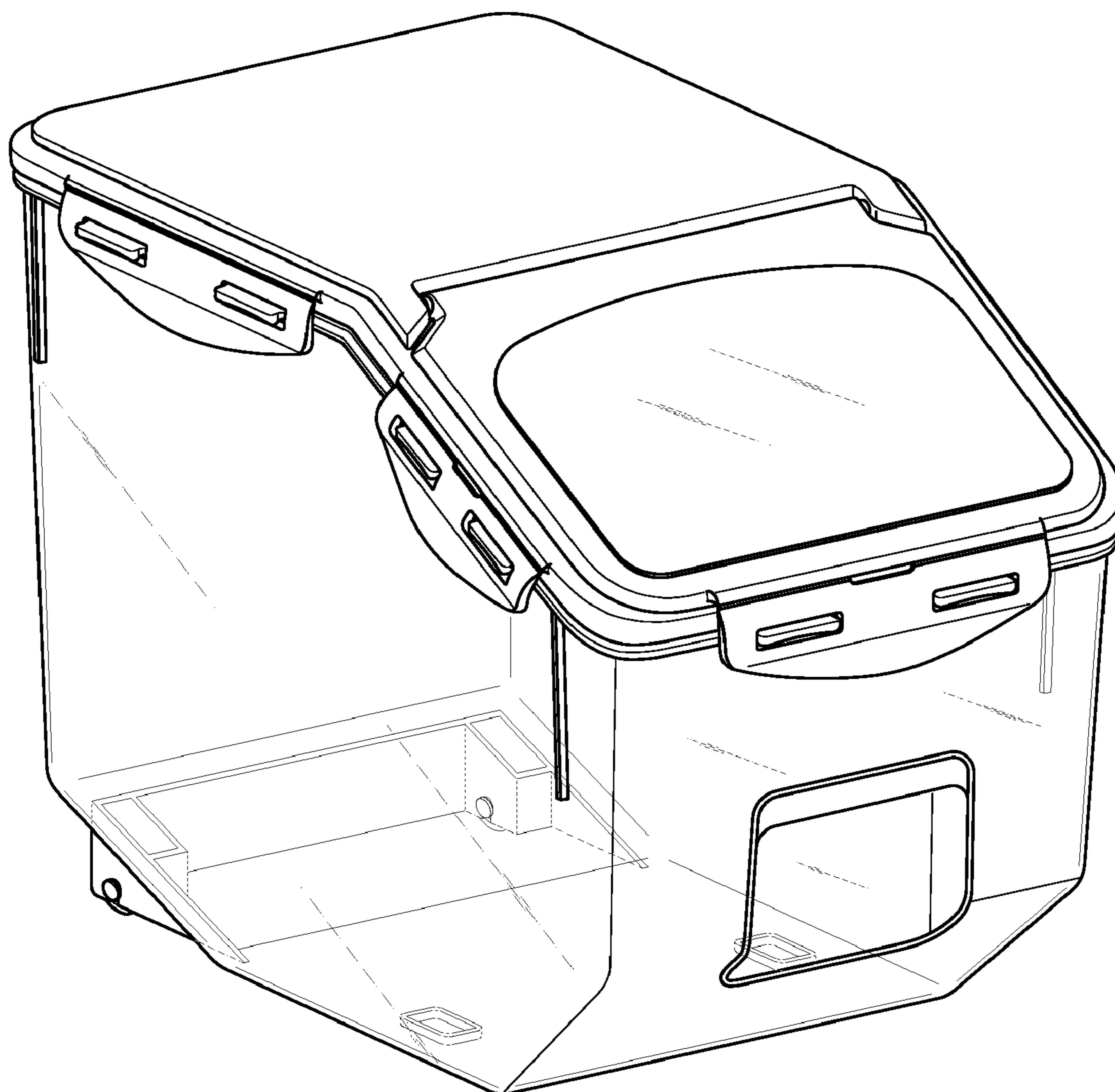
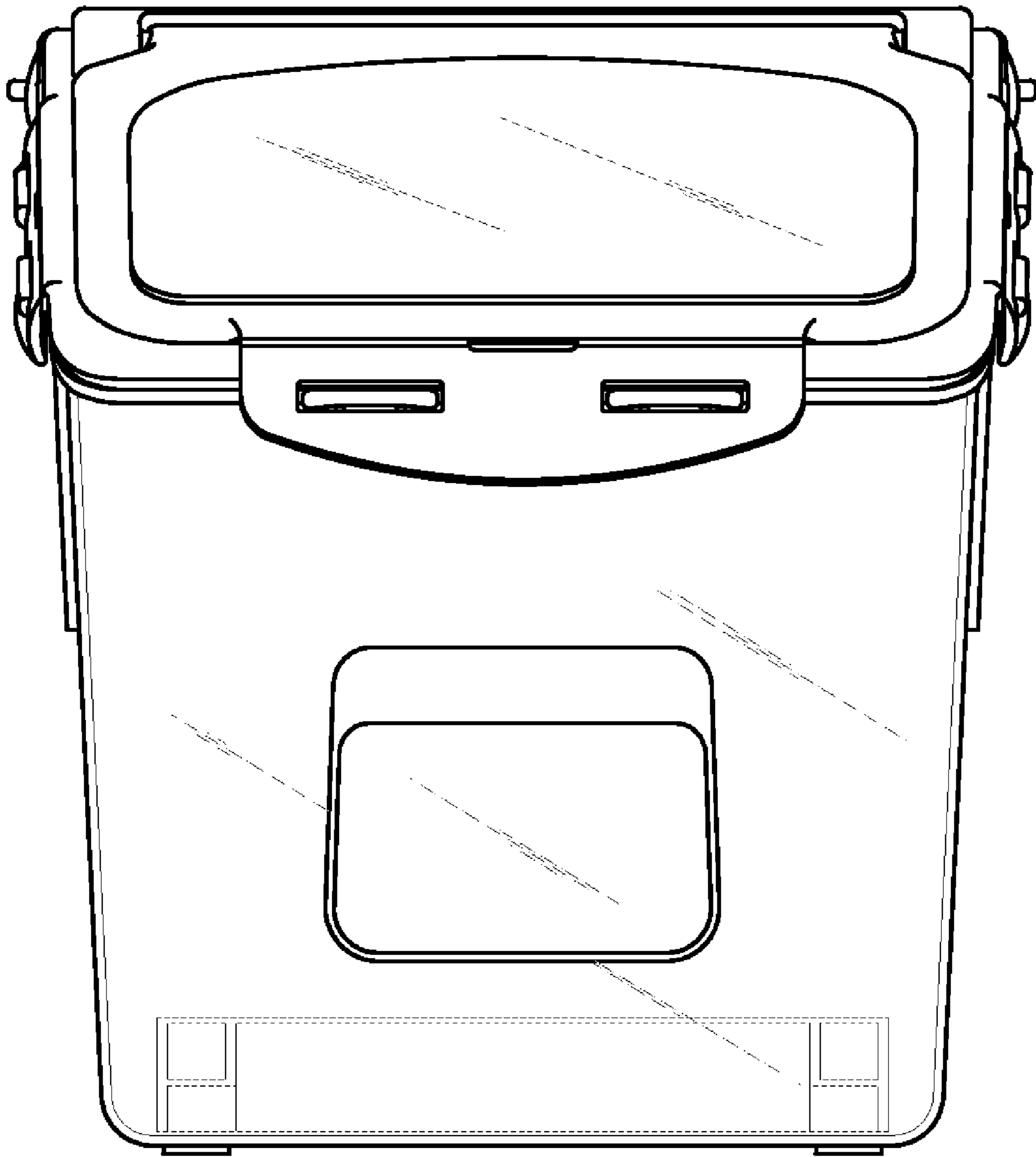


FIG. 8



**FIG. 9**



***FIG. 10***

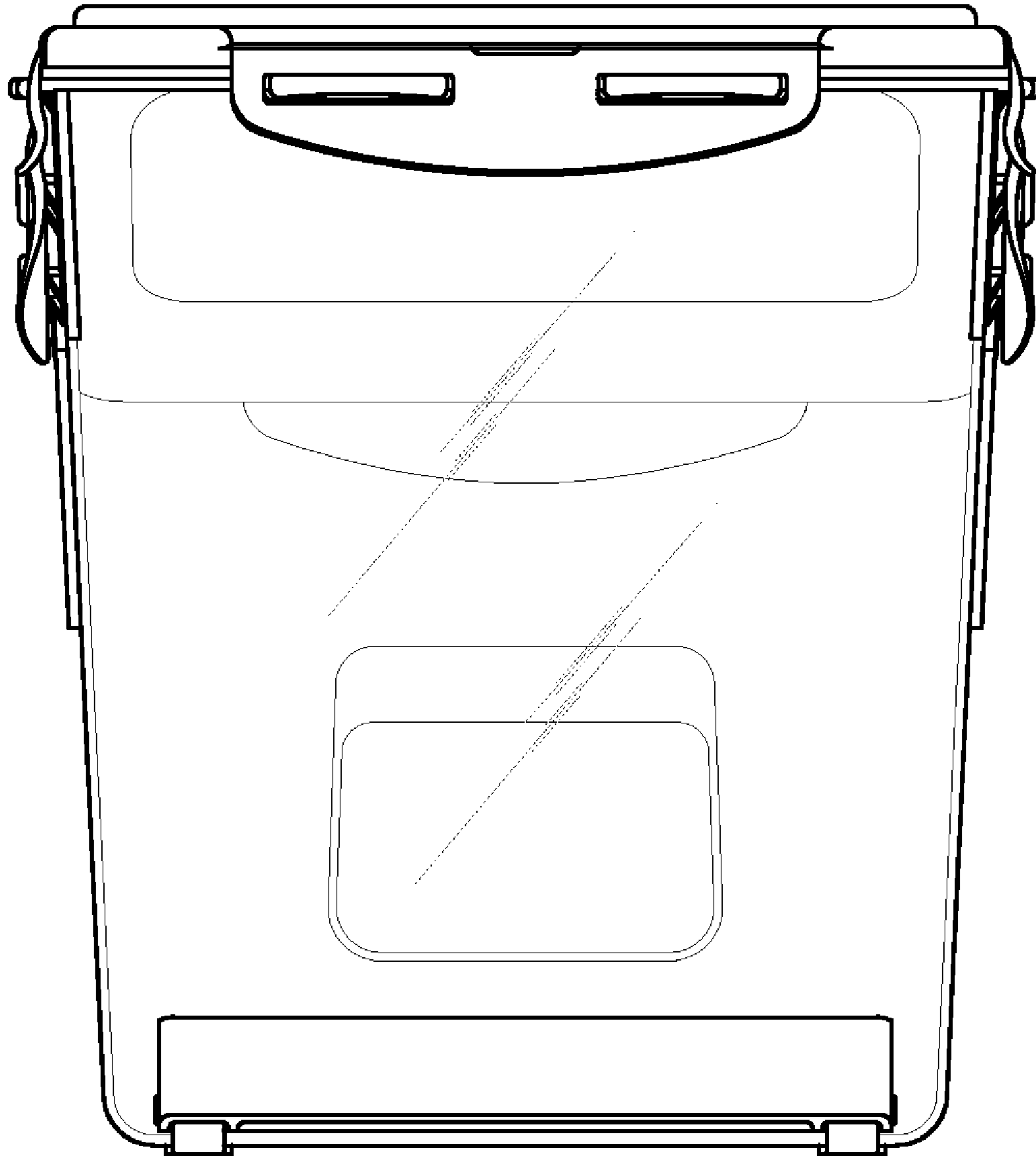
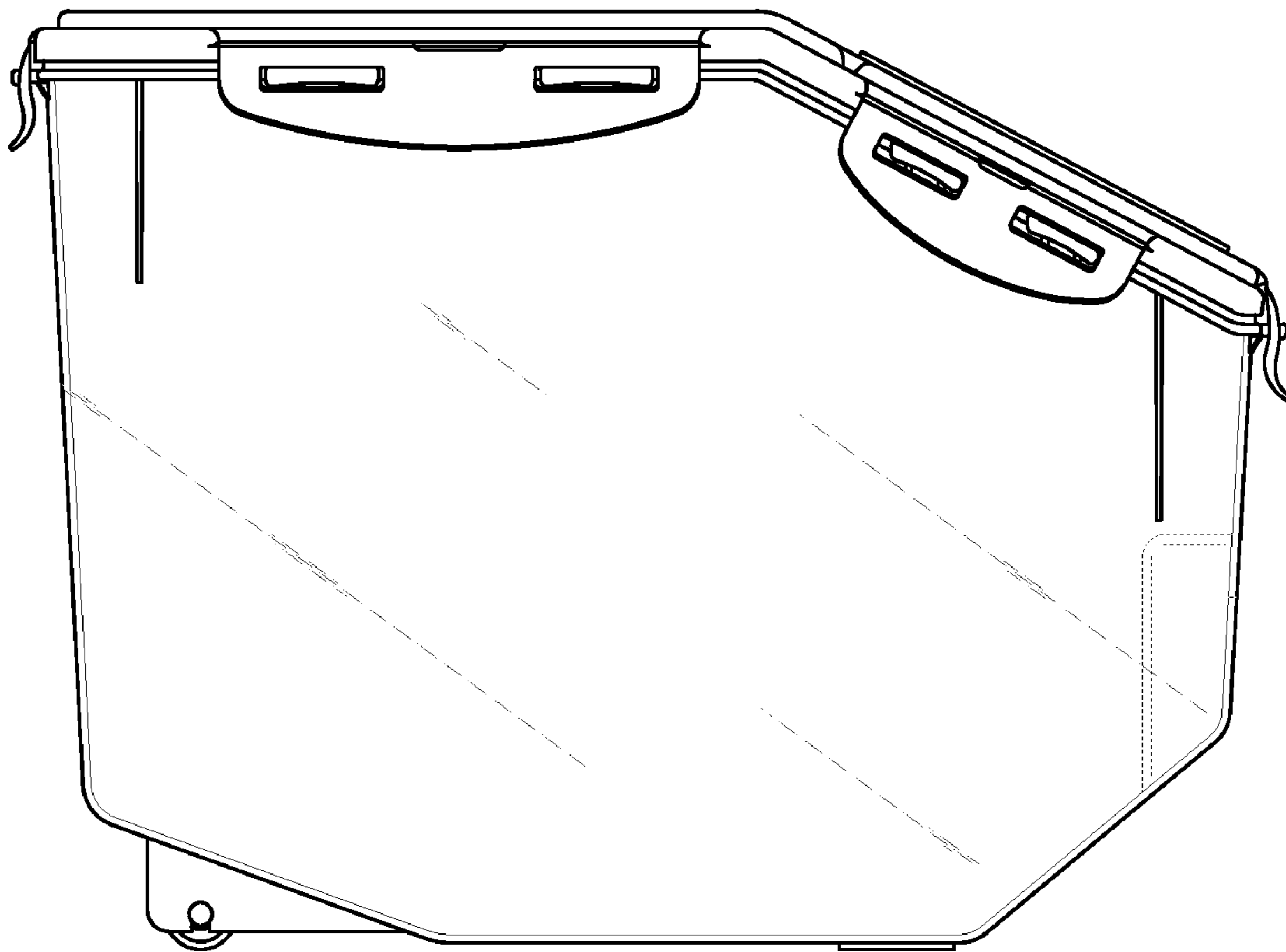
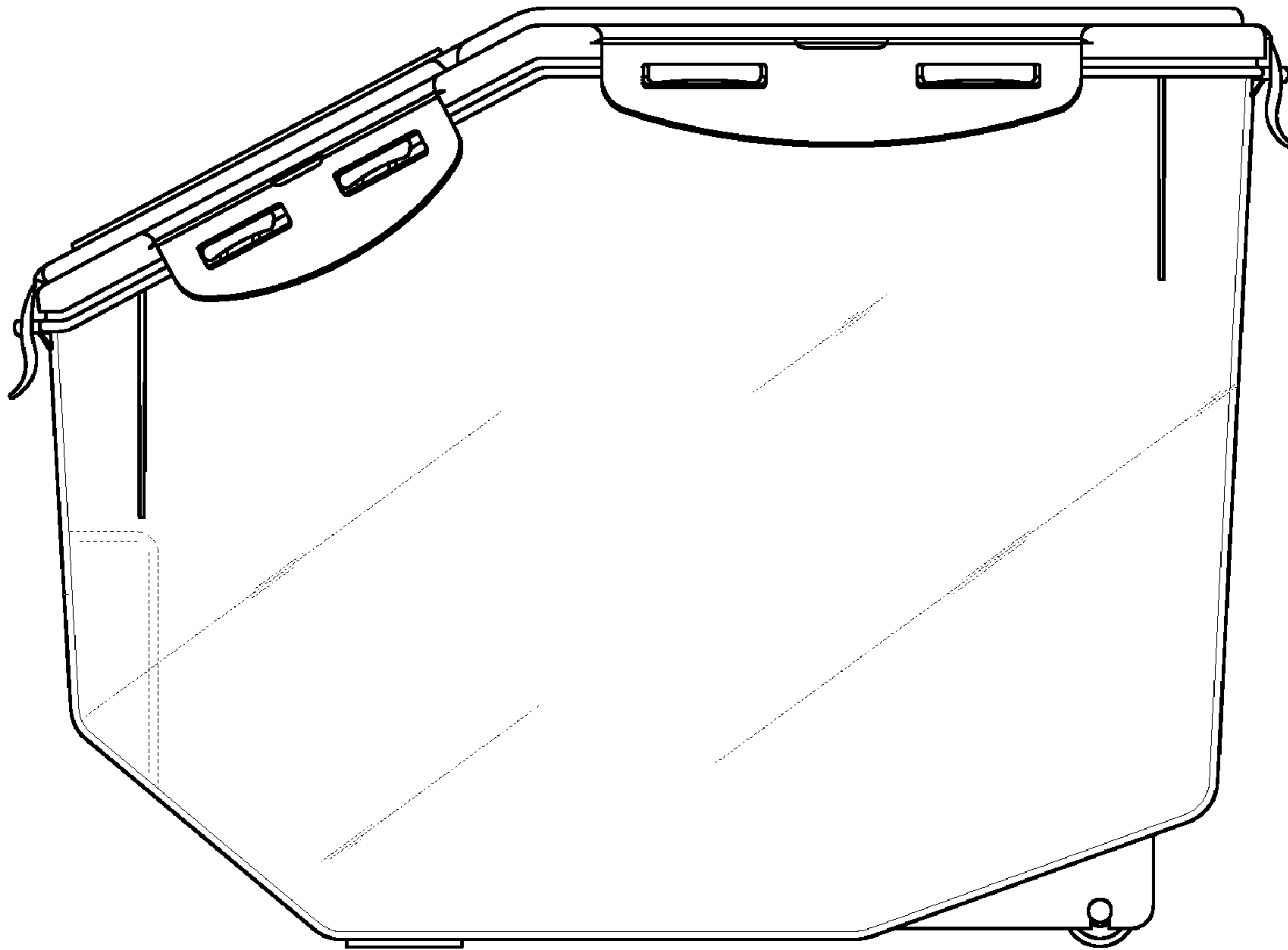


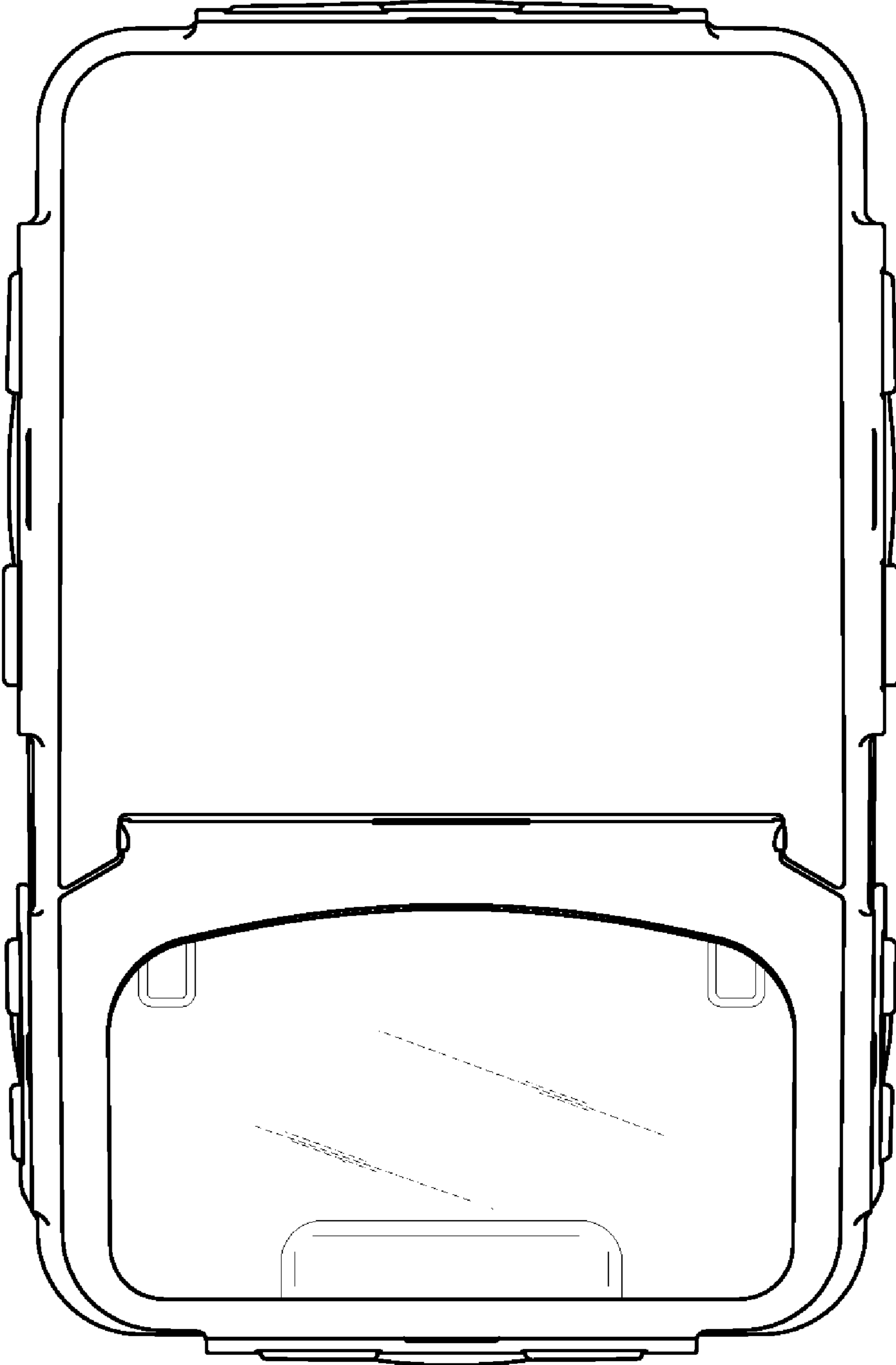
FIG. 11



*FIG. 12*



**FIG. 13**



**FIG. 14**

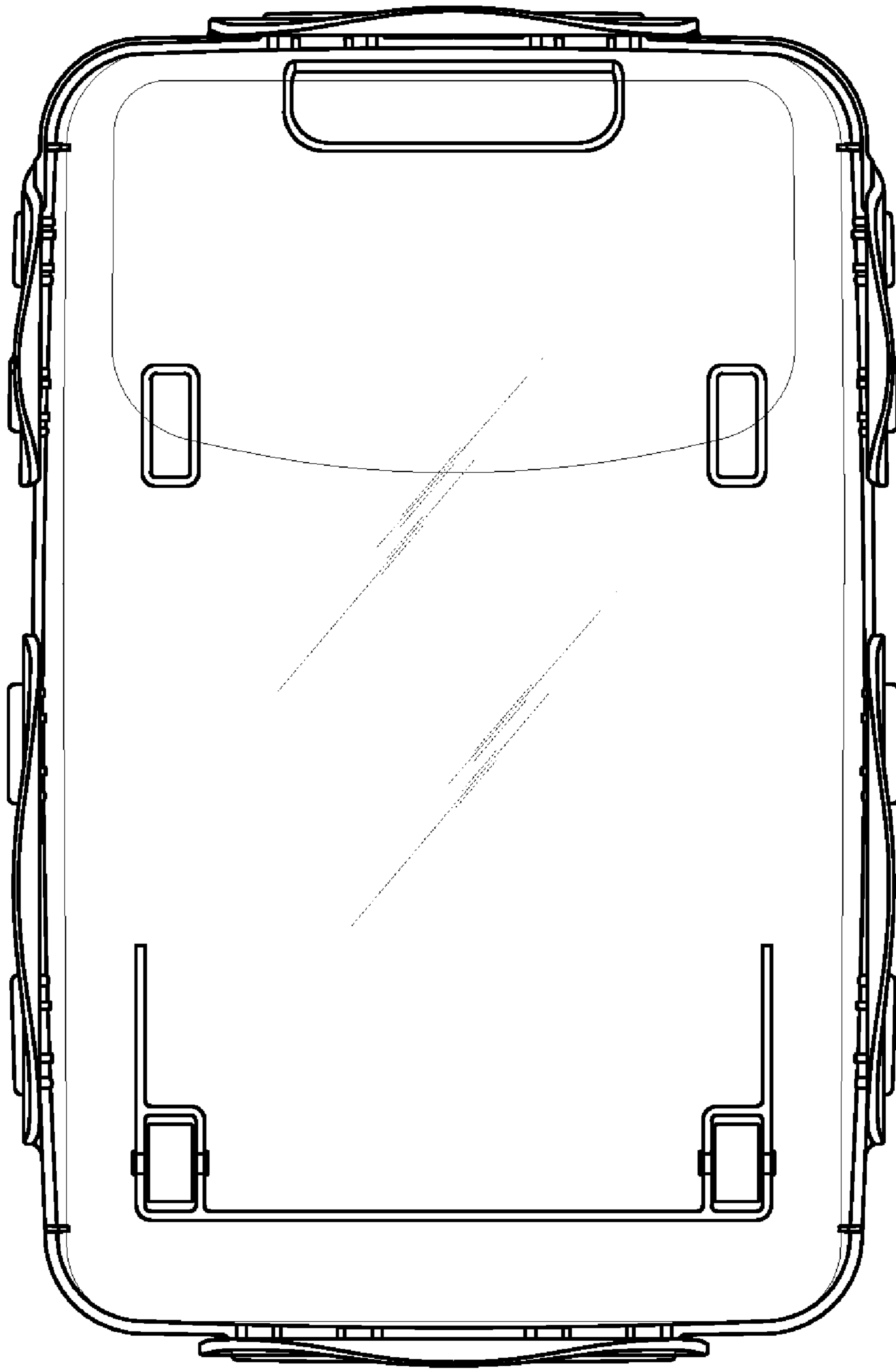
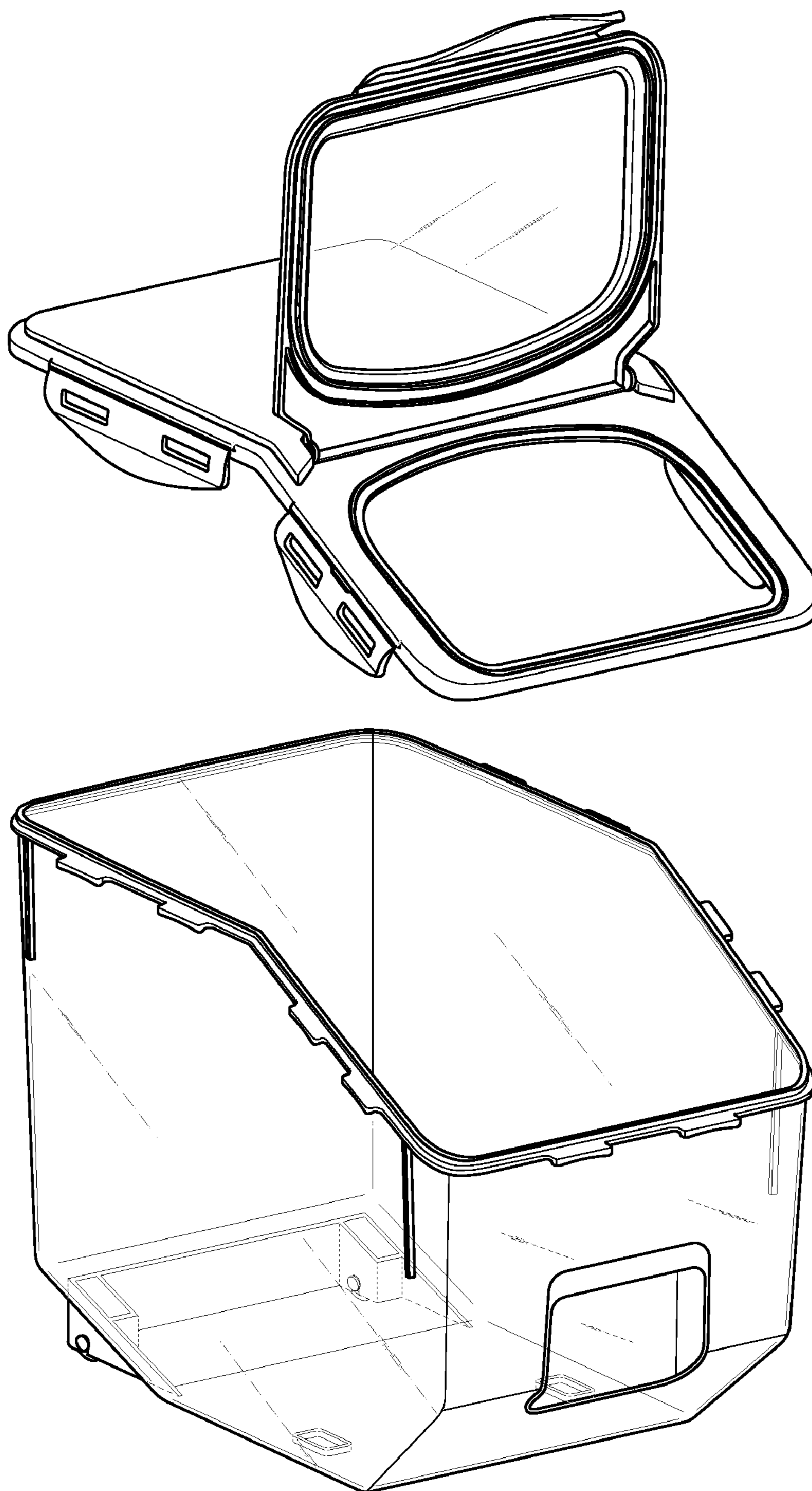


FIG. 15





**FIG. 16**