



US00D628017S

(12) **United States Design Patent**
Funnell et al.

(10) **Patent No.:** **US D628,017 S**
(45) **Date of Patent:** **** Nov. 30, 2010**

(54) **CULINARY GRATING**

(75) Inventors: **Richard W. Funnell**, Huntington Beach, CA (US); **Graham Sadtler**, Huntington Beach, CA (US)

(73) Assignee: **BSH Home Appliances Corporation**, Huntington Beach, CA (US)

(**) Term: **14 Years**

(21) Appl. No.: **29/363,711**

(22) Filed: **Jun. 14, 2010**

D378,262 S *	3/1997	Sparks	D7/408
D378,885 S *	4/1997	Sparks	D7/408
D389,374 S *	1/1998	Miller	D7/408
D401,112 S *	11/1998	Miller	D7/408
D460,320 S *	7/2002	Becker et al.	D7/408
D461,090 S *	8/2002	Rummel et al.	D7/346
D468,161 S *	1/2003	Goodwin	D7/408
D489,933 S *	5/2004	Rummel et al.	D7/346
6,886,552 B2 *	5/2005	Cadima	126/211
D524,601 S *	7/2006	Vetter	D7/408
D550,505 S *	9/2007	Pino et al.	D7/408
D551,501 S *	9/2007	Baldwin	D7/408
D554,945 S *	11/2007	Chung	D7/409
D564,838 S *	3/2008	Shin et al.	D7/408
D577,255 S *	9/2008	Baldwin et al.	D7/408
D602,738 S *	10/2009	Bengtson et al.	D7/408

Related U.S. Application Data

(62) Division of application No. 29/339,333, filed on Jun. 29, 2009.

(51) **LOC (9) Cl.** **07-02**

(52) **U.S. Cl.** **D7/408**

(58) **Field of Classification Search** D7/339-341, D7/346, 354-361, 388, 402, 408-409; D23/346-347, D23/397; 99/385, 402, 403, 427, 449-450, 99/421 A, 421 H, 421 R; 126/211, 275 R; 220/491, 912

See application file for complete search history.

(56) **References Cited**

U.S. PATENT DOCUMENTS

D64,935 S *	6/1924	Bliel	D7/408
D68,133 S *	9/1925	Barone	D7/408
D209,436 S *	11/1967	Peckham	D7/408
D303,609 S *	9/1989	Binzer	D7/408
D353,300 S *	12/1994	Edman et al.	D7/408
D367,802 S *	3/1996	Lewis et al.	D7/408
D369,061 S *	4/1996	Holbrook, Jr.	D7/408
D369,062 S *	4/1996	Holbrook, Jr.	D7/408
D371,277 S *	7/1996	Pink	D7/408

* cited by examiner

Primary Examiner—T. Chase Nelson

Assistant Examiner—Mark Cavanna

(74) *Attorney, Agent, or Firm*—James E. Howard; Andre Pallapies

(57) **CLAIM**

The ornamental design for culinary grating, as shown.

DESCRIPTION

FIG. 1 is a top view of culinary grating showing our new design;

FIG. 2 is a bottom view thereof;

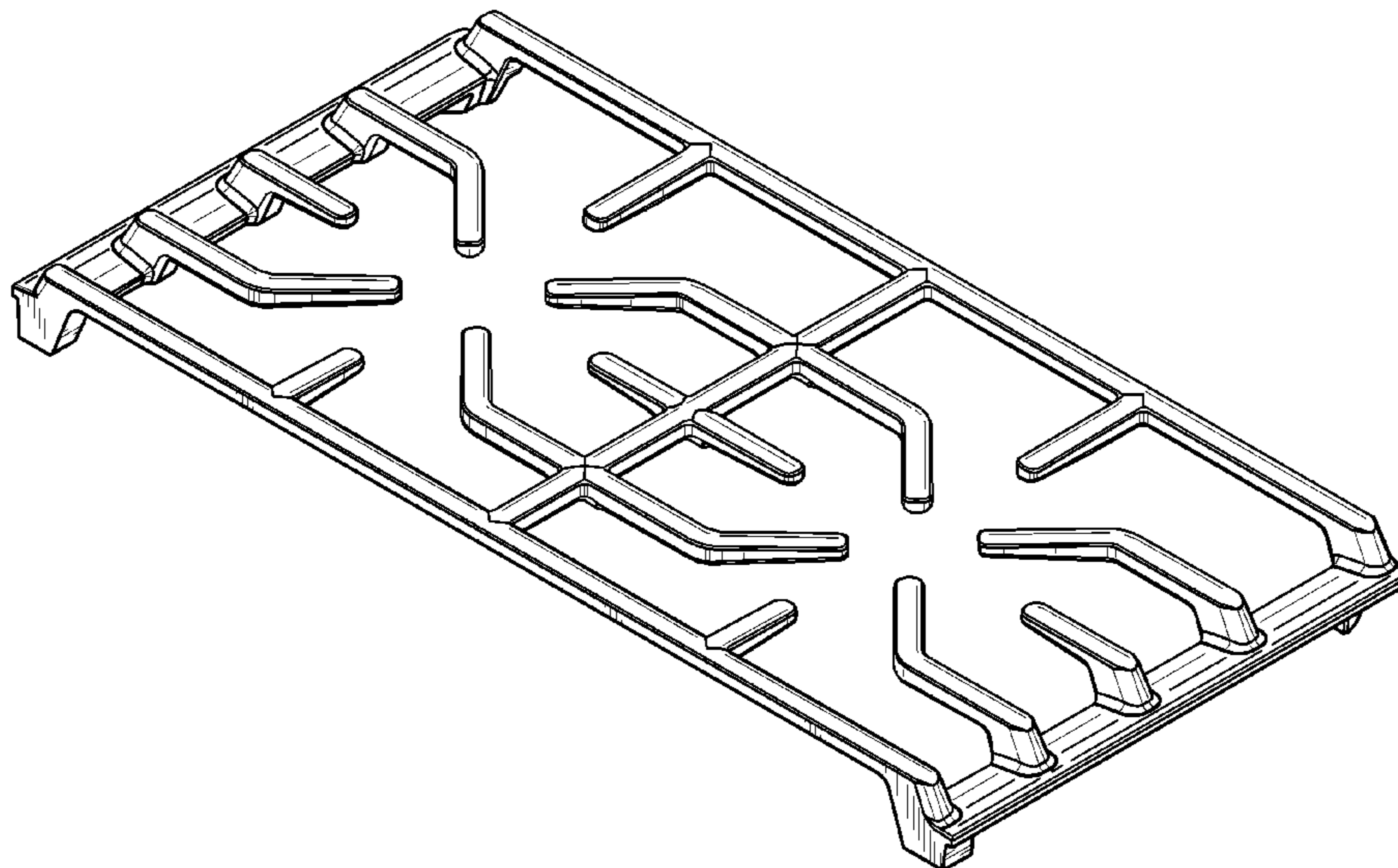
FIG. 3 is a rear view thereof with the front view being a mirror image thereof;

FIG. 4 is a right side view thereof;

FIG. 5 is a left side view thereof; and,

FIG. 6 is a reduced in scale perspective view thereof.

1 Claim, 4 Drawing Sheets



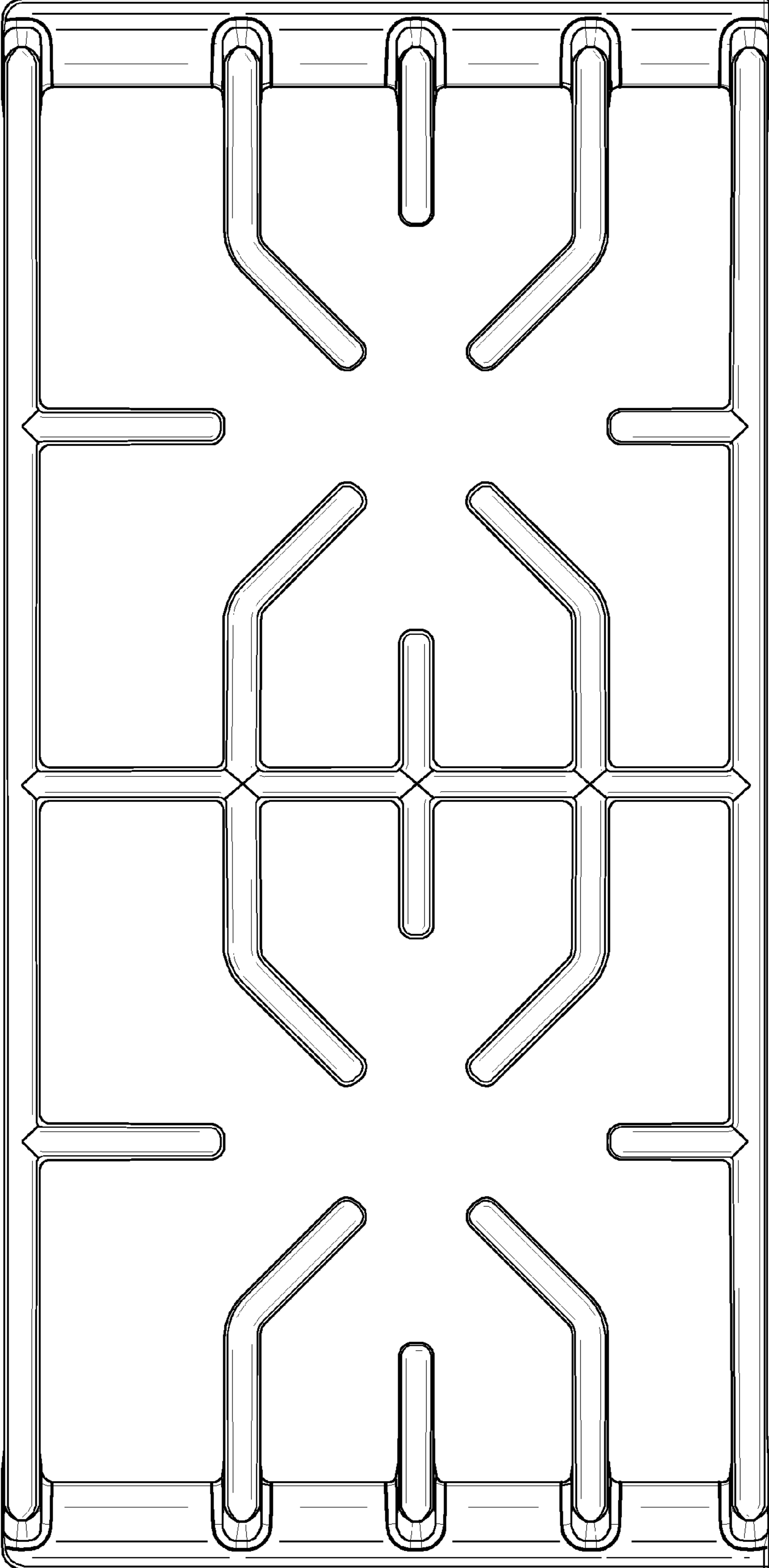


FIG. 1

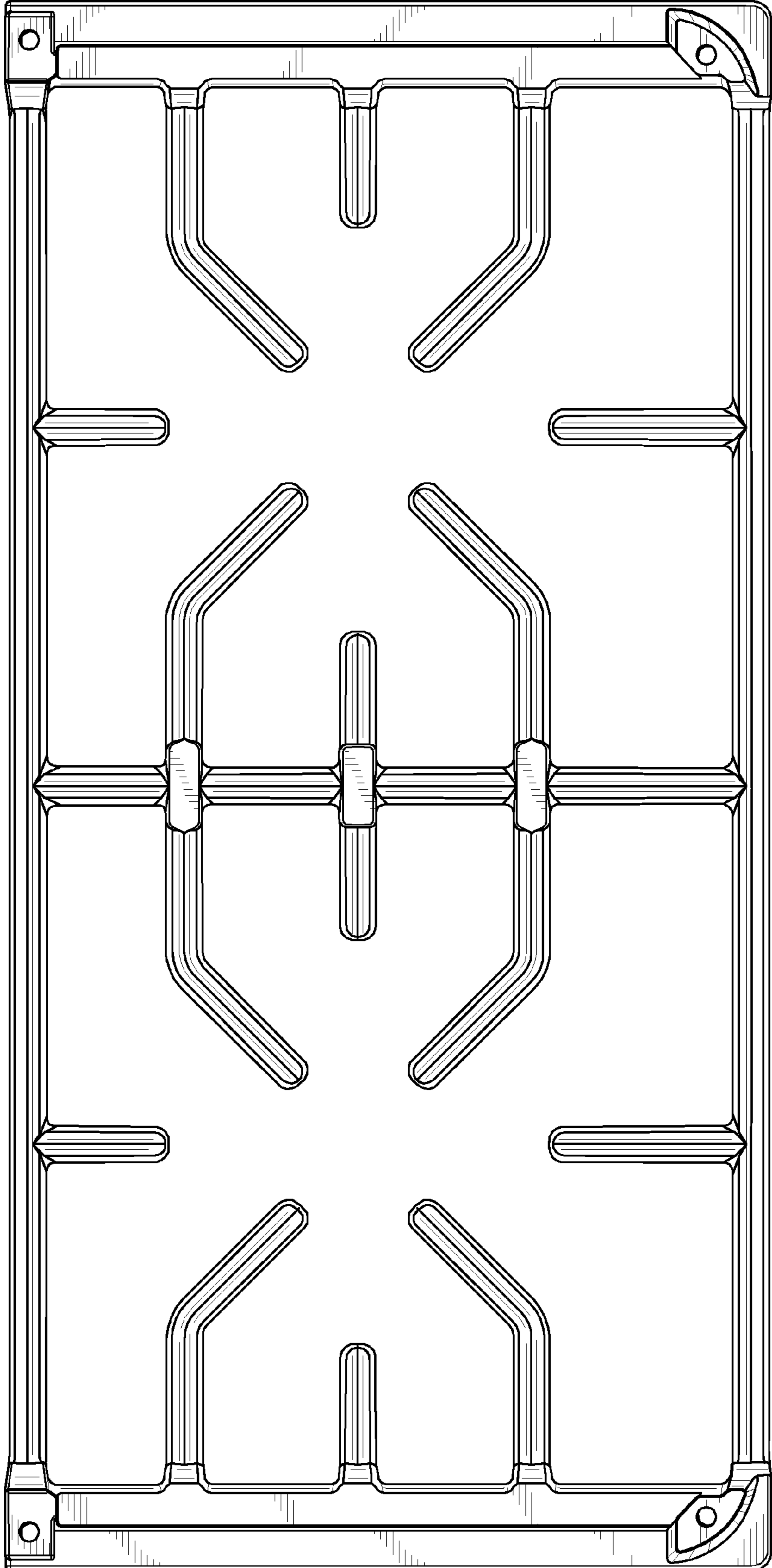


FIG. 2

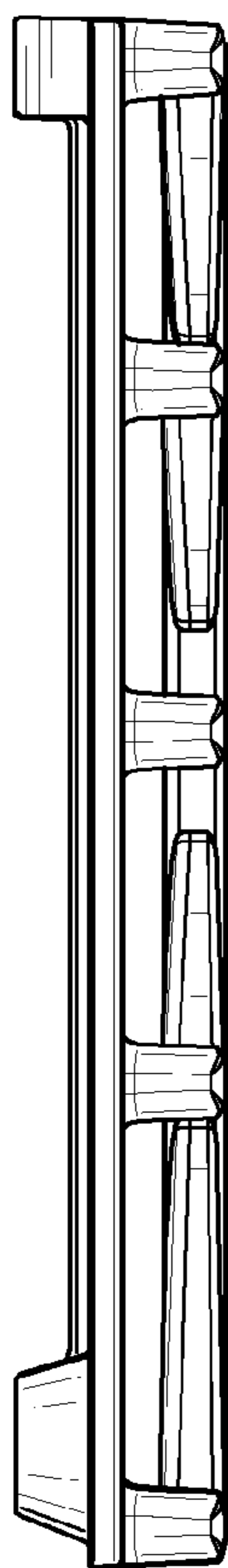


FIG. 3



FIG. 4

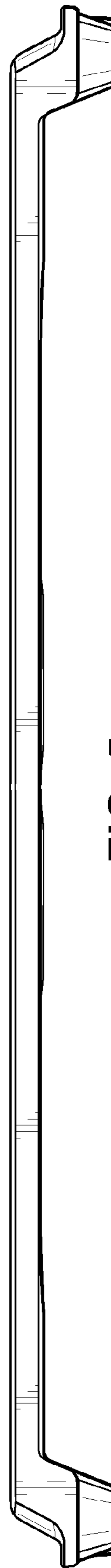


FIG. 5

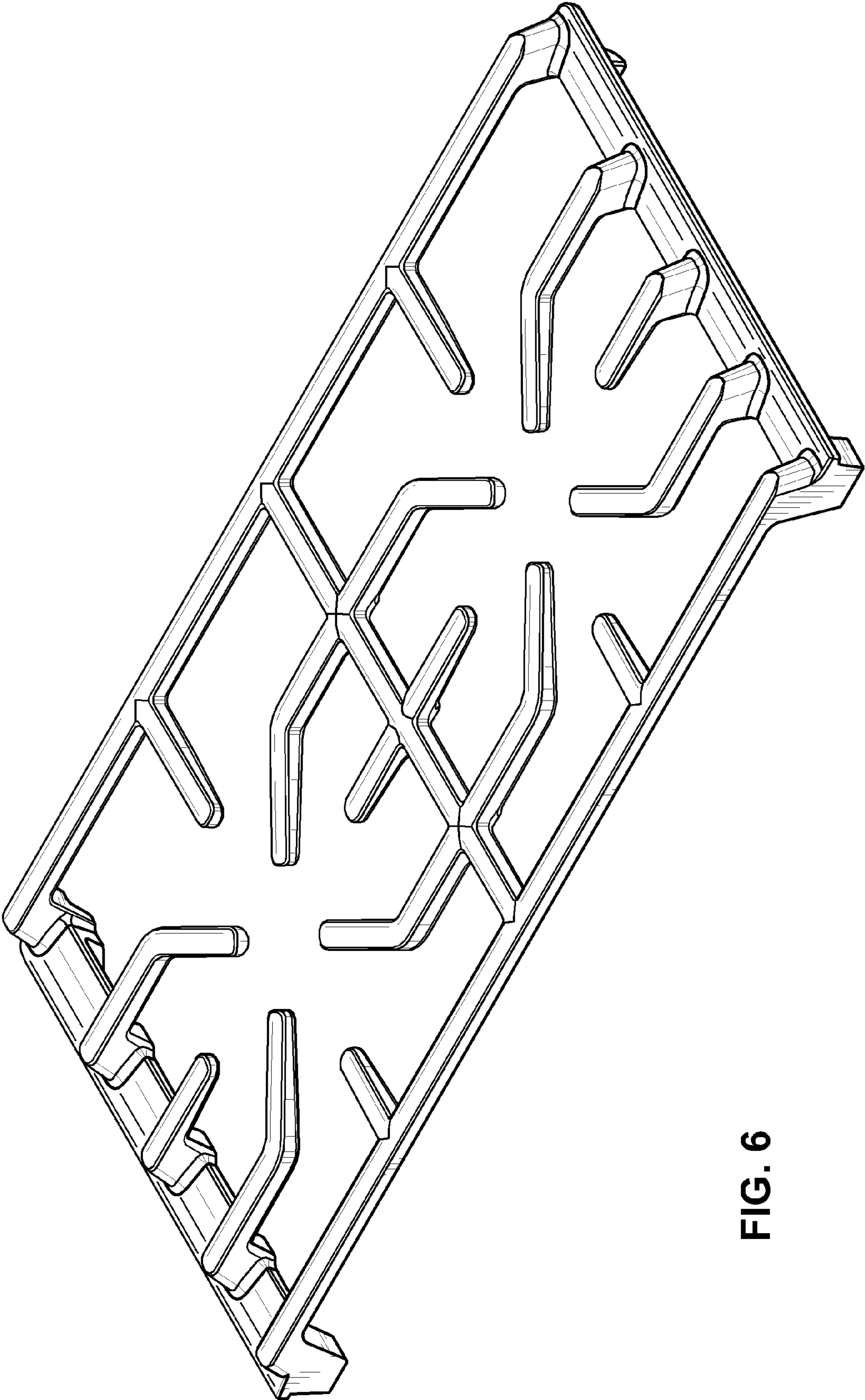


FIG. 6