



US00D628015S

(12) **United States Design Patent**  
**Baacke**

(10) **Patent No.:** **US D628,015 S**

(45) **Date of Patent:** **\*\* Nov. 30, 2010**

(54) **EVACUATION SYSTEM**

(75) Inventor: **Sven Baacke**, München (DE)

(73) Assignee: **BSH Bosch und Siemens Hausgeraete GmbH**, Munich (DE)

(\*\*) Term: **14 Years**

(21) Appl. No.: **29/360,745**

(22) Filed: **Apr. 30, 2010**

**Related U.S. Application Data**

(62) Division of application No. 29/301,486, filed on Mar. 3, 2008, now Pat. No. Des. 618,503.

(30) **Foreign Application Priority Data**

Sep. 12, 2007 (EM) ..... 000795604

(51) **LOC (9) Cl.** ..... **07-02**

(52) **U.S. Cl.** ..... **D7/402**

(58) **Field of Classification Search** ..... D7/402,  
D7/403, 405, 406; D23/370-373, 385, 388;  
126/299 D, 299 R; 454/63, 349, 354  
See application file for complete search history.

(56) **References Cited**

**U.S. PATENT DOCUMENTS**

D318,111 S \* 7/1991 Galassi ..... D23/372  
D380,823 S \* 7/1997 LaZar ..... D23/372  
D436,658 S \* 1/2001 Goulet ..... D23/372  
D444,221 S \* 6/2001 Strand et al. .... D23/372

D450,379 S \* 11/2001 Strand et al. .... D23/372  
D451,587 S \* 12/2001 Goulet ..... D23/372  
D465,021 S \* 10/2002 Liou ..... D23/372  
D468,961 S \* 1/2003 Becker et al. .... D7/402  
D488,215 S \* 4/2004 Roberts et al. .... D23/373  
D532,508 S \* 11/2006 Cheng ..... D23/372  
D540,619 S \* 4/2007 Kim ..... D7/405  
D565,719 S \* 4/2008 Cheng ..... D23/372  
D577,806 S \* 9/2008 Grey et al. .... D23/372  
D618,503 S \* 6/2010 Baacke ..... D7/402

\* cited by examiner

*Primary Examiner*—T. Chase Nelson

*Assistant Examiner*—Mark Cavanna

(74) *Attorney, Agent, or Firm*—James E. Howard; Andre Pallapies

(57) **CLAIM**

The ornamental design for an evacuation system, as shown.

**DESCRIPTION**

FIG. 1 is a perspective view of an evacuation system showing my new ornamental design;

FIG. 2 is a front view thereof;

FIG. 3 is a rear view thereof;

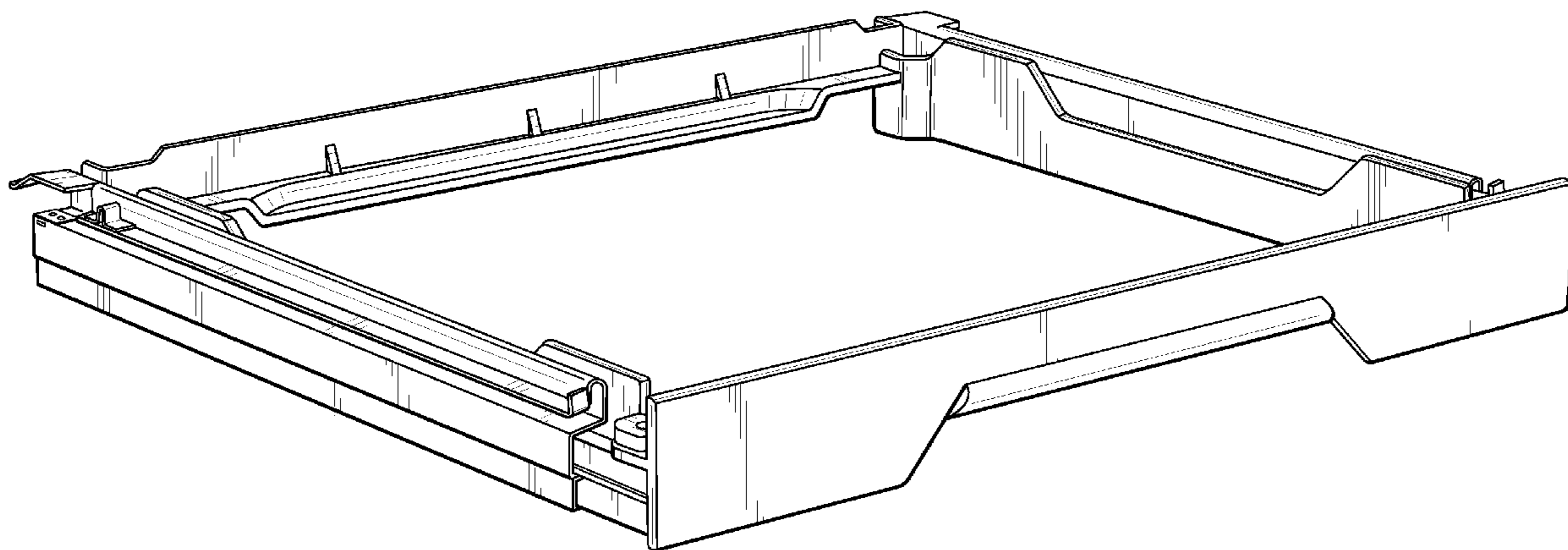
FIG. 4 is a right view thereof;

FIG. 5 is a left view thereof;

FIG. 6 is a top view thereof; and,

FIG. 7 is a bottom view thereof.

**1 Claim, 4 Drawing Sheets**



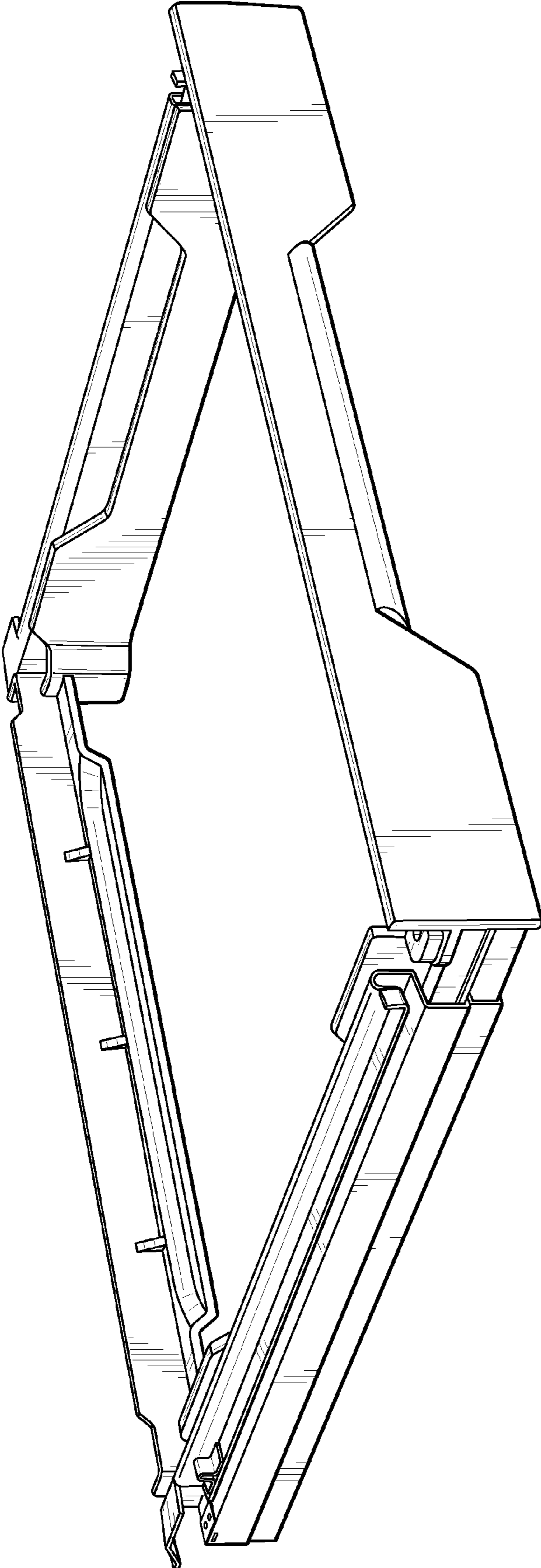


FIG. 1

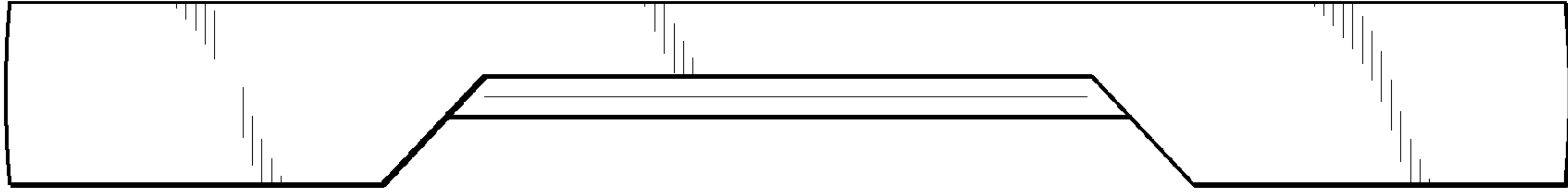


FIG. 2

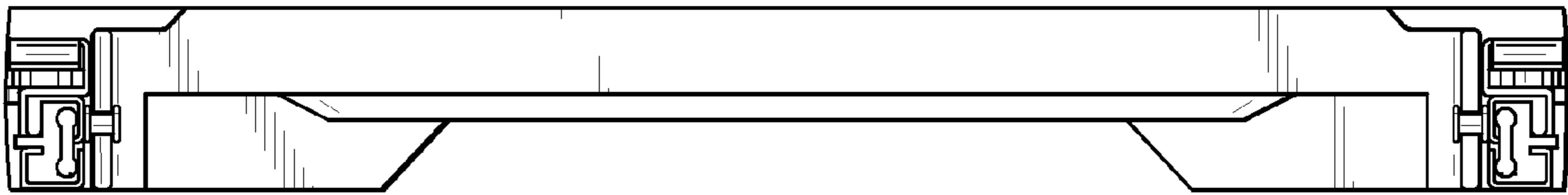


FIG. 3

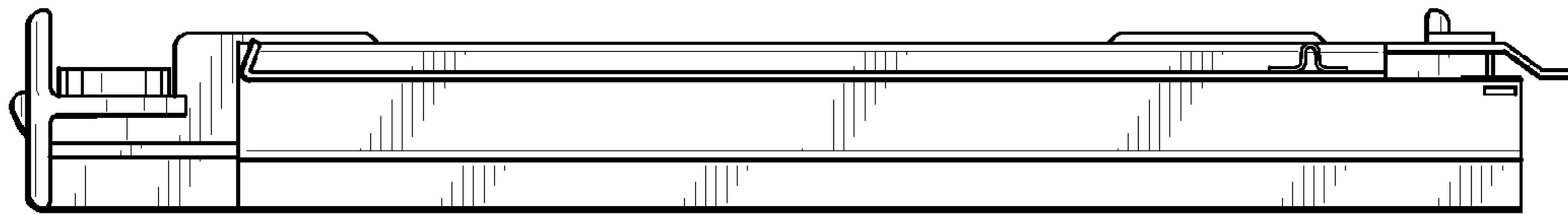


FIG. 4

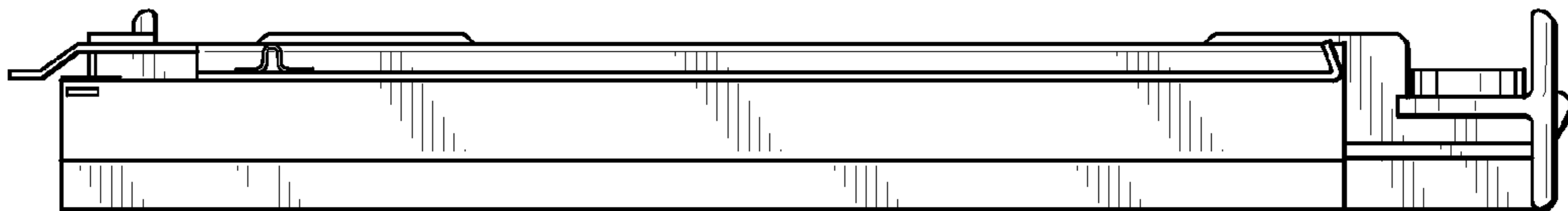


FIG. 5

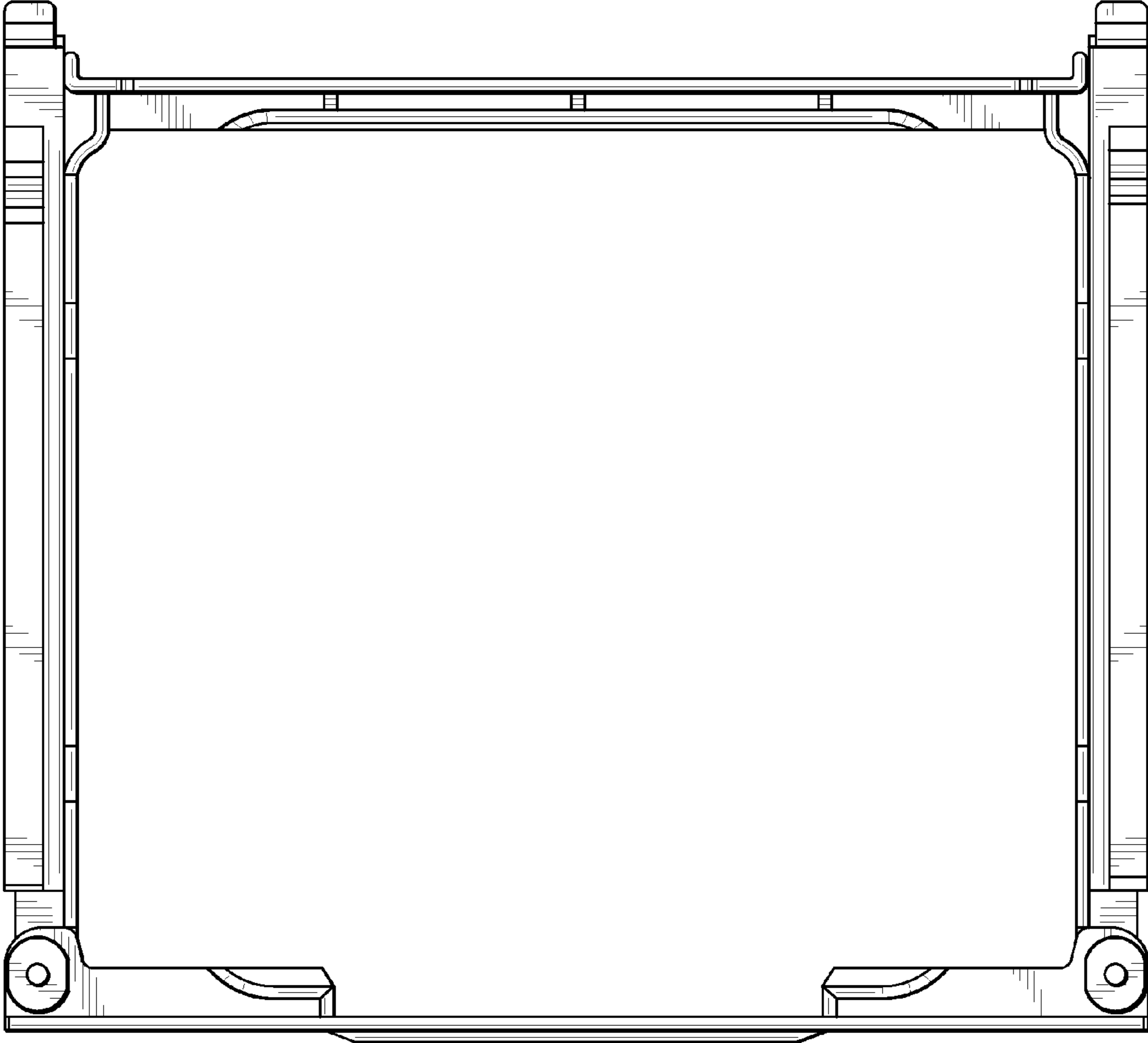


FIG. 6

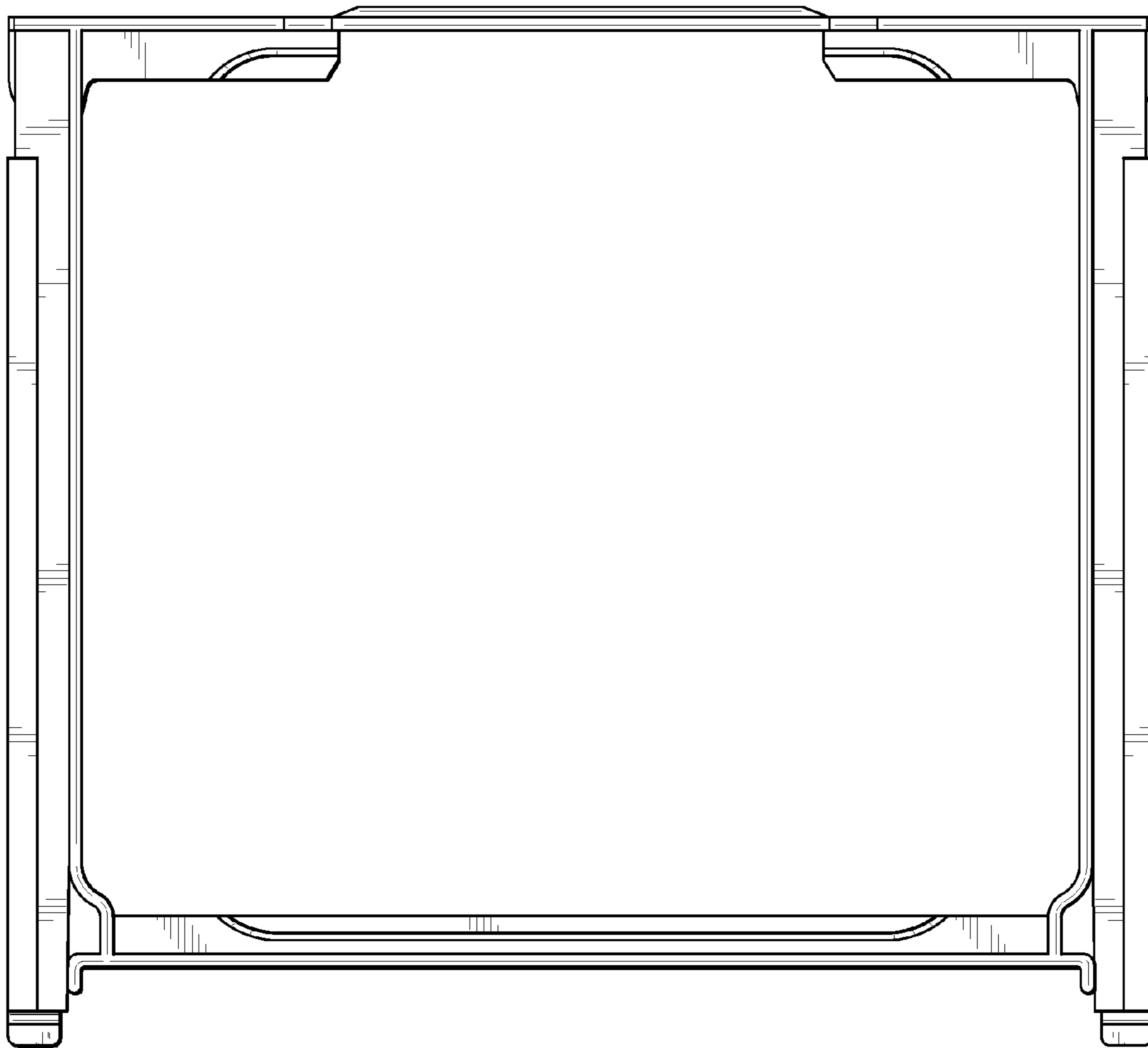


FIG. 7