



US00D628014S

(12) **United States Design Patent**
Martindale

(10) **Patent No.:** **US D628,014 S**

(45) **Date of Patent:** **** Nov. 30, 2010**

(54) **CLADDED BAR GUN**

(75) Inventor: **Richard A. Martindale**, Vacaville, CA
(US)

(73) Assignee: **Automatic Bar Controls, Inc.**,
Vacaville, CA (US)

(**) Term: **14 Years**

(21) Appl. No.: **29/329,575**

(22) Filed: **Dec. 17, 2008**

(51) **LOC (9) Cl.** **07-01**

(52) **U.S. Cl.** **D7/398; D7/397**

(58) **Field of Classification Search** D7/300,
D7/306-308, 397, 398; 222/144.5, 113,
222/146.6, 129.1; D23/238

See application file for complete search history.

(56) **References Cited**

U.S. PATENT DOCUMENTS

D194,343	S *	1/1963	Zilk	D7/398
3,168,967	A *	2/1965	Giampa	222/129.1
D216,861	S *	3/1970	Moranga	D7/398
D274,031	S *	5/1984	de Man	D7/398
4,497,421	A *	2/1985	Schilling	222/144.5
4,921,140	A	5/1990	Belcham		
D309,232	S *	7/1990	Valiyee et al.	D7/398
4,986,449	A *	1/1991	Valiyee et al.	222/144.5

5,042,692	A *	8/1991	Valiyee et al.	222/144.5
5,056,686	A	10/1991	Jarrett		
7,028,864	B2	4/2006	McCann		
7,267,247	B1	9/2007	Crunkleton		
7,658,006	B2 *	2/2010	Schroeder	29/890.142

* cited by examiner

Primary Examiner—Marianne Pandozzi

(74) *Attorney, Agent, or Firm*—Townsend and Townsend and Crew LLP

(57) **CLAIM**

The ornamental design for a cladded bar gun, as shown and described.

DESCRIPTION

FIG. 1 is a perspective view of a cladded bar gun showing my new design;

FIG. 2 is a top plan view thereof;

FIG. 3 is a bottom plan view thereof;

FIG. 4 is a left side elevational view thereof;

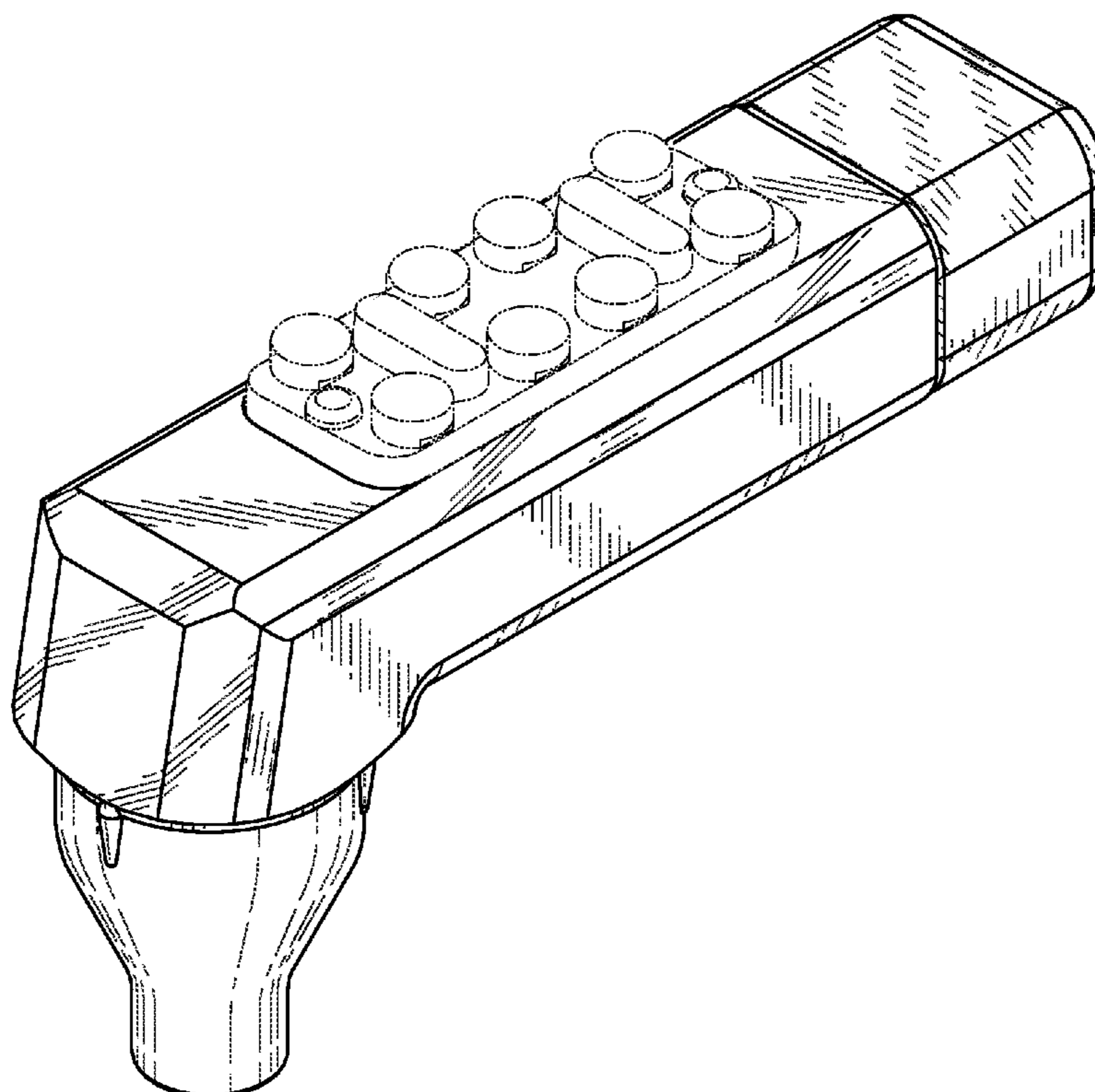
FIG. 5 is a right side elevational view thereof;

FIG. 6 is a front elevational view thereof; and,

FIG. 7 is a rear elevational view thereof.

The broken lines in the drawings are included for the purpose of illustration and form no part of the claimed design.

1 Claim, 5 Drawing Sheets



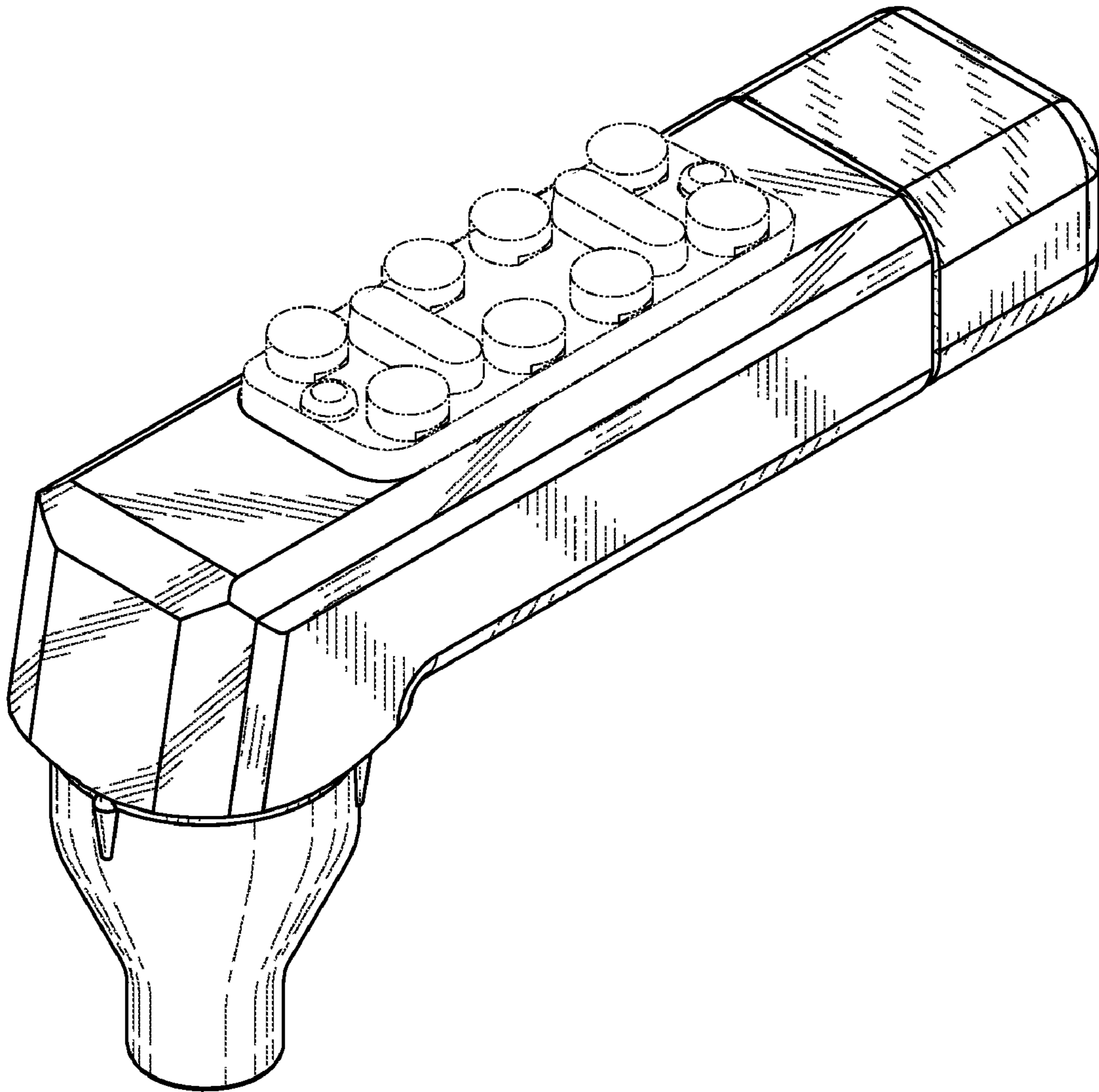


FIG. 1

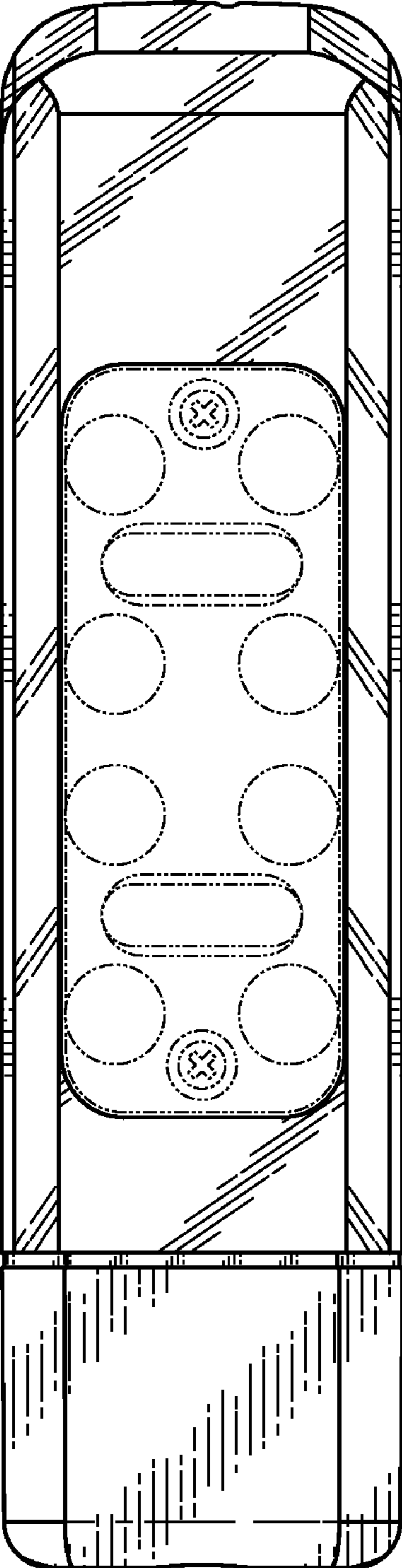


FIG. 2

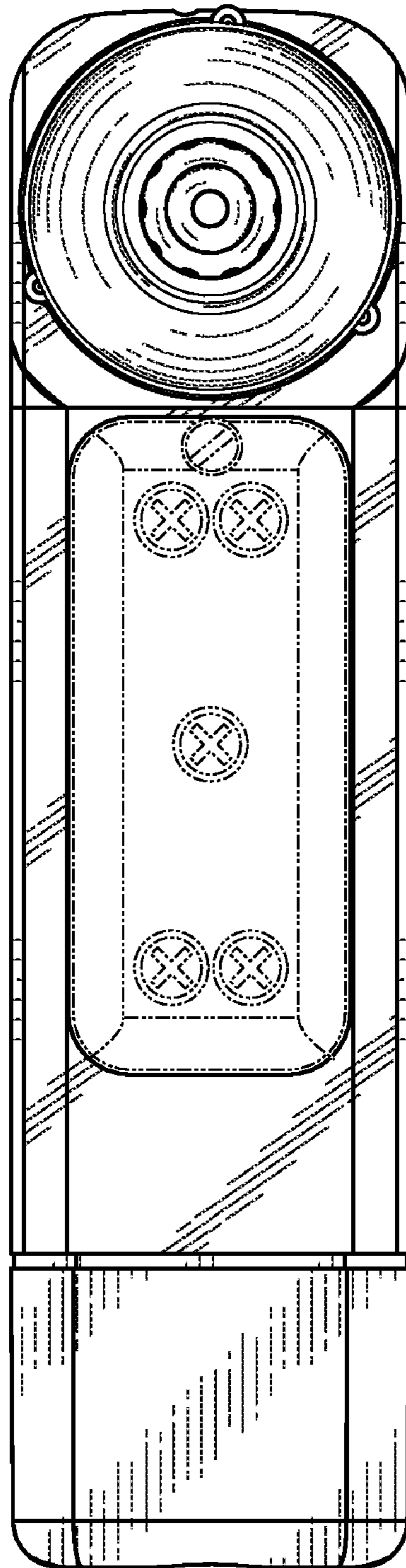


FIG. 3

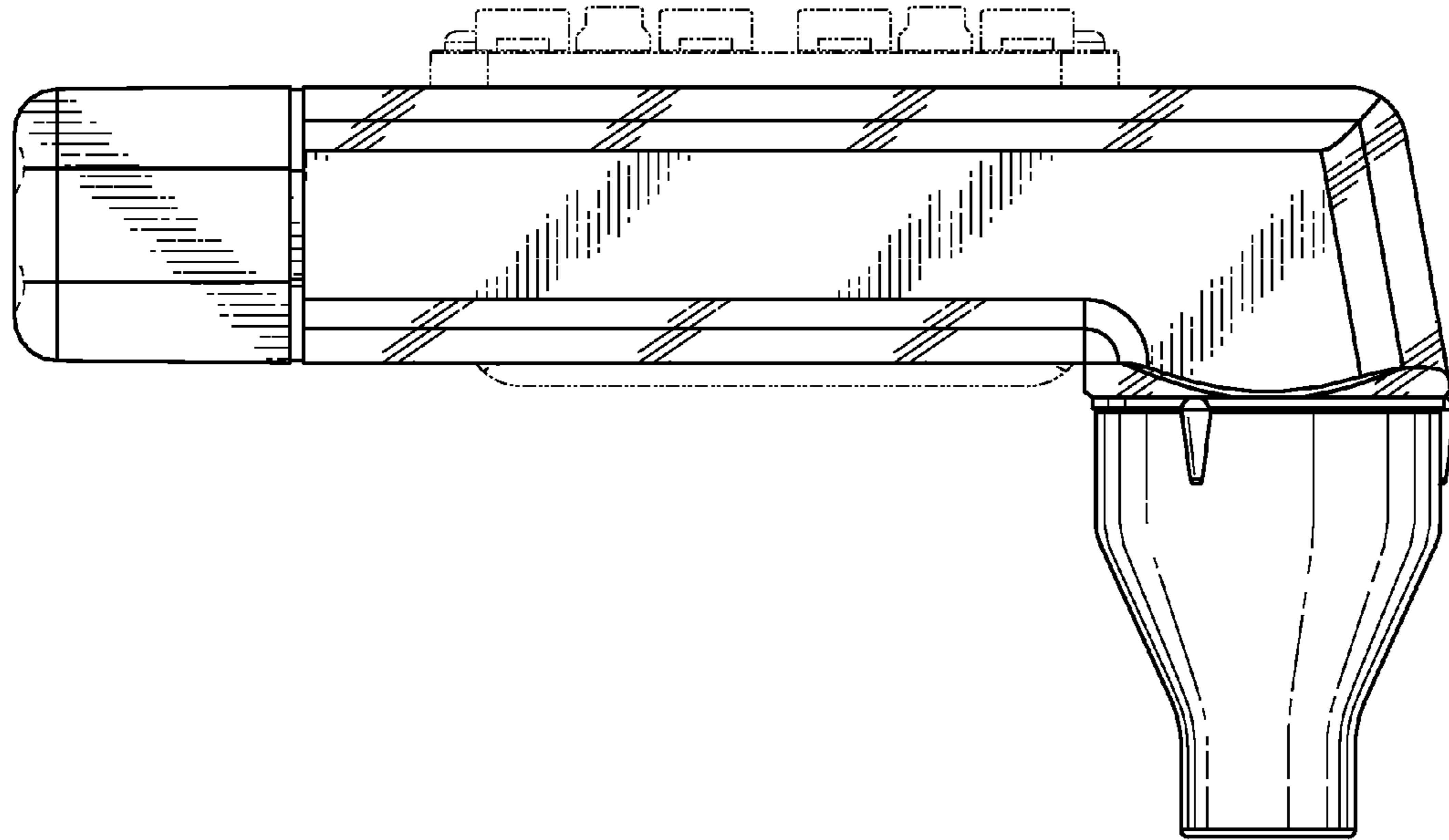


FIG. 4

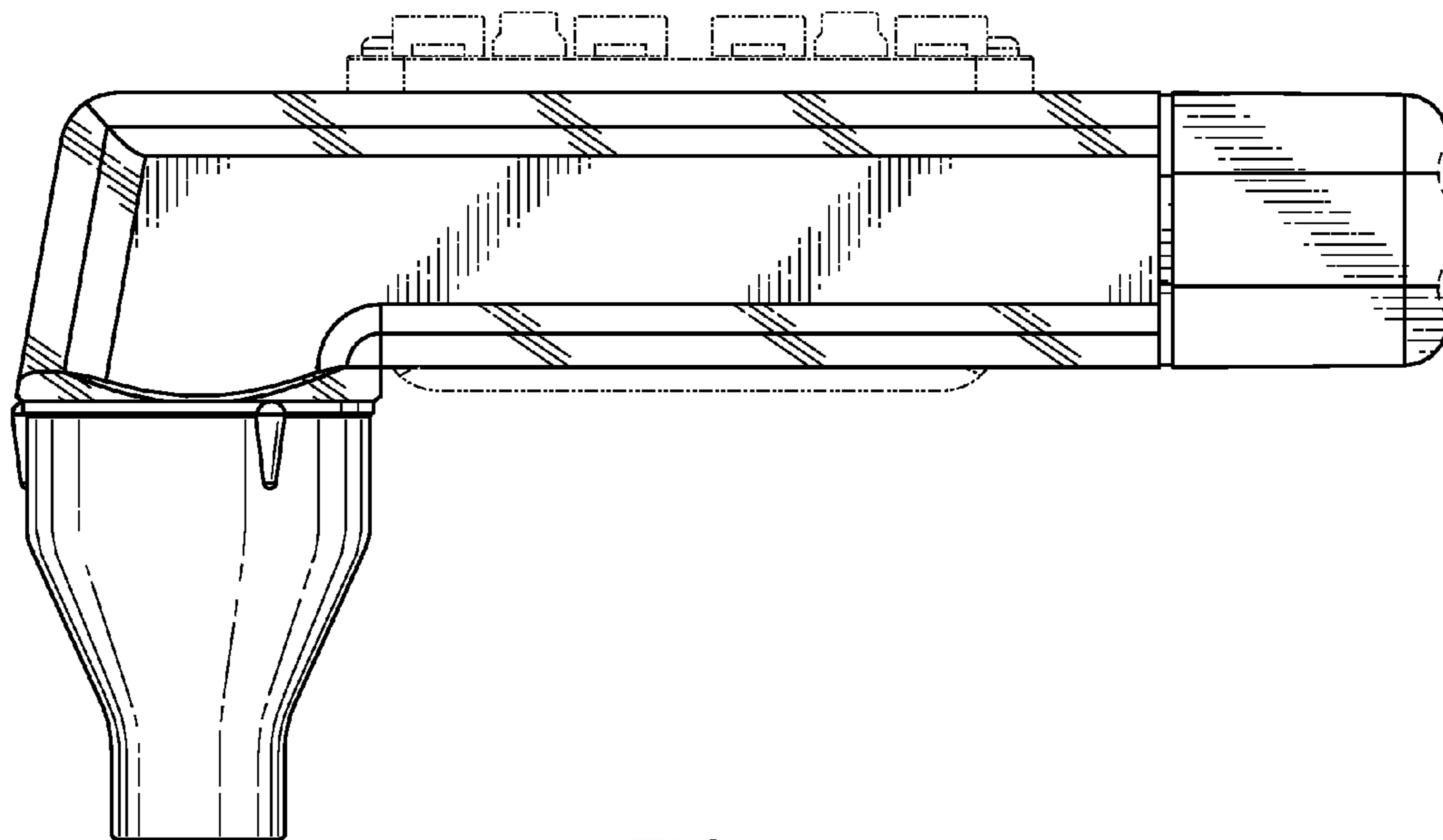


FIG. 5

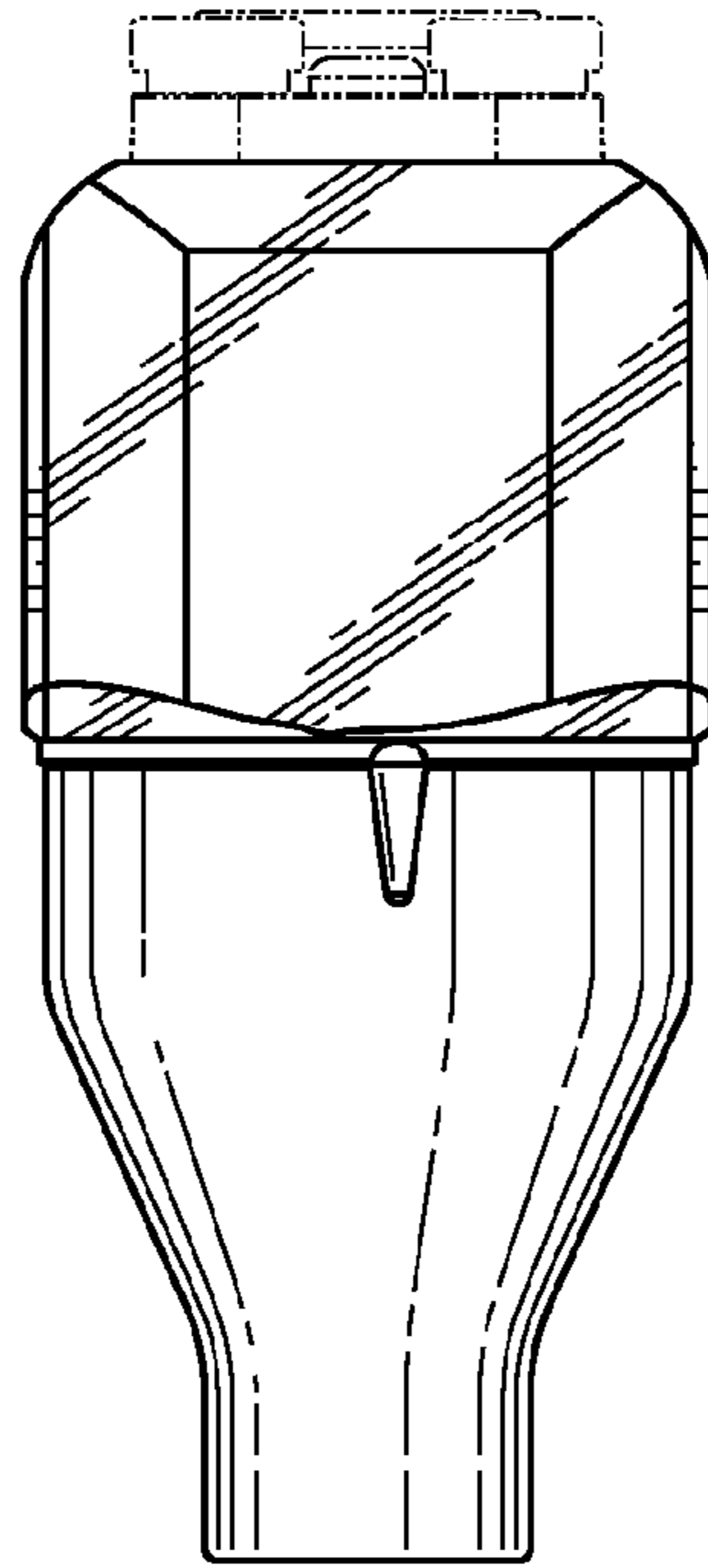


FIG. 6

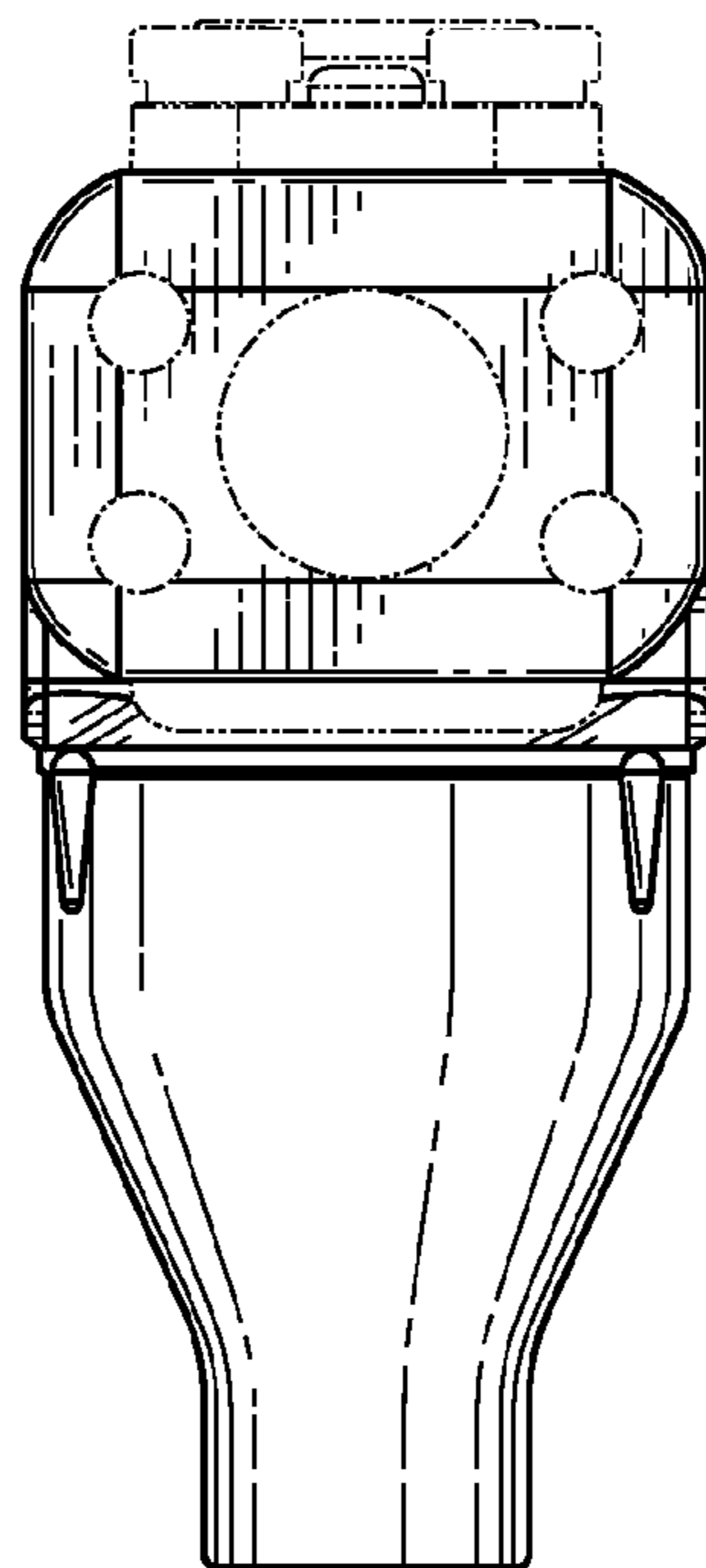


FIG. 7