



US00D628011S

(12) **United States Design Patent**
De Pra'

(10) **Patent No.:** **US D628,011 S**

(45) **Date of Patent:** **** Nov. 30, 2010**

(54) **GRINDER**

(75) Inventor: **Dario De Pra'**, Mirano (IT)

(73) Assignee: **De'Longhi S.p.A.**, Treviso (IT)

(**) Term: **14 Years**

(21) Appl. No.: **29/313,314**

(22) Filed: **Dec. 23, 2008**

(51) **LOC (9) Cl.** **31-00**

(52) **U.S. Cl.** **D7/372; D7/679**

(58) **Field of Classification Search** D7/669,
D7/678-679, 372-373, 386, 414, 590, 592,
D7/596-597; D9/905, 549, 551; 241/92,
241/37.5, 101.78, 277, 279-280, 168-169,
241/169.1, 273.1, 273.4; 222/142.1-142.9,
222/480

See application file for complete search history.

(56) **References Cited**

U.S. PATENT DOCUMENTS

| | | | |
|--------------|---------|--------------------|--------|
| D164,220 S | 8/1951 | Dale | |
| D206,476 S | 12/1966 | Cournoyer | |
| D212,589 S | 11/1968 | Roberts | |
| D242,892 S | 1/1977 | Brown et al. | |
| D345,074 S | 3/1994 | Myers | |
| D353,915 S | 12/1994 | Lanne | |
| D396,987 S | 8/1998 | Seiffert | |
| D400,046 S | 10/1998 | Seiffert | |
| D413,224 S | 8/1999 | Cruz et al. | |
| D414,383 S | 9/1999 | Fitzgibbons et al. | |
| 6,205,910 B1 | 3/2001 | Vaughn | |
| D445,292 S | 7/2001 | Sowden | |
| D448,248 S | 9/2001 | Nichols | |
| D449,199 S | 10/2001 | Cahen | |
| D455,324 S | 4/2002 | Wright | |
| D455,325 S | 4/2002 | Steiner | |
| D482,926 S | 12/2003 | Copland | |
| D486,346 S | 2/2004 | Jonsson | |
| D502,062 S * | 2/2005 | Kaposi | D7/693 |
| D511,269 S | 11/2005 | MacWilliam | |
| D517,859 S * | 3/2006 | Fung | D7/372 |

| | | | |
|-----------------|---------|------------------|--------|
| D519,330 S * | 4/2006 | Bodum | D7/679 |
| D523,279 S | 6/2006 | Zemp | |
| D524,983 S | 7/2006 | Smith et al. | |
| D525,474 S | 7/2006 | Huang | |
| D526,524 S | 8/2006 | Jordana | |
| D526,828 S | 8/2006 | Jordana | |
| D530,996 S | 10/2006 | Yang | |
| 7,328,865 B1 | 2/2008 | Mills | |
| D563,153 S | 3/2008 | Bodum | |
| D565,910 S | 4/2008 | Krus et al. | |
| D567,598 S * | 4/2008 | Lee | D7/679 |
| D568,604 S | 5/2008 | Kenny | |
| 7,367,519 B2 | 5/2008 | De Groote et al. | |
| D570,636 S | 6/2008 | Kulujian | |
| D581,750 S | 12/2008 | deGroote | |
| D584,096 S | 1/2009 | Lutz | |
| D586,603 S | 2/2009 | Borin | |
| D587,511 S | 3/2009 | Buttler | |
| D606,805 S * | 12/2009 | Neace et al. | D7/399 |
| 2006/0278746 A1 | 12/2006 | Delbridge et al. | |

* cited by examiner

Primary Examiner—Ian Simmons

Assistant Examiner—Dana L Sipos

(74) *Attorney, Agent, or Firm*—Flaster/Greenberg P.C.

(57) **CLAIM**

The ornamental design for a grinder, as shown and described.

DESCRIPTION

FIG. 1 is a perspective view of the grinder;

FIG. 2 is a front view of the grinder;

FIG. 3 is a rear view of the grinder;

FIG. 4 is a left side view of the grinder;

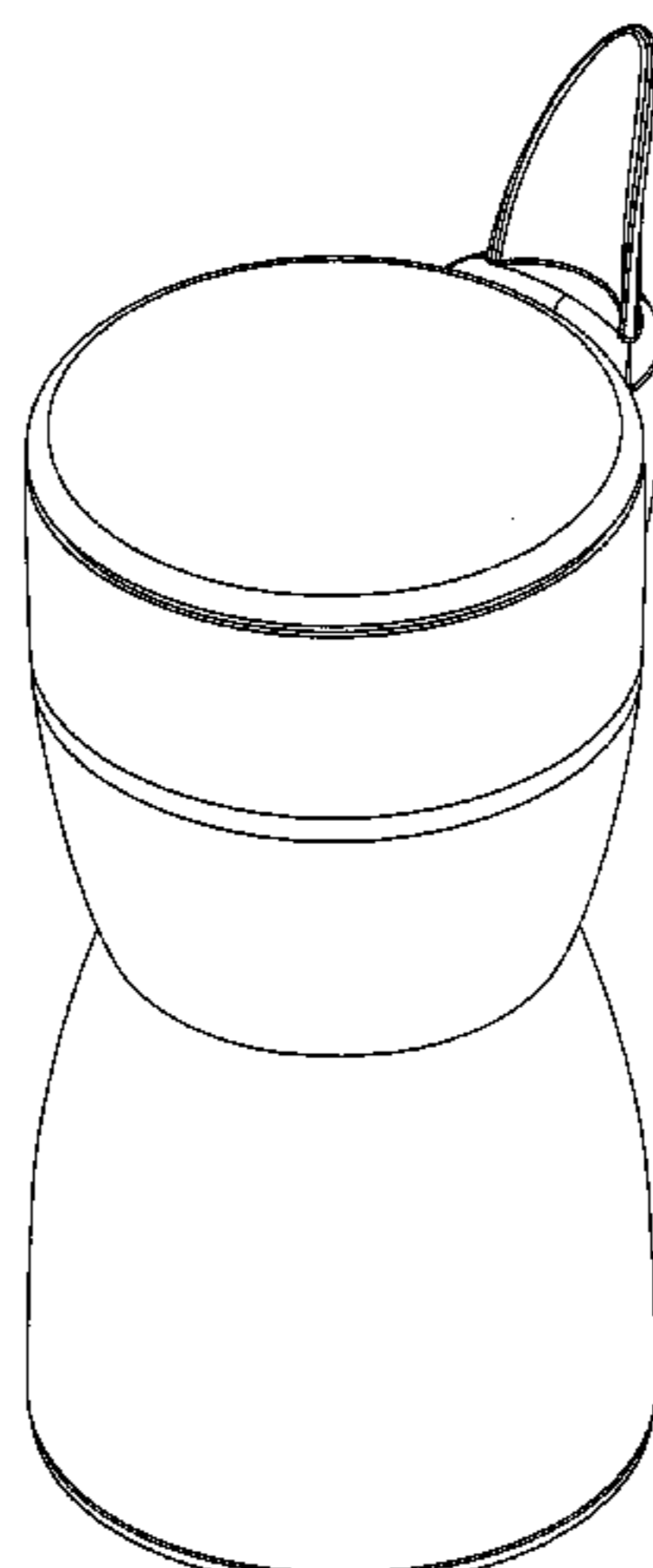
FIG. 5 is a right side view of the grinder;

FIG. 6 is bottom view of the grinder; and,

FIG. 7 is a top view of the grinder.

The broken lines in the drawings showing the details of the bottom surface illustrate the portions of the design that form no part of the claim.

1 Claim, 7 Drawing Sheets



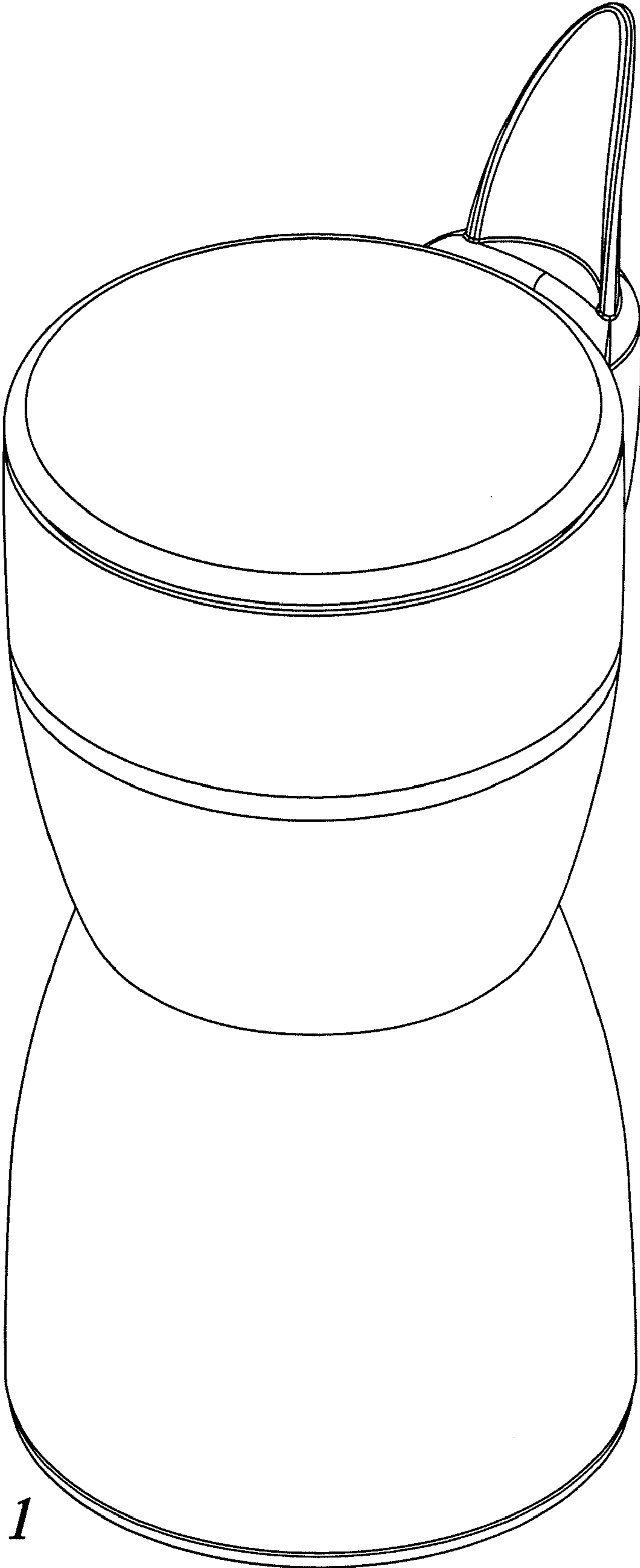


FIG. 1

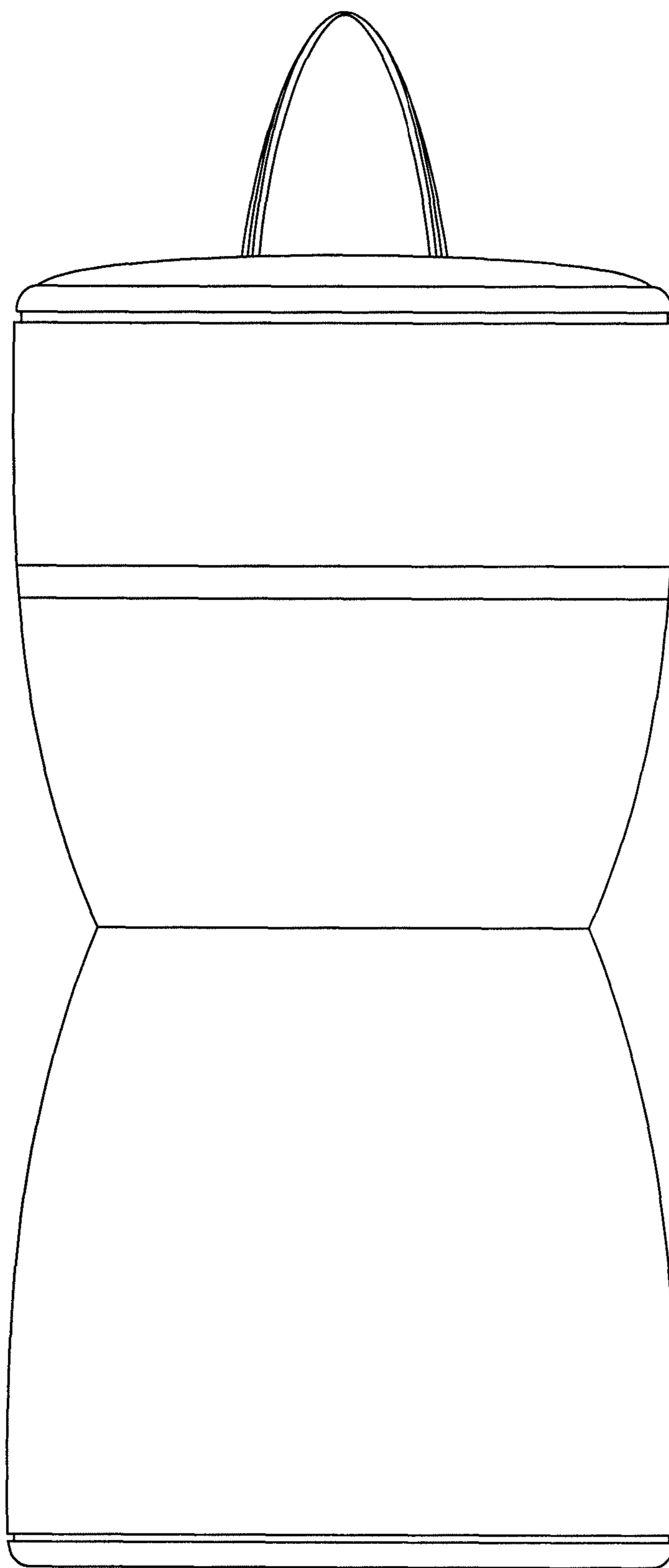


FIG. 2

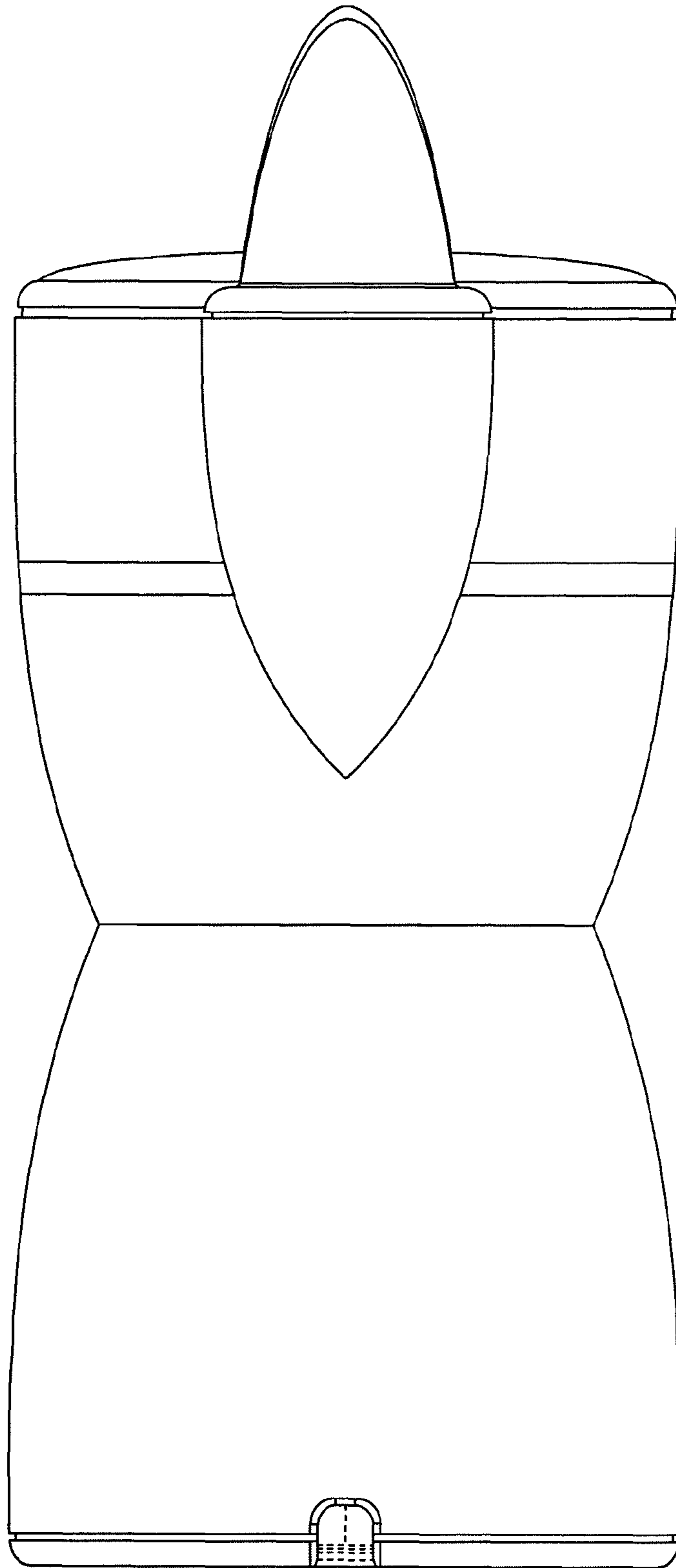


FIG. 3

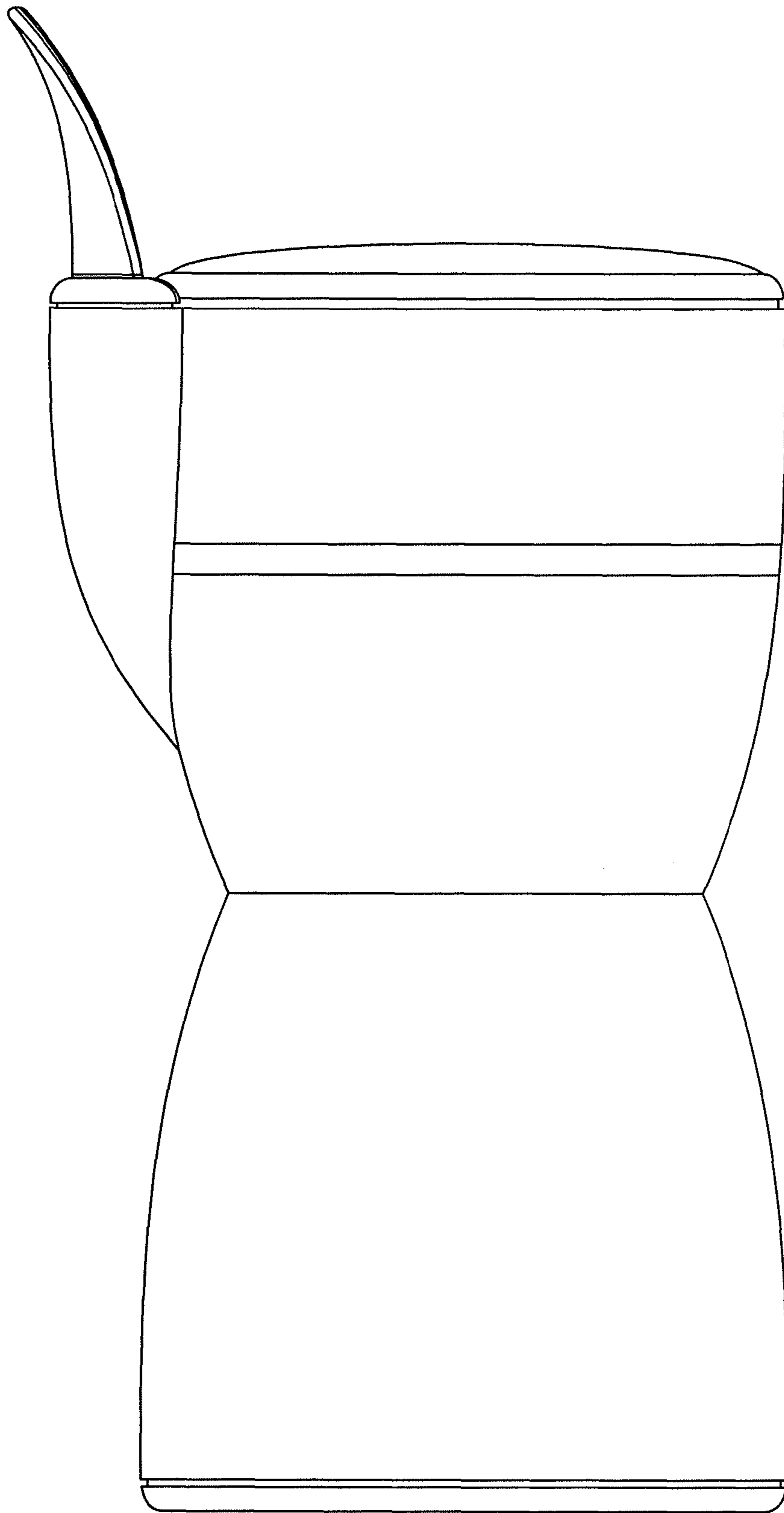


FIG. 4

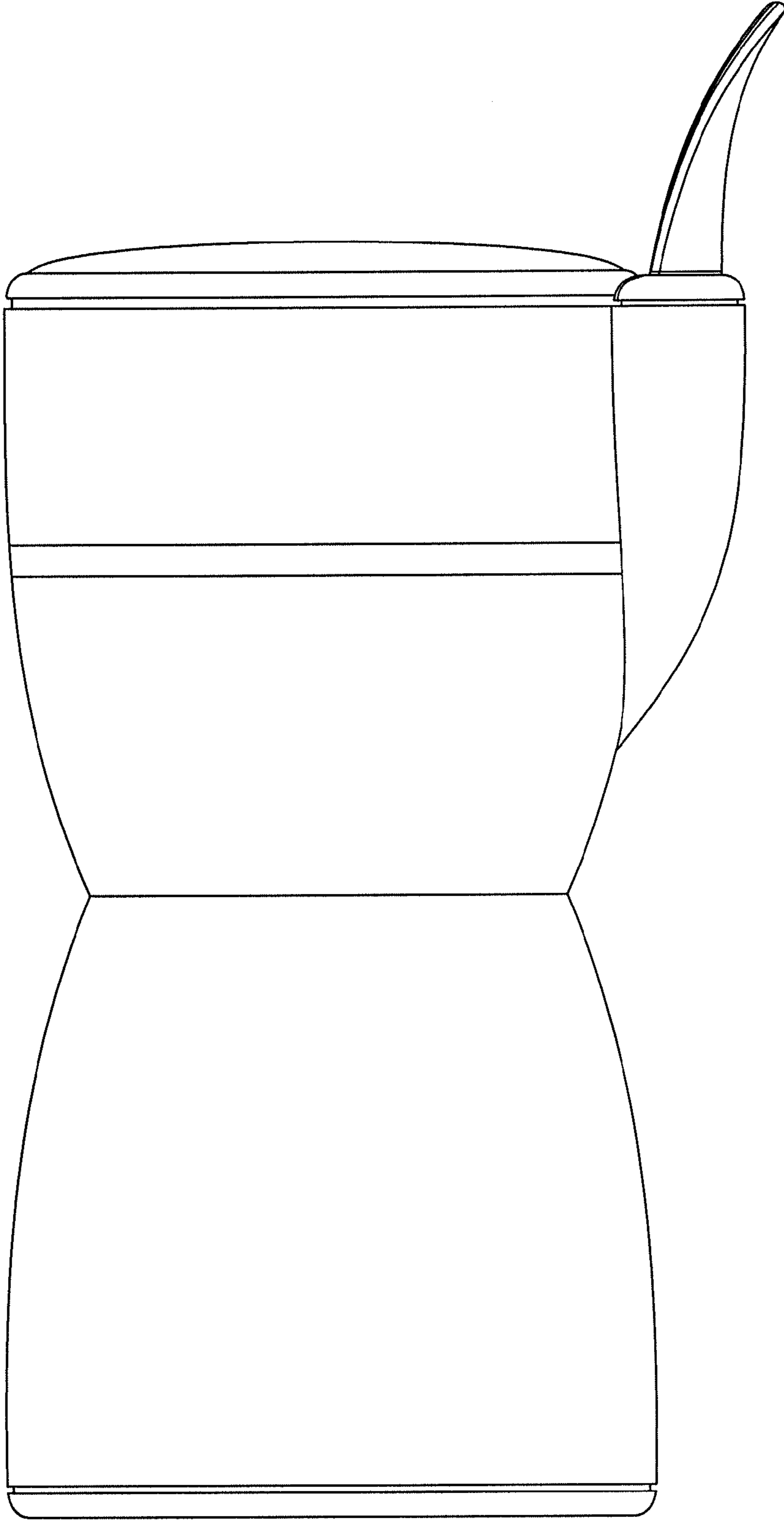


FIG. 5

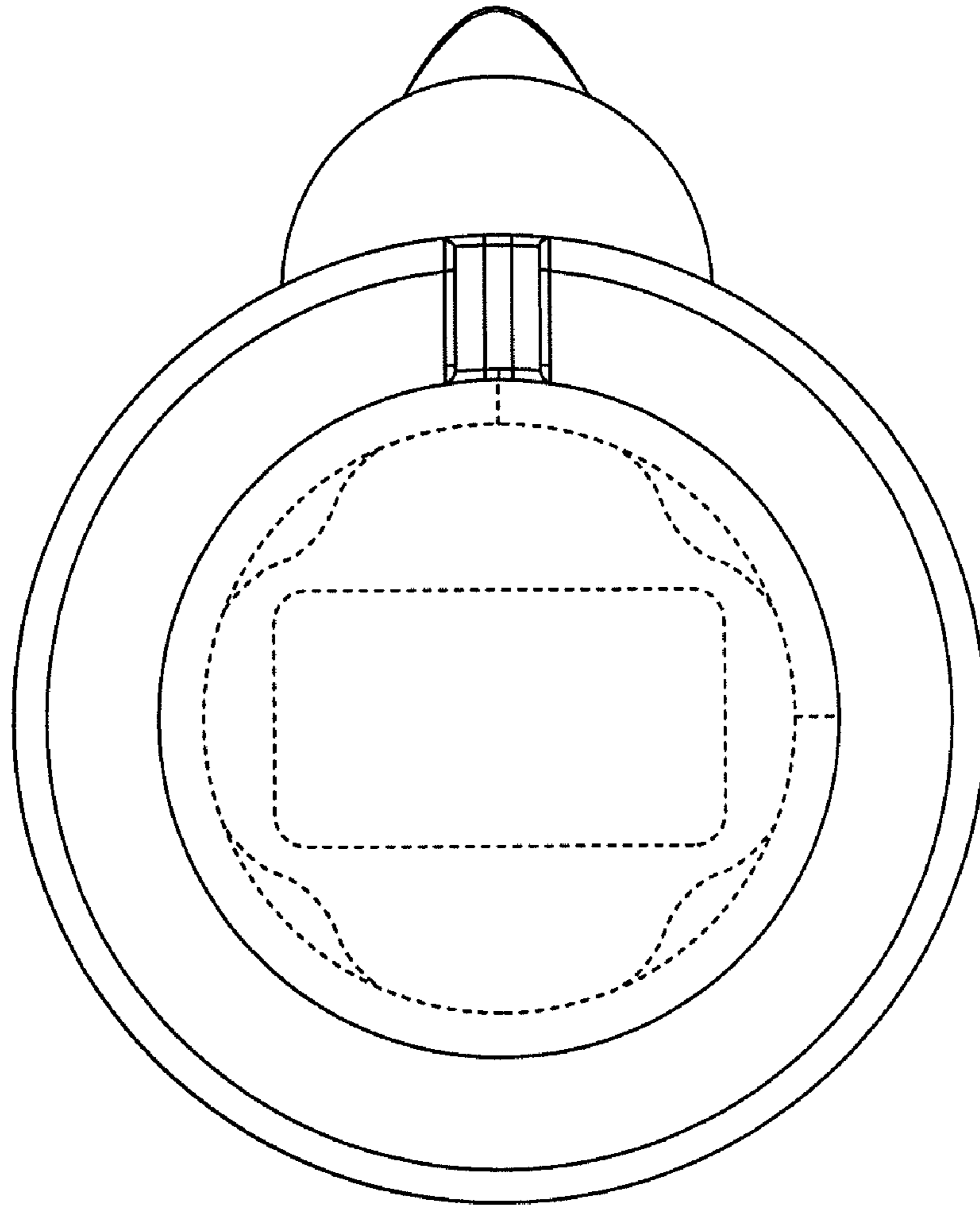


FIG. 6

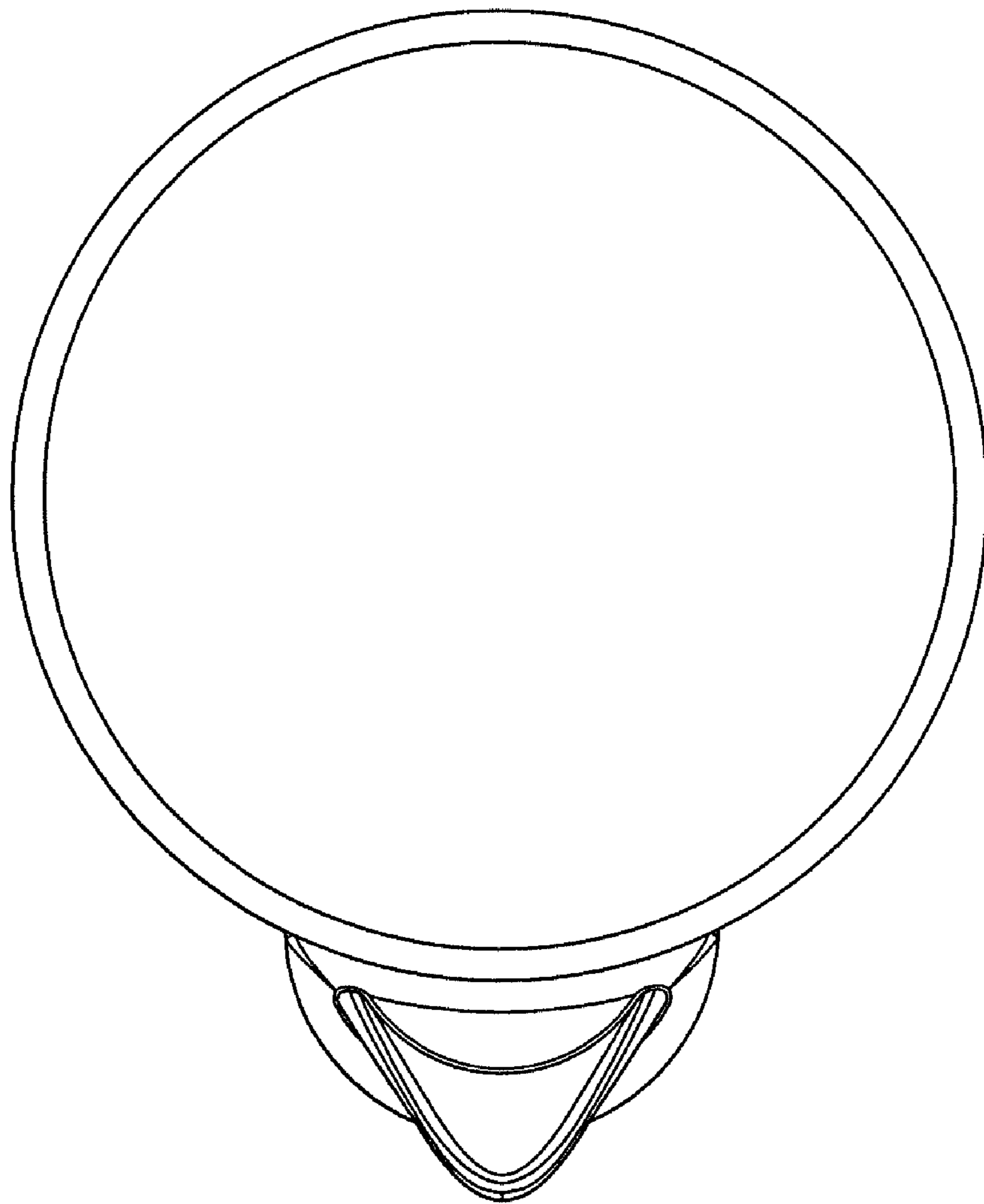


FIG. 7