



US00D628010S

(12) **United States Design Patent**  
**De Pra'**

(10) **Patent No.:** **US D628,010 S**

(45) **Date of Patent:** **\*\* Nov. 30, 2010**

(54) **GRINDER**

(75) Inventor: **Dario De Pra'**, Mirano (IT)

(73) Assignee: **De'Longhi S.p.A.**, Treviso (IT)

(\*\*) Term: **14 Years**

(21) Appl. No.: **29/313,311**

(22) Filed: **Dec. 23, 2008**

(30) **Foreign Application Priority Data**

Jun. 30, 2008 (EM) ..... 000959960

(51) **LOC (9) Cl.** ..... **31-00**

(52) **U.S. Cl.** ..... **D7/372; D7/679**

(58) **Field of Classification Search** ..... D7/669,  
D7/678-679, 372-373, 386, 414, 590, 592,  
D7/596-597; D9/905, 549, 551; 241/92,  
241/37.5, 101.78, 277, 279-280, 168-169,  
241/169.1, 273.1, 273.4; 222/142.1-142.9,  
222/480

See application file for complete search history.

(56) **References Cited**

**U.S. PATENT DOCUMENTS**

- D164,220 S 8/1951 Dale
- D206,476 S 12/1966 Cournoyer
- D212,589 S 5/1968 Roberts
- D242,892 S 1/1977 Brown et al.
- D345,074 S 3/1994 Myers
- D353,915 S 12/1994 Lanne
- D396,987 S 8/1998 Seiffert
- D400,046 S 10/1998 Seiffert
- D413,224 S 8/1999 Cruz et al.
- D414,383 S 9/1999 Fitzgibbons et al.
- 6,205,910 B1 3/2001 Vaughn
- D445,292 S 7/2001 Sowden
- D448,248 S 9/2001 Nichols
- D449,199 S 10/2001 Cahen
- D455,324 S 4/2002 Wright
- D455,325 S 4/2002 Steiner
- D482,926 S 12/2003 Copland
- D486,346 S 2/2004 Jonsson

- D502,062 S \* 2/2005 Kaposi ..... D7/693
- D511,269 S 11/2005 MacWilliam
- D517,859 S \* 3/2006 Fung ..... D7/372
- D519,330 S \* 4/2006 Bodum ..... D7/679
- D523,279 S 6/2006 Zemp
- D524,983 S 7/2006 Smith et al.
- D525,474 S 7/2006 Huang
- D526,524 S 8/2006 Jordana
- D526,828 S 8/2006 Jordana
- D530,996 S 10/2006 Yang
- 7,328,865 B1 2/2008 Mills et al.
- D563,153 S 3/2008 Bodum
- D565,910 S 4/2008 Krus et al.
- D567,598 S \* 4/2008 Lee ..... D7/679
- D568,604 S 5/2008 Kenny
- 7,367,519 B2 5/2008 De Groote et al.
- D570,636 S 6/2008 Kulujian et al.
- D581,750 S 12/2008 deGroote

(Continued)

*Primary Examiner*—Ian Simmons  
*Assistant Examiner*—Dana L Sipos  
(74) *Attorney, Agent, or Firm*—Flaster/Greenberg, P.C.

(57) **CLAIM**

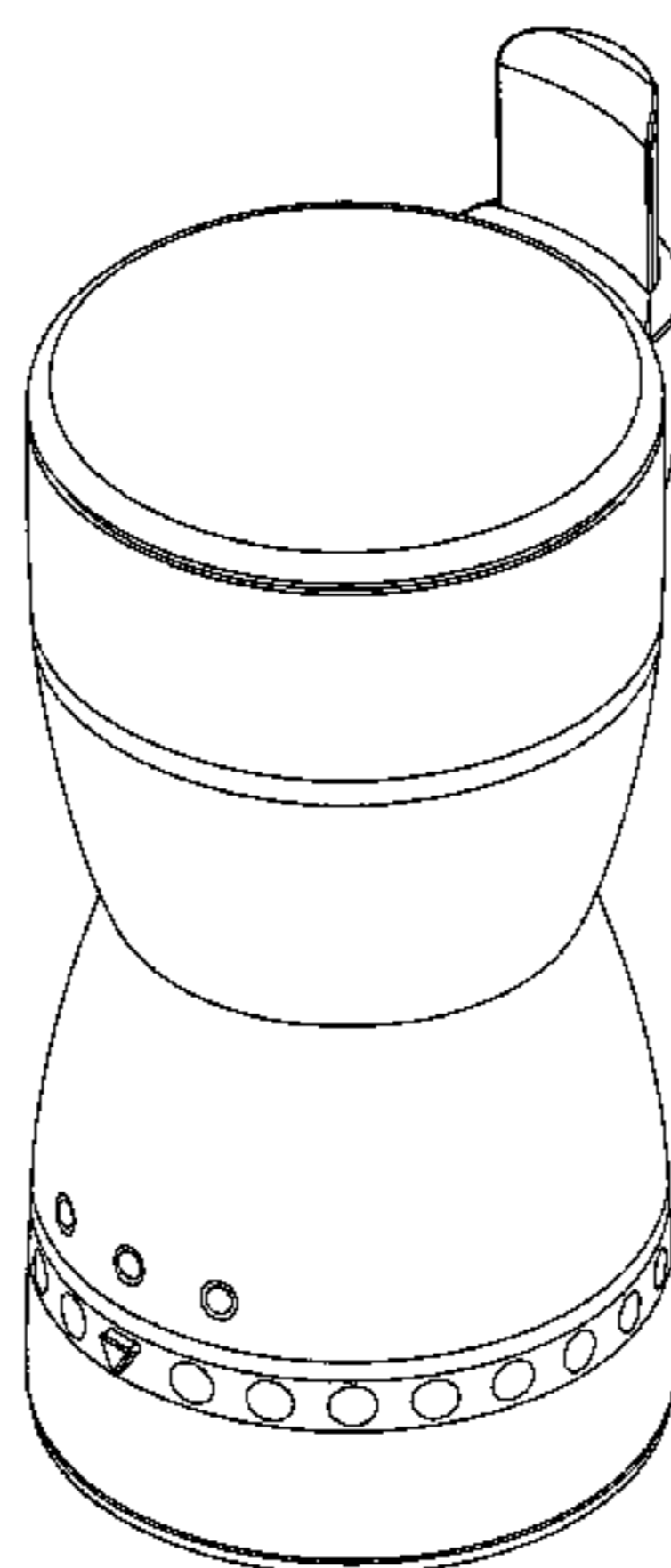
The ornamental design for a grinder, as shown and described.

**DESCRIPTION**

FIG. 1 is a perspective view of the grinder;  
FIG. 2 is a front view of the grinder;  
FIG. 3 is a rear view of the grinder;  
FIG. 4 is a right side view of the grinder;  
FIG. 5 is a left side view of the grinder;  
FIG. 6 is bottom view of the grinder; and,  
FIG. 7 is a top view of the grinder.

The broken lines in the drawings showing the details of the bottom surface illustrate the portions of the design that form no part of the claim.

**1 Claim, 7 Drawing Sheets**



# US D628,010 S

Page 2

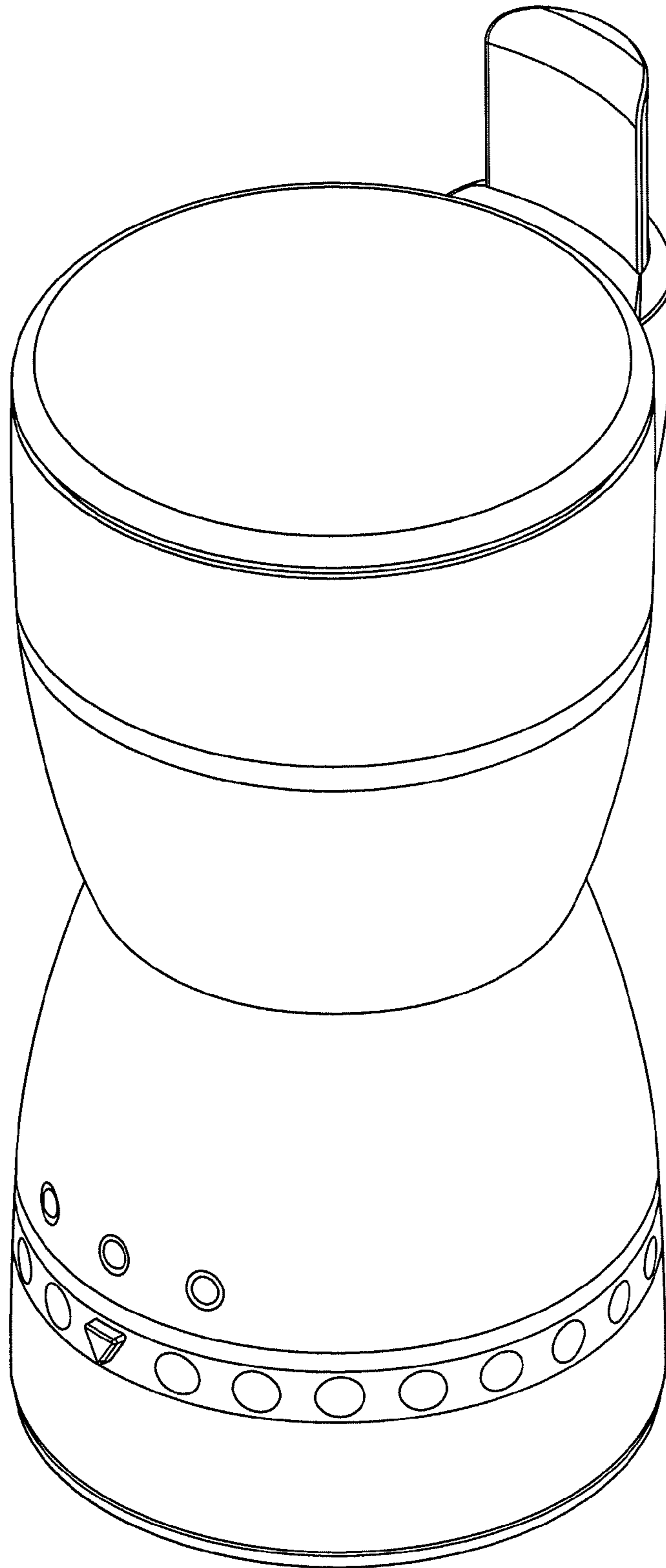
---

## U.S. PATENT DOCUMENTS

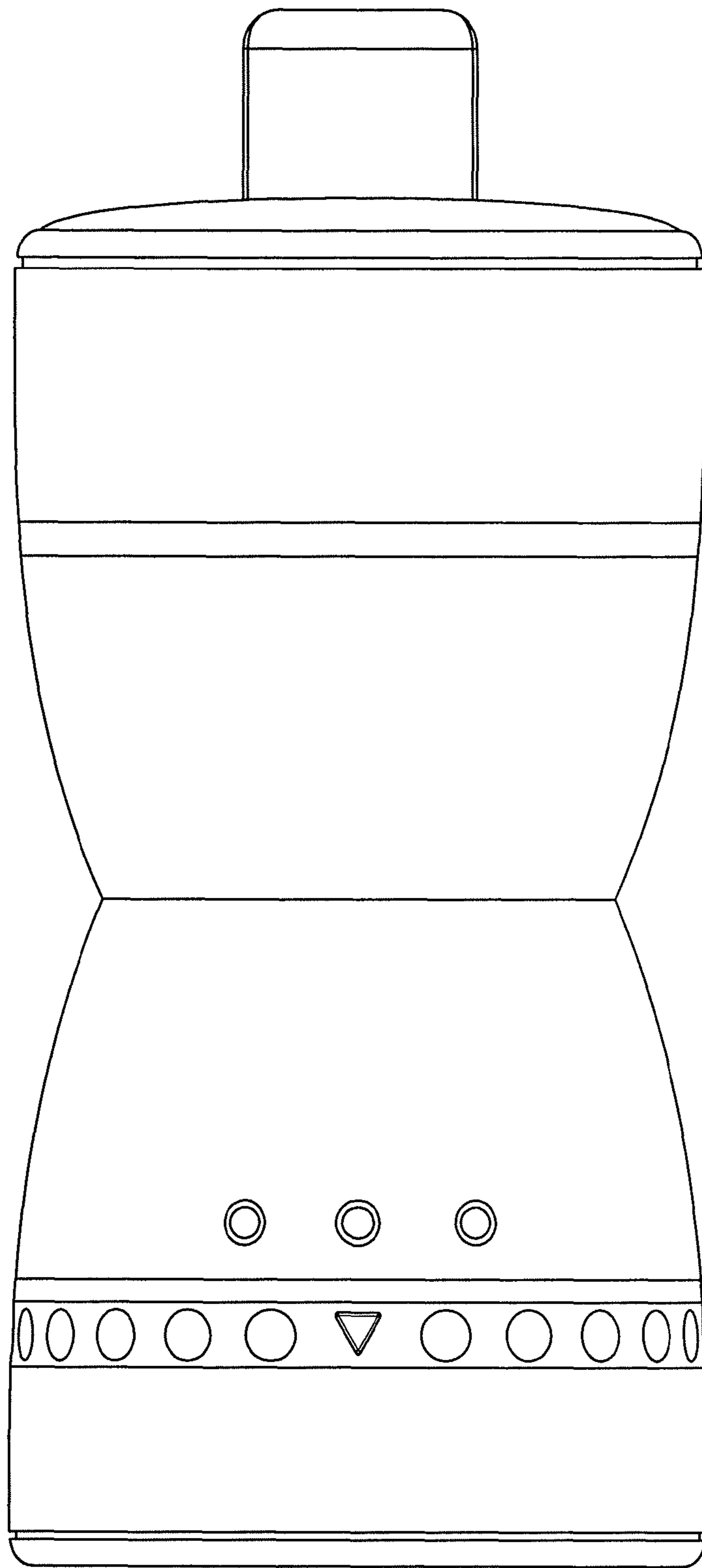
D584,096 S 1/2009 Lutz  
D586,603 S 2/2009 Borin  
D587,511 S 3/2009 Buttler

D606,805 S \* 12/2009 Neace et al. .... D7/399  
2006/0278746 A1 12/2006 Delbridge et al.

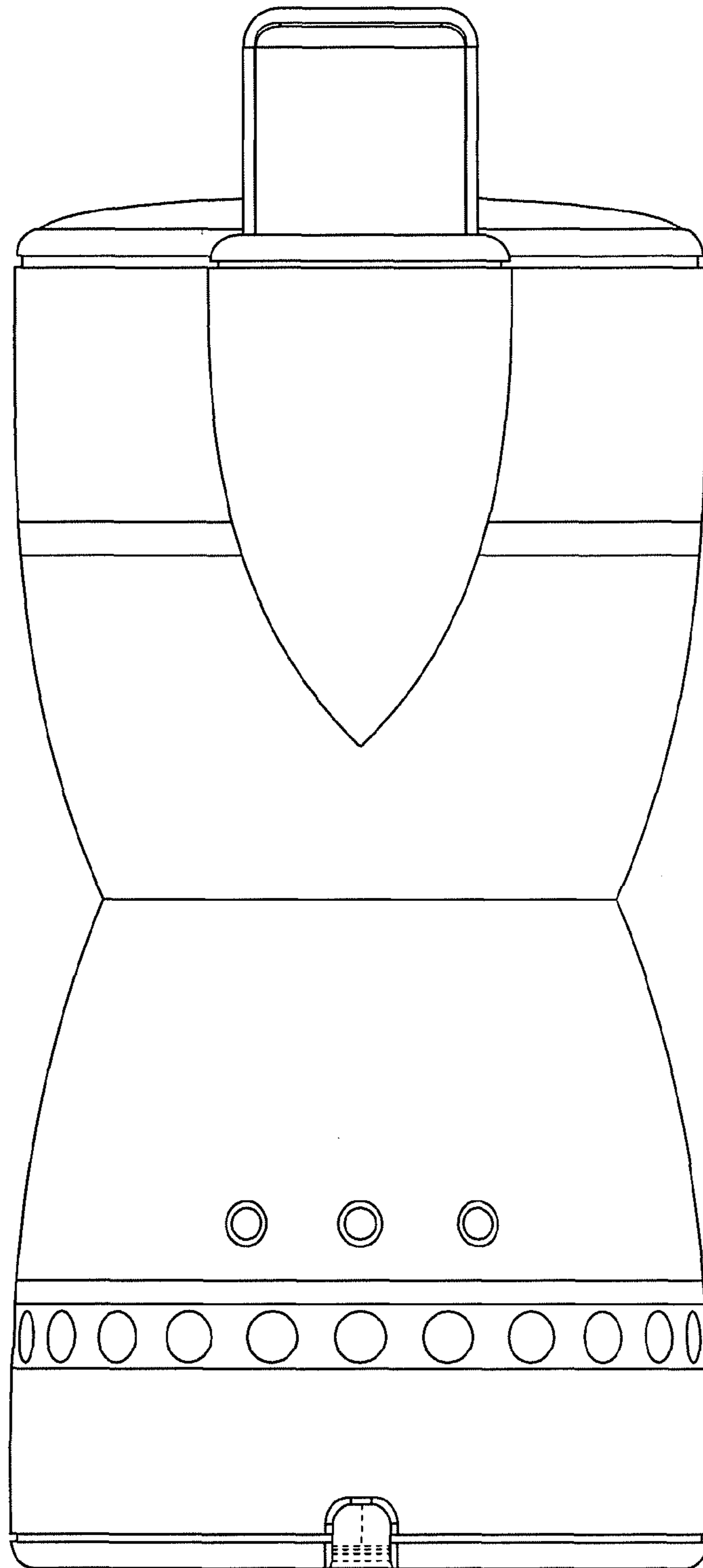
\* cited by examiner



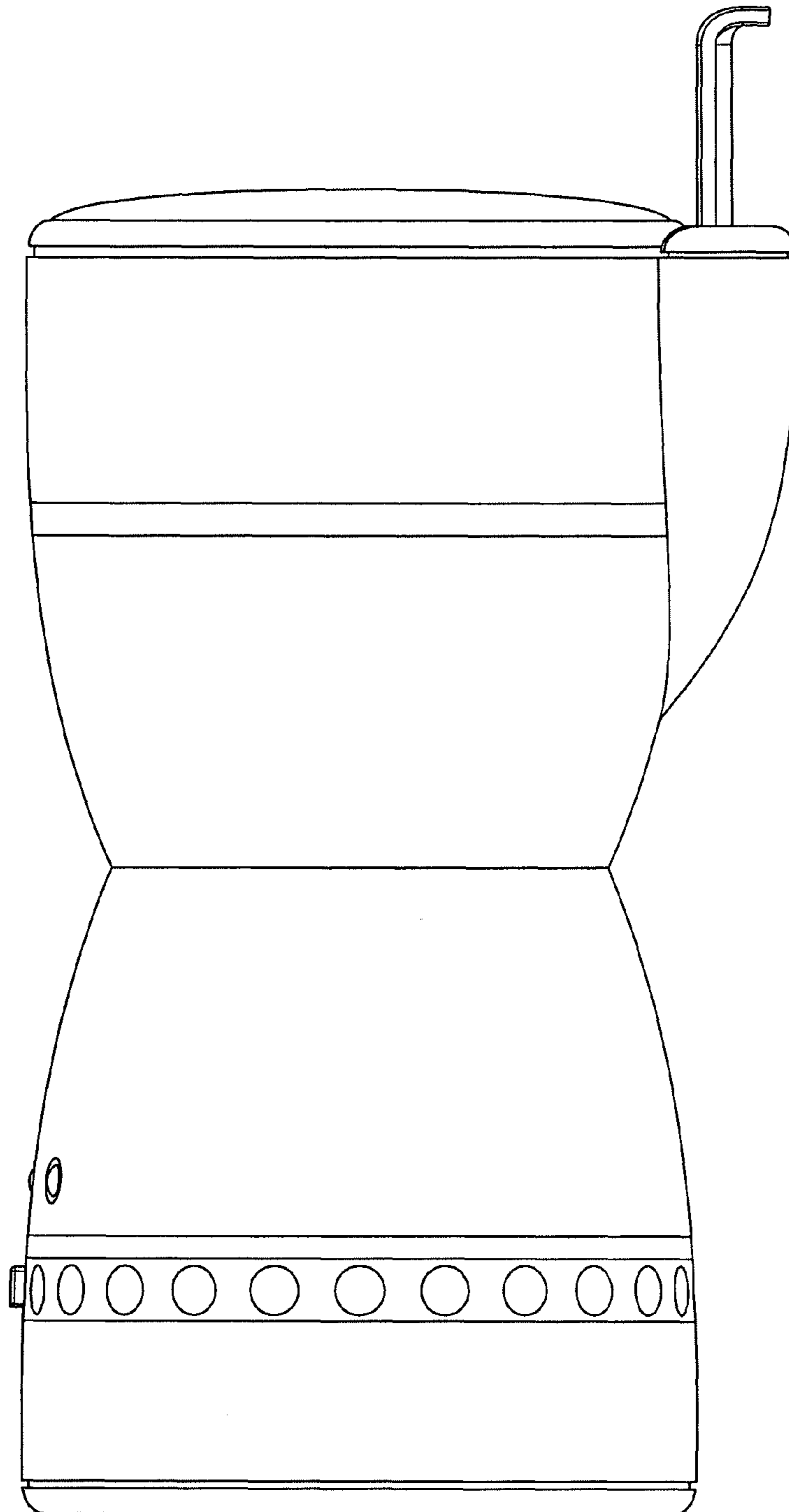
*FIG. 1*



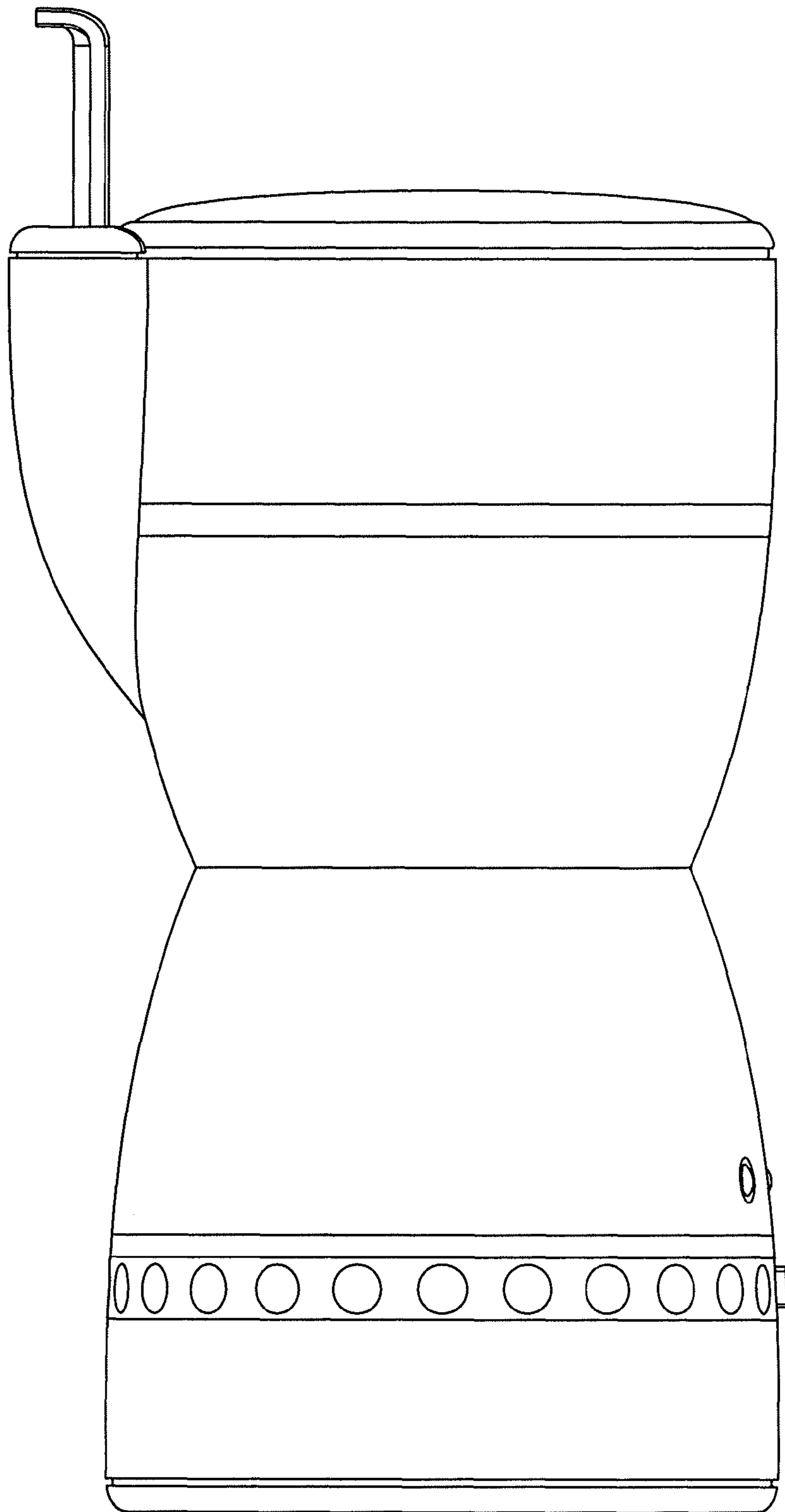
*FIG. 2*



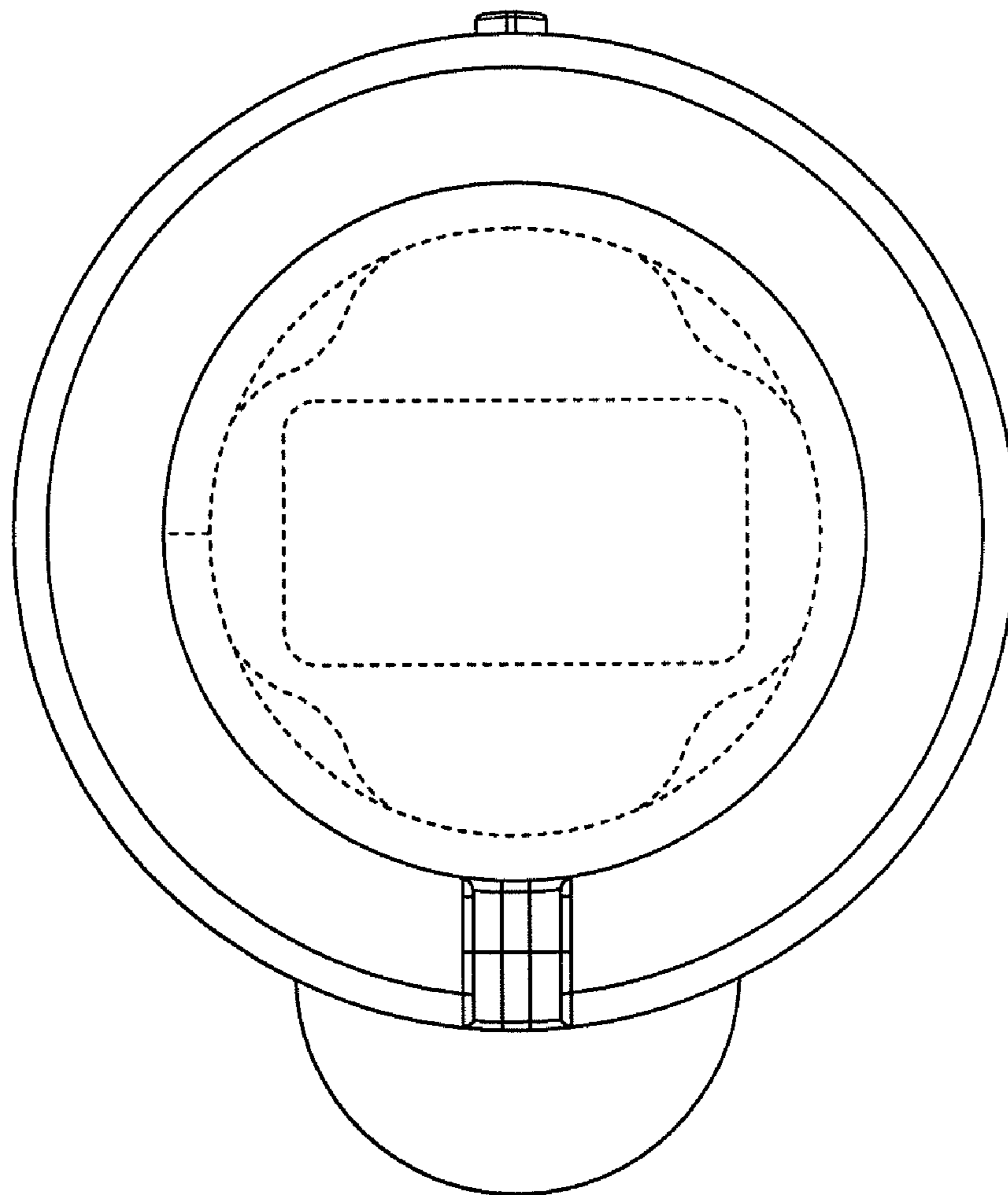
*FIG. 3*



*FIG. 4*

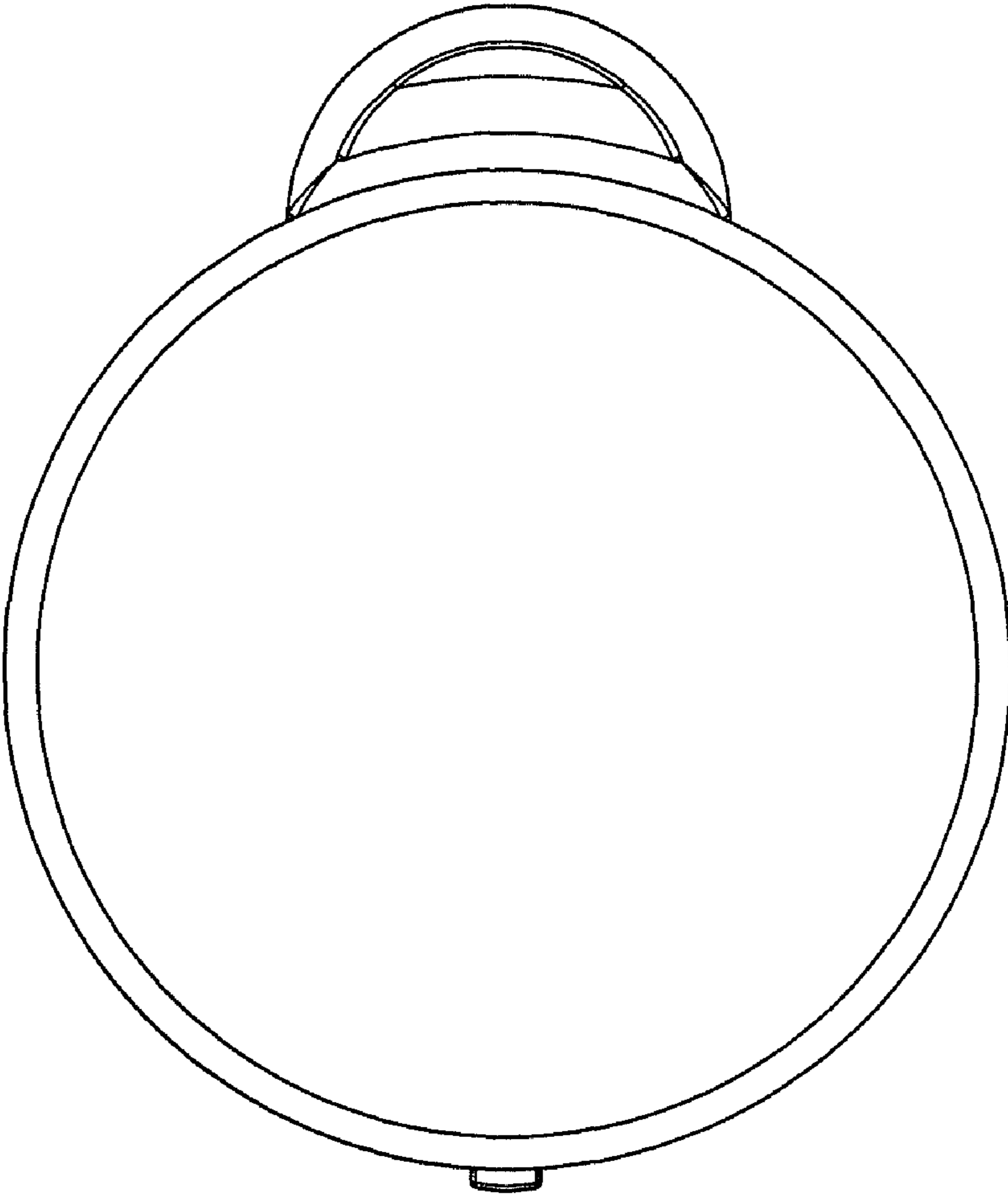


*FIG. 5*



*FIG. 6*





*FIG. 7*