



US00D628002S

(12) **United States Design Patent**  
**Leganczuk**

(10) **Patent No.:** **US D628,002 S**

(45) **Date of Patent:** **\*\* Nov. 30, 2010**

(54) **WINDOW SHADE**

(76) Inventor: **Matt Leganczuk**, 175 Bradley Crossing Rd., East Chatham, NY (US) 12060

(\*\*) Term: **14 Years**

(21) Appl. No.: **29/346,010**

(22) Filed: **Oct. 25, 2009**

(51) **LOC (9) Cl.** ..... **06-10**

(52) **U.S. Cl.** ..... **D6/575**

(58) **Field of Classification Search** ..... D6/575,  
D6/576, 577, 578, 579, 580, 581; 160/23.1,  
160/84.01, 84.04, 84.05, 84.06, 89, 107,  
160/111, 113, 115, 133, 166.1, 168.1 R, 178.1 R,  
160/179, 180, 181, 199, 230, 231.1, 237,  
160/295, 269, 279, 348; D5/52, 60; 408/105;  
139/424, 426 R; 296/95, 97, 141; D12/318;  
242/157, 384.7; 24/141, 142

See application file for complete search history.

(56) **References Cited**

**U.S. PATENT DOCUMENTS**

4,610,116	A	9/1986	Schulz	
4,973,253	A	11/1990	Shook	
5,462,105	A	10/1995	Supernak	
5,566,734	A	10/1996	Levy	
5,682,939	A	11/1997	Vargo	
D453,087	S *	1/2002	Møller	D6/575
D502,625	S *	3/2005	Smith et al.	D6/575
D530,965	S *	10/2006	Roberts	D6/575
D533,003	S *	12/2006	Yu et al.	D6/575
D549,027	S *	8/2007	Malkan et al.	D6/575

D590,196	S *	4/2009	Simmons	D6/575
D597,777	S *	8/2009	Millar et al.	D6/575
D602,296	S *	10/2009	Olesen et al.	D6/575

\* cited by examiner

*Primary Examiner*—Robert M Spear

*Assistant Examiner*—Barbara B Lohr

(74) *Attorney, Agent, or Firm*—KB Patents; Luca D'Ottone

(57) **CLAIM**

The ornamental design for a window shade, as shown and described.

**DESCRIPTION**

FIG. 1 is a front perspective view of the window shade of the present invention

FIG. 2 is a rear perspective view of the window shade of the present invention

FIG. 3 is a front perspective view of the window shade of the present invention

FIG. 4 is a right side perspective view of the window shade of the present invention

FIG. 5 is a left side perspective view of the window shade of the present invention

FIG. 6 is a top perspective view of the window shade of the present invention

FIG. 7 is a rear perspective view of the window shade of the present invention; and,

FIG. 8 is a back perspective view of the window shade of the present invention.

**1 Claim, 8 Drawing Sheets**

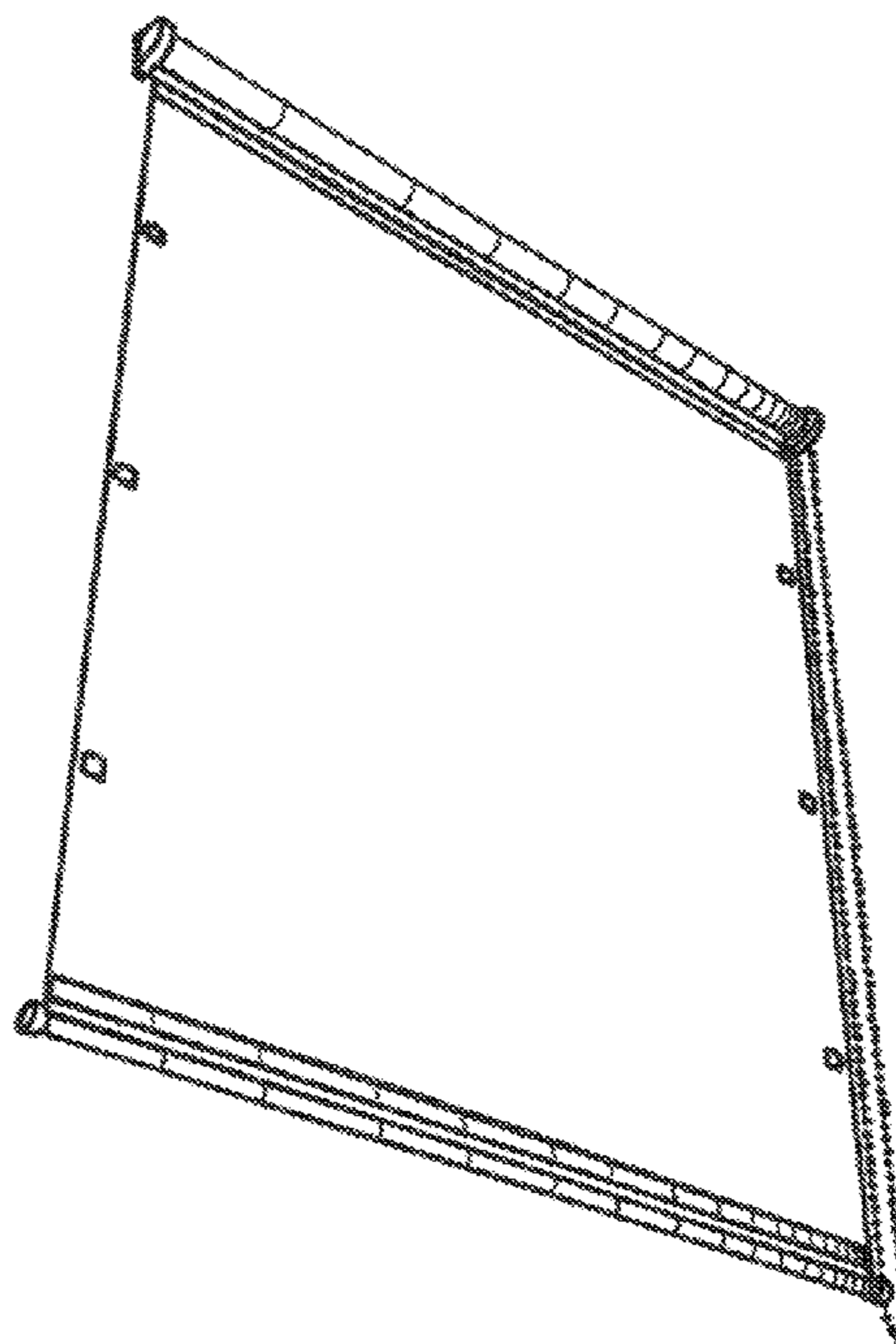


FIG. 1

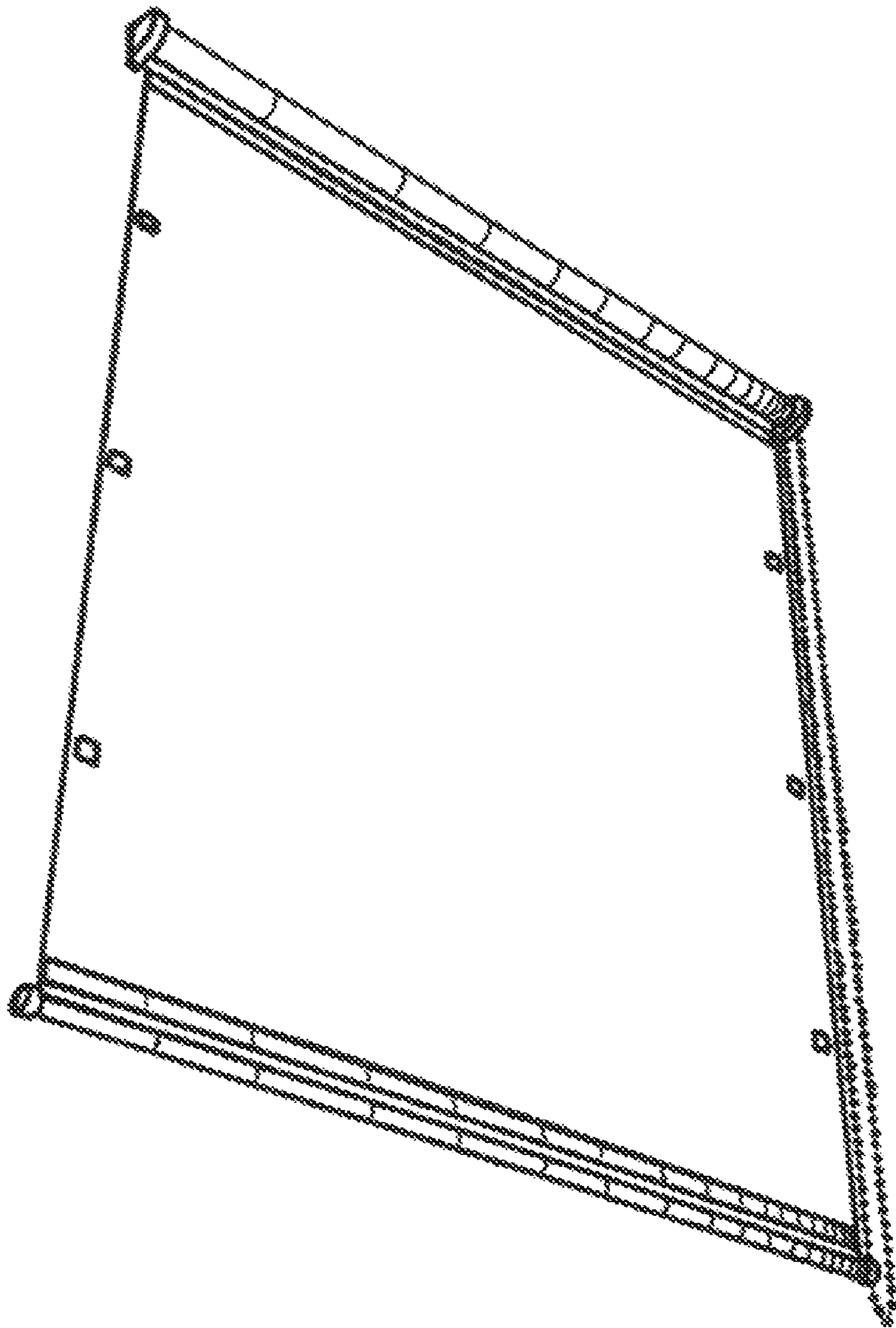


FIG. 2

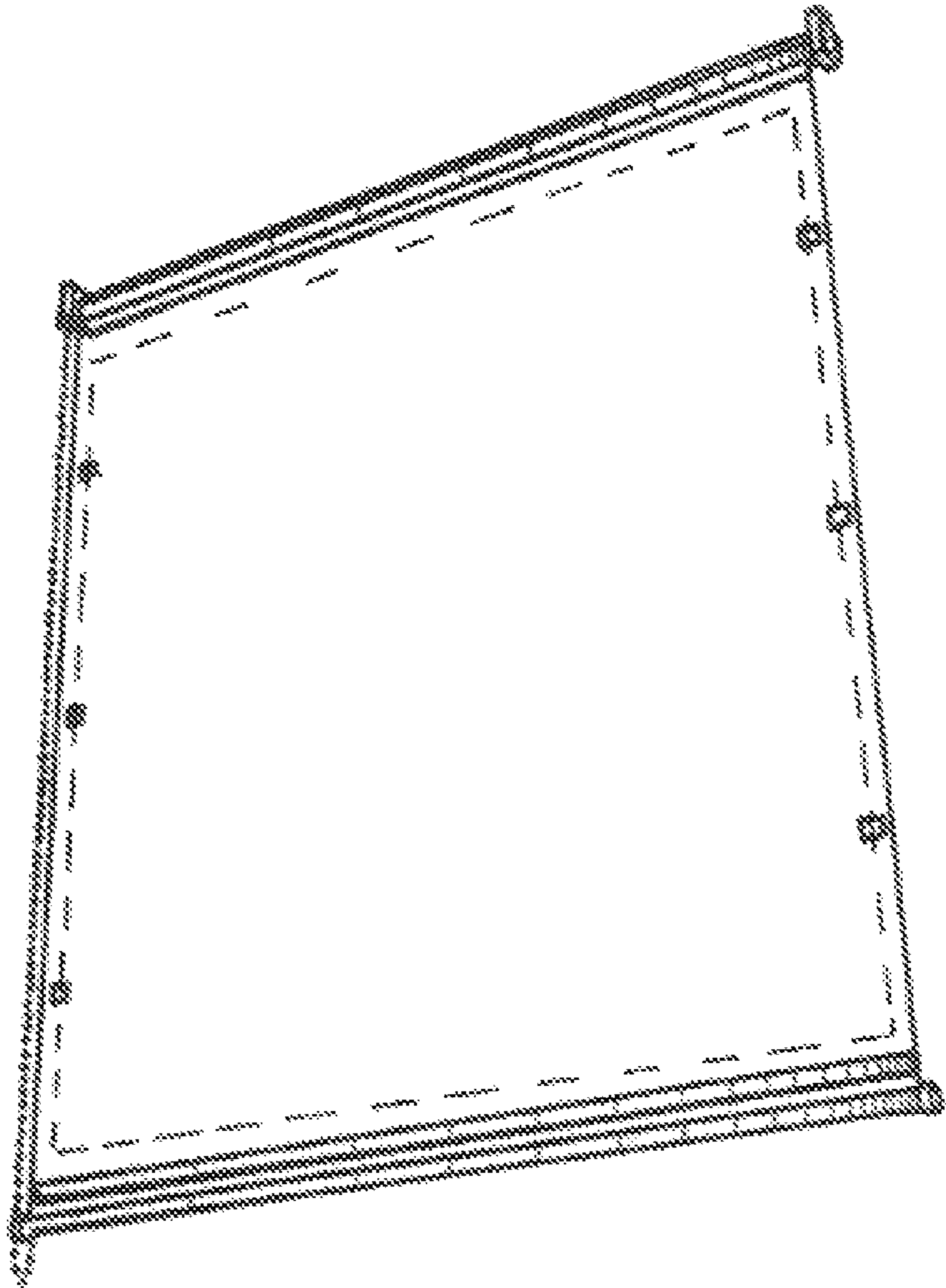


FIG. 3

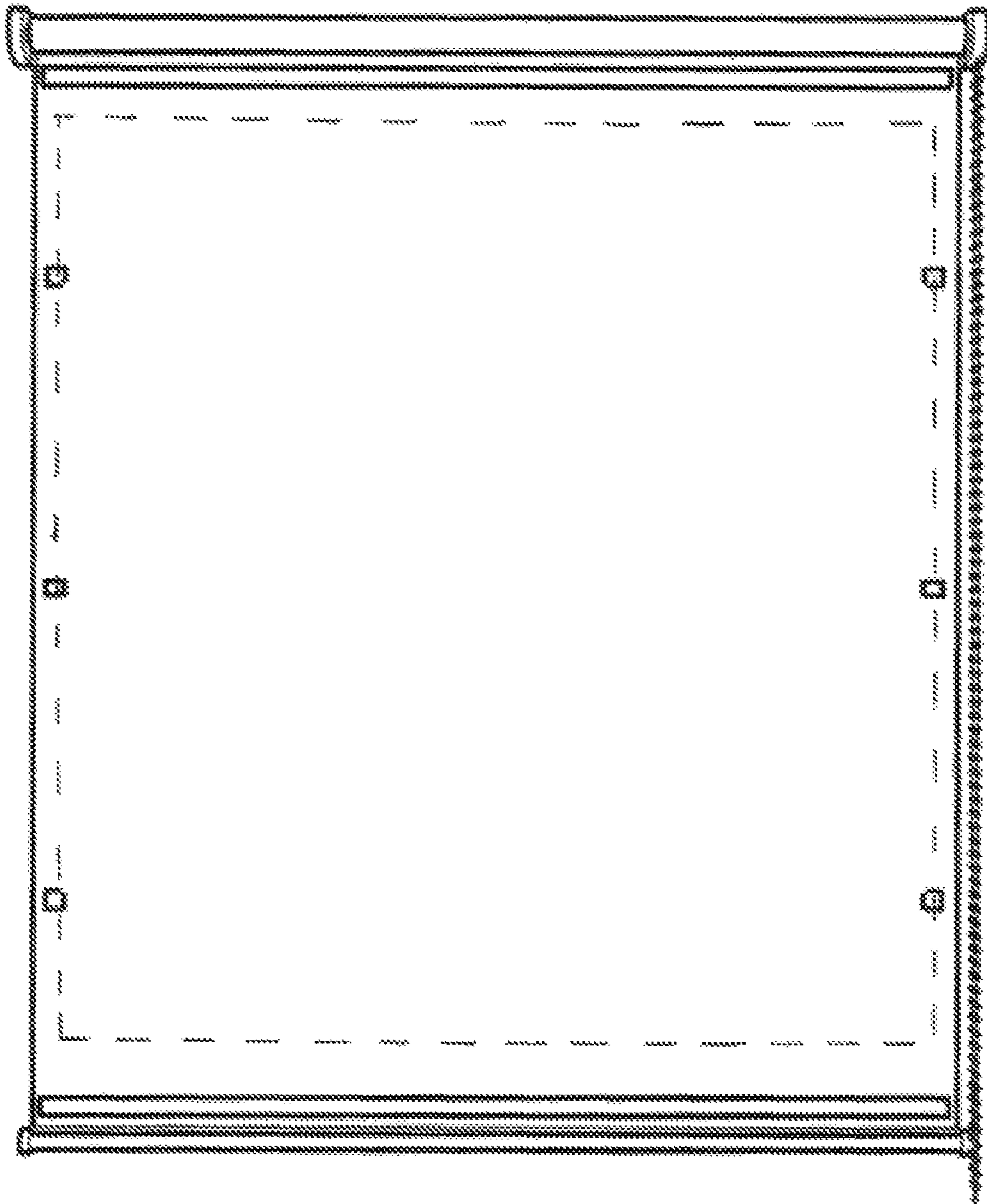


FIG. 4

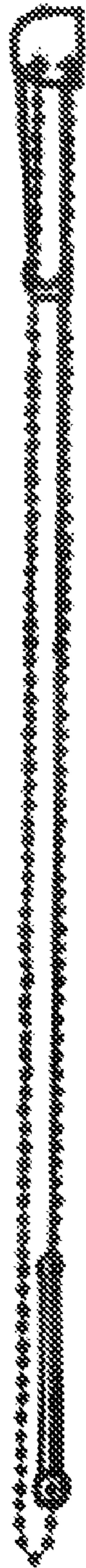
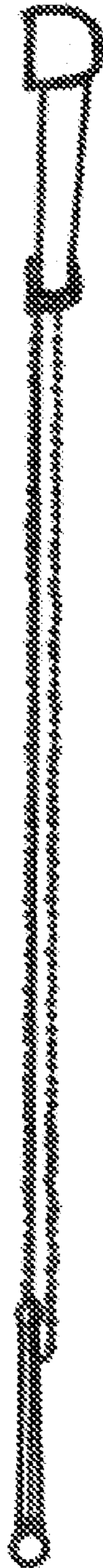


FIG. 5



**FIG. 6**

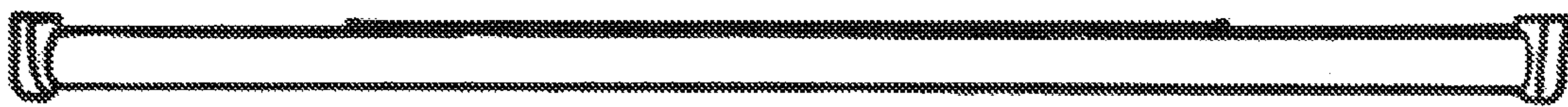


FIG. 7





FIG. 8

