

US00D627999S

(12) **United States Design Patent**
Bostle

(10) **Patent No.:** **US D627,999 S**

(45) **Date of Patent:** **** Nov. 30, 2010**

(54) **BATHROOM TISSUE HOLDER**

(76) Inventor: **Debra S. Bostle**, 3039 Montana Ave.,
Cincinnati, OH (US) 45211

(**) Term: **14 Years**

(21) Appl. No.: **29/348,355**

(22) Filed: **Dec. 24, 2009**

(51) **LOC (9) Cl.** **23-02**

(52) **U.S. Cl.** **D6/523**

(58) **Field of Classification Search** D6/515–524,
D6/546–550, 537; D8/300, 303, 315–321;
108/28–29; 211/13.1, 16, 60.1, 87.01, 88.01,
211/88.04, 100, 105.1, 105.2, 123, 181.1,
211/182, 44; 248/175, 176.1, 251, 302; 242/570,
242/590, 595–598, 560, 596.8, 598.1; D23/304
See application file for complete search history.

(56) **References Cited**

U.S. PATENT DOCUMENTS

1,217,147	A *	2/1917	Burwell	211/44
D56,254	S *	9/1920	Lee	D6/523
2,181,207	A *	11/1939	Sanford	242/598.1
2,678,184	A *	5/1954	Erdody	248/302
2,790,608	A *	4/1957	Sieven	242/596.8
4,427,159	A *	1/1984	Miller et al.	242/560
D307,666	S *	5/1990	Fisher	D6/519
5,529,260	A *	6/1996	Wirick	242/596.8

D427,829	S *	7/2000	Fleming	D6/523
D468,144	S *	1/2003	Shayo	D6/537
D507,045	S *	7/2005	Battiston	D23/304
D567,557	S *	4/2008	Snell	D6/523
D584,085	S *	1/2009	Hendrickson et al.	D6/546

* cited by examiner

Primary Examiner—Brian N Vinson

(74) *Attorney, Agent, or Firm*—Neal O. Willmann

(57) **CLAIM**

The ornamental design for the bathroom tissue holder, as shown and described.

DESCRIPTION

FIG. 1 is a perspective view of a bathroom tissue holder showing my new design;

FIG. 2 is a front side elevational view thereof;

FIG. 3 is a back side elevational view thereof;

FIG. 4 is a top plan view thereof;

FIG. 5 is a right side elevational view thereof, the left side being a mirror image; and,

FIG. 6 is a bottom plan view thereof.

The broken-line disclosure of the fragmentary rod element and toilet roll are shown for illustrative purposes only and form no part of the claimed design.

1 Claim, 2 Drawing Sheets

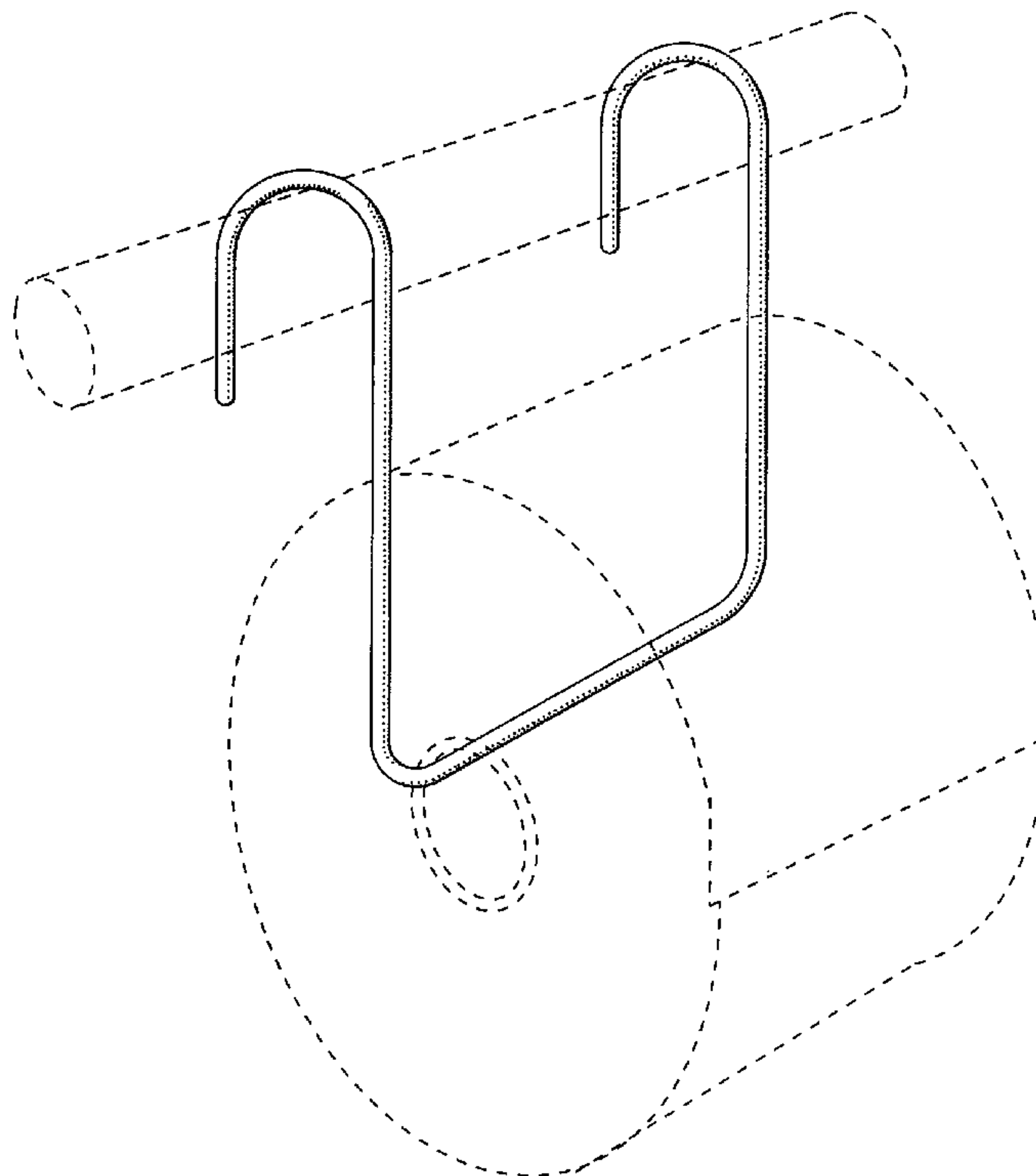


Fig. 1

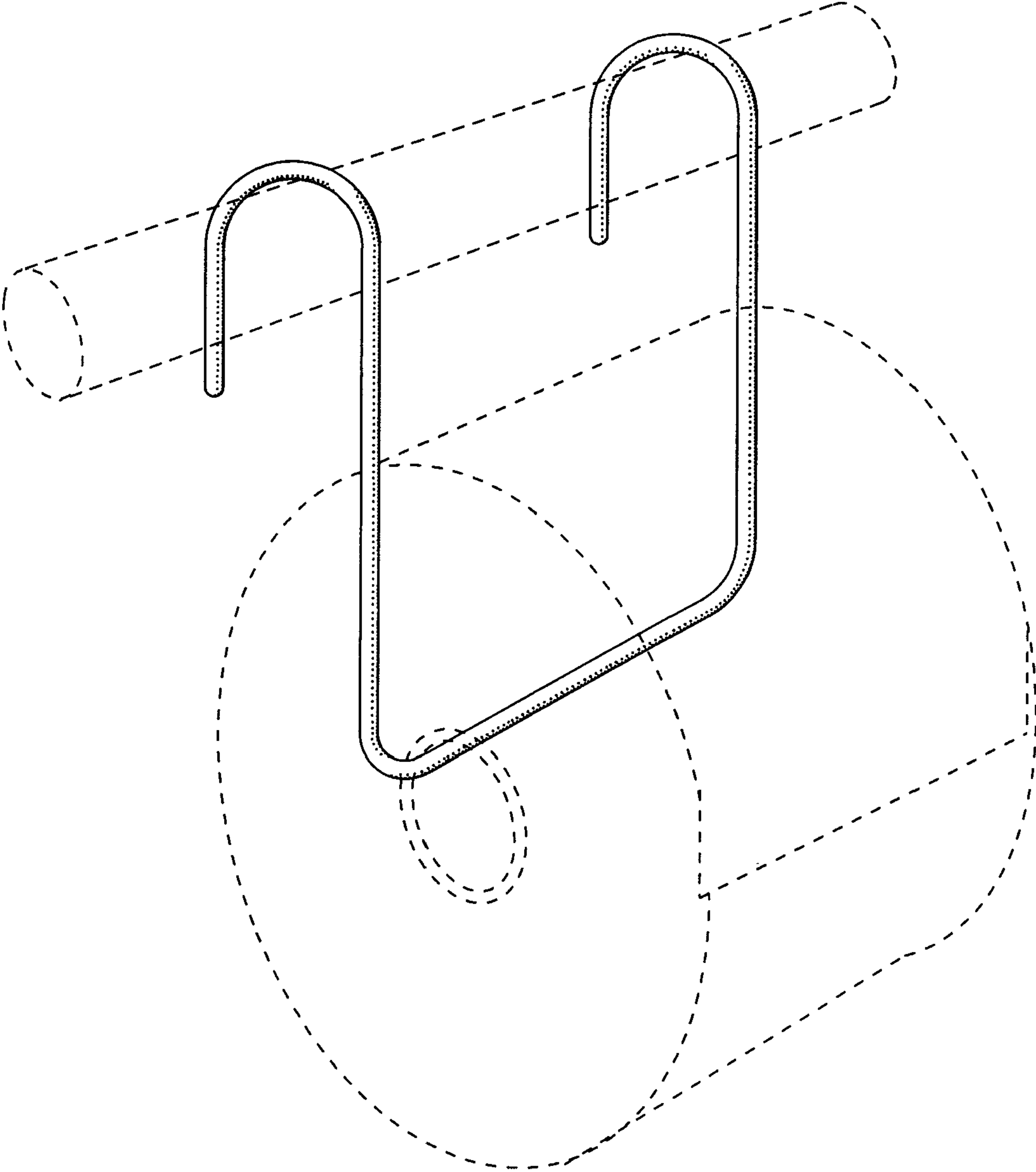


Fig. 4

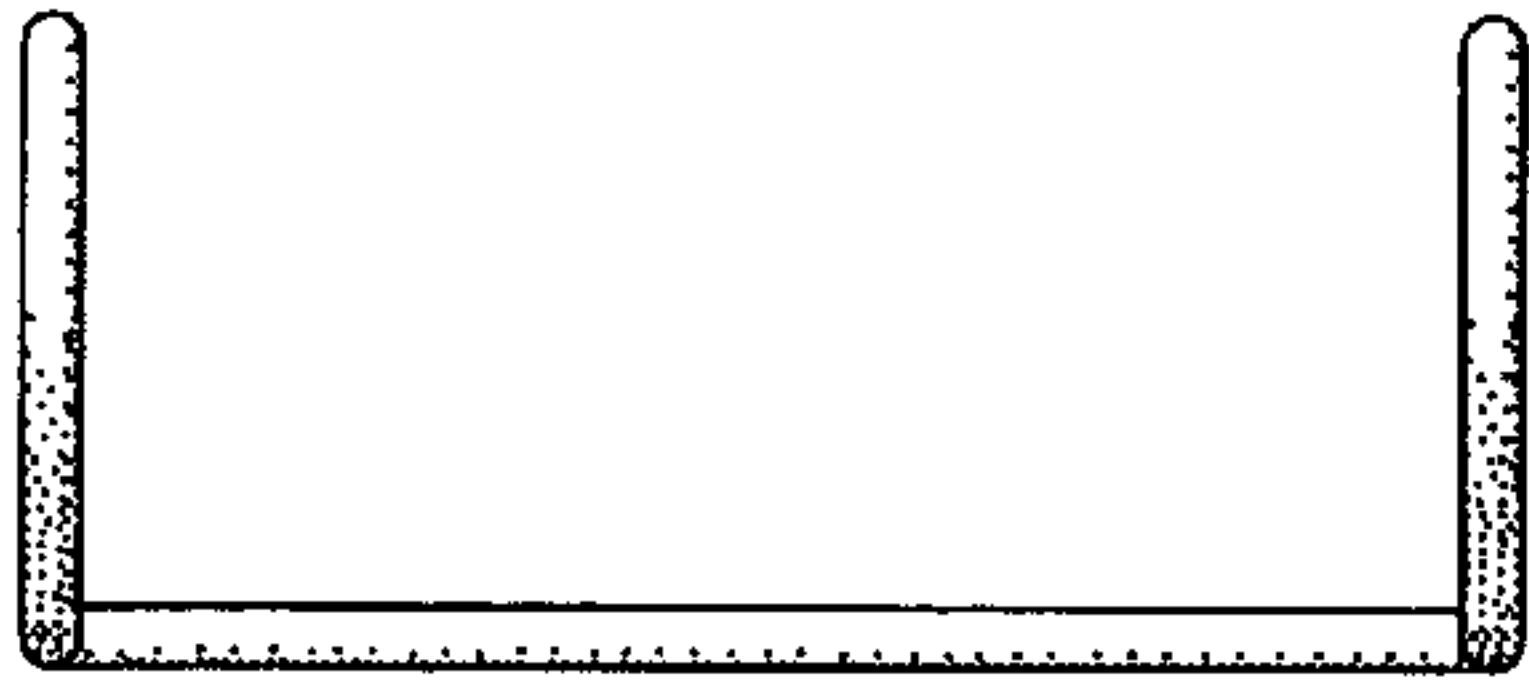


Fig. 2

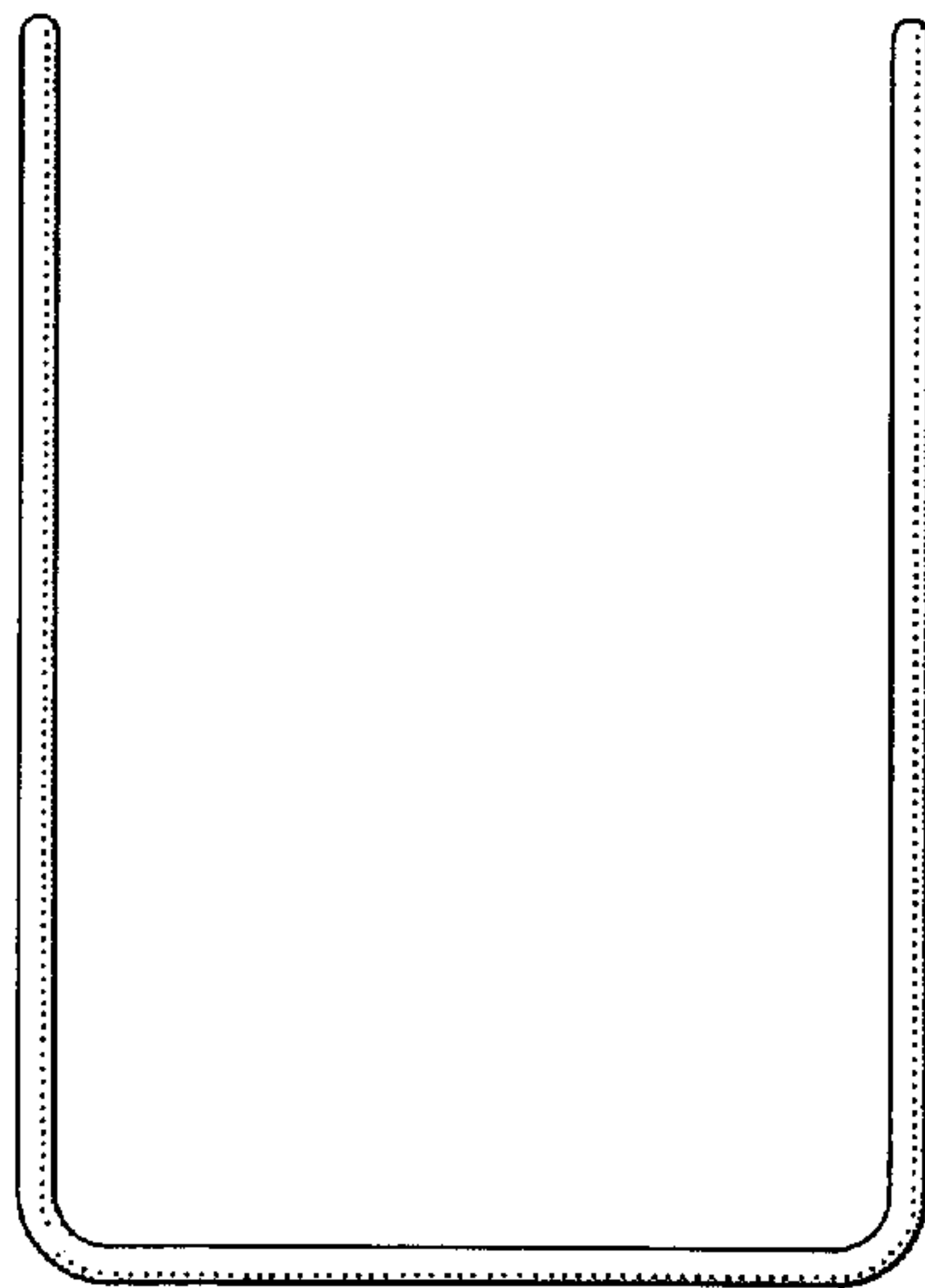


Fig. 3

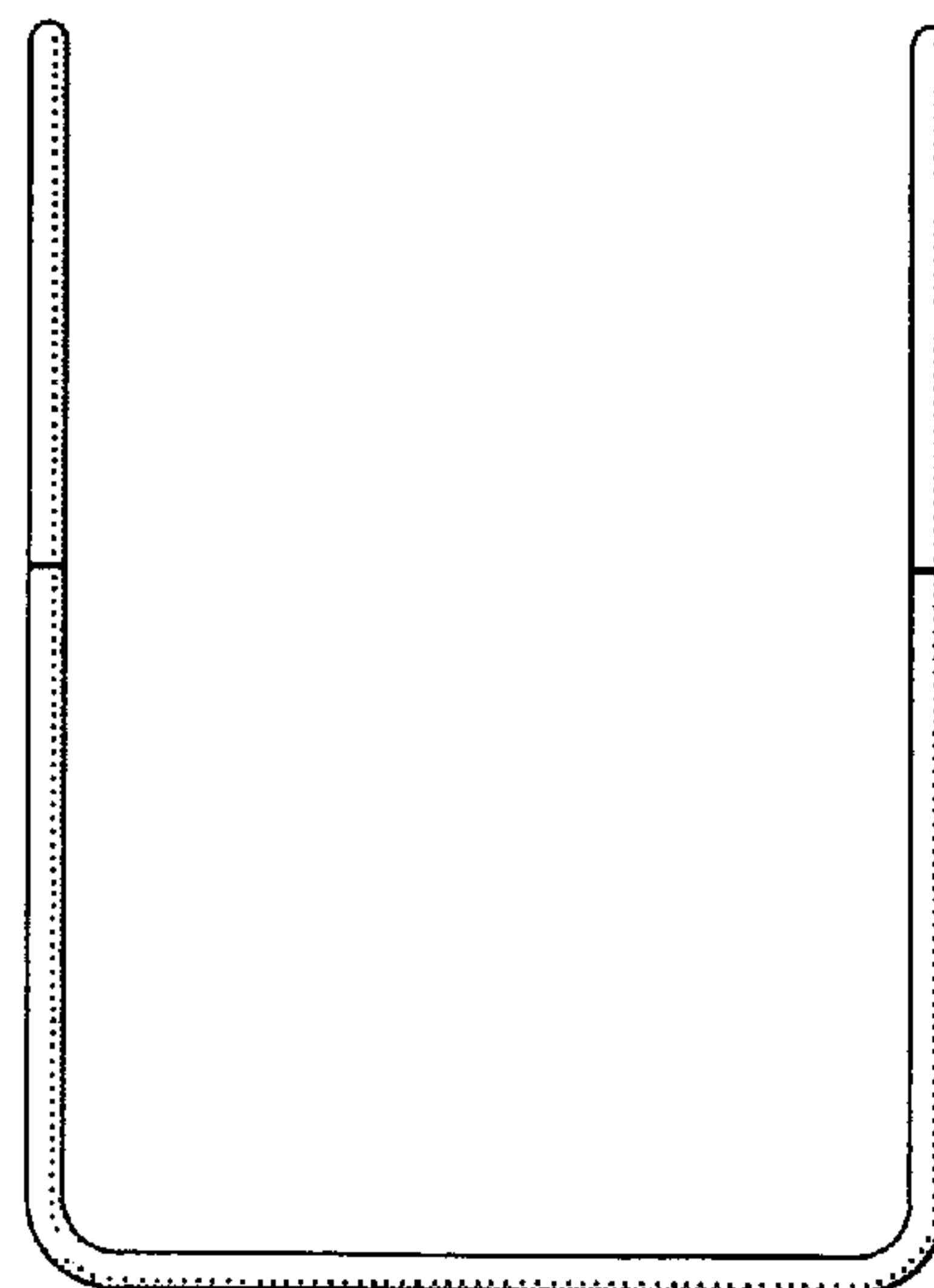


Fig. 5

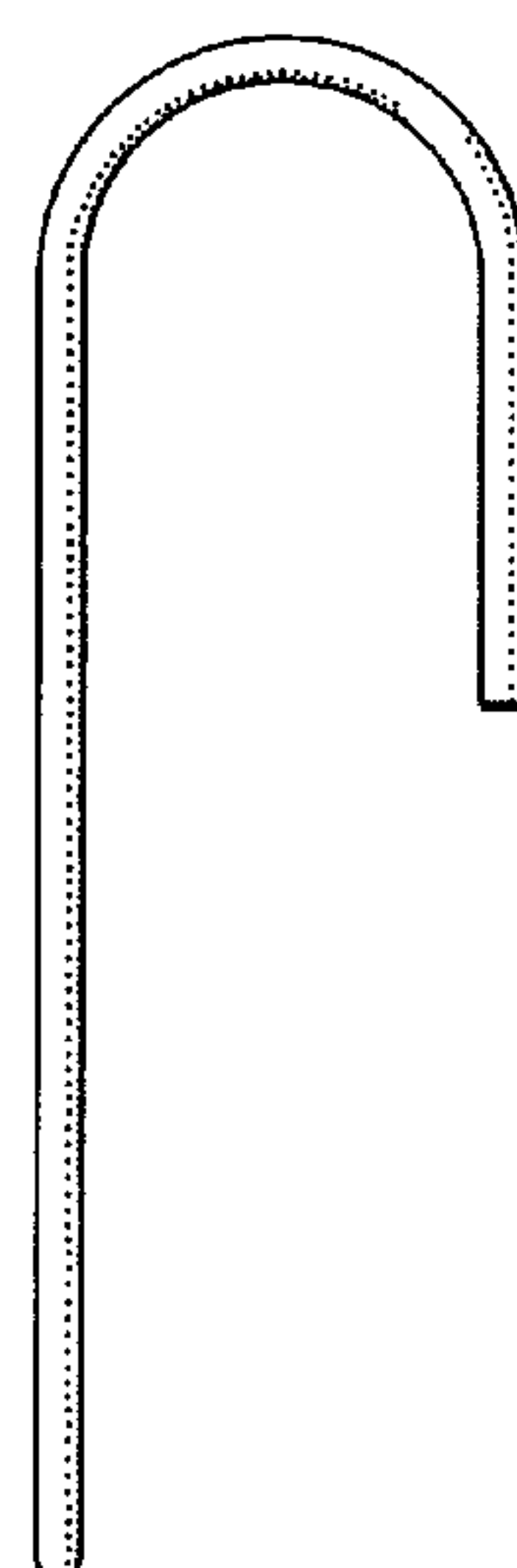


Fig. 6

