



US00D627998S

(12) **United States Design Patent**
Yang et al.

(10) **Patent No.:** **US D627,998 S**

(45) **Date of Patent:** **** Nov. 30, 2010**

(54) **TISSUE BOX COVER**

D523,669 S * 6/2006 Wieser et al. D6/518
D564,812 S * 3/2008 Tomic et al. D6/518

(75) Inventors: **Frank Yang**, Rancho Palos Verdes, CA (US); **Tzu-Hao Wei**, Hacienda Heights, CA (US); **Adam Wade**, Rancho Santa Margarita, CA (US); **Myk Lum**, Irvine, CA (US)

* cited by examiner

Primary Examiner—Brian N Vinson

(73) Assignee: **simplehuman, LLC**, Torrance, CA (US)

(57) **CLAIM**

(**) Term: **14 Years**

The ornamental design for a tissue box cover, as shown and described.

(21) Appl. No.: **29/333,995**

DESCRIPTION

(22) Filed: **Mar. 18, 2009**

FIG. 1 is a front view of a tissue box cover showing our new design;

(51) **LOC (9) Cl.** **20-02**

FIG. 2 is a rear view thereof;

(52) **U.S. Cl.** **D6/518**

FIG. 3 is a top view thereof;

(58) **Field of Classification Search** D6/515–523;
206/225, 233, 389, 391; 211/13.1, 45; 242/570,
242/590; 248/309.1, 309.2, 905; 221/26,
221/33, 282–283; 222/173, 180

FIG. 4 is a bottom view thereof;

See application file for complete search history.

FIG. 5 is a right view thereof; and,

FIG. 6 is a right perspective view thereof.

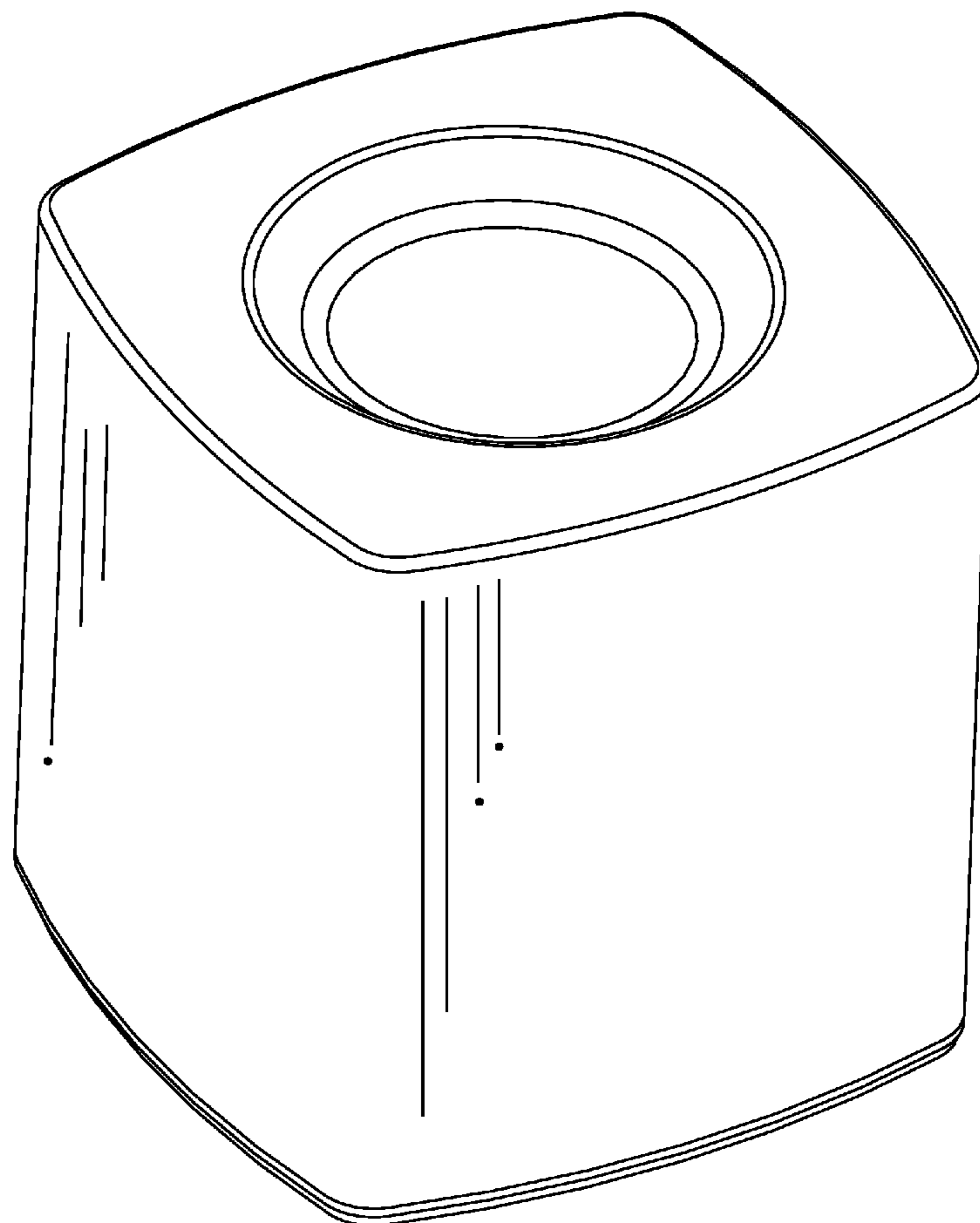
(56) **References Cited**

The broken-line disclosure in the views is understood to represent portions of the article in which the claimed design is embodied, but which forms no part of the claimed design.

U.S. PATENT DOCUMENTS

D371,708 S * 7/1996 Haley et al. D6/518
D372,386 S * 8/1996 Kuchenbecker D6/518

1 Claim, 6 Drawing Sheets



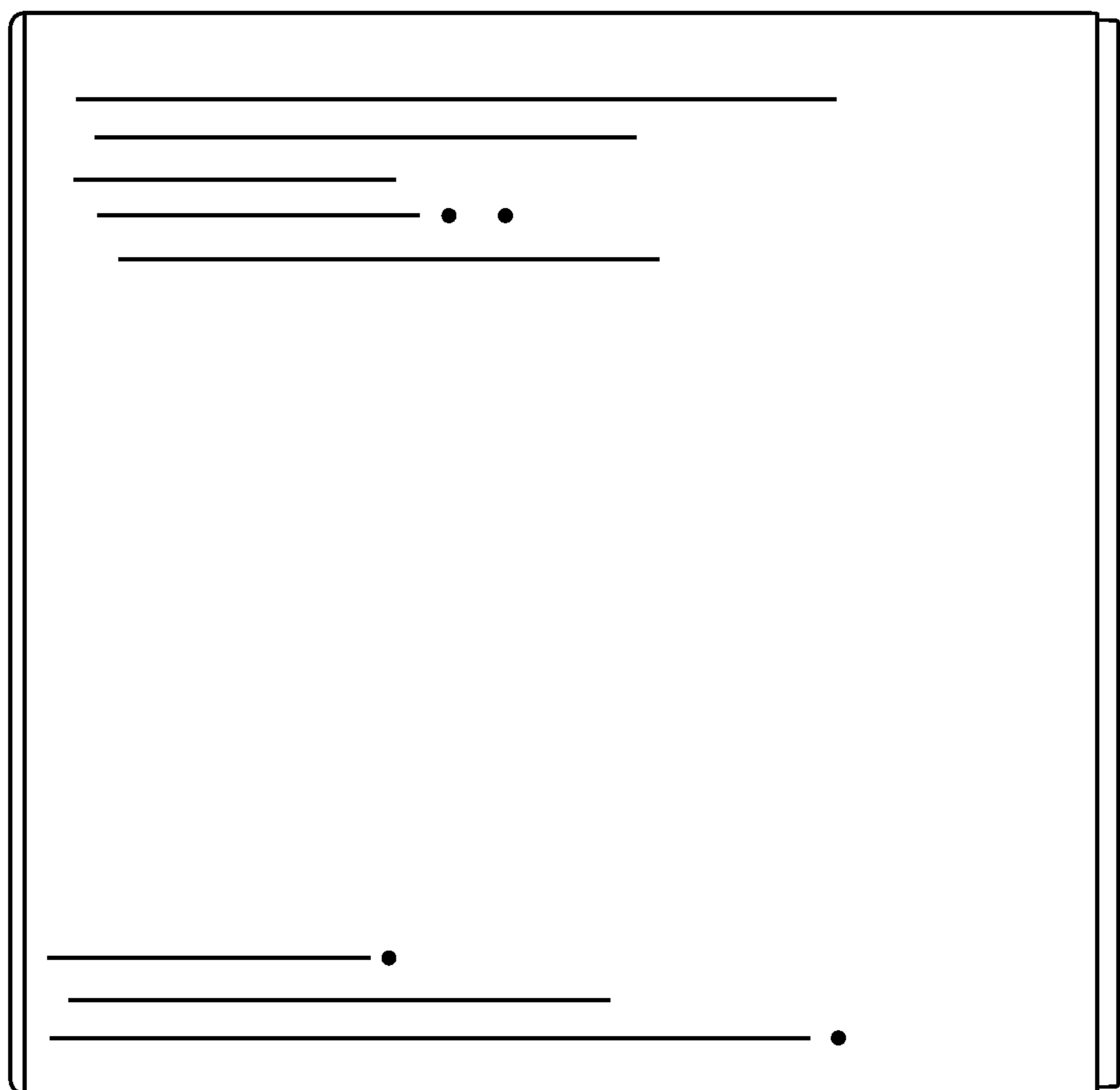


FIG. 1

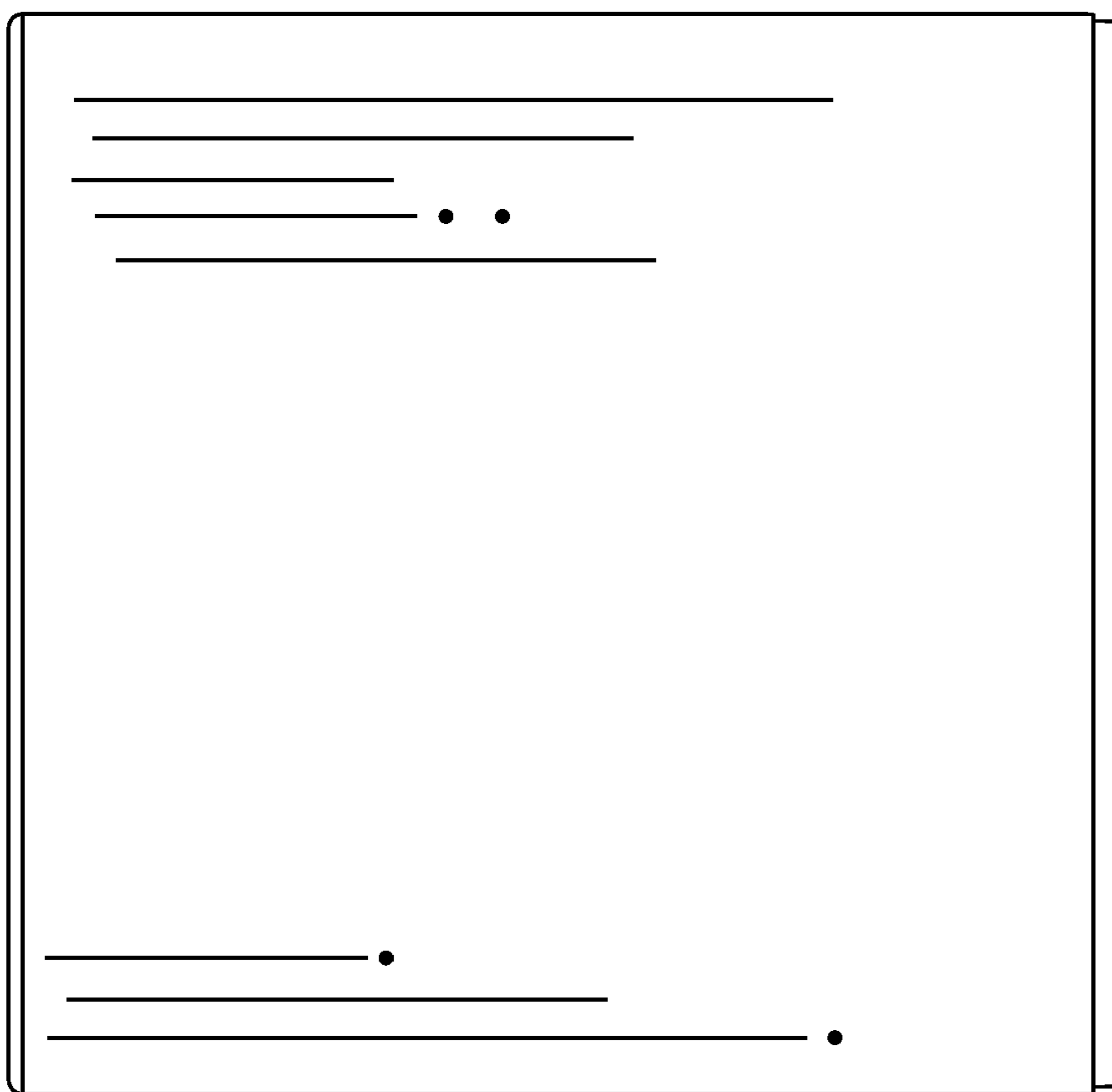


FIG. 2

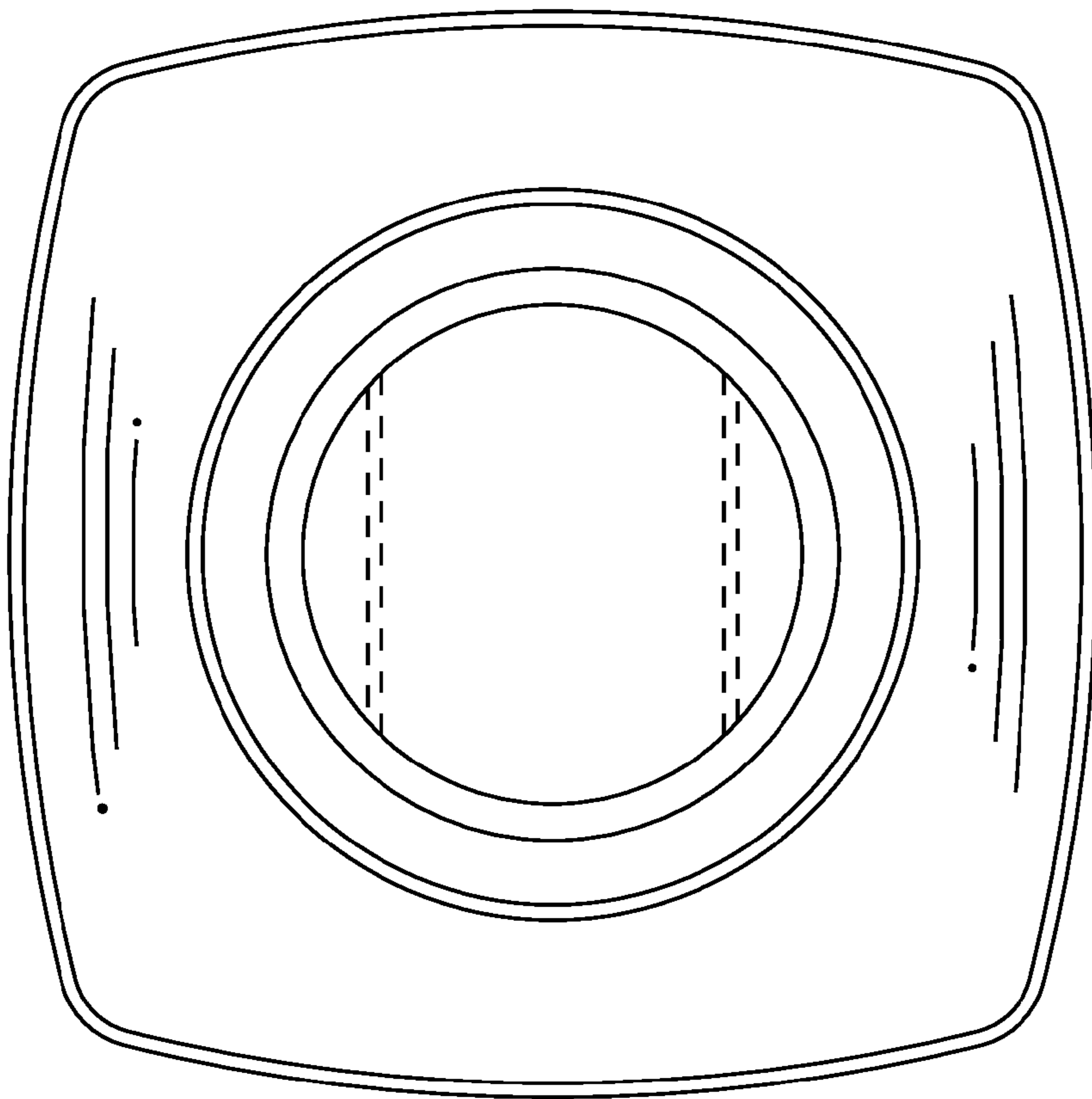


FIG. 3

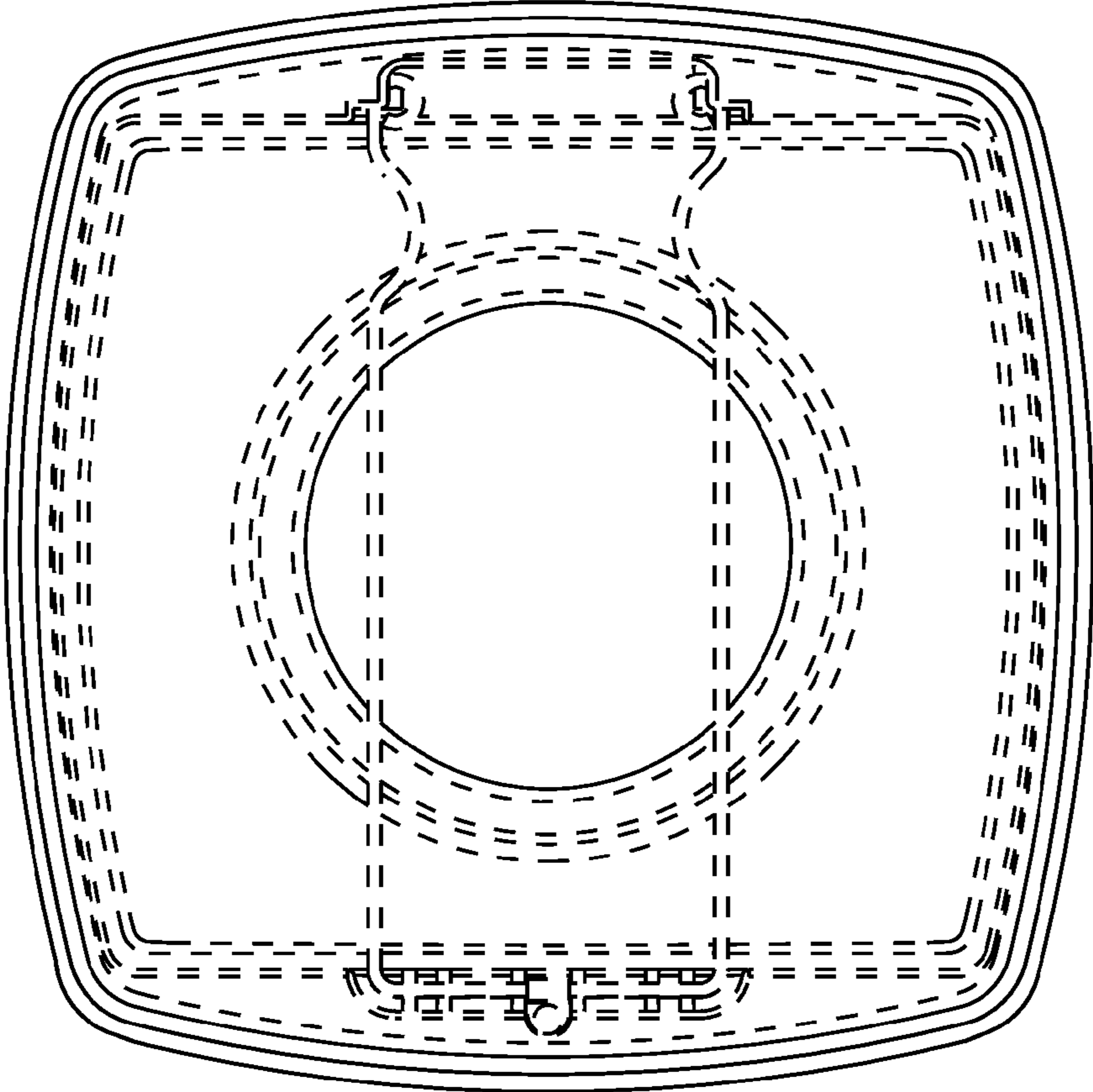


FIG. 4

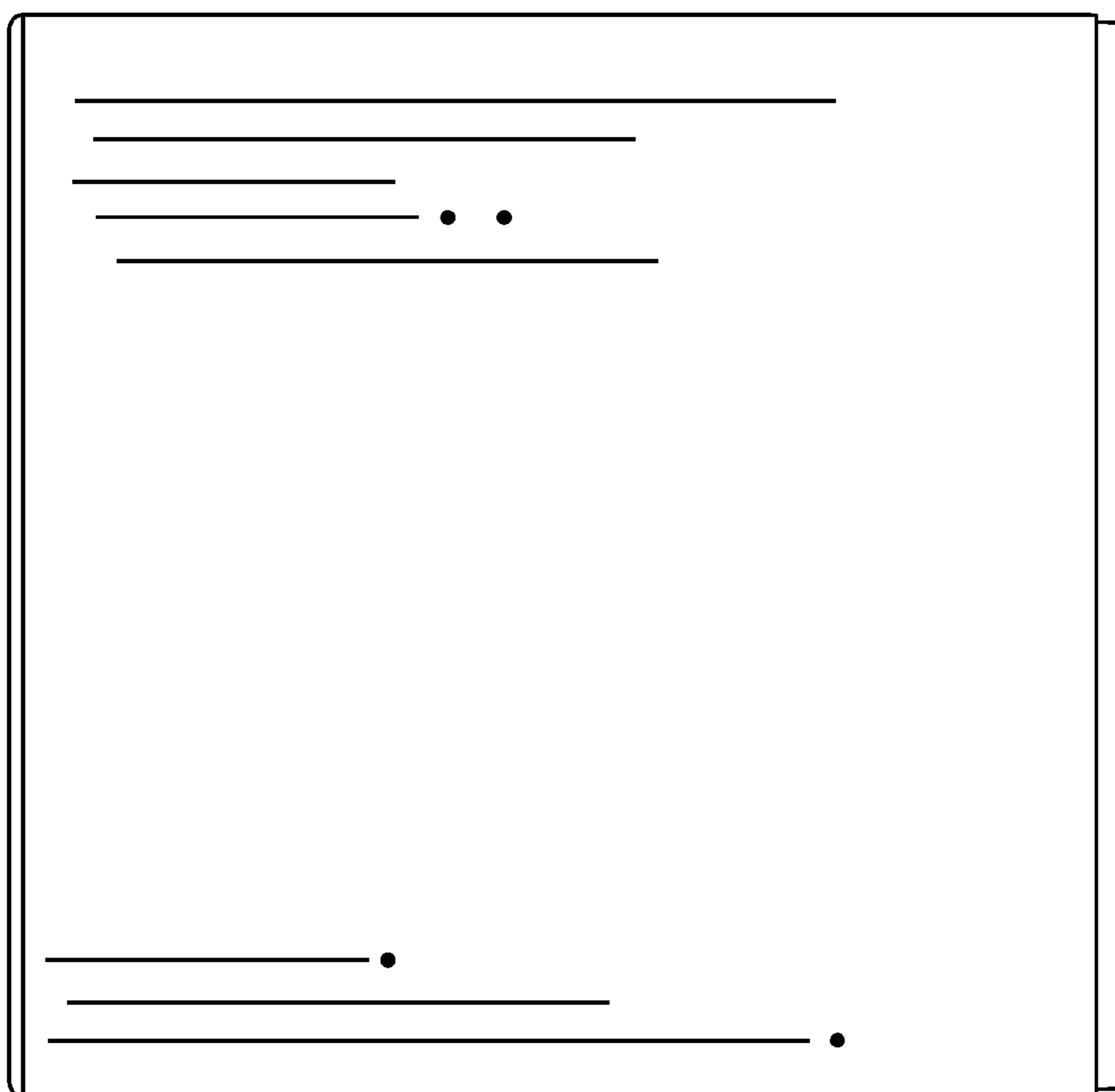


FIG. 5

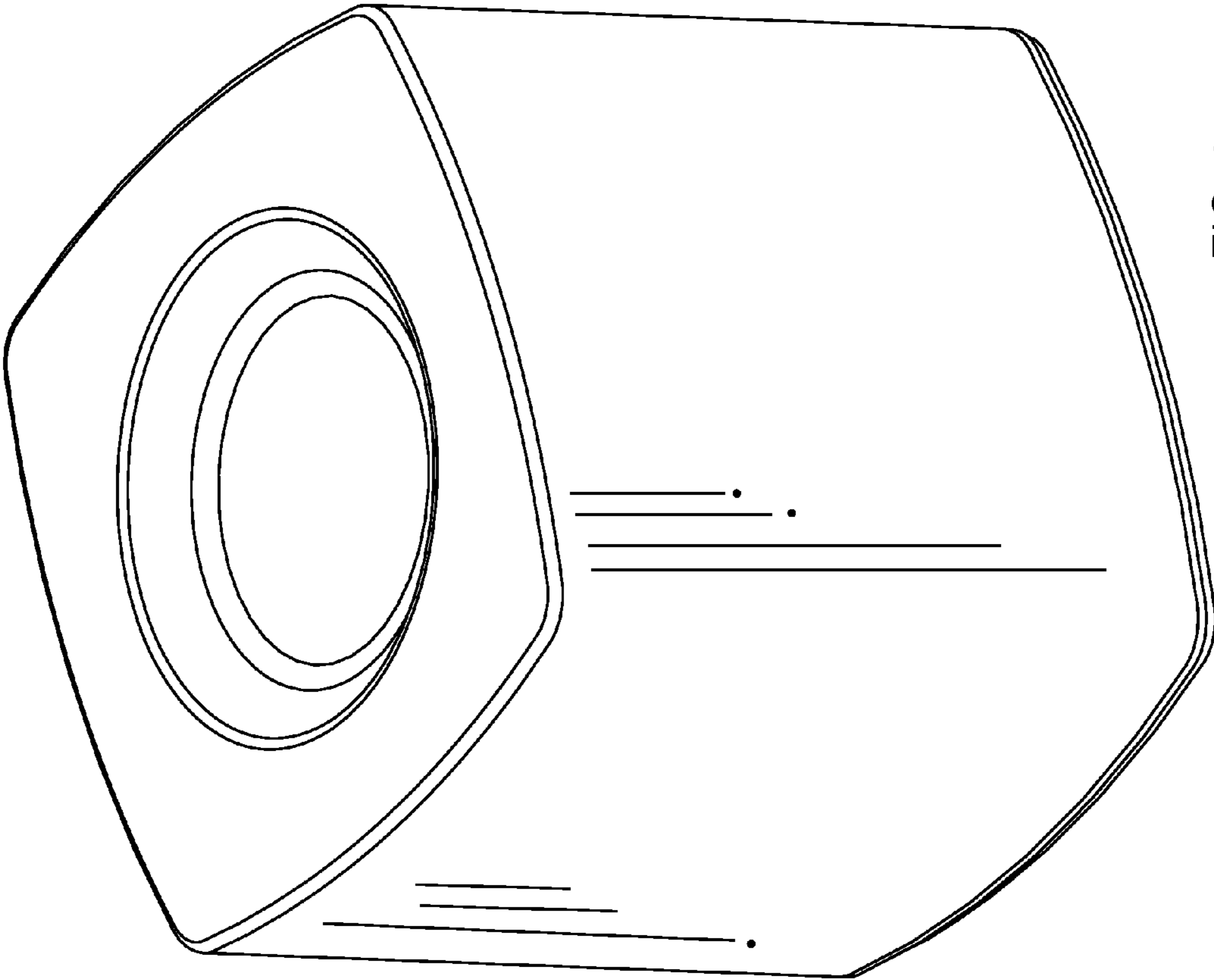


FIG. 6